

AXOR Starck Organic
2-handle basin mixer 80 without pull-rod
 Surfaces: **Chrome** Article Number: **12011000**



Description

product features

- ComfortZone 80
- projection 116 mm
- shower spray
- swiveling spray former
- flow rate at 3 bar: 3.5 l/min
- flow rate booster: 5 l/min
- ceramic cartridge for temperature control
- ceramic valve for volume control
- temperature limitation adjustable
- separation of temperature and volume control
- with isolated water conduction
- suitable for continuous flow water heaters
- non-closing flush grated valve
- connection dimension: DN15

Technology

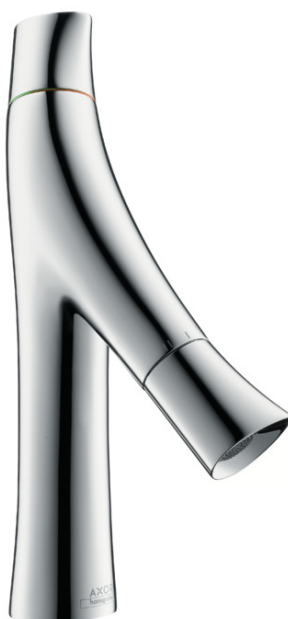


Design awards

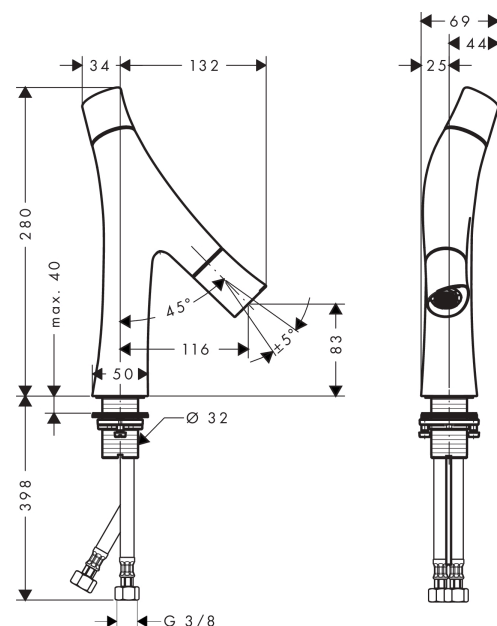


reddot design award
 best of the best 2013

Product image



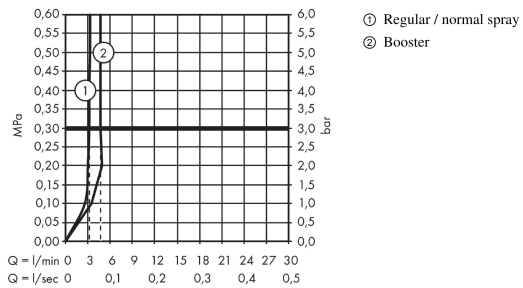
Scale drawing



AXOR Starck Organic
2-handle basin mixer 80 without pull-rod
 Surfaces: **Chrome** Article Number: **12011000**



Flowchart

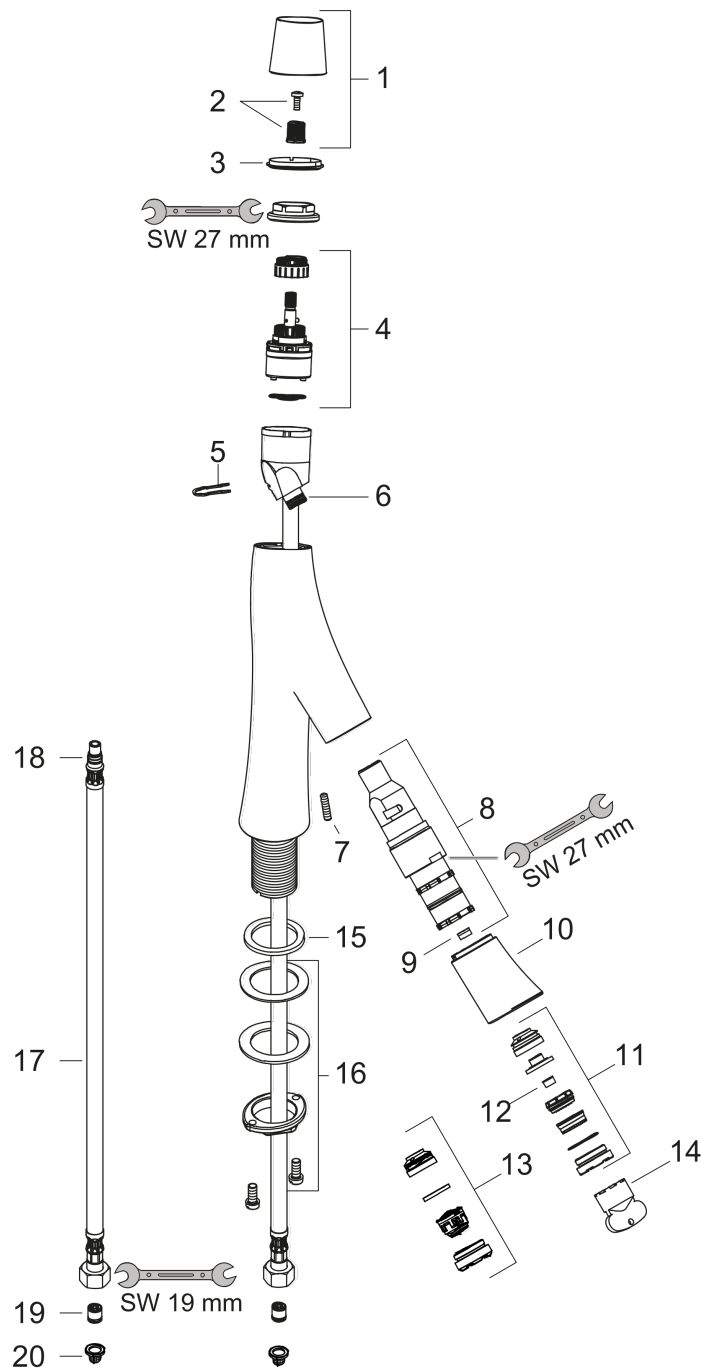


AXOR Starck Organic
2-handle basin mixer 80 without pull-rod
 Surfaces: **Chrome** Article Number: **12011000**



Exploded Drawing

Year of production: >11/12



AXOR Starck Organic
2-handle basin mixer 80 without pull-rod
 Surfaces: **Chrome** Article Number: **12011000**



Spare part list

Year of production: >11/12

Pos.	Description	Article Number	PC	PU
1	handle	98296000	0	1
2	handle fixing set	98932000	0	1
3	color-ring cold / hot water	98304000	0	1
4	cartridge, assy	98303000	0	1
5	cramp	98403000	0	1
6	O-ring 11x1,5	98385000	0	1
7	hollow set screw M5x16	98404000	0	1
8	shut off cartridge	98301000	0	1
9	flow limiter (3,5 l/min)	98405000	0	1
10	spout cpl.	98297000	0	1
11	spray former	98299000	0	1
12	flow limiter (5 l/min)	95311000	0	1
13	aerator M24x1 (7 l/min)	98300000	0	1
14	special tool	95158000	0	1
15	flat seal	98749000	0	1
16	fixing set (Ø 32)	13961000	0	1
17	connection hose 600 mm M8x0,75 G3/8	95664000	0	1
18	O-ring 7x1,5	98422000	0	1
19	non return valve DW 10	96456000	0	1
20	filter packing	95291000	0	1
a	fixation extension 35 mm	13898000	0	1