

AXOR Citterio E
Shower module 120/120 for concealed installation softsquare
 Surfaces: Article Number: **36822000**



product features

- shower head size: 120 mm
- spray type: Rain
- spray angle adjustable in five steps
- field of application: functions as overhead, shoulder or side shower
- maximum flow rate at 3 bar: 5,3 l/min
- flow rate Rain spray (at 3 bar): 5,3 l/min
- minimum flow pressure: 1 bar
- connection thread: G ½
- in a joined installation (10 mm distance) the use of basic set no.28486180 is recommended
- if installed as an overhead shower with several joint modules, the use of installation aid no.28470180 is recommended
- in a freely arranged installation, connection via a G ½ connecting thread is possible
- suitable for continuous flow water heaters
- connection dimension: DN15
- material: metal

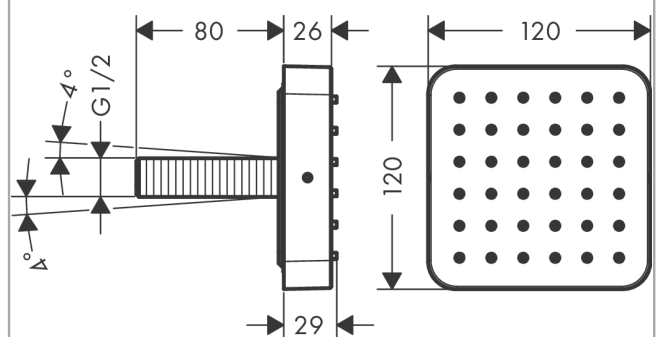
Technology



Product image



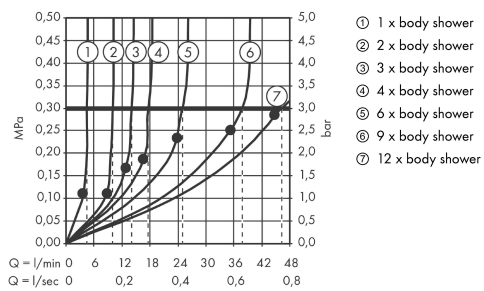
Scale drawing



AXOR Citterio E
Shower module 120/120 for concealed installation softsquare
 Surfaces: Article Number: **36822000**



Flowchart

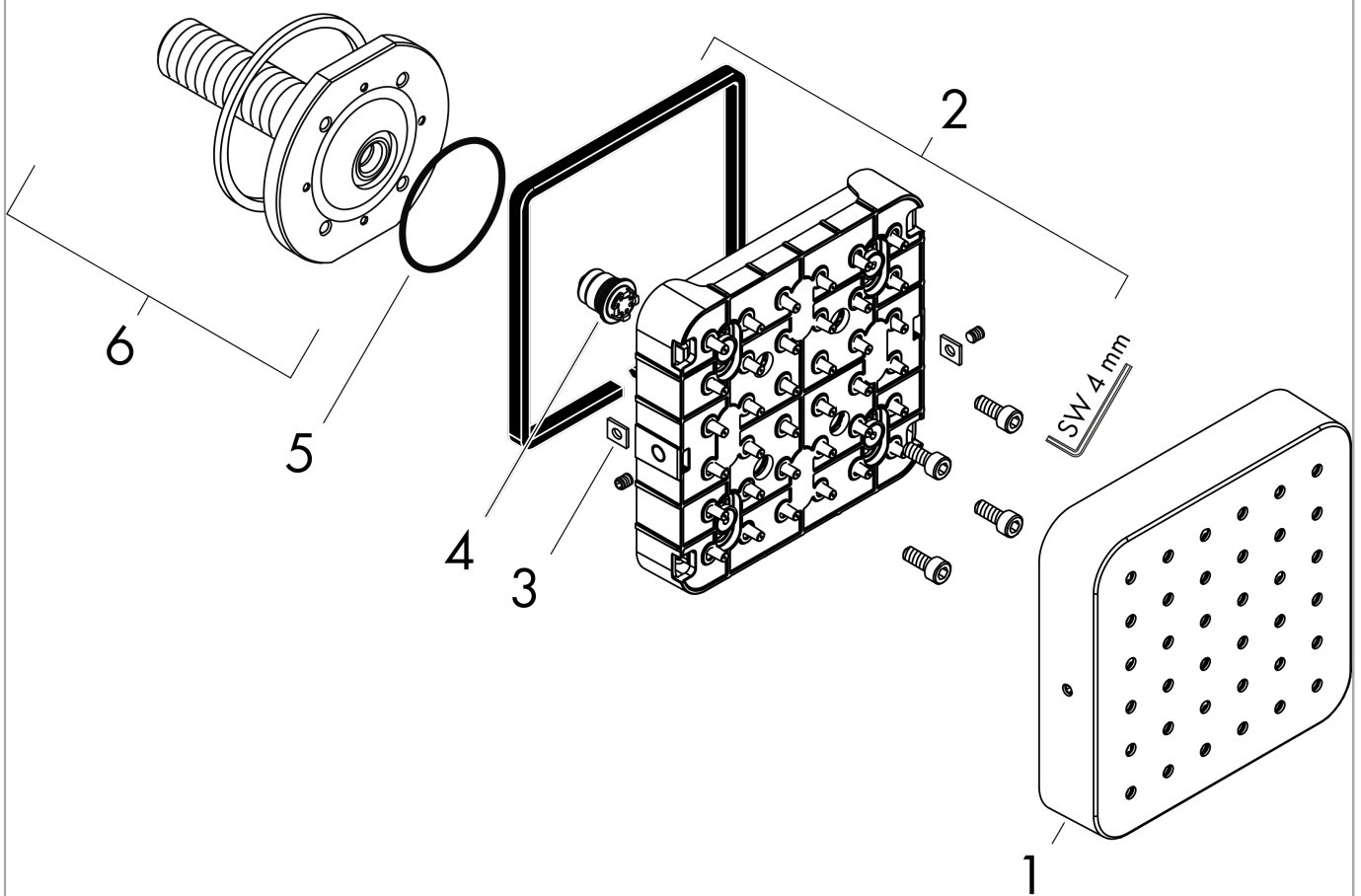


AXOR Citterio E
Shower module 120/120 for concealed installation softsquare
Surfaces: Article Number: **36822000**



Exploded Drawing

Year of production: >11/14



AXOR Citterio E
Shower module 120/120 for concealed installation softsquare
 Surfaces: Article Number: **36822000**



Spare part list

Year of production: >11/14

Pos.		Article Number	PC	PU
1	frontcover	92459000	16	1
2	spray body	95361000	15	1
3	nut	97794000	1	1
4	flow limiter / non return valve	95363000	8	1
5	O-ring 41x2	98212000	1	1
6	connecting thread	95364000	15	1
a	concealed item	28486180	99	1