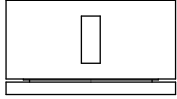
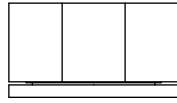


**A81.49**  
WALL TAP SET

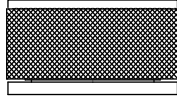
STANDARD WITH INDENT HANDLE  
OTHER LEVER HANDLE OPTIONS



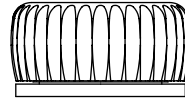
**.V2** PIN HANDLE



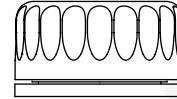
**.V3** WHITE CARRARA MARBLE  
**.V4** BLACK MARQUINA MARBLE



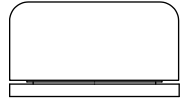
**.V5** KNURLED



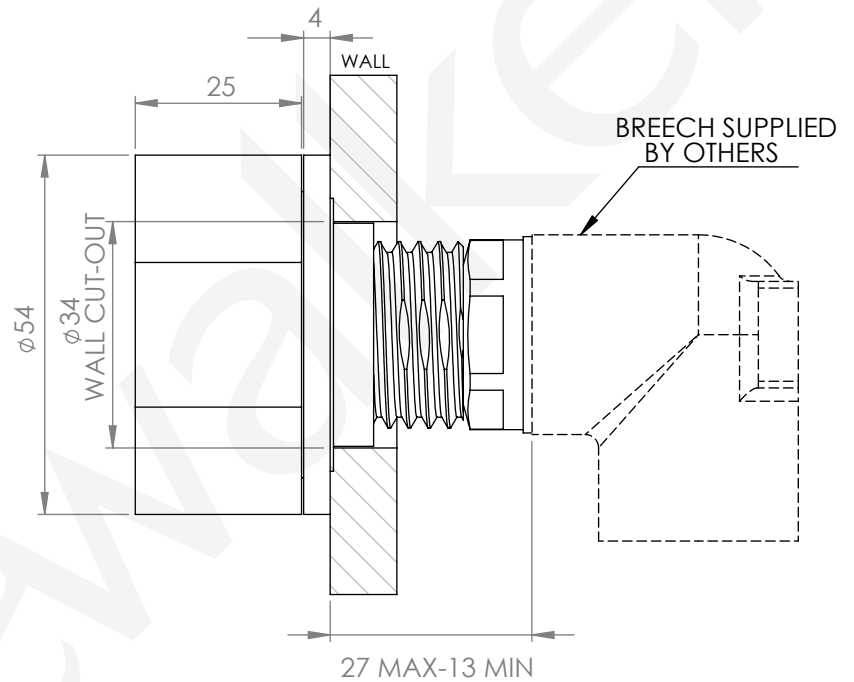
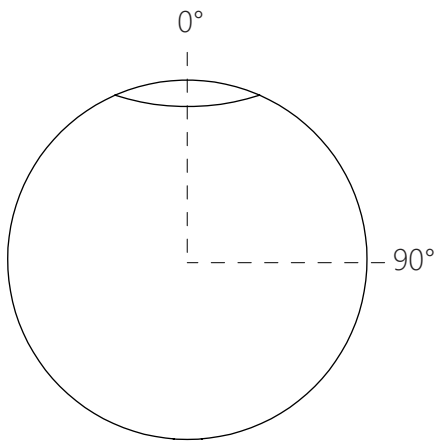
**.V6** REEDED



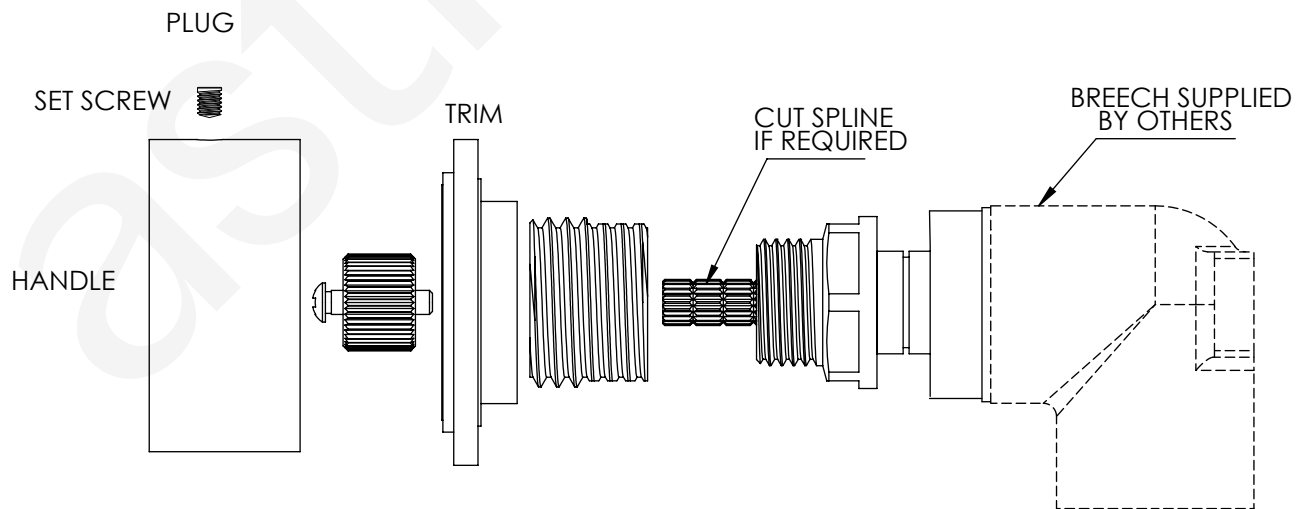
**.V7** FLUTED



**.V8** ROUND DIAL



IMPORTANT : Front face of inwall body to finished wall face must be minimum 13mm to maximum 27mm



EXPLODED VIEW