
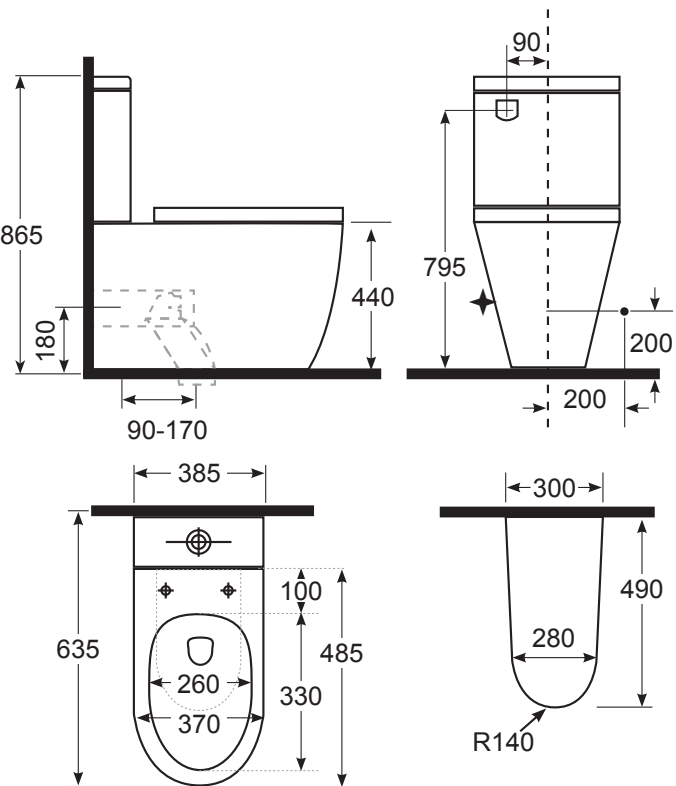




## VISTA HYGIENIC FLUSH BTW TOILET SUITE

Product Image	Technical Specification
	 <p style="text-align: center; border: 1px solid black; padding: 2px;">S-Trap Set-Out Adjustment Range 90-170mm</p>

**Description**

**Vista Hygienic Flush Back-To-Wall Toilet Suite**  
 S&P Trap with Soft Close Seat  
 S-Trap set out 90-170mm

**809911S4UB** Universal Water Entry

**Additional Information**


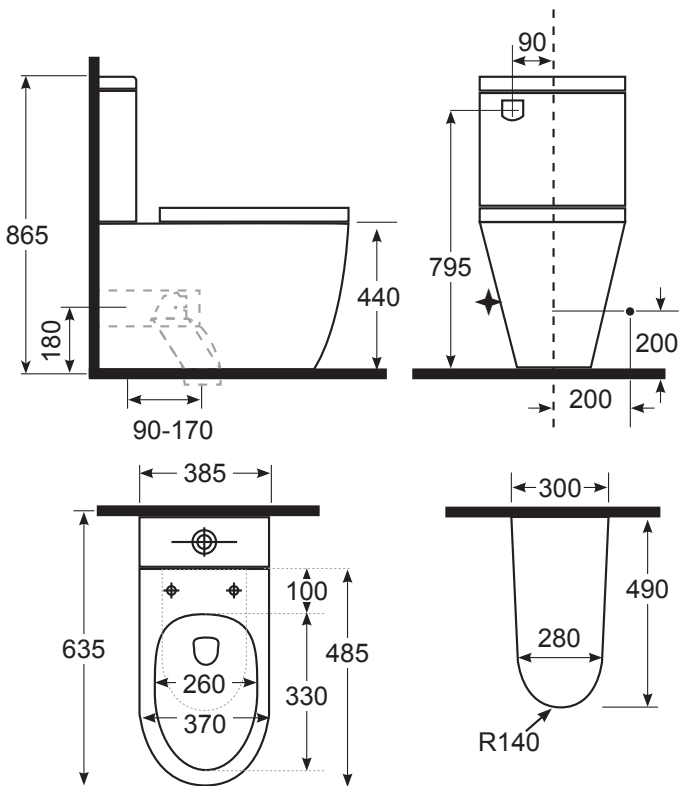
- 5 Year Warranty\*
- Ambulant Compliant
- Universal Cistern can be used for rear or bottom water entry

\*Conditions Apply





# VISTA HYGIENIC FLUSH BTW TOILET SUITE

Product Image	Technical Specification
	 <p style="text-align: center; border: 1px solid black; padding: 2px;">S-Trap Set-Out Adjustment Range 90-170mm</p>

**Description**

**Vista Hygienic Flush Back-To-Wall Toilet Suite**  
 S&P Trap with Soft Close Seat  
 S-Trap set out 90-170mm

**809911S4UB** Bottom Water Entry

**Additional Information**

- 5 Year Warranty\*
- Ambulant Compliant

\*Conditions Apply

