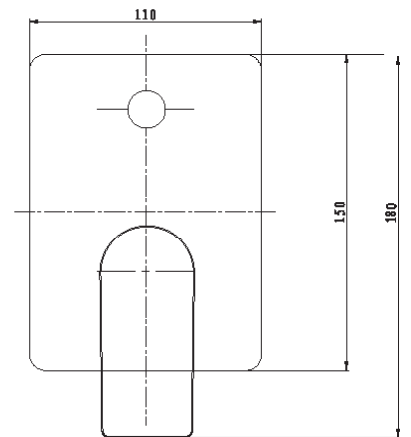
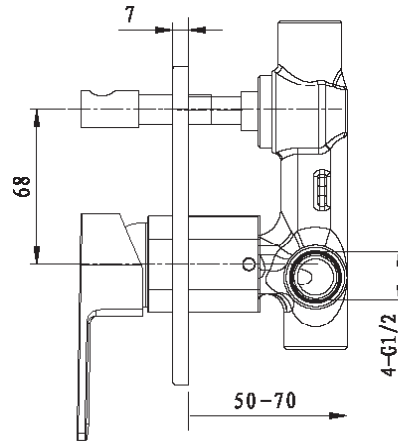


**Product Image** **Technical Specification**



**Description**

Evoke Diverter Mixer

- DM335947** Evoke Diverter Trim
- DM330047** Round Diverter Mixer Body

**Additional Information**

- 35mm European Ceramic Cartridge
- 20mm In-Wall Depth Adjustment
- Active Flow Diverter
- Compact trim plate w/diverter
- 15 Year Warranty \*Conditions Apply

