



Model Code: NQ100

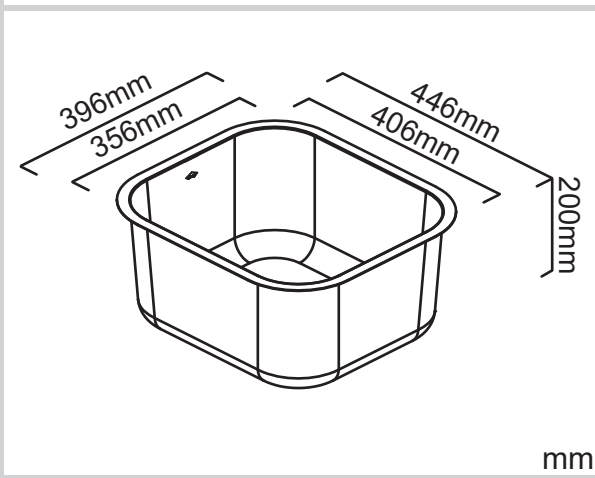
### Included Accessories

6020	ICC8	UMD8
ADT1		

### Optional Accessories

AQCB		

### Dimensions



### Specifications

Description	Single bowl, Inset/Undermount Sink
Overall Sink Size	396mm x 446mm x 200mm deep
Bowl Dimensions	356mm x 406mm x 200mm deep
Drainer Length	N/A
Technic	Press
Material	Stainless steel SUS304

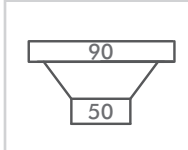
### Installation

Fixings	Inset & Undermount clips supplied
Template	Supplied
Min Cabinet Size	500mm
Waste Holes	1 x 90mm round Compatible with waste disposal

#### SURFACE FINISH



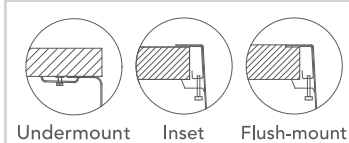
#### WASTE KIT



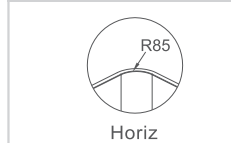
#### MATERIAL



#### INSTALLATION OPTIONS



#### PROFILE



### Plumbing

Waste Fittings	1 x (90mm x 2") basket waste included
Overflow	Available, conditions apply

### Packaging

Carton Type	EPS protection & individual carton
Gross Weight	5Kg
Carton Size	455mm x 505mm x 295mm
Pack QTY	1

Abey are Australia's leaders in sinkware, designing and manufacturing to the world's highest quality specifications as well as sourcing and bringing you Europe's very best, leading edge designs – practical, affordable, inspirational, stylish, timeless or cutting edge. When you buy an Abey stainless steel sink you receive the highest quality and 25 year warranty. Abey and the manufacturer are continually seeking ways to improve the design specifications, aesthetic and production techniques of the products. As a result, alterations to the specifications and dimensions of the products and designs occur continually.