

CPS
— 2022 —
SYSTEM CATALOG
—  —
1 STOP SHOP!

CPS
— 2022 —
SYSTEM CATALOG
—  —
1 STOP SHOP!



TO ORDER

For North American Sales Call
877.434.7867 (877.434.PUMP)

Go Online
ConcretePumpSupply.com

LOCATIONS

GEORGIA • TEXAS • CALIFORNIA

Outside Sales Support

FLORIDA - Tampa

**ONE-STOP SHOP
SERVING ALL OF NORTH AMERICA:**

The highest quality products at the lowest prices.

CPS PLACING EQUIPMENT

Featured in Pages 5 to 12

877.434.7867
ConcretePumpSupply.com

SERVING NORTH AMERICA

WITH LOCATIONS IN
GEORGIA • CALIFORNIA • TEXAS



CALIFORNIA



TEXAS



**MORE SPACE
MORE INVENTORY**

 **1 STOP SHOP!**

OUTSIDE SALES SUPPORT

FLORIDA - Tampa



— WELCOME TO YOUR 2022 — SYSTEM CATALOG

CPS has provided exceptional service to the concrete pumping industry for more than 30 years. We are one of North America's largest distributors of spare parts and system for all makes and models of concrete pumps. In addition, we produce and sell a full lineup of Concrete Pump Primers, and we are the home of the original Envirosac Concrete Washout Bag.

Expertise, inventory, and service are what set us apart from the rest. Our staff has over a century's worth of industry experience. We don't just know parts; we stock them with our inventory being second to none. The combination of expertise and on-hand inventory allows us to provide you with superior customer service. Our goal is to provide you with the product you need, when you need it, to ensure you get your job done. This is especially true when it comes to boom systems, where we take pride in our guarantee to get you a completed, quality system within 2 weeks of order confirmation.

Please use this system catalog to search through our vast offerings of quality system and Envirosystems products. Follow us on Facebook and visit our website for monthly specials and offerings. And as always, feel free to call us with any questions at **877-434-7867**.

Simply stated, CPS strives to be the Pumper's Choice, a One Stop Shop, for all your concrete pumping needs.

BOOM SYSTEMS

Request a quote at ConcretePumpSupply.com where you can upload your pump specifications to receive a customized, competitively priced estimate!



TABLE OF CONTENTS

PLACING EQUIPMENT	5	CPS ACCESSORIES	25
BOOM PIPE	13	HD PIPE BENDS	27
DECK PIPE	14	REDUCERS	28
BOOM ELBOWS	15	PLACING REDUCERS	29
BOOM REDUCERS & BACKEND	17	CONCRETE PUMP HOSES	30
CLAMPS	19	WEAR PARTS/PUTZ	31
GASKETS	20	WEAR PARTS/SCHWING	41
WELD ON ENDS	21	BAGS	49
CLEAN OUT BALLS	22	CONCRETE PUMP PRIMERS	50
HYDRAULIC DIVERSION VALVE WITH HAND PUMP	23	CONCRETE SUPPORT PRODUCTS	51
LAY DOWN PIPE & HIGH RISE SYSTEM	24		

 **1 STOP SHOP!**



CPS PLACING EQUIPMENT

Request a quote at ConcretePumpSupply.com, read the next section for more details or checkout the B18 informational videos on YouTube.

FIND US ON 

Type in "B18 Concrete Pump Supply"

PLACING EQUIPMENT

Our 18M (60ft) mini placer is the latest innovation on the market for concrete placement. The three-section boom takes the place of mechanical deck placers in most instances. The mini placer extends the length of your boom pump, adds vertical reach, and eliminates additional labor. In some applications, our mini placer can be a substitute for a traditional placing boom set up.

FEATURES

- › ACPA standard HBC remote
- › Infinite Rotation
- › Dual Power – Electric and Gas w/ Diesel Option
- › Heavy duty slewing gear
- › Emergency hand pump
- › Split frame detachable boom unit
- › Multiple Adjustable pick points (4 pick points)

BENEFITS

- › HBC remotes are an industry standard and allow the operator freedom to move around the pour
- › Infinite Rotation Eliminates Dead Spots
- › Having power options provides versatility for different job sites
- › Emergency hand pump can unfold and fold manually
- › Allows for easy movement around the job site
- › Multiple pick points allow the unit to be moved with counterweights full on a single pick



B18R MINI PLACER

FEATURES



7,5 kW 400 - 480 V
3 phase 50 - 60 hz



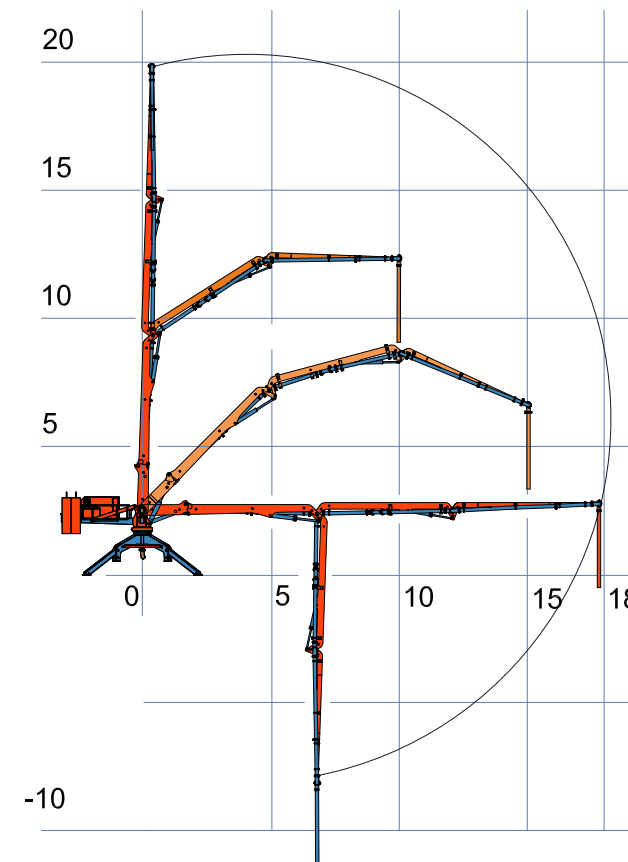
Radio Control



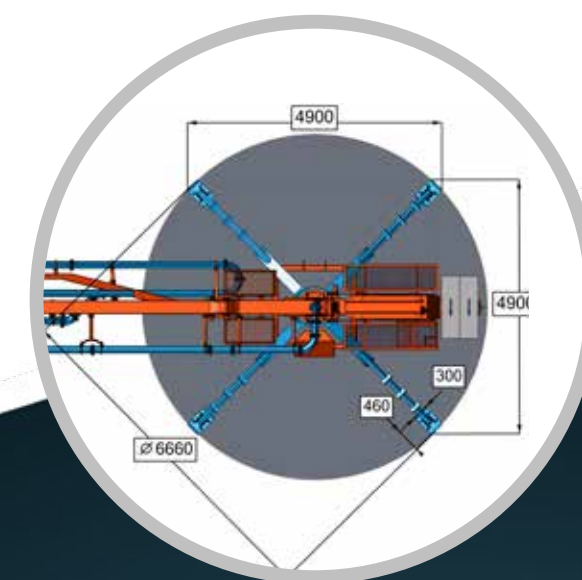
Gasoline or Diesel Engine



360° Radius



RANGE OF MOTION
Boom Unfolding Height - 18'10"

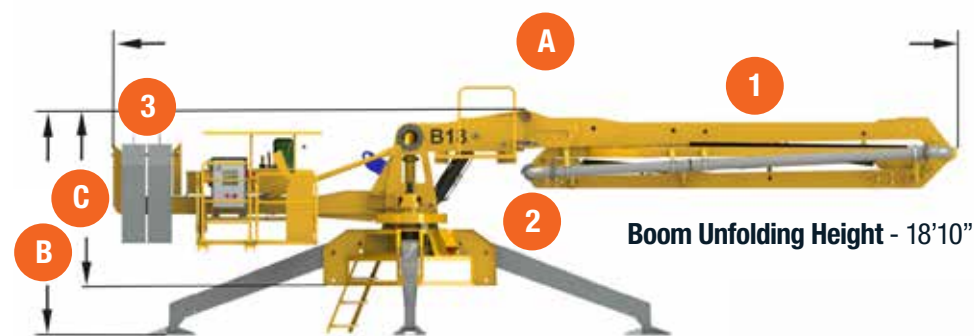


FOOTPRINT

B18 MINI PLACER

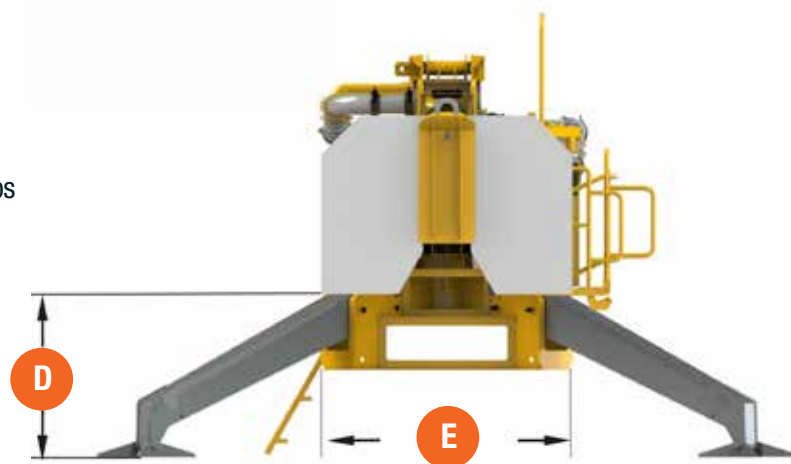
B18 MINI PLACER DETAILS

TECHNICAL DETAILS	VALUE	WEIGHT
DISTRIBUTION DIAMETER	36M	
DISTRIBUTION AREA	1020M ²	
BASE WEIGHT	2240KG	4939 LBS
SPLIT BOOM WEIGHT	1750KG	3858 LBS
MACHINE WEIGHT (BASE + SPLIT BOOM)	3990KG	8797 LBS
BALLAST WEIGHT	1380KGX2	3043 LBS X2
HYDRAULIC PUMP MOTOR	7.5KW 3PHASE 400-480V	
HYDRAULIC TANK CAPACITY	65 LT	
MAXIMUM SYSTEM PRESSURE	200 BAR	



- A 10670 mm / 10.67 m / 35 ft
- B 2850 mm / 2.85 m / 9.35 ft
- C 2230 mm / 2.23 m / 7.32 ft

- 1 Split Boom - 1,750 kg/3,858 lbs
- 2 Full Machine Weight (Base+ Split Boom) - 3,990 kg/8,796 lbs
- 3 Counter Weights - 1,380 kg/3,043 lbs (Each)
- 4 Total Weight - "6,569 kg/14,482 lbs



DIMENSIONS

LEGEND





REFERENCE MARKER	MEASURE (MM)	MEASURE (FT)
A	10670 MM	35 FT
B	2850 MM	9.35 FT
C	2230 MM	7.31 FT
D	1150 MM	3.77 FT
E	1795 MM	5.89 FT
F	6620 MM	21.72 FT
G	4950 MM	16.24 FT
H	3750 MM	12.3 FT

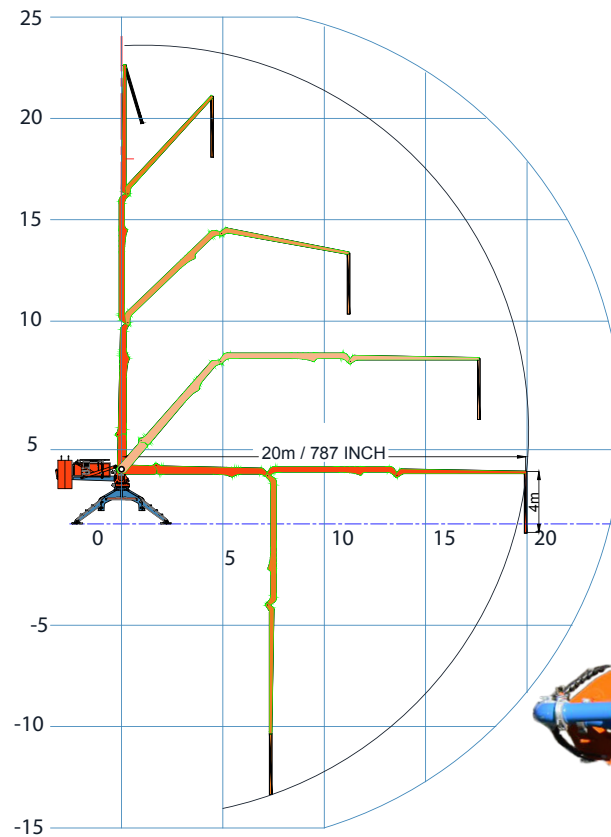
REFERENCE MARKER	WEIGHT (KG)	WEIGHT (LBS)
1	1,750 kg	3,858 LBS
2	3,990 kg	8,796 LBS
3	1,380 kg	3,043 LBS (X2)



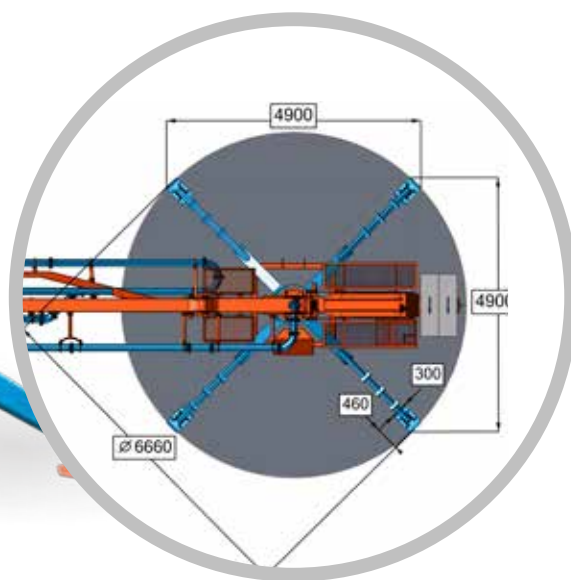
B20R PLACER

FEATURES

-  **7,5 kW 400 - 480 V**
- 3 phase 50 - 60 hz**
-  **Radio Control**
-  **Gasoline or Diesel Engine**
-  **360° Radius**



RANGE OF MOTION







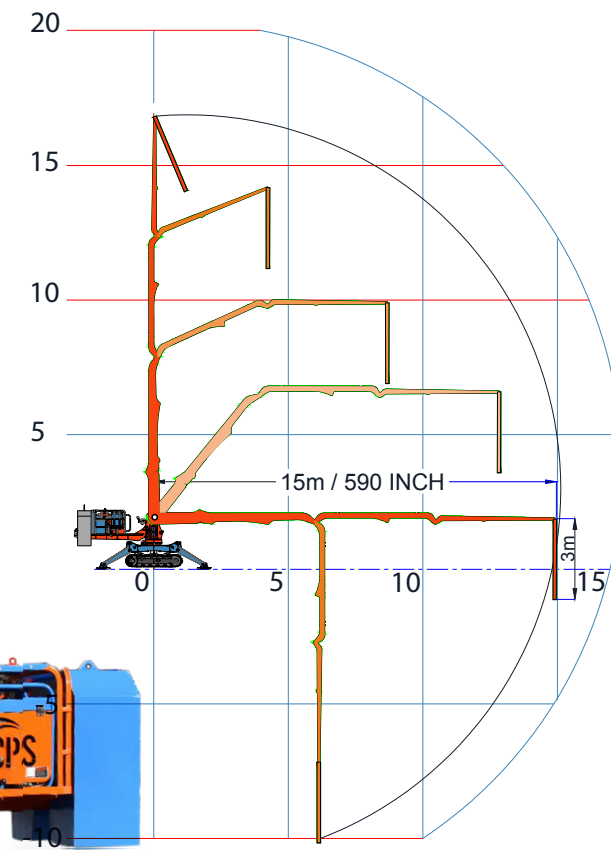
FOOTPRINT



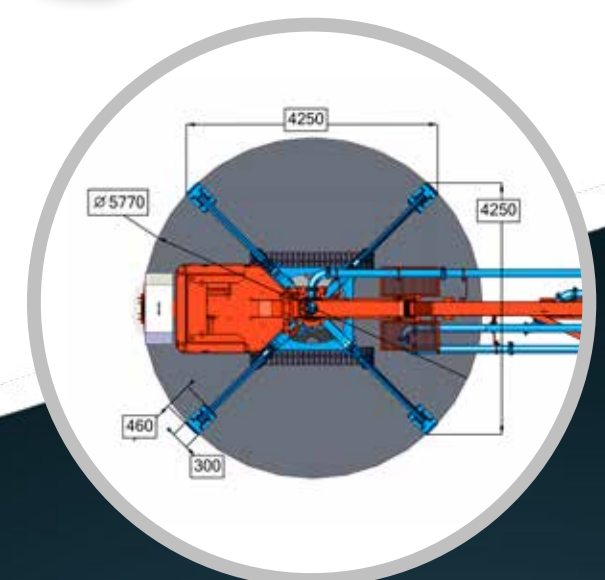
CB15 CRAWLER

FEATURES

-  **7,5 kW 400 - 480 V**
- 3 phase 50 - 60 hz**
-  **Radio Control**
-  **Gasoline or Diesel Engine**
-  **360° Radius**



RANGE OF MOTION



FOOTPRINT







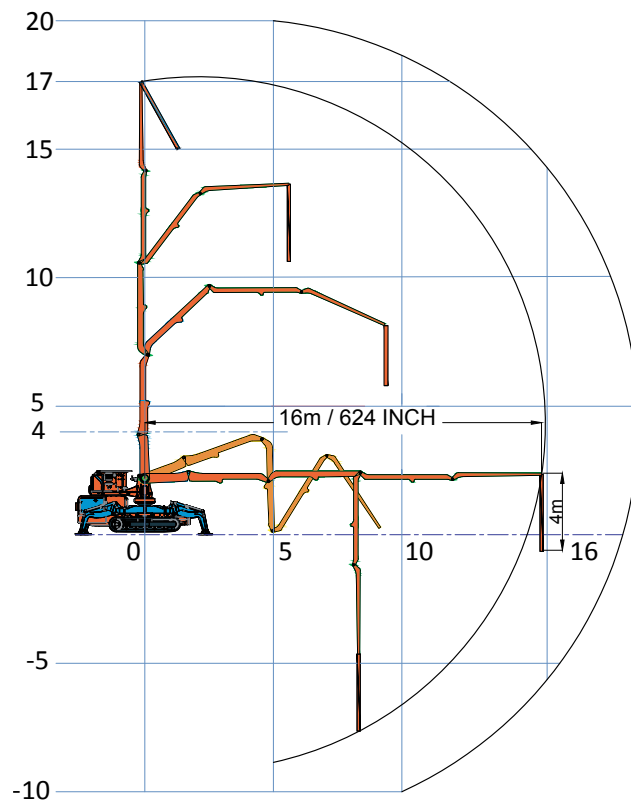
Pictured is the CB15R Crawler Boom

Available in R & Z Fold Boom Configurations

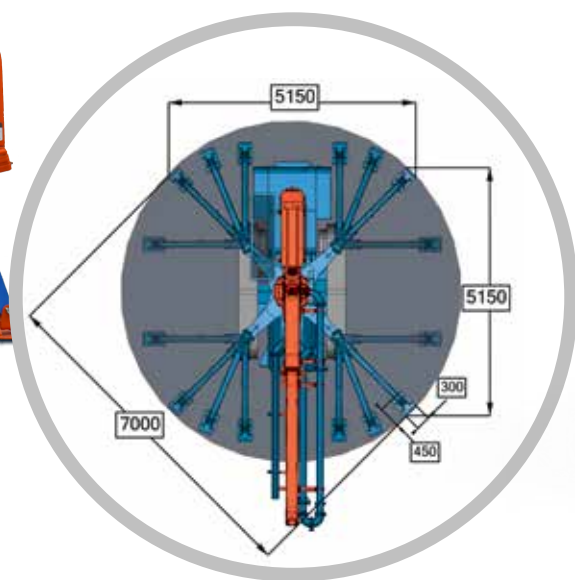
CB16Z CRAWLER

FEATURES

-  7,5 kW 400 - 480 V
3 phase 50 - 60 hz
-  Radio Control
-  Gasoline or Diesel Engine
-  360° Radius







RANGE OF MOTION

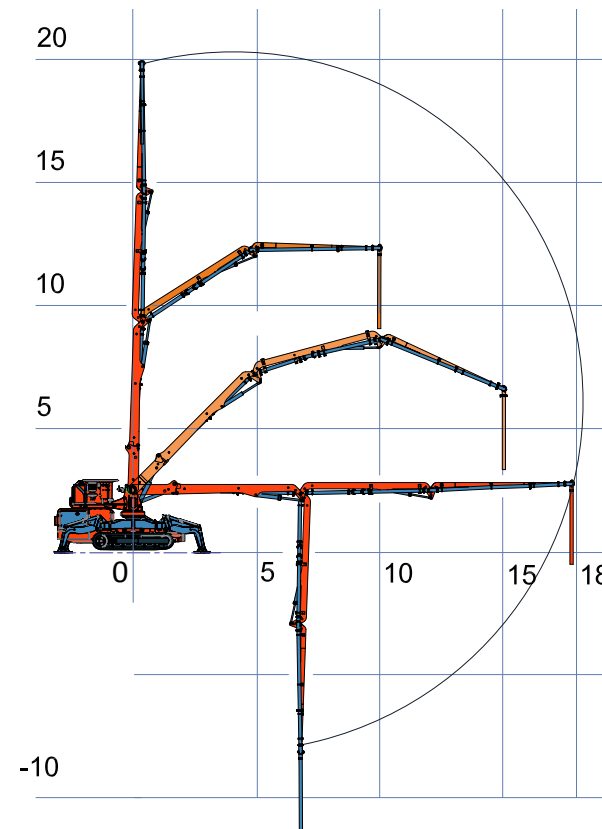


FOOTPRINT

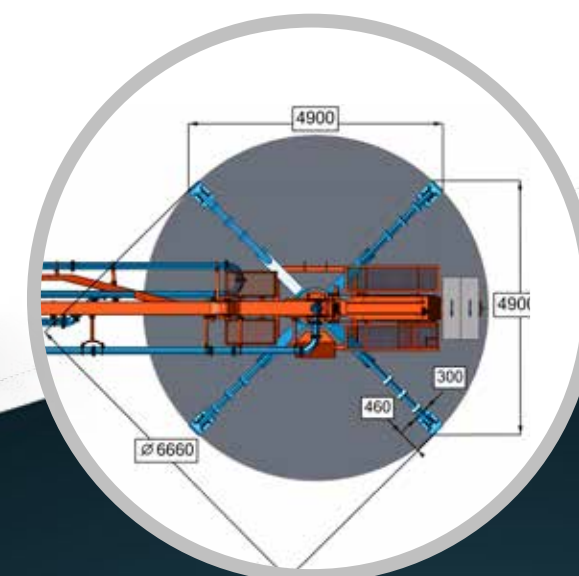
CB18Z CRAWLER

FEATURES

-  7,5 kW 400 - 480 V
3 phase 50 - 60 hz
-  Radio Control
-  Gasoline or Diesel Engine
-  360° Radius



RANGE OF MOTION



FOOTPRINT

BOOM PIPE

TWS - TWIN WALL SEAMLESS

DESCRIPTION					P/N
BOOM PIPE 3000MM 10 FT DN125 4.8" CPS TWIN-WALL					B3000TW
INNER WALL	OUTER WALL	INSIDE DIAMETER	WORKING PRESSURE (BAR)	WEIGHT	WEIGHT FULL W/ CONCRETE (KG)
3.1mm	1.7mm	DN125	85	104.9lbs/47.6kg	295.lbs/134.22kg
BOOM PIPE 3000MM 10 FT DN112 4.4" CPS TWIN-WALL					B3000TW-4.4
INNER WALL	OUTER WALL	INSIDE DIAMETER	WORKING PRESSURE (BAR)	WEIGHT	WEIGHT FULL W/ CONCRETE (KG)
2.5mm	1.7mm	DN112	85	84.2lbs/38.2kg	235.2lbs/106.68kg
BOOM PIPE 3000MM 10 FT DN117 4.6" CPS TWIN-WALL					B3000TW-4.6
INNER WALL	OUTER WALL	INSIDE DIAMETER	WORKING PRESSURE (BAR)	WEIGHT	WEIGHT FULL W/ CONCRETE (KG)
2.5mm	1.7mm	DN117	85	87.7lbs/39.8kg	245.7lbs/111.48kg

HSS - HARDENED SINGLE SEAMLESS

DESCRIPTION					P/N
BOOM PIPE 3000MM 10 FT DN125 4.8" CPS HARDENED-SINGLE					B3000HS
WALL THICKNESS	INSIDE DIAMETER	WORKING PRESSURE (BAR)	WEIGHT	WEIGHT FULL W/ CONCRETE (KG)	
4.8mm	DN125	85	104.9 LBS/47.6 KG	295.9 LBS/134.22 KG	



DECK PIPE

TW - TWIN WALL

DESCRIPTION					P/N
DECK PIPE 3000MM 10 FT DN125 4.8" CPS TWIN-WALL					D3000TW
INNER WALL	OUTER WALL	INSIDE DIAMETER	WORKING PRESSURE (BAR)	WEIGHT	WEIGHT FULL W/ CONCRETE (KG)
5.1mm	2.0mm	DN125	85	156.3lbs/70.9kg	398.3lbs/180.67kg
DECK PIPE 3000MM 10 FT DN117 4.6" CPS TWIN-WALL					D3000TW-4.6
INNER WALL	OUTER WALL	INSIDE DIAMETER	WORKING PRESSURE (BAR)	WEIGHT	WEIGHT FULL W/ CONCRETE (KG)
5.0mm	2.0mm	DN117	85	145.3lbs/65.9kg	303 lbs/137.57kg

HS - HARDENED SINGLE

DESCRIPTION					P/N
DECK PIPE 3000MM 10 FT DN125 4.8" CPS HARDENED-SINGLE					D3000HS
WALL THICKNESS	INSIDE DIAMETER	WORKING PRESSURE (BAR)	WEIGHT	WEIGHT FULL W/ CONCRETE (KG)	
7mm	DN125	85	155.4lbs/70.5kg	349.4lbs/158.49kg	

BOOM & DECK PIPE STANDARD FEATURES

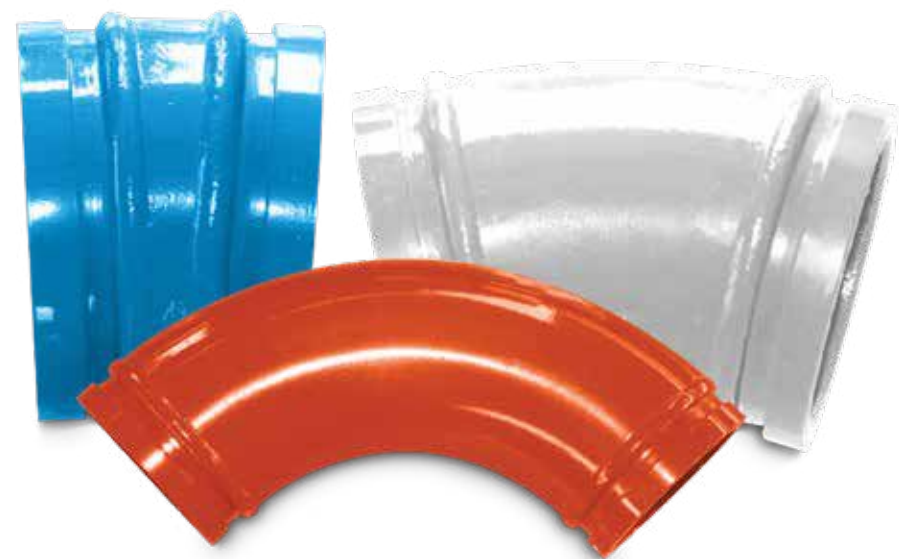
-  Heat Treated
-  Seamless
-  Three Years Field Tested
-  Induction Hardened

 Request Boom System Quote Via Email
At quotes@ConcretePumpSupply.com

BOOM ELBOWS

TW - TWIN WALL

DESCRIPTION	P/N
10-DEGREE BOOM ELBOW CPS TWIN-WALL	10TW
15-DEGREE BOOM ELBOW CPS TWIN-WALL	15TW
20-DEGREE BOOM ELBOW CPS TWIN-WALL	20TW
30-DEGREE BOOM ELBOW CPS TWIN-WALL	30TW
45-DEGREE BOOM ELBOW CPS TWIN-WALL	45TW
90-DEGREE BOOM ELBOW CPS TWIN-WALL	90TW
90-DEGREE SHORT-RADIUS BOOM ELBOW CPS TWIN-WALL	90TW-SHORT
TWIN-WALL PUTZ STYLE S-PIPE (DECK)	ZPIPE



BOOM ELBOWS

MANGANESE CAST ELBOWS

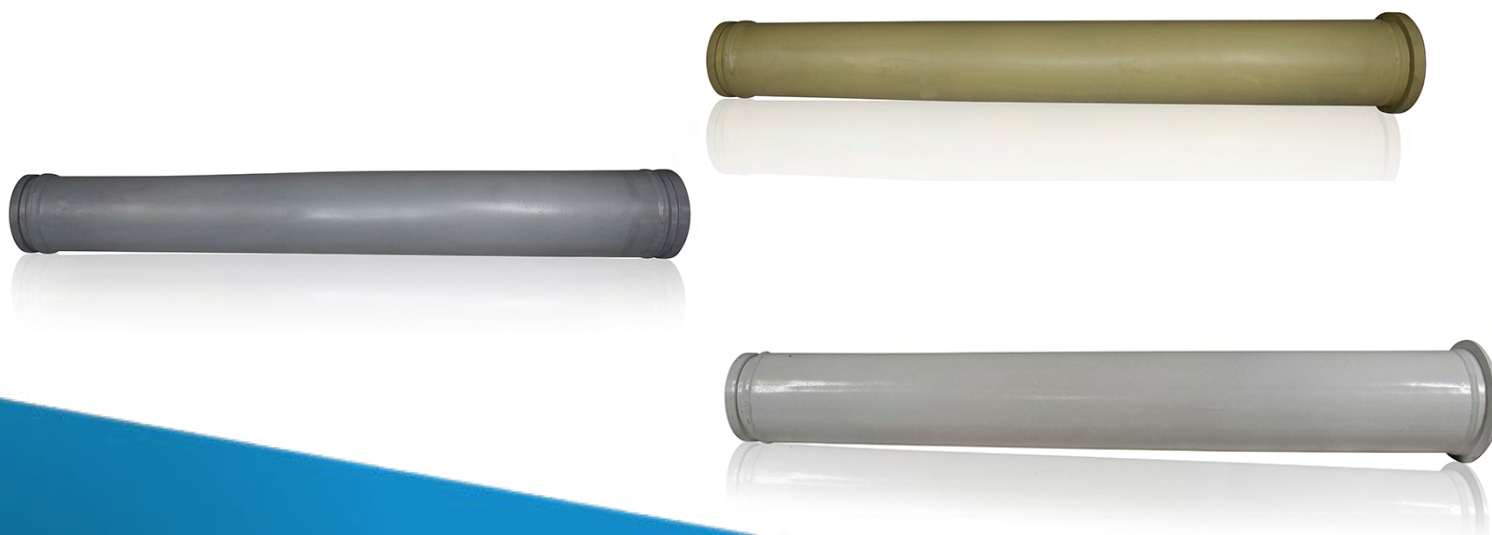
DESCRIPTION	P/N
10-DEGREE BOOM ELBOW CPS SINGLE-WALL	10C
15-DEGREE BOOM ELBOW CPS SINGLE-WALL	15C
20-DEGREE BOOM ELBOW CPS SINGLE-WALL	20C
30-DEGREE BOOM ELBOW CPS SINGLE-WALL	30C
45-DEGREE BOOM ELBOW CPS SINGLE-WALL	45C
90-DEGREE BOOM ELBOW CPS SINGLE-WALL	90C
90-DEG SHORT-RADIUS BOOM ELBOW CPS SINGLE-WALL	90C-SHORT



BOOM REDUCERS

PUTZ, ALLIANCE, KCP, CONCORD, SCHWING & EVERDIGM REDUCERS

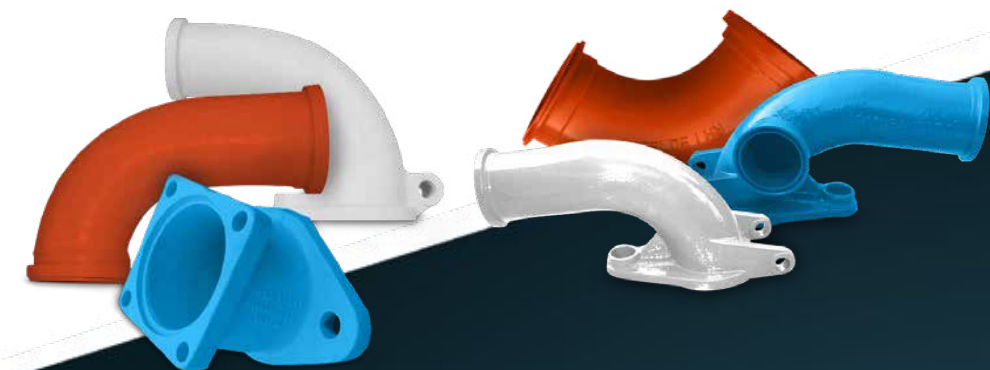
DESCRIPTION	P/N
HARDENED STEEL REDUCER, DN150/6" ZX TO DN125/5" SK, 1200MM/47.25" LENGTH (PUTZ)	PR1200HS
TWIN WALL REDUCER, DN150/6" ZX TO DN125/5" SK, 1200MM/47.25" LENGTH (PUTZ)	PR1200TW-HD
TWIN WALL REDUCER, DN150/6" ZX TO DN117/4.6" SK, 1200MM/47.25" LENGTH (PUTZ)	PR1200TW-4.6
BIG ASS REDUCER, TWIN-WALL DN150/6" ZX TO DN125/5" SK, 1200MM/47.25" LENGTH (PUTZ)	PR1200H460
HARDENED STEEL REDUCER, DN150/6" SK TO DN125/5" SK, 1200MM/47.25" LENGTH (PUTZ)	PR1200HS-SK
CHROME CARBIDE LINED REDUCER, ZX-SK, 1200MM/47.25" LENGTH (PUTZ)	PR1200CC
HARDENED STEEL REDUCER, 1290MM (SCHWING)	SR1290HS
HARDENED STEEL REDUCER, 1460MM (SCHWING)	SR1460HS
CHROME CARBIDE REDUCER, 1500MM (SCHWING)	SR1500CC
HARDENED STEEL REDUCER, 1500MM (SCHWING)	SR1500HS
CHROME CARBIDE REDUCER, 1600MM (SCHWING)	SR1600CC
HARDENED STEEL REDUCER, 1600MM (SCHWING)	SR1600HS
HARDENED STEEL REDUCER, 1650MM (SCHWING)	SR1650HS



BACKEND

PUTZ, ALLIANCE, KCP, CONCORD & EVERDIGM ELBOWS SCHWING ELBOWS

DESCRIPTION	P/N
HARDENED STEEL 14-DEGREE HOPPER ELBOW DN180/7" (SCHWING)	714HOP
HARDENED STEEL SWING-OUT ELBOW DN180/7" TO DN150/6" (SCHWING)	7690SCH
HARDENED STEEL H.F. 14-DEGREE HOPPER ELBOW DN180/7" (SCHWING)	714HOP.HF
HARDENED STEEL SWING-OUT ELBOW INTERIOR HARD FACED DN180/7" TO DN150/6" (SCHWING)	7690SCH.HF
HARDENED STEEL 90-DEGREE ELBOW DN150/6", NO Tangent (SCHWING)	690SCH
HARDENED STEEL 90-DEGREE ELBOW DN150/6", SHORT Tangent (SCHWING)	690SCH-SHORT
HARDENED STEEL 90-DEGREE ELBOW DN150/6", LONG Tangent (SCHWING)	690SCH-LONG
HARDENED STEEL H.F. 90-DEGREE ELBOW DN150/6", NO Tangent (SCHWING)	690SCH.HF
HARDENED STEEL H.F. 90-DEGREE ELBOW DN150/6", SHORT Tangent (SCHWING)	690SCH-SHORT.HF
HARDENED STEEL H.F. 90-DEGREE ELBOW DN150/6", LONG Tangent (SCHWING)	690SCH-LONG.HF
HARDENED STEEL BIG ASS 90-DEGREE ELBOW, DN150/6" ZX/ZX (PUTZ)	690PZX.HF
HARDENED STEEL 90-DEGREE ELBOW DN150/6" ZX/ZX (PUTZ)	690PZX
HARDENED STEEL 90-DEGREE ELBOW DN150/6" ZX/SK (PUTZ)	690PSK
HARDENED STEEL H.F. SWING-OUT ELBOW, DN180/7" TO DN150/6" NO PORT (PUTZ)	7690PU.HF
HARDENED STEEL H.F. SWING-OUT ELBOW, DN180/7" TO DN150/6" W/PORT (PUTZ)	7690PU-PORT.HF
HARDENED STEEL SWING-OUT ELBOW, DN180/7" TO DN150/6" NO PORT (PUTZ)	7690PU
HARDENED STEEL SWING-OUT ELBOW, DN180/7" TO DN150/6" W/PORT (PUTZ)	7690PU-PORT



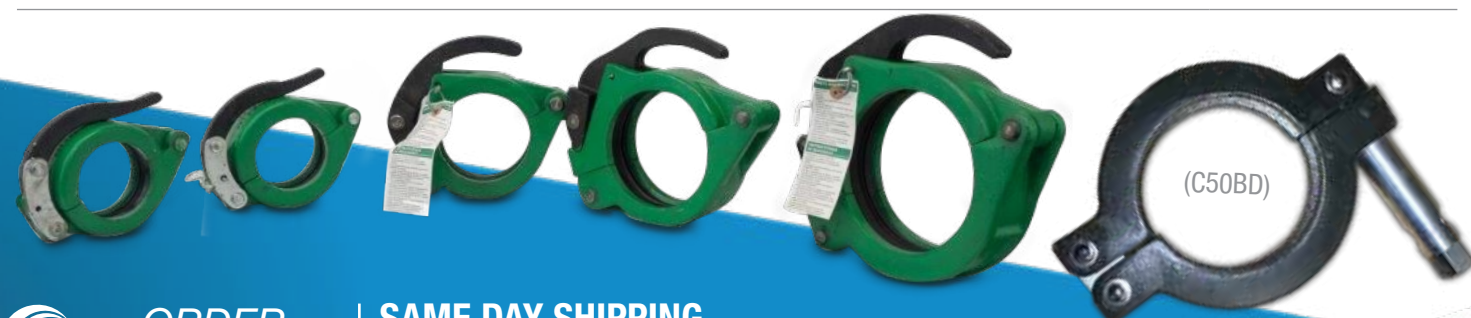
CLAMPS

CLAMPS

DESCRIPTION	P/N
COUPLING, 2" HD	C20SD
COUPLING, 2.5" HD	C25SD
COUPLING, 3" HD ADJUSTABLE	C30SD
COUPLING, 4" HD ADJUSTABLE	C40SD
COUPLING, 5" HD ADJUSTABLE	C50SD
COUPLING DN125 METRIC BOOM	417249.CPS
COUPLING DN125 METRIC BOOM, FOOT MOUNT	534296.CPS
1-BOLT 5"HD QUICK CLAMP (ONE BOLT CLAMP)	C50BD

COUPLING HARDWARE REPAIR KITS

DESCRIPTION	P/N
REBUILD KIT 2" HD SNAP CLAMP	CB20SD
REBUILD KIT 2.5" HD SNAP CLAMP	CB25SD
REBUILD KIT 3" HD SNAP CLAMP	CB30SD
REBUILD KIT 4" HD SNAP CLAMP	CB40SD
REBUILD KIT 5" HD SNAP CLAMP	CB50SD
HANDLE KIT 2" HD SNAP CLAMP	CH20SD
HANDLE KIT 2.5" HD SNAP CLAMP	CH25SD
HANDLE KIT 3" HD SNAP CLAMP	CH30SD
HANDLE KIT 4" HD SNAP CLAMP	CH40SD
HANDLE KIT 5" HD SNAP CLAMP	CH50SD



GASKETS

GASKET TYPES

DESCRIPTION	P/N
1.5" HD COUPLING GASKET	CG15D
1.5" GROOVED COUPLING GASKET	CG15G
2" HD COUPLING GASKET	CG20D
2" GROOVED COUPLING GASKET	CG20G
2.5" HD COUPLING GASKET	CG25D
2.5" GROOVED COUPLING GASKET	CG25G
3" HD COUPLING GASKET	CG30D
4" HD COUPLING GASKET	CG40D
5" HD COUPLING GASKET	CG50D
6" HD COUPLING GASKET	A546164
148MM METRIC V-LIP BOOM GASKET	CG148M
148MM CAVITY BOOM GASKET	055559001.CPS
148MM EXTENDED LIP GASKET	081669004



WELD ON ENDS

WELD ON ENDS

DESCRIPTION	P/N
WELD ON END, 2" HD	WE20D
WELD ON END, 2.5" HD	WE25D
WELD ON END, 3" HD	WE30D
WELD ON END, 4" HD	WE40D
WELD ON END, 5" HD	WE50D
BOOM WELD END W/ INSERT F. HARDENED SINGLE PIPE	BWE-HS
BOOM WELD END W/ INSERT F. TWIN WALL PIPE	BWE-TW
DECK WELD END W/ INSERT F. HARDENED SINGLE PIPE	DWE-HS
DECK WELD END W/ INSERT F. TWIN WALL PIPE	DWE-TW
BOOM WELD END 4.4"/DN112	BWE-4.4
BOOM WELD END 4.6"/DN117	BWE-4.6
DECK WELD END 4.6"/DN117	DWE-4.6



CLEAN OUT BALLS



CLEAN OUT ACCESSORIES

DESCRIPTION	P/N
BOOM RED DEVIL	BGO-D50VP
CLEAN OUT SPONGE(SQUARE)	888
SPONGE PIG, 150 X 180	SPIG150

HARD CLEAN OUT BALLS

DESCRIPTION	P/N
CLEAN OUT BALL 2" HARD (60MM)	COBH20
CLEAN OUT BALL 2.5" HARD (80MM)	COBH25
CLEAN OUT BALL 3" HARD (90MM)	COBH30
CLEAN OUT BALL 4" HARD (120MM)	COBH40
CLEAN OUT BALL 5" HARD (DN150)	COBH50
CLEAN OUT BALL 6" HARD (DN175)	COBH60

SOFT CLEAN OUT BALLS

DESCRIPTION	P/N
CLEAN OUT BALL 2" SOFT (60MM)	COBS20
CLEAN OUT BALL 2.5" SOFT (80MM)	COBS25
CLEAN OUT BALL 3" SOFT (90MM)	COBS30
CLEAN OUT BALL 4" SOFT (120MM)	COBS40
CLEAN OUT BALL 5" SOFT (DN150)	COBS50
CLEAN OUT BALL 6" SOFT (DN175)	COBS60

HYDRAULIC DIVERSION VALVE WITH HAND PUMP



LAY DOWN PIPE



DESCRIPTION	P/N
2" HD PIPE X 120" 3.0MM W/ HD ENDS 11-GAUGE	T2011A10D
2.5" HD PIPE X 120" 3.0MM W/ HD ENDS 11-GAUGE	T2511A10D
3" HD PIPE X 120" 3.0 MM W/ HD ENDS 11-GAUGE	T3011A10D
4" HD PIPE X 120" 3.0MM W/ HD ENDS 11-GAUGE	T4011A10D
5" HD PIPE X 120" 3.0MM W/ HD ENDS 11-GAUGE	T5011A10D

HIGH RISE SYSTEM

DESCRIPTION	P/N
HYDRAULIC DIVERSION VALVE W/ HAND PUMP	HDV-05
FLOOR ANCHOR PLATE, 5" HD	FAP-50
5" HD 90-DEG ELBOW 24"-CLR, 10MM WALL, HEAT TREATED, W/ STAND BRACKET	SB050DH
5"HD 45-DEG 24"-CLR, 10MM WALL, HEAT TREATED	PB504524D10-X
1-BOLT 5"HD QUICK CLAMP (ONE BOLT CLAMP)	C50BD
5"HD PIPE X 120", 7-GAUGE (4.8MM) HEAT TREATED 7-GAUGE	T5007A10DH
5"HD PIPE X 120", 1/4" (6.35MM) HEAT TREATED QUARTER WALL	T5025A10DH
5"HD 22.5-DEG ELBOW 24"-CLR, 10MM WALL, HEAT TREATED	PB502224D10-X
5" 90-DEG ELBOW 18"-CLR HD, 10MM WALL, HEAT TREATED	PB509018D10-X

CPS ACCESSORIES

SKID PAN

DESCRIPTION	P/N
CONCRETE HOSE SKID PAN	TS-54

SLING

DESCRIPTION	P/N
NYLON SLING, 1 X 6'	EE1-91

WALL HOOK

DESCRIPTION	P/N
2" HD WALL HOOK	30391008
2.5" HD WALL HOOK	30391098
3" HD WALL HOOK W/ HANDLE	30391976

NOZZLE

DESCRIPTION	P/N
2" HD SHOTCRETE NOZZLE ASSEMBLY, HEAVY RAISED END	23808-HDR
2.5" HD SHOTCRETE NOZZLE ASSEMBLY, ALUMINUM	23930-R



AIR CUFF

DESCRIPTION	P/N
HOSE AIR CUFF 5" – CLAM SHELL DESIGN	HAC-50

HAMMER SHUT-OFF VALVE

DESCRIPTION	P/N
HEAVY DUTY HAMMER SHUT OFF VALVE 2" HD	HV20D
HEAVY DUTY HAMMER SHUT OFF VALVE 2 1/2" HD	HV25D
HEAVY DUTY HAMMER SHUT OFF VALVE 3" HD	HV30D
HEAVY DUTY HAMMER SHUT OFF VALVE 4" HD	HV40D
HEAVY DUTY HAMMER SHUT OFF VALVE 5" HD	HV50D



HD PIPE BENDS

HD ELBOWS

DESCRIPTION	P/N
2" 90-DEGREE ANGLE, 48" RADIUS	PB209048DH-X
2" 45-DEGREE ANGLE, 48" RADIUS	PB204548DH-X
2" 90-DEGREE ANGLE, 16" RADIUS	PB209016DH-X
2" 45-DEGREE ANGLE, 16" RADIUS	PB204516D-X
2.5" 90-DEGREE ANGLE, 48" RADIUS	PB259048DH-X
2.5" 45-DEGREE ANGLE, 48" RADIUS	PB254548D-X
2.5" 90-DEGREE ANGLE, 16" RADIUS	PB259016D-X
2.5" 45-DEGREE ANGLE, 16" RADIUS	PB254516D-X
3" 90-DEGREE ANGLE, 48" RADIUS	PB309048D
3" 45-DEGREE ANGLE, 48" RADIUS	PB304548DH-X
3" 90-DEGREE ANGLE, 16" RADIUS	PB309016D-X
3" 45-DEGREE ANGLE, 16" RADIUS	PB304516D-X
3" 90-DEGREE ANGLE, 7.5" RADIUS	PB309007D-X
4" 90-DEGREE ANGLE, 48" RADIUS	PB409048DH-X
4" 45-DEGREE ANGLE, 48" RADIUS	PB404548D-X
4" 90-DEGREE ANGLE, 32" RADIUS	PB409032DH-X
4" 45-DEGREE ANGLE, 32" RADIUS	PB404532DH-X
4" 90-DEGREE ANGLE, 18" RADIUS	PB409018D-X
4" 45-DEGREE ANGLE, 18" RADIUS	PB404518D-X
5" 90-DEGREE ANGLE, 48" RADIUS	PB509048D-X
5" 45-DEGREE ANGLE, 48" RADIUS	PB504548DH-X
5" 90-DEGREE ANGLE, 36" RADIUS	PB509036D-X

HD ELBOWS

DESCRIPTION	P/N
5" 45-DEGREE ANGLE, 36" RADIUS	PB504536DH-X
5" 45-DEGREE ANGLE, 24" RADIUS	PB504524DH-10
5" 90-DEGREE ANGLE, 18" RADIUS	PB509018DH-X
5" 45-DEGREE ANGLE, 18" RADIUS	PB504518DH-X
5" 90-DEGREE ANGLE, 14" RADIUS	PB509014DH-X
5" 45-DEGREE ANGLE, 14" RADIUS	PB504514D

WALL THICKNESS BY ELBOW DIAMETER

2"	4.5MM	3"	6.0MM	5"	6.5MM
2.5"	5.0MM	4"	6.0MM		

REDUCERS

REDUCING ELBOWS

DESCRIPTION	P/N
REDUCING ELBOW 90-DEGREE 5" HD TO 4" HD	RE5040D
REDUCING ELBOW 90-DEGREE 5" HD TO 3" HD	RE5030D
REDUCING ELBOW 90-DEGREE 4" HD TO 3" HD	RE4030D
REDUCING ELBOW 90-DEGREE 3" HD TO 2" HD	RE3020D

PLACING REDUCERS

HARDENED STEEL REDUCERS

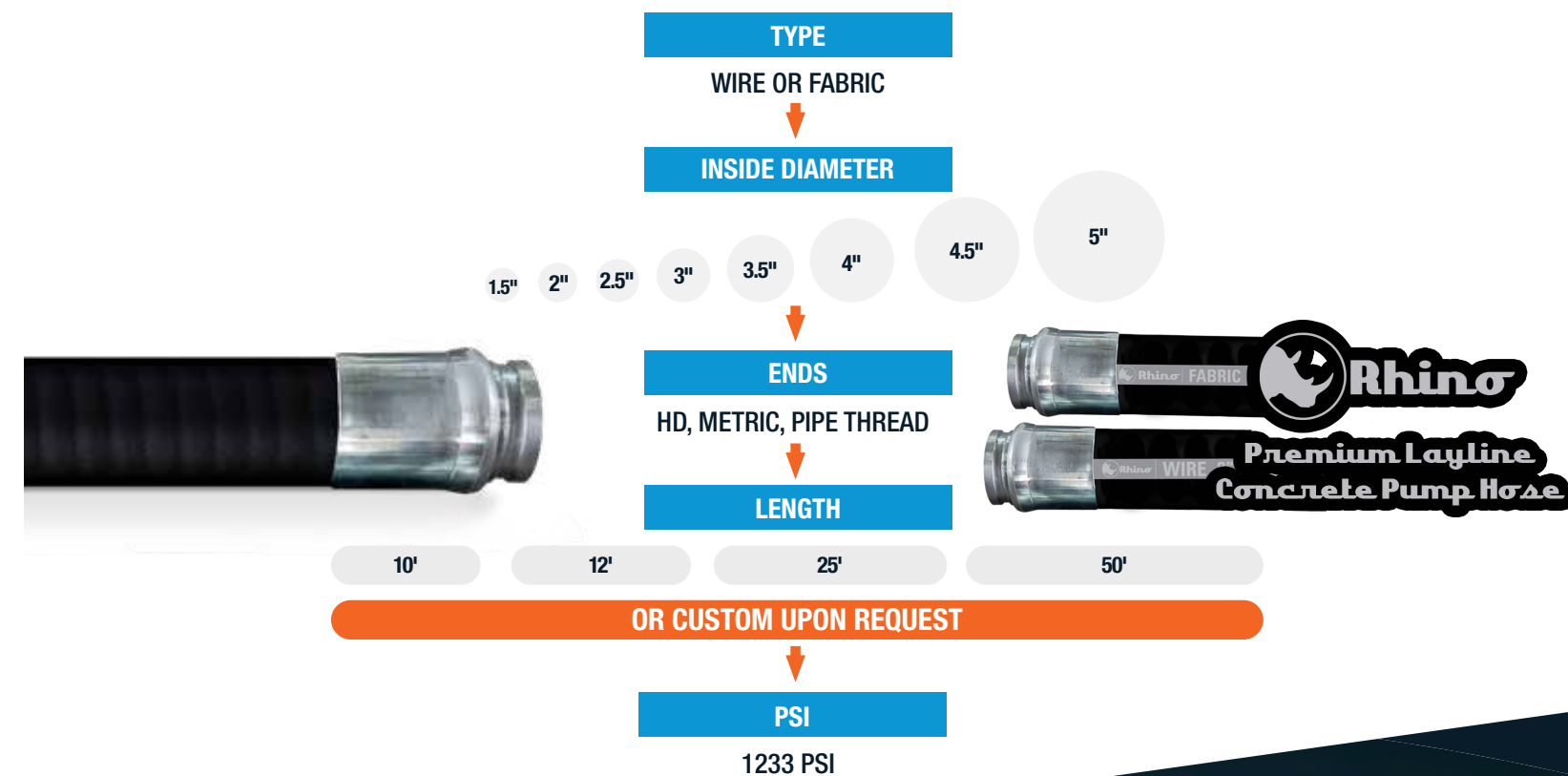
DESCRIPTION	P/N
REDUCER 2" X 1.5", 12" LONG, HD ENDS	R201512D
REDUCER 2" X 1.5", 12" LONG, HD TO MPT ENDS	R201512DM
REDUCER 2" X 1.5", 18" LONG, HD ENDS	R201518D
REDUCER 2.5" X 2", 12" LONG, HD ENDS	R252012D
REDUCER 2.5" X 2", 28" LONG, HD ENDS	R252028D
REDUCER 2.5" X 2", 36" LONG, HD ENDS	R252036D
REDUCER 3" X 2", 15" LONG, HD ENDS	R302015D
REDUCER 3" X 2", 28" LONG, HD ENDS	R302028D
REDUCER 3" X 2", 36" LONG, HD ENDS	R302036D
REDUCER 3" X 2.5", 12" LONG, HD ENDS	R302512D
REDUCER 3" X 2.5", 28" LONG, HD ENDS	R302528D
REDUCER 3" X 2.5", 36" LONG, HD ENDS	R302536D
REDUCER 4" X 2", 36" LONG, HD ENDS	R402036D
REDUCER 4" X 2.5", 36" LONG, HD ENDS	R402536D
REDUCER 4" X 3", 12" LONG, HD ENDS	R403012D
REDUCER 4" X 3", 28" LONG, HD ENDS	R403028D
REDUCER 4" X 3", 36" LONG, HD ENDS	R403036D
REDUCER 4" X 3", 52" LONG, HD ENDS	R403052D
REDUCER 5" X 2.5", 30" LONG, HD ENDS	R502530D
REDUCER 5" X 2.5", 36" LONG, HD ENDS	R502536D
REDUCER 5" X 3", 28" LONG, HD ENDS	R503028D
REDUCER 5" X 3", 28" LONG, HD ENDS	R503028DH
REDUCER 5" X 3", 36" LONG, METRIC TO HD ENDS	R503036MDH
REDUCER 5" X 3", 36" LONG, HD ENDS	R503036D
REDUCER 5" X 4", 12" LONG, METRIC TO HD ENDS	R504012MDH
REDUCER 5" X 4", 24" LONG, METRIC TO HD ENDS	R504024MDH
REDUCER 5" X 4", 28" LONG, METRIC TO HD ENDS	R504028MDH
REDUCER 5" X 4", 30" LONG, HD ENDS	R504030D
REDUCER 5" X 4", 36" LONG, HD ENDS	R504036D
REDUCER 5" X 4", 36" LONG, METRIC TO HD ENDS	R504036MDH

1233 PSI CONCRETE PUMP HOSES

Our CPS hose is designed by concrete pumpers and manufactured to our specification in Europe. Our hoses are perfect for pumping any wet material. We offer both textile and steel reinforced hoses ranging from 1.5" to 5" in diameter. Our ends fully crimped in house with heat treated stems.

 **Custom Lay Flat Hoses**
Also Available

FEATURES	BENEFITS
<ul style="list-style-type: none"> High quality abrasion resistant anti-static natural rubber Wire reinforced with high tensile steel cords Fabric hoses are reinforced with high tensile synthetic textile and antistatic copper wire Colored coded Meets or exceeds ASME B30.27 standards 	<ul style="list-style-type: none"> Our high-quality rubber allows for the most durability when dragged around the toughest jobsites A full crimp through the length of the ferrule is the safest crimp style on the market The color-coded layline allows for easy identification of diameter, working pressure, and type of reinforcement



WEAR PARTS / PUTZ

AUGER MOTOR FOR AGITATOR

DESCRIPTION	P/N
HYDRAULIC MOTOR, AGITATOR	484279
AUGER MOTOR SHAFT	484279-SHAFT

BEARING FLANGE ASSEMBLY

DESCRIPTION	P/N
O-RING, 60 X 4 DIN3770 NB70	043909003
RUBBER SEAL 60MM MIXER SHAFT	242574006
BUSHING, 60 X 65 X 40 DU-B	222484006.CPS
BEARING HOUSING ASSEMBLY (OPEN)	221547009
RUBBER DISC 50 MIL	084013000.CPS
BUSHING 50.9 X 64.5 X 40.0	235087005

MIXER SHAFTS

DESCRIPTION	P/N
MIXER SHAFT END RS905/7 60MM	275587002.CPS

AUGER PADDLES

DESCRIPTION	P/N
AGITATOR PADDLE LEFT HARDFACED RS905A/907	406795.CPS
AGITATOR PADDLE RIGHT HARDFACED RS905A/907	406796.CPS



S-TUBE AND WEAR PLATE

DESCRIPTION	P/N
S-TUBE S1512P CPL, TK, C	430336.CPS
S-TUBE S2018N	406926.CPS
S-TUBE S2018N *HARD-FACED	406926.HF.CPS
SPECTACLE WEAR PLATE	261122002.CPS
SPECTACLE PLATE	229488005.CPS
FULL T.C. - SPECTACLE WEAR PLATE	261122002ZF
WEAR PLATE - CARBIDE	Z261122002ZN
WEAR RING ND230Z	261123001.CPS
WEAR RING - FULL T.C.	261123001ZF
WEAR RING N ND200	251031006.CPS
WEAR RING - CARBIDE	Z261123001ZN
BIG MOUTH THRUST RING DN230	458878
S-TUBE HEX NUT	033718000
OUTER HOUSING W/ SEALS	508068.CPS
SPLINED UPPER BEARING ASSY. 90MM	274893001SP
SPLINED WEAR SLEEVE 80MM	400494SP
SPLINED BEARING, S-TUBE SHAFT G3(80MM)	401783SP
S-TUBE S2318 BIGMOUTH 90MM *HARD-FACED (NON HARD FACED ALSO AVAILABLE)	434023.HF.CPS

SWING LEVER

DESCRIPTION	P/N
SHIFT LEVER W/SQ DIAM 80	458733.CPS
SHIFT LEVER SHAFT 90MM	458703.CPS
BALL CUP, 60/70 X 38	275694005.CPS

WEAR PARTS / PUTZ

AUGER MOTOR FOR AGITATOR

DESCRIPTION	P/N
SWING-OUT ELBOW 90DEG 7-6" NO-PORT HARD-FACED	7690PU.HF
ELBOW SWING 90DEG 7"-6" NO-PORT	7690PU
CAST SWING OUT ELBOW W/PORT	7690PU-PORT
CAST SWING OUT ELBOW, HARD-FACED, W/PORT	7690PU-PORT.HF
SEALING COVER, ZXV125	054720006
CLAMP COUPLING ZX-K 5 FOR PRIMING PORT	265984000.CPS
WEDGE FOR SWING-OUT ELBOW	426793
WEDGE FOR SWING-OUT ELBOW	522382.CPS
EYE BOLT FOR WEDGE M36 X 1.5	262639002.CPS
TIE ROD, M36 X 1.5,	264392004.CPS

BOTTOM HOPPER DOOR

DESCRIPTION	P/N
CLOSING SLIDE HOPPER DOOR	242334000.CPS
ROUND CORD D-15 NBR70	233915001
STUD	407313

CONNECTING RINGS

DESCRIPTION	P/N
INTERMEDIATE RING, D230/200	252200001.CPS
O-RING, 210 X 8 DIN3771 NBR70	041466001
O-RING, 235 X 5 DIN 3771 NBR70	043635005

MAIN PUMPING CYLINDERS

DESCRIPTION	P/N
HYDRAULIC CYLINDER	262824008.CPS
PROXIMITY SWITCH	270321001.CPS
HEX NUT	033717001
TURNBUCKLE SLEEVE	088185002.CPS
TIE ROD	088184003.CPS

MATERIAL CYLINDER

DESCRIPTION	P/N
DELIVERY CYLINDER	239867001.CPS
DELIVERY CYLINDER 280 X 2100	231149002.CPS

PISTON CUPS

DESCRIPTION	P/N
GUIDE RING	80794006
GUIDE RING DN250	275059006.CPS
8" DELIVERY PISTON	080372004.CPS
9" PISTON RAM	262893000.CPS
9" GUIDE BAND DN 230	080672005.CPS
9" PISTON SEAL	080373003.CPS
9" PISTON FRAME ASSEMBLY	085813005.CPS

PLUNGER CYLINDER

DESCRIPTION	P/N
PLUNGER CYLINDER 160 X 6	262840008VP

WEAR PARTS / PUTZ

FILTERS

DESCRIPTION	P/N
FILTER INSERT 10MY	222895006
BOOM FILTER	273827007
BOOM FILTER	425836
SUCTION FILTER	416341

HYDRAULIC PUMP

DESCRIPTION	P/N
HYDRAULIC PUMP-R125 A4VG125HD W/CHARGE PUMP (FRONT)	273904001
HYDR.PUMP R 125 A4VG125HD W/FEED PUMP(REAR)	266680002

ACCUMULATOR PUMP

DESCRIPTION	P/N
HYDRAULIC PUMP, A10V028(13)DR	067370003

BOOM PUMPS

DESCRIPTION	P/N
HYD.PUMP L 16.0 A2F16/6.1/A6	067925005
COUPLER FOR ABOVE PUMP	247929009.CPS
SEAL SET, INPUT MODULE	471709
SEAL SET, STACK VALVE	471710

PTO BOX

DESCRIPTION	P/N
G64 PTO GEAR GOX	278023000.CPS
G64 HOUSING	284945004.CPS

AGITATOR ASSEMBLY PUTZ TK'S

DESCRIPTION	P/N
HYDRAULIC MOTOR, AGITATOR	484279
SEAL SET F. 484279VP *CPS*	239696007.CPS
MIXER SHAFT RH	288387008.CPS
BEARING FLANGE KIT	242572008.CPS
60MM BUSHING	222484006.CPS
O-RING 60MM	043909003
RUBBER SEAL 60MM MIXER SHAFT	242574006
MIXER SHAFT LH 40MM	050755004.CPS
SUPPORT FLANGE 40MM	220229001.CPS
RUBBER DISC 140 X 36 X 8	210304004
40MM BUSHING	202791007.CPS
TORQUE ARM F.OMH U.OMRA	258034006.CPS
CENTERING DISC FOR MIXER SHAFT	055916000

REAR HOUSING

DESCRIPTION	P/N
WEAR SLEEVE, D220 X 210 X 115	228383004.CPS

WEAR PARTS / PUTZ

AUGER MOTOR FOR AGITATOR

DESCRIPTION	P/N
WEAR PLATE	444384.CPS
CUTTING RING	251231000.CPS
THRUST RING	249304004
O-RING 170MM X 5MM	233925004
S-TUBE 1512P	430336.CPS
WEAR PLATE	430406X
CUTTING RING	430408X
THRUST RING	430378
O-RING 170MM X 5MM	043435001
S-TUBE HEX NUT	033718000
WASHER	274873005

FRONT HOUSING FOR PUTZ TK'S

DESCRIPTION	P/N
FRONT BEARING FLANGE	027783009.CPS
SPLINED WEAR SLEEVE	400494SP
FRONT THRUST WASHER	066586005.CPS
SNAP RING	042174004

REAR HOUSING

DESCRIPTION	P/N
S-TUBE OUTLET BEARING	410504.CPS
WEAR SLEEVE	261611005.CPS

SWING LEVER & PLUNGER CYLINDERS FOR PUTZ TK'S

DESCRIPTION	P/N
SHIFT LEVER W/ SQ DIAM 80	458733.CPS
PLUNGER CYLINDER 60MM	262840008.CPS
PISTON ROD 60MM	254427002.CPS
BALL CUP/SOCKET	275694005.CPS

HOPPER DOOR FOR PUTZ TK'S

DESCRIPTION	P/N
CLOSING SLIDE HOPPER DOOR	242334000.CPS
ROUND CORD	233915001
HOPPER TRAP DOOR BOLT	407313
HOPPER TRAP DOOR BUSHING	066181002

WEAR PARTS / PUTZ

MISC PARTS PUTZ TK'S

DESCRIPTION	P/N
SWITCHING CAM	277389004
HOPPER GRATE	419553.CPS
SOLENOID COIL, 12V ACCUMULATOR	267378009
MECHANICAL LIMIT SWITCH	452208.CPS
E-STOP BOX	433369
RUBBER BEARING FOR HOPPER GRATE	432235.CPS
FILTER	311660
FUEL FILTER ELEMENT FOR A950092	A950093

PISTON CUPS PUTZ TK'S

DESCRIPTION	P/N
GUIDE RING D180-7"	056123009
DELIVERY PISTON SEAL, (7") D180	056720004
GUIDE RING, D130 X D150 X 20.5	019447007.CPS
DELIVERY PISTON SEAL, D150	056839005.CPS

WATERBOX AND WATER PUMP

DESCRIPTION	P/N
RUBBER BUFFER , D50 X 60 M8 X 26	019011006.CPS
SPACER FLANGE	401503.CPS
PISTON ROD FLANGE	263558001.CPS

DIFFERENTIAL CYLINDERS PUTZ TK'S

DESCRIPTION	P/N
GUIDE RING, 63 X 24	065976001.CPS
ROD SEALS SET, CPL., D 63	024294009
O-RING, 102 X 4 NDIN3771 FPM 75	042762005
BACK-UP RING, 110 X 3.4 X 1.5	061121009
WIPER RING, 63 X 71 X 7 P38	062814001
SEAL KIT, E2-45	067021006.CPS
GUIDE RING, 45 X 19	066582009
WIPER RING, D45 X 53 X 7 P38	067023004
BACK-UP RING	067473007

GEAR PUMPS

DESCRIPTION	P/N
SINGLE GEAR PUMP	235383000.CPS

WEAR PARTS / SCHWING

AGITATORS

DESCRIPTION	P/N
AGITATOR BEARING, DRIVE SIDE L.H.*CPS*	10061072.CPS
AGITATOR BEARING, R.H.*CPS*	10061073.CPS
BUSHING/BEARING (HOPPER)	10061074.CPS
FLANGE SHAFT LH	10061075.CPS
SEALING CONE	10061076
BUSHING D 60/68 X 23	10061077
BAR MACHINED BUSHING	10061078.CPS
ALUMINUM PLATE 6061-T651, COVER, 1.22'''	10061079
FLANGED SHAFT	10061080.CPS
ROUND DISC	10061081
BUSHING-2.367 X 1.957" BRONZE 660"	10061082.CPS
BRASS DISC, 0.197 C360-H02"	10061083
SEAL KIT FOR AUGER MOTOR	30321012
MOTOR HYD F/AGITATOR SCHWING	10039180.CPS

PISTON RAMS

DESCRIPTION	P/N
RAM, FLANGE STYLE DN150(6)*CPS	10161863.CPS
RAM-FLANGE STYLE DN 180-7"	10161781.CPS
RAM,8" FLANGE STYLE DN200	10161754.CPS
RAM FLANGE STYLE DN230 (9")	10161634.CPS
RAM FLANGE STYLE DN 250 (10")	10161980.CPS

MATERIAL CYLINDERS

DESCRIPTION	P/N
PUMPING CYLINDER DN 230 X 2133	10019377.CPS
TRANSITION PIECE W/ FLANGE DN230/210 *CPS*	10078435.CPS
O-RING, 265 X 5	10000663
ROCK VALVE REDUCER DN 250/220	10181242.CPS
PUMPING CYLINDER DN 250 X 2500	10178873.CPS

HOPPER DOOR PARTS FOR SP

DESCRIPTION	P/N
SEAL-GASKET, RING DN 250	10035783.CPS
GATE DISCHARGE ROCK VALVE	10080782.CPS
CLAMP PIECE, LH (HOPPER DOOR)	10032789.CPS
CLAMP PIECE, RH (HOPPER DOOR)	10032788.CPS

MATERIAL CYLINDERS

DESCRIPTION	P/N
CYLINDER 150MM(6") X 1000MM O.A.L.-(1125MM) CHROME	30373731.CPS

WEAR PARTS / SCHWING

ACCESSORIES

DESCRIPTION	P/N
CARBIDE WEAR INSERT DN 230	10080782.CPS
DISCHARGE FLAP, HOPPER DOOR SHORT-ROCK	30330517
CLAMP-CUP, TENSION DN 150	10043559.CPS
WEDGE FOR DOOR	10004709CB
GEARSHIFT FORK WITH SHIFTING ROD	10012464.CPS
THREADED STUD BOLT	10002386
PIPE SADDLE,(PLASTIC)DN 125 PIPE ALL-KVM	10038880
WMT - AGITATOR, E-ROCK HOPPER	10167220.CPS
METRIC TIP COUPLING W/ FLANGE	10133242.CPS

AGITATOR PARTS FOR SP

DESCRIPTION	P/N
SEAL KIT FOR WHITE HYD.MOTOR PE444002	30321012
BUSHING/BEARING(HOPPER)	10061074.CPS
BUSHING D 60/68 X 23	10061077
SEALING CONE	10061076
BEARING FLANGE CLOSED	10011747.CPS
BUSHING 56/D 45 X 45	10007772
BAR - ROUND 2 1/2" 8620H BUSHING	10064515.CPS
ROLL PIN 13 X 60 DIN1481	10065383
COUPLING HOPPER MOTOR BUSHING	10064514.CPS

WEAR PARTS

DESCRIPTION	P/N
ROCK VALVE DN210/180 M *CPS*	10059467.CPS
SHAFT - SLEWING SHORT ROCK 2 BOLT STYLE *CPS*	10064073.CPS
VALVE-ROCK, DN220/180 B *CPS*	10181912.CPS
SHAFT - SLEWING - B-ROCK	10180090.CPS
KIDNEY SEAL DN135	10032182.CPS
KIDNEY SEAL DN 180	10029138.CPS
KIDNEY PLATE DN135 OUTLET SIDE*CPS*	10025851.CPS
HOUSING LINING DN180 KIDNEY PLATE	10018046.CPS
CUTTING RING DN 165	10063938.CPS
CUTTING RING DN210 STANDARD	10063939.CPS
BACK-UP RING DN210 FOR 10059467	10158880.CPS
CUTTING RING, DN220	10181916.CPS
PRESSURE SPRING DN165	10064473
PRESSURE SPRING DN 210	10064472
PRESSURE SPRING DN 220	10181917
PRESSURE SPRING DN 230 RUBBER	10166975
PLT-LINING, ROCK VALVE, DN180, INLET	10129807.CPS
WEAR PLATE DN150 - 6" ROCKVALVE	10129809.CPS
CASTING-WEAR PLATE, DN200-8	10074767.CPS
WEAR PLATE DN 230	10074768.CPS
BASE PLATE DN 180/200/230 (NON CARBIDE)	10074769.CPS
BASE PLATE, DN250 FOR STD PLATE	10166657.CPS
ROCK VALVE, OUTLET INSERT	10018029.CPS

WEAR PARTS / SCHWING

CARBIDE WEAR PARTS

DESCRIPTION	P/N
CARBIDE WEAR INSERT DN230	10081097ZF
CARBIDE CUTTING RING DN210	10081098ZF
WEAR PLATE SMALL (HARDENED FOR CARBIDE BASEPLATE)	10146064ZF
BASE PLATE FOR CARBIDE INSERTS	10146062ZF
WEAR PLATE LARGE (HARDENED FOR CARBIDE BASEPLATE)	10146063ZF
CARBIDE INSERT DN220 RIGHT	10190439ZF
CARBIDE INSERT DN220 LEFT	10183355ZF
CUTTING RING D220 CARBIDE	10182449ZF
WEAR PLATE SMALL CARBIDE	10183641ZF
WEAR PLATE LARGE CARBIDE	10183640ZF
PLT-BASE, CARBIDE, E-ROCK, DN220	10183638ZF

WEAR PARTS FOR SP

DESCRIPTION	P/N
ROCK VALVE DN165/135 SHORT	30394421.CPS
ROCK VALVE, DN 165/135 LONG COMPLETE	30394422.CPS
RAM-FLANGE STYLE DN 180-7"	10161781.CPS
PLT-LINING,ROCK VALVE, DN180, INLET	10129807.CPS
RAM, FLANGE STYLE DN150(6)	10161863.CPS
WEAR PLATE DN150 - 6" ROCKVALVE	10129809.CPS
CUTTING RING DN165	10063938.CPS
PRESSURE SPRING DN165	10064473
KIDNEY SEAL DN135 *CPS*	10032182.CPS
KIDNEY PLATE DN135 OUTLET SIDE	10025851.CPS
SEALING LID 1"	10066146.CPS

BUSHINGS & O-RINGS FOR SP

DESCRIPTION	P/N
O-RING, 150 X 4 BUNA N70	10000458
BEARING BUSHING D 70/85 X 57	10067810.CPS
O-RING, 70 X 8	10017436
O-RING, 150 X 3 BUNA N70	10032815
O-RING, 12 X 3.5	10000203
O-RING, 148 X 5 NBR 90	10000455
O-RING, 65 X 8 NBR 80	10004677
O-RING, 35 X 3	10000627
BUSHING, D 2.563 X 2.559" C932	10025626.CPS



 **1 STOP SHOP!**



ENVIROSAC WASHOUT BAGS

BAGS

ENVIROSAC BAGS

PRODUCT NAME	DESCRIPTION	CAPACITY	DIMENSIONS	P/N
CONCRETE PUMP HOPPER WASHOUT BAG	FOR USE IN CLEANING OUT BOOM HOPPERS	1.30 CU YD	72" X 42" X 16"	BAG_PU_XL_LIN
SMALL LINE PUMP WASHOUT BAG	FOR USE IN CLEANING OUT LINE PUMPS AND TRAILER PUMPS	0.85 CU YD	43" X 43" X 19"	BAG_HYBRID_MD
READY-MIX WASHOUT BAG	FOR USE IN CLEANOUT OF MULTIPLE READY-MIX TRUCKS	2.00 CU YD	42" X 42" X 43"	BAG_RM_LG_LIN
CHUTE WASHOUT BAG	FOR USE IN CLEANUP OF READY-MIX CHUTES	0.1 CU YD	19" X 19" X 20"	BAG_RM_CHUTE-LI
LARGE CHUTE WASHOUT BAG	FOR USE IN CLEANUP OF READY-MIX CHUTES	0.25 CU YD	25" X 25" X 20"	BAG_RM_CHUTE_LG-LI
EXTRA LARGE CHUTE WASHOUT BAG	FOR USE IN CLEAN UP OF MULTIPLE READY-MIX CHUTES	0.7 CU YD	32" X 32" X 32"	BAG_RM_CHUTE-XL
PRIMEOUT BAG	FOR CAPTURE OF PRIMEOUT MATERIAL	1.25 CU YD	35" X 35" X 40"	BAG_DECK_LG
GENERAL PURPOSE BAG	FOR GENERAL CONSTRUCTION SITE DEBRIS	1.04 CU YD	35" X 35" X 40"	BAG_BULK_LG

Unlined Bags
Also Available



CONCRETE PUMP PRIMERS

ENVIROSYSTEMS PRIMERS

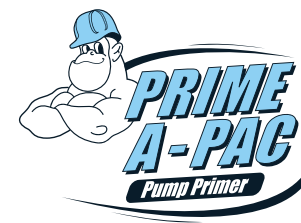
DESCRIPTION	P/N
PUMP PRIMER	SLICK WILLIE 2
PUMP PRIMER	SLICK WILLIE 3.0
PUMP PRIMER	PRIME A PAC
LIQUID PUMP PRIMER	KICKSTART



Made by Pump Operators for Pump Operators.
Highest Viscosity of Any Pump Primer.
Lab Created and Field Tested.
60 Primes Per Box.



Industry Leader Combining Speed and Performance.
Works With Any Type of Concrete Pump.
Coats Inside Wall of Pipe and Hose System.
Trusted, Time Tested, Cost Efficient and Versatile.



First Choice Among Line Pump Operators.
Each 2lb Bag Replaces a 94lb Bag of Portland Cement.
The Original, Prepackaged Primer. The One Operators Count On!



Fastest dissolving and thickest mixture for priming.
Smaller Packaging Saves Money in Shipping Cost.
2 Primes Per Bottle.



CONCRETE SUPPORT PRODUCTS

CRETEBUSTER

DESCRIPTION	P/N
FAST ACTING CONCRETE REMOVER THAT IS SAFE ON PAINT, METAL, RUBBER AND CHROME	CRETEBUSTER5

ENVIROGEL

DESCRIPTION	P/N
ADDITIVE USED TO SOLIDIFY LIQUID OR SLURRY, 20 PACKS PER PAIL	ENVIROGEL

SLOW WILLIE

DESCRIPTION	P/N
ADDITIVE FOR DELAYING THE SET UP TIME OF CONCRETE, AVAILABLE IN BOXES OR PAILS 20 PACKS IN EACH	SLOW WILLIE



1 STOP SHOP!

TO ORDER

For North American Sales Call **877.434.7867** (PUMP)

Go Online ConcretePumpSupply.com Or



Serving ALL of North America
GEORGIA • TEXAS • CALIFORNIA

Outside Sales Support
FLORIDA
Tampa