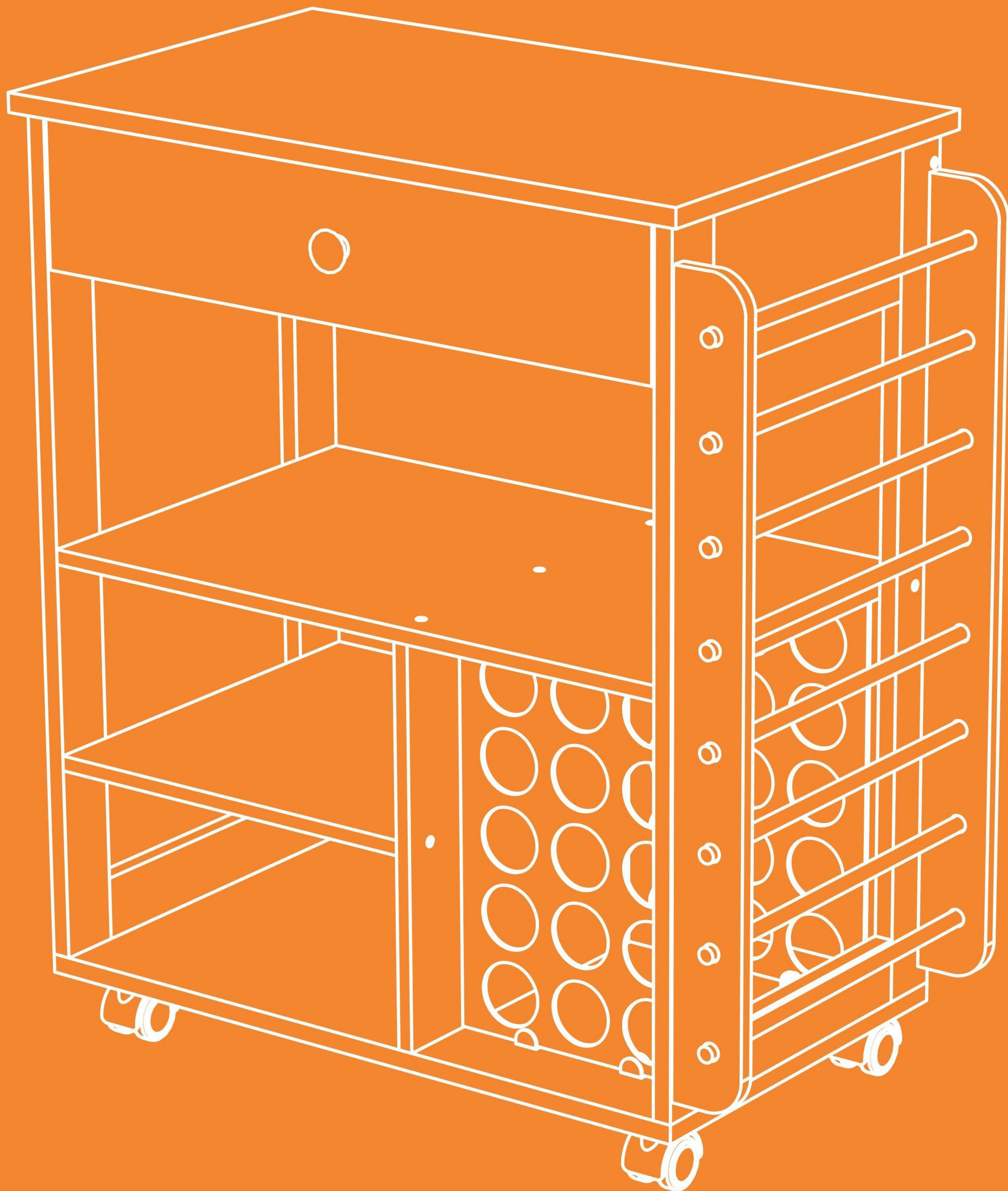


INSTRUCTION MANUAL

Craft Storage Cart



L23.6"*D14.2"*H31.4"

ASSEMBLY VIDEO

Please scan the QR code to view the assembly video.
Or go to: <https://bit.ly/3n0dhNw>



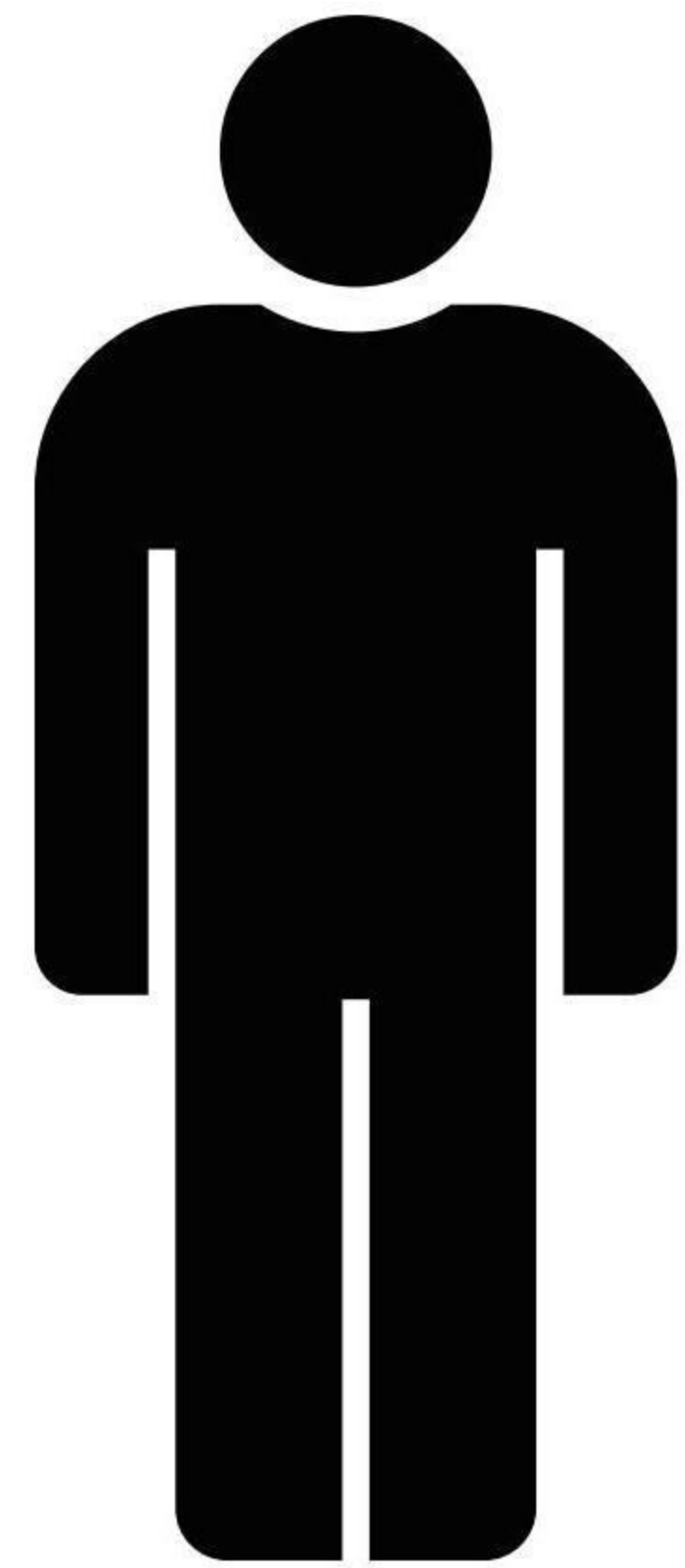
• Notice

Please check all components in the package before installation. Please feel free to contact us if there is any part missing.

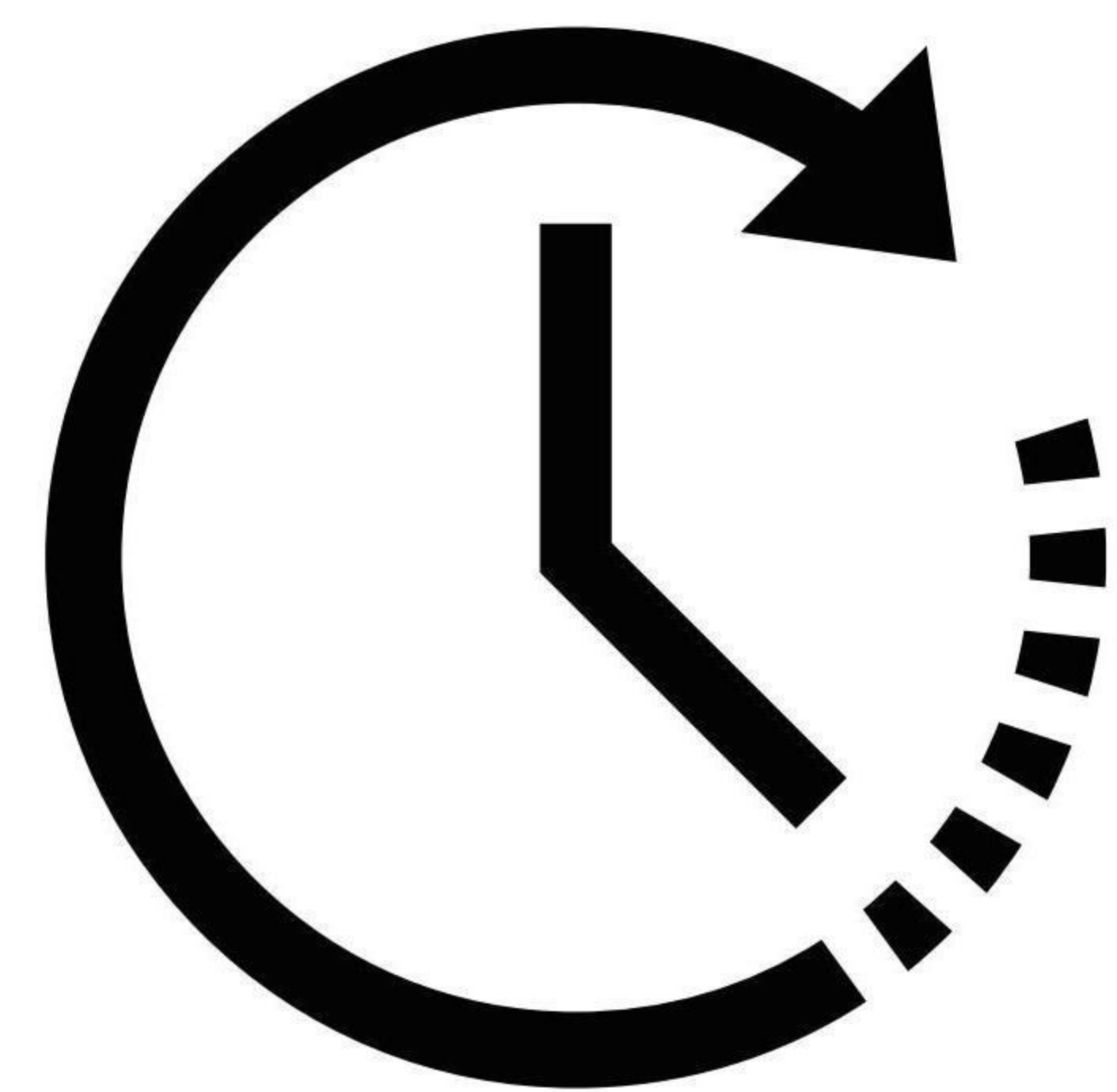
• Hardware



110LBS TOTAL
CAPACITY

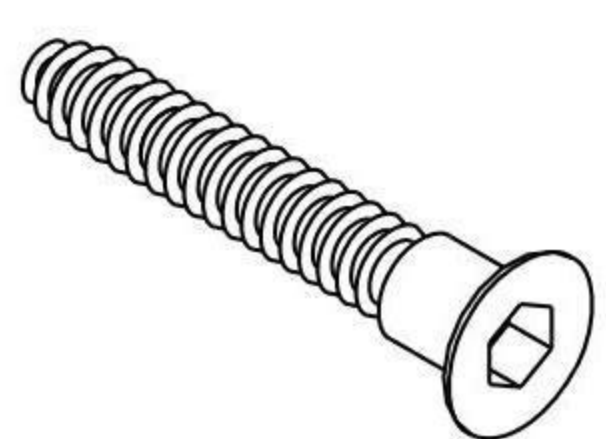


1 PERSON
ASSEMBLY



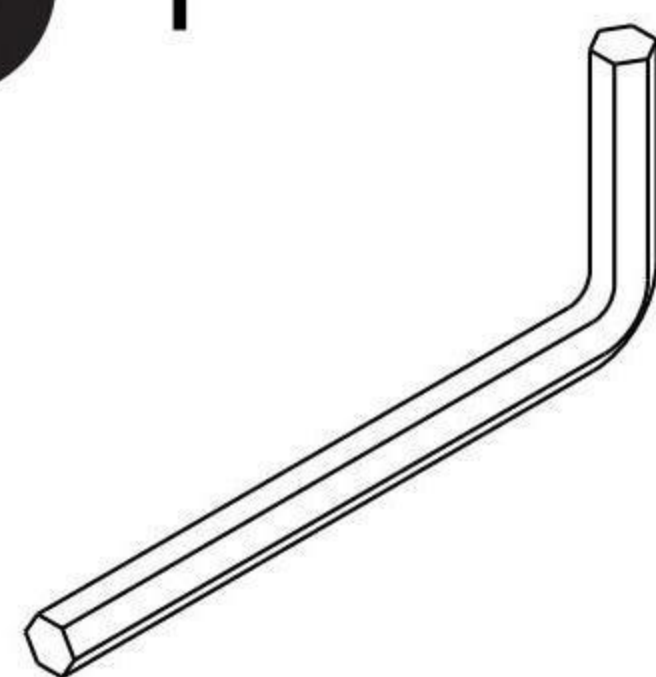
UP TO 60 MIN
ASSEMBLY

A *32



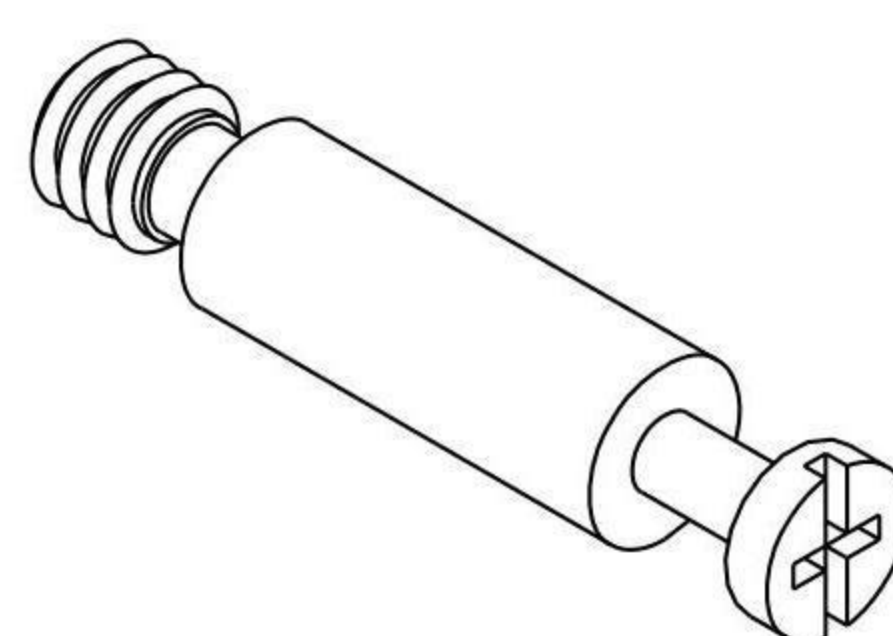
Mode:Φ5*40

B *1



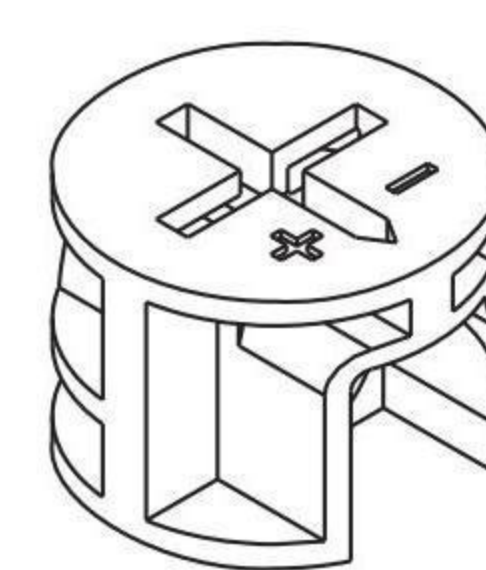
Mode:Φ3mm

C *13



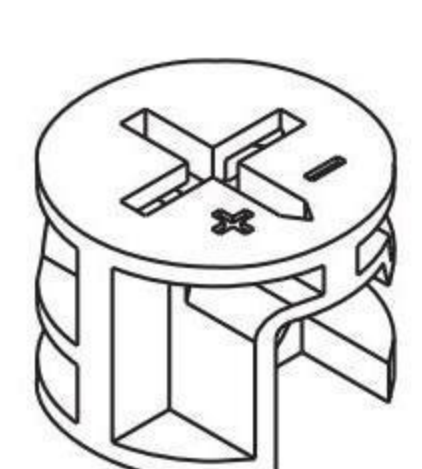
Mode:Φ7*35

D *9



Mode:Φ15

E *4



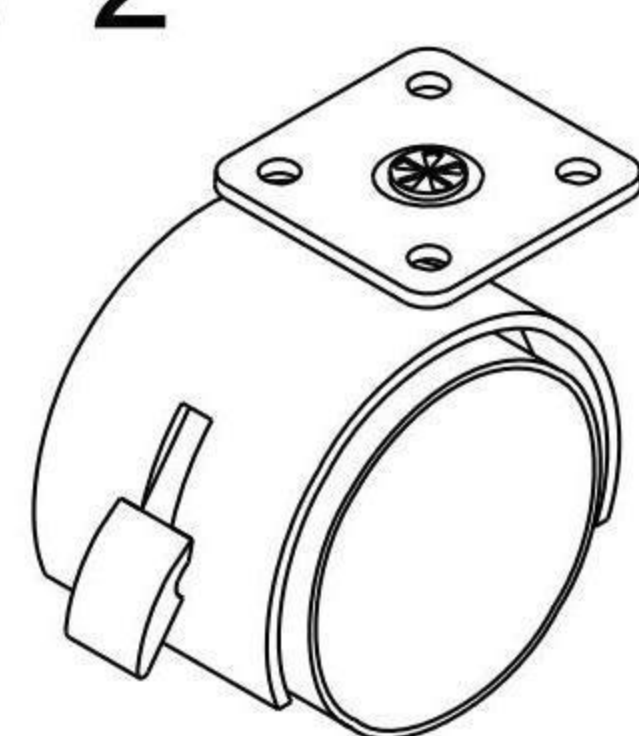
Mode:Φ12

F *18



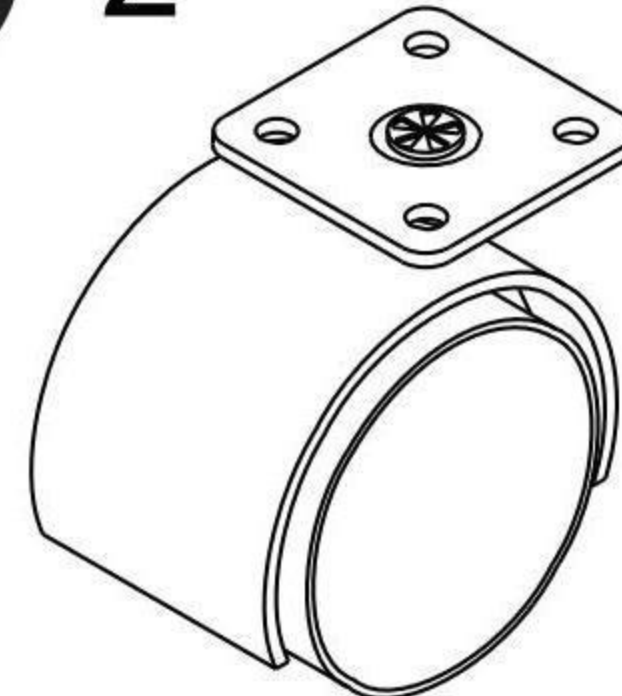
Mode:Φ3.5*14

G *2



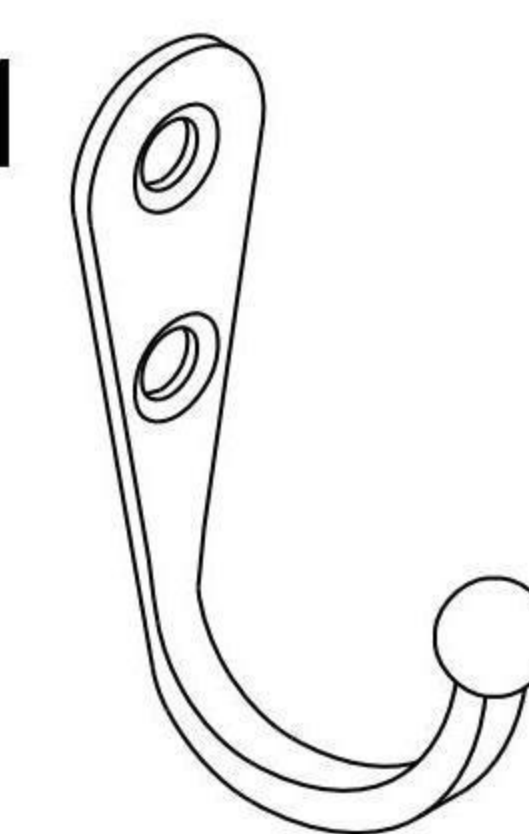
Mode:ΦH55

H *2



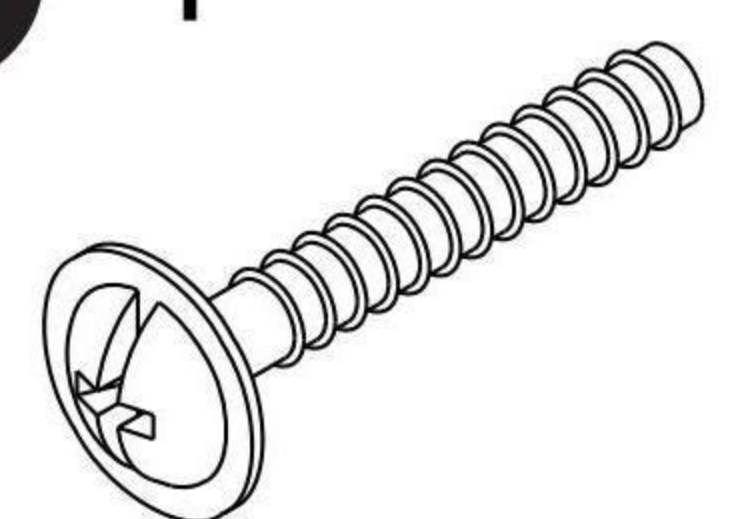
Mode:ΦH55

I *1



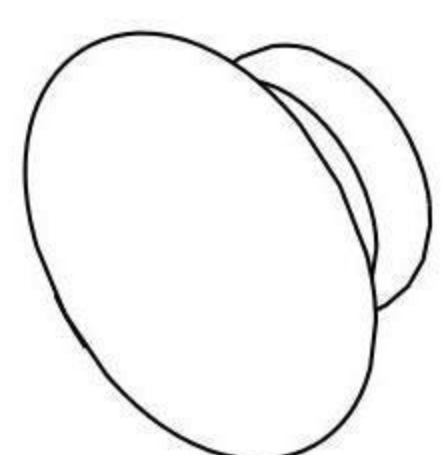
Mode:Φ42*12.5

J *1



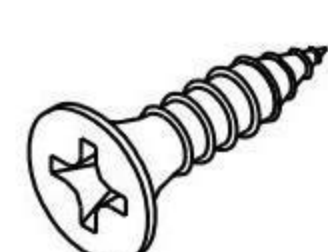
Mode:ΦM4*18

K *1



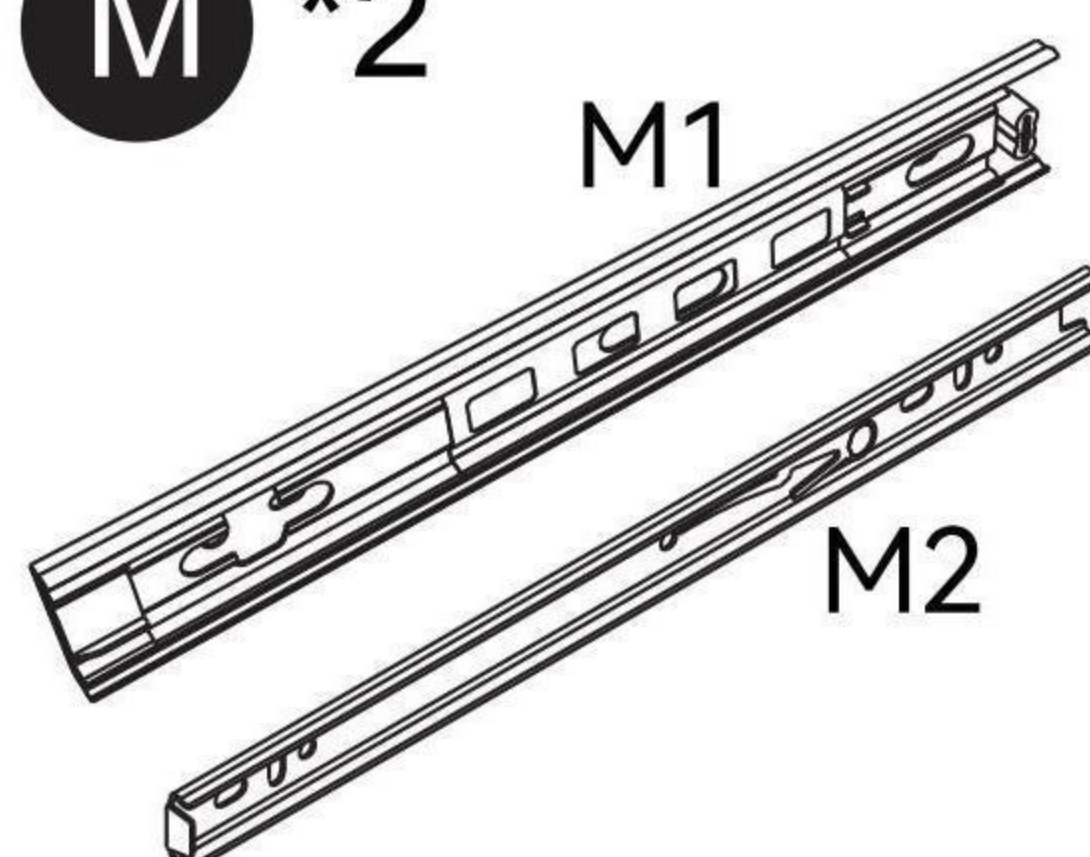
Mode:Φ28*18

L *16



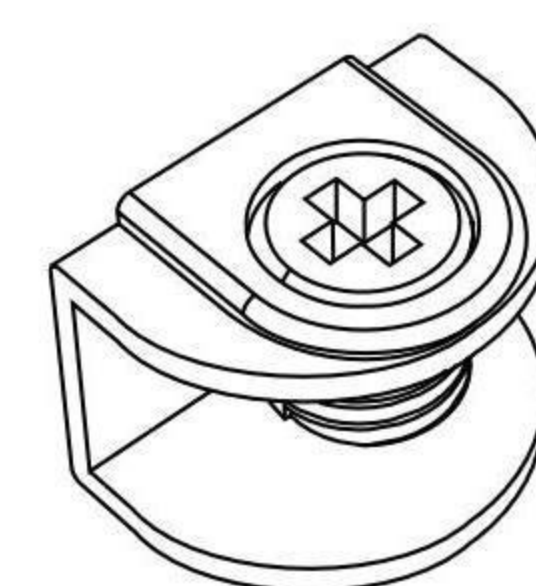
Mode:Φ3.5*10

M *2



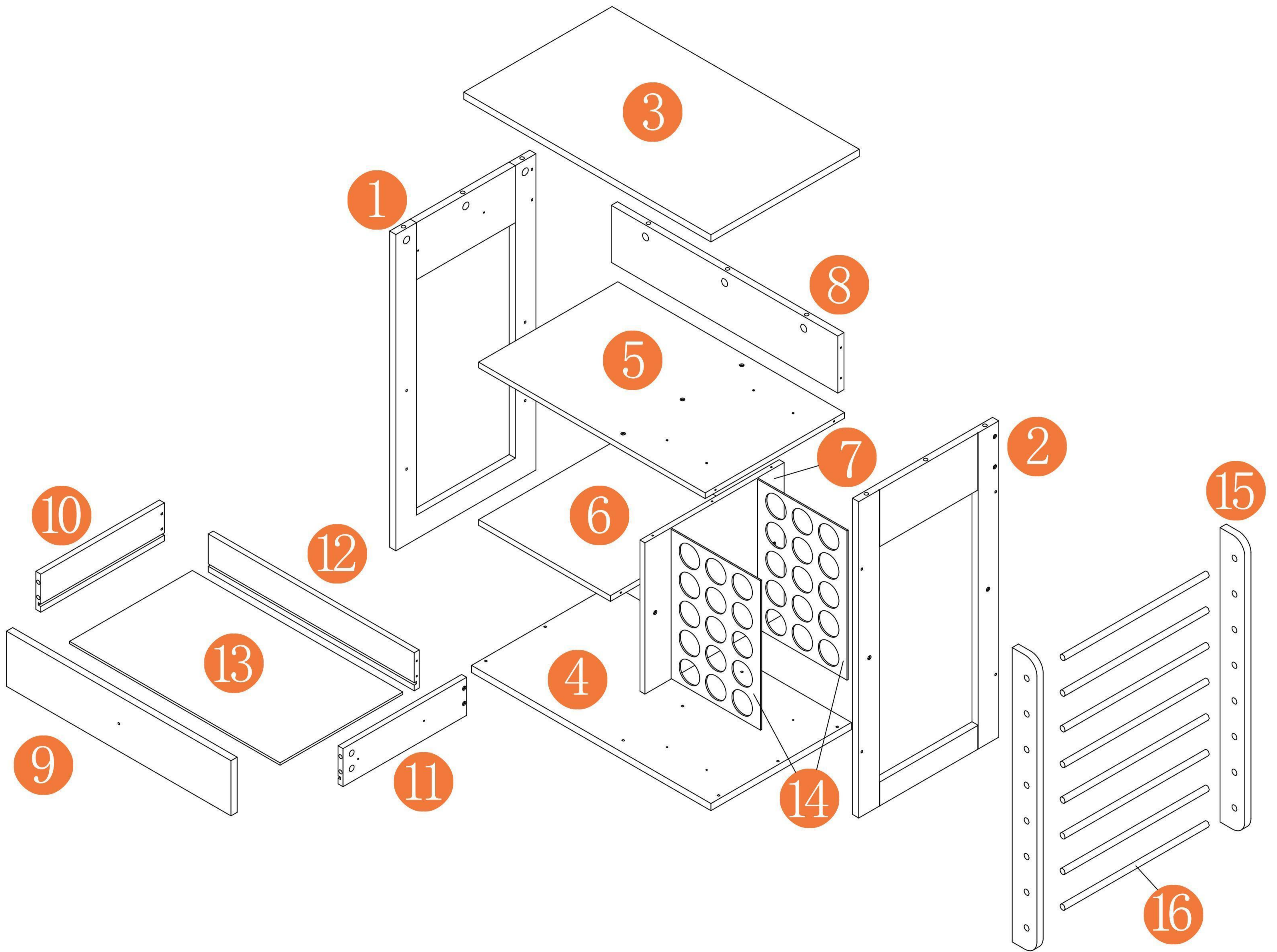
Mode:Φ10"

N *8



Mode:Φ14*10*12

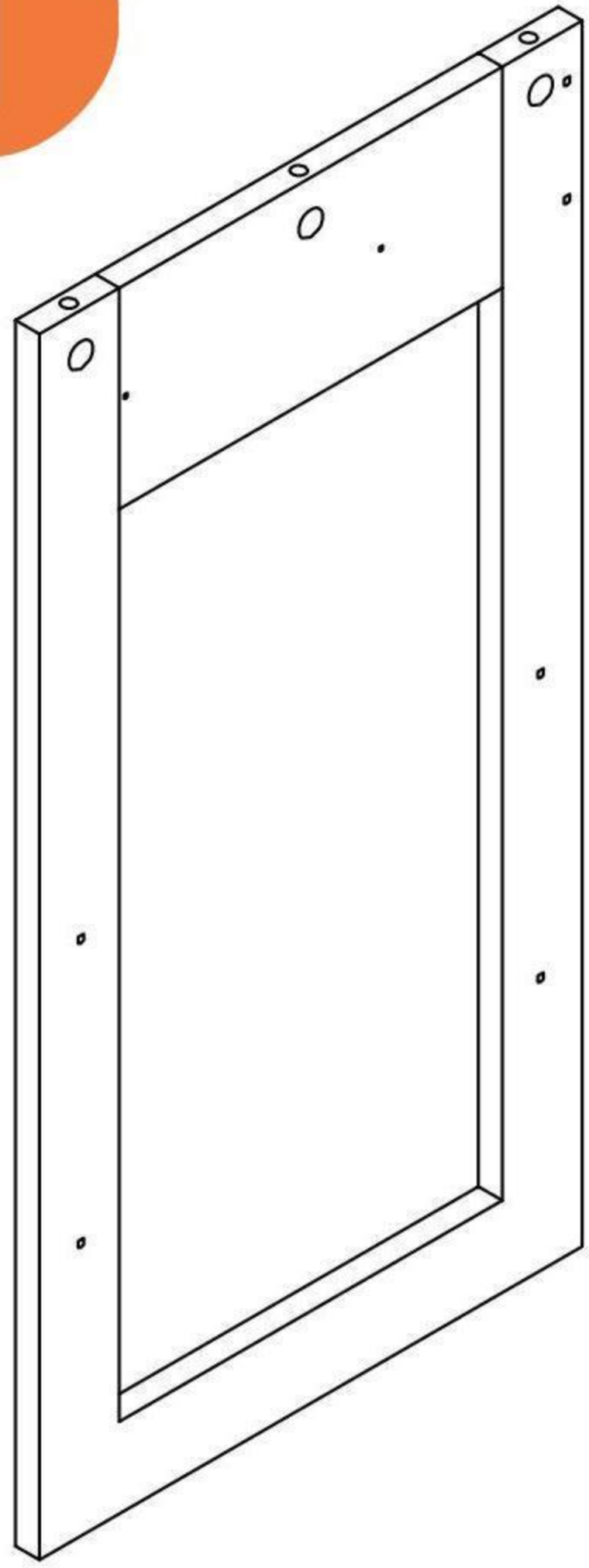
PARTS



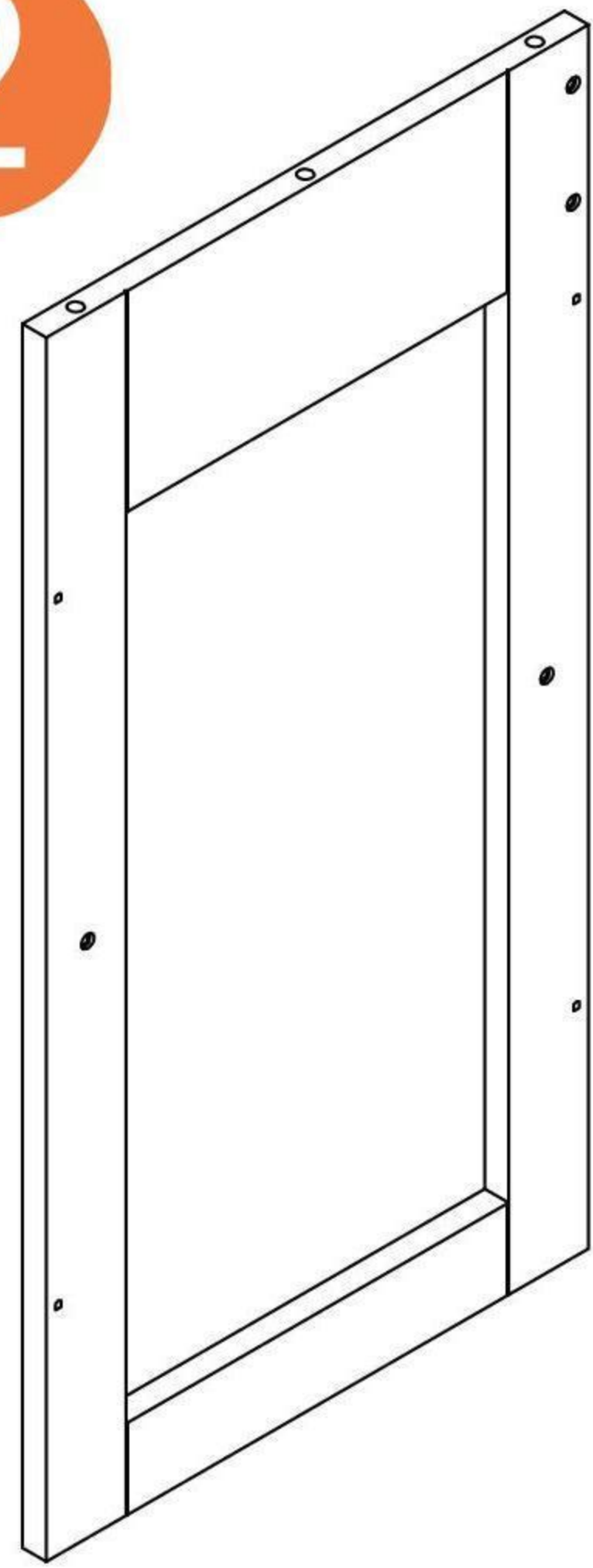
1	2	3	4	5	6	7	8
Left Side	Right Side	Table Top	Table Bottom	Shelf Top	Shelf Bottom	Shelf Support	Table Back
1PC	1PC	1PC	1PC	1PC	1PC	1PC	1PC

9	10	11	12	13	14	15	16
Drawer Front	Drawer Left	Drawer Right	Drawer Back	Drawer Bottom	Vinyl Panel	Vinyl Side	Rod
1PC	1PC	1PC	1PC	1PC	2PC	2PC	8PC

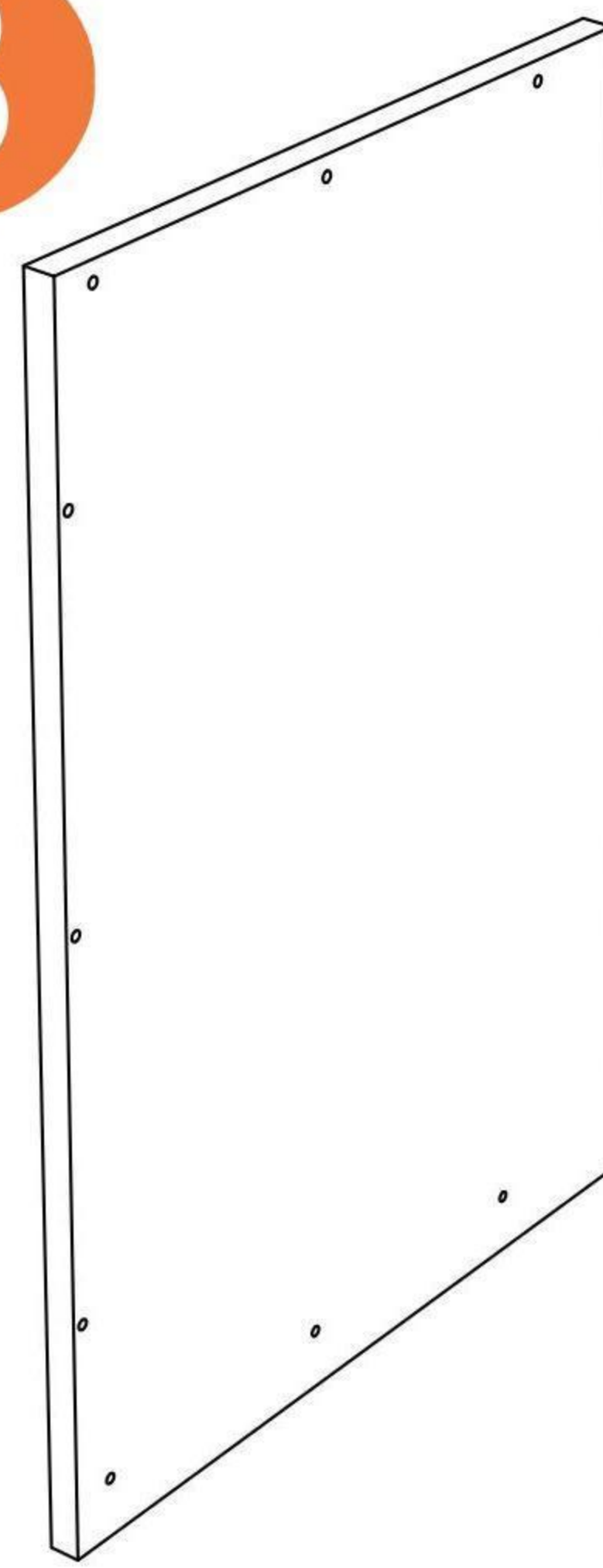
1



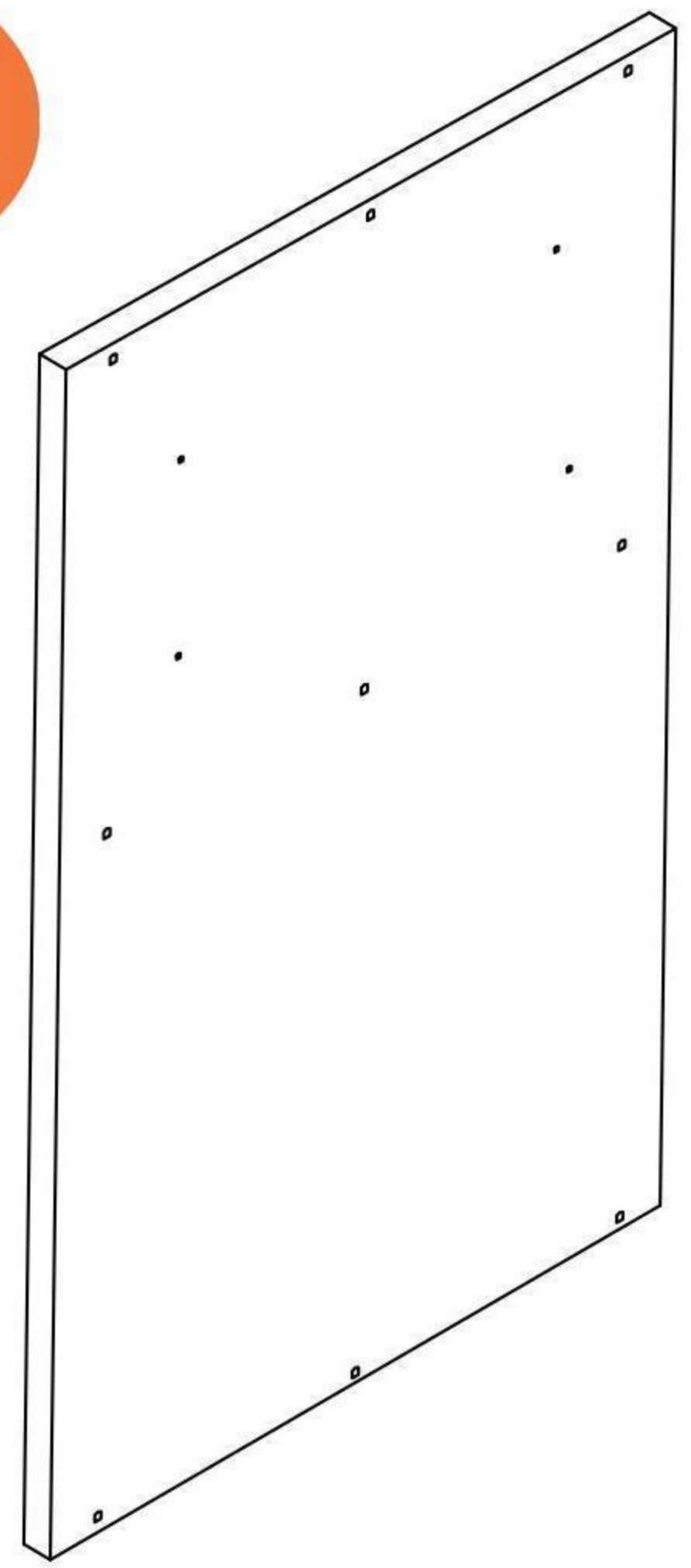
2



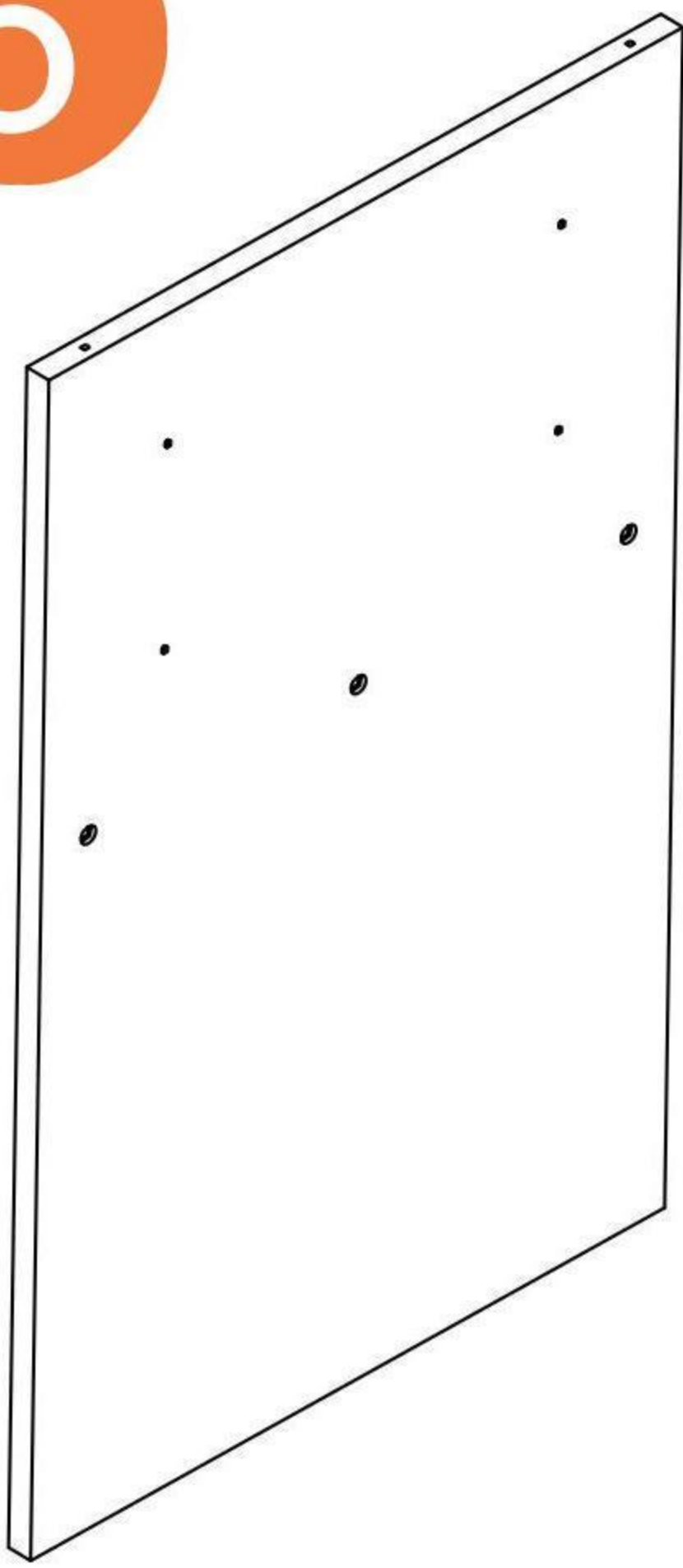
3



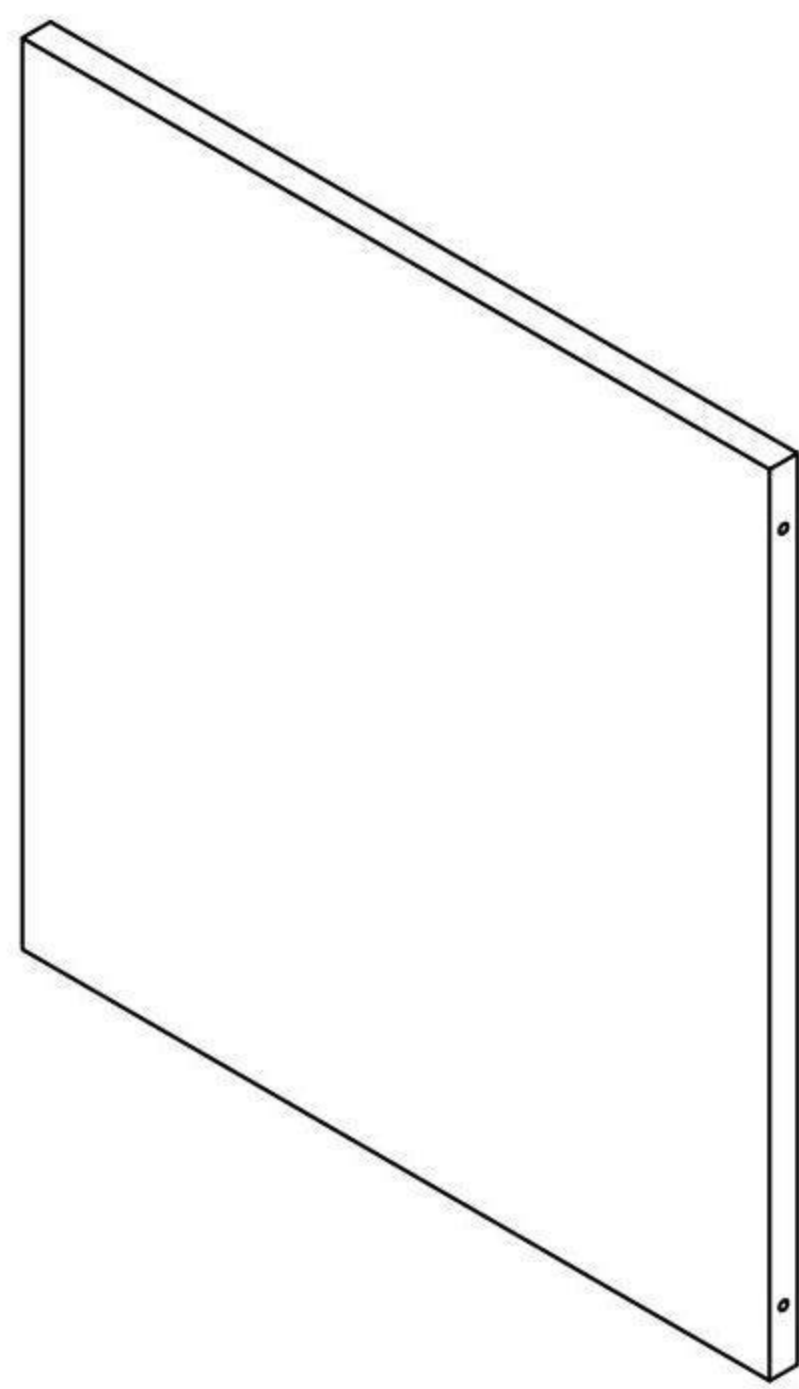
4



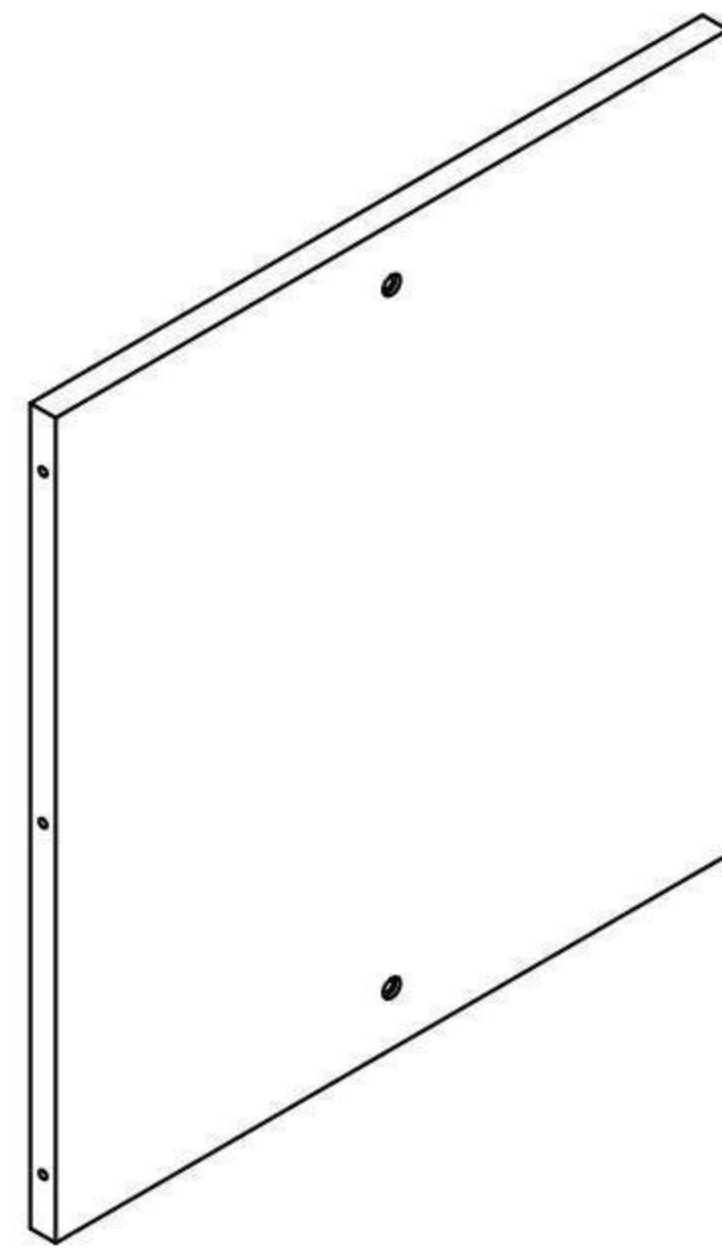
5



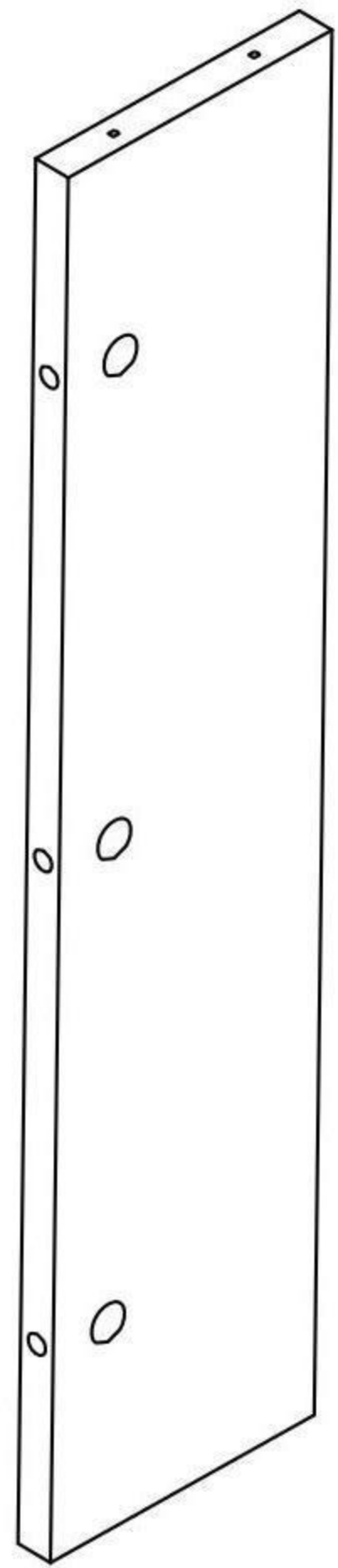
6



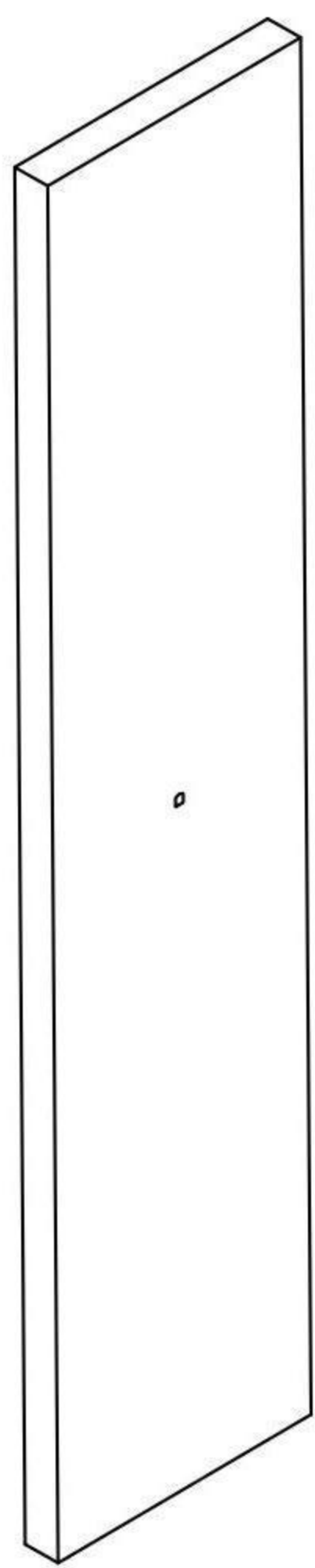
7



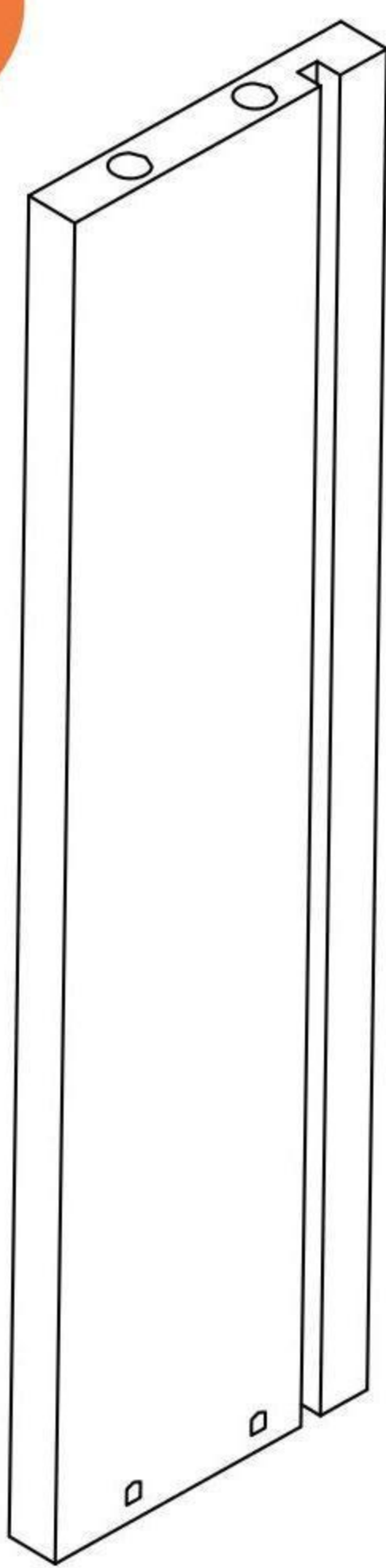
8



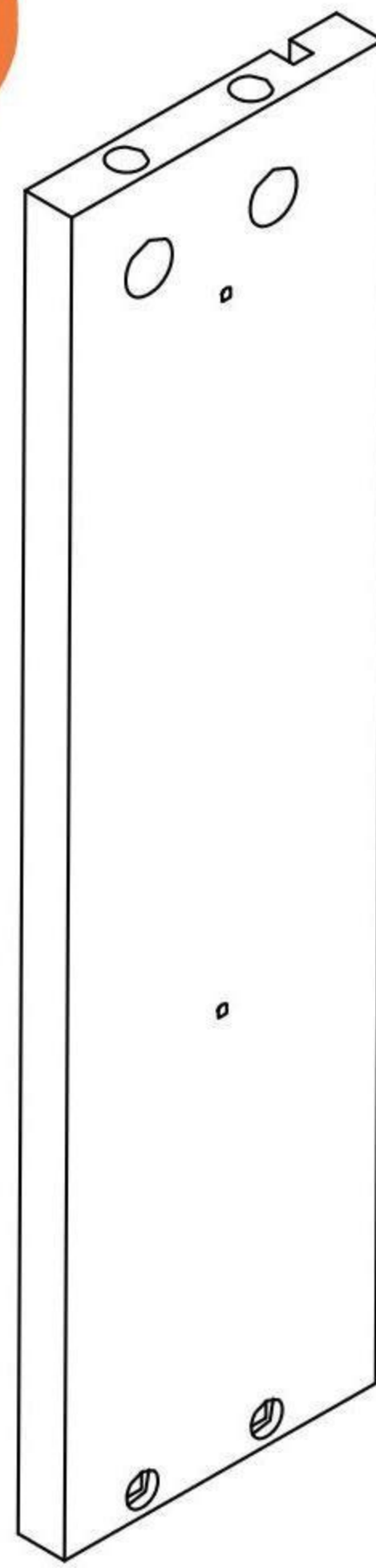
9



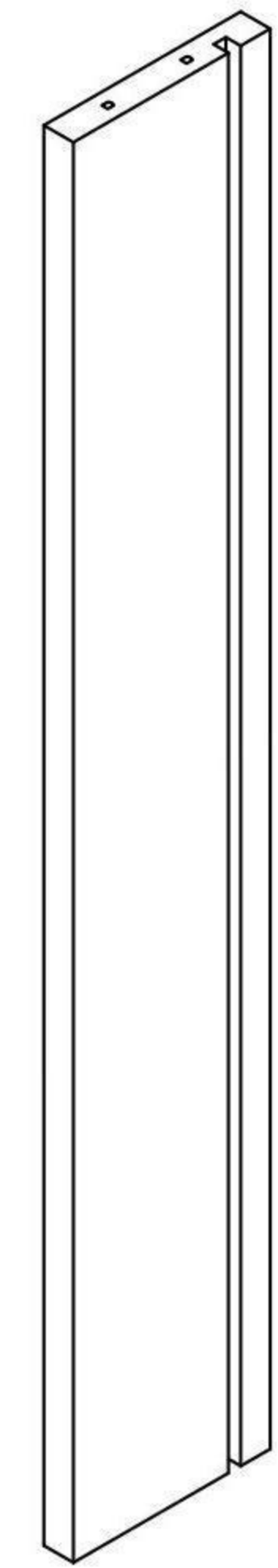
10



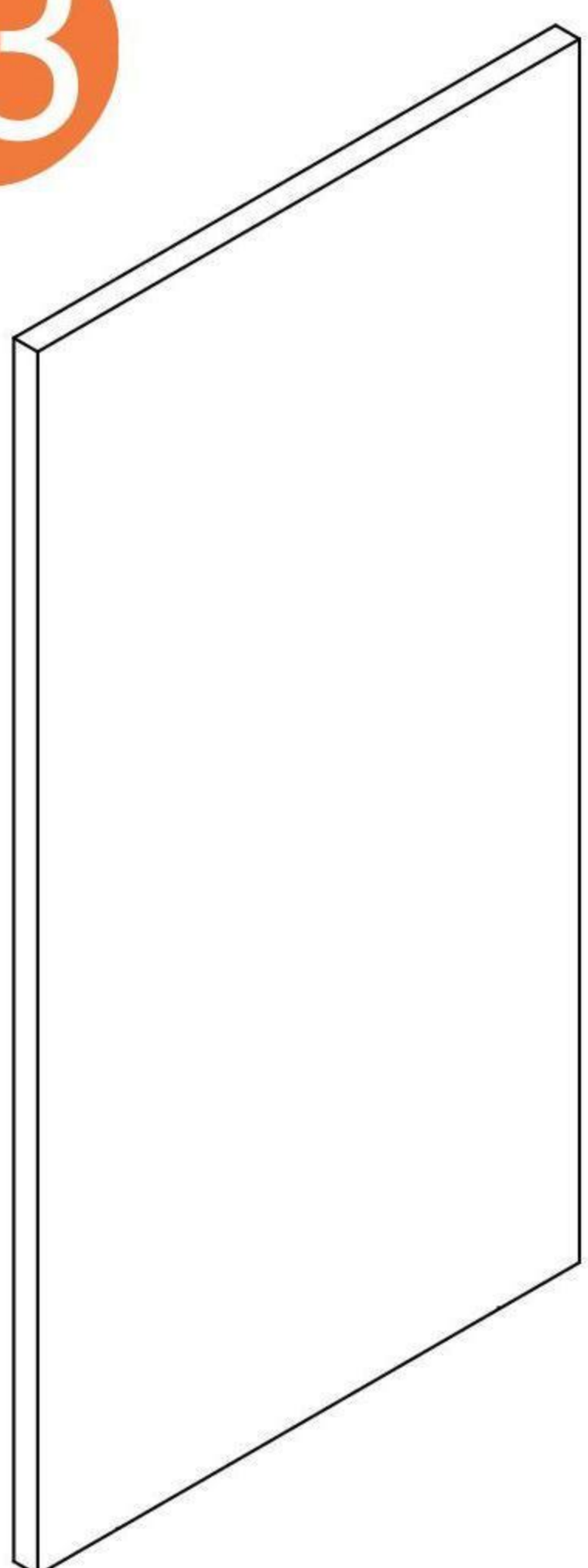
11



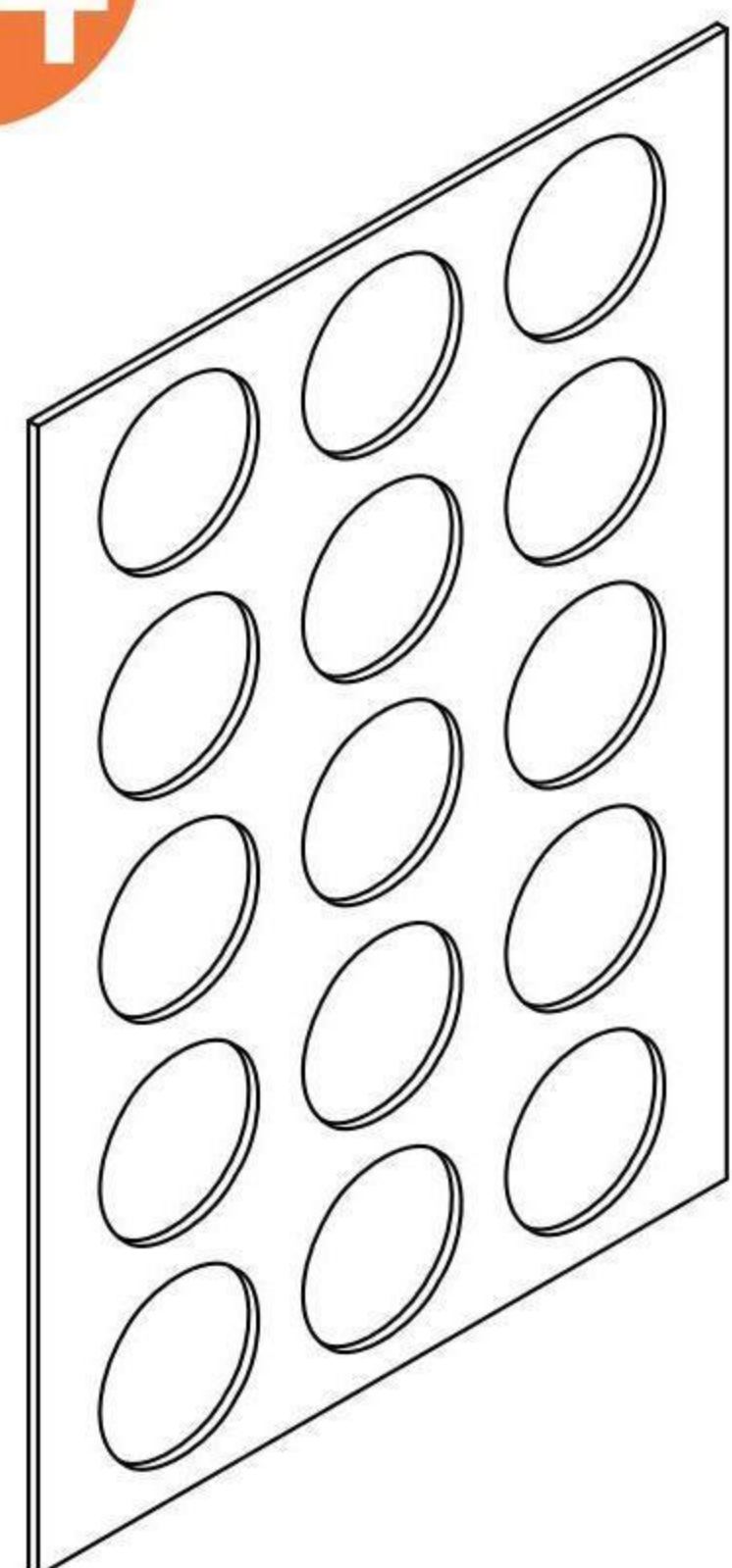
12



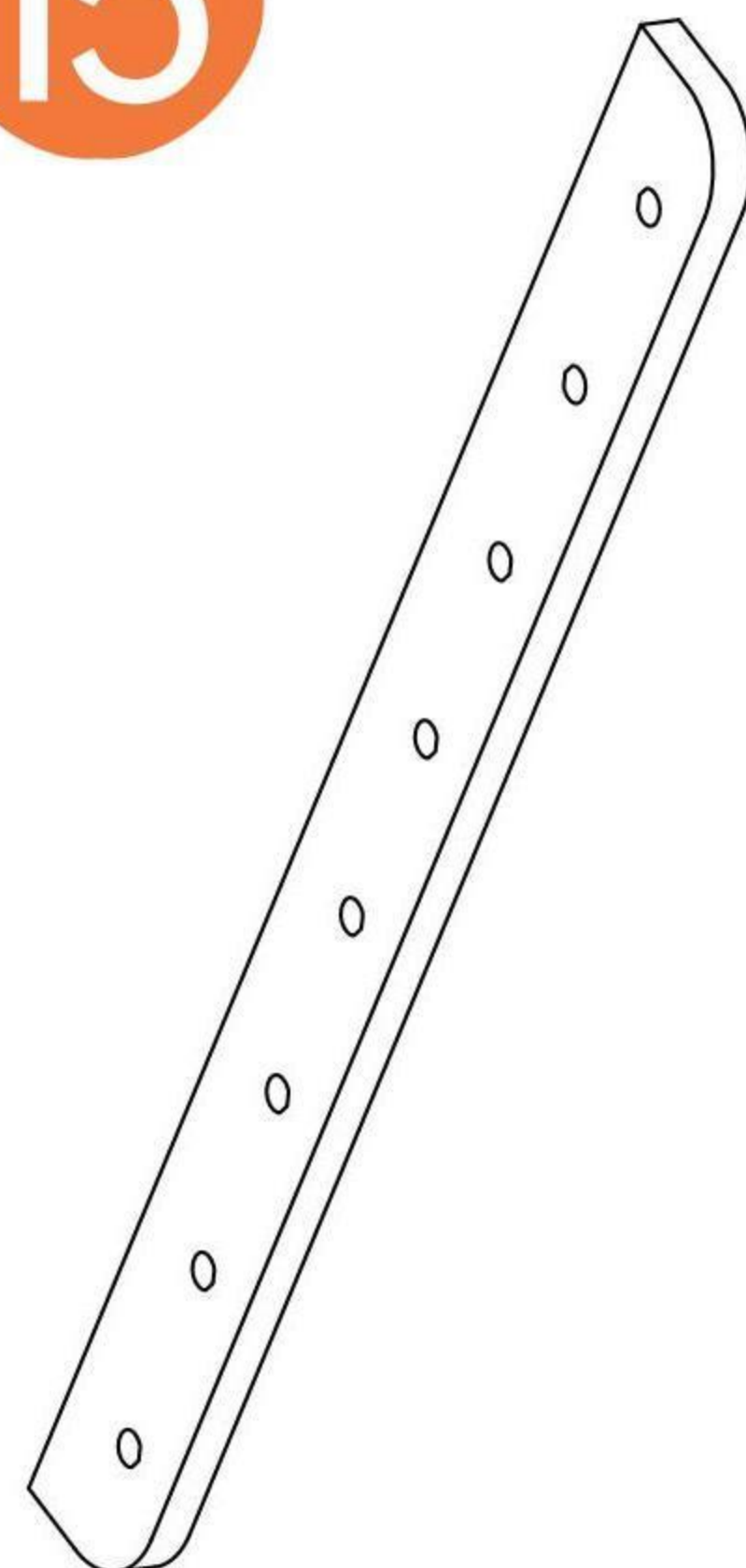
13



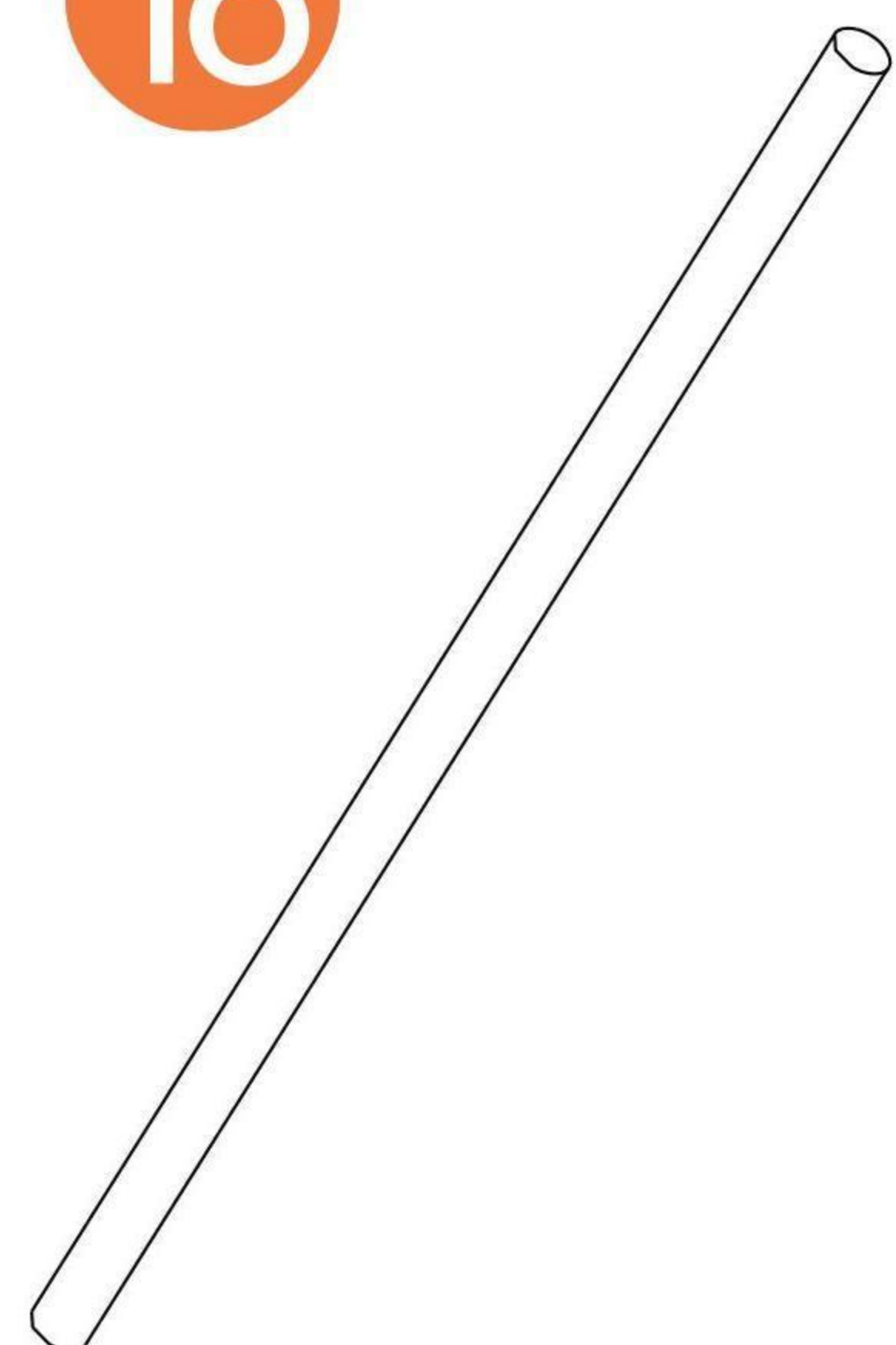
14



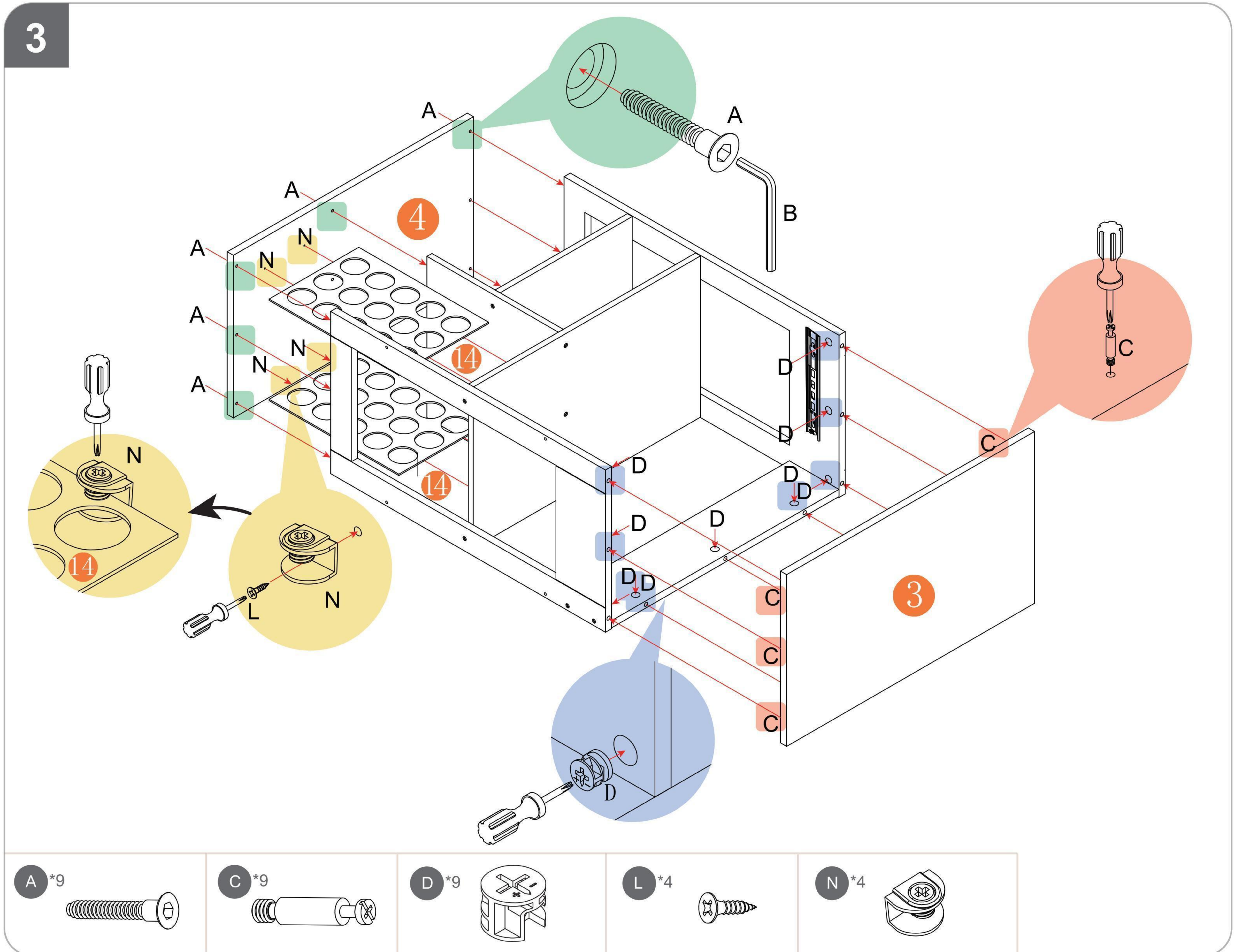
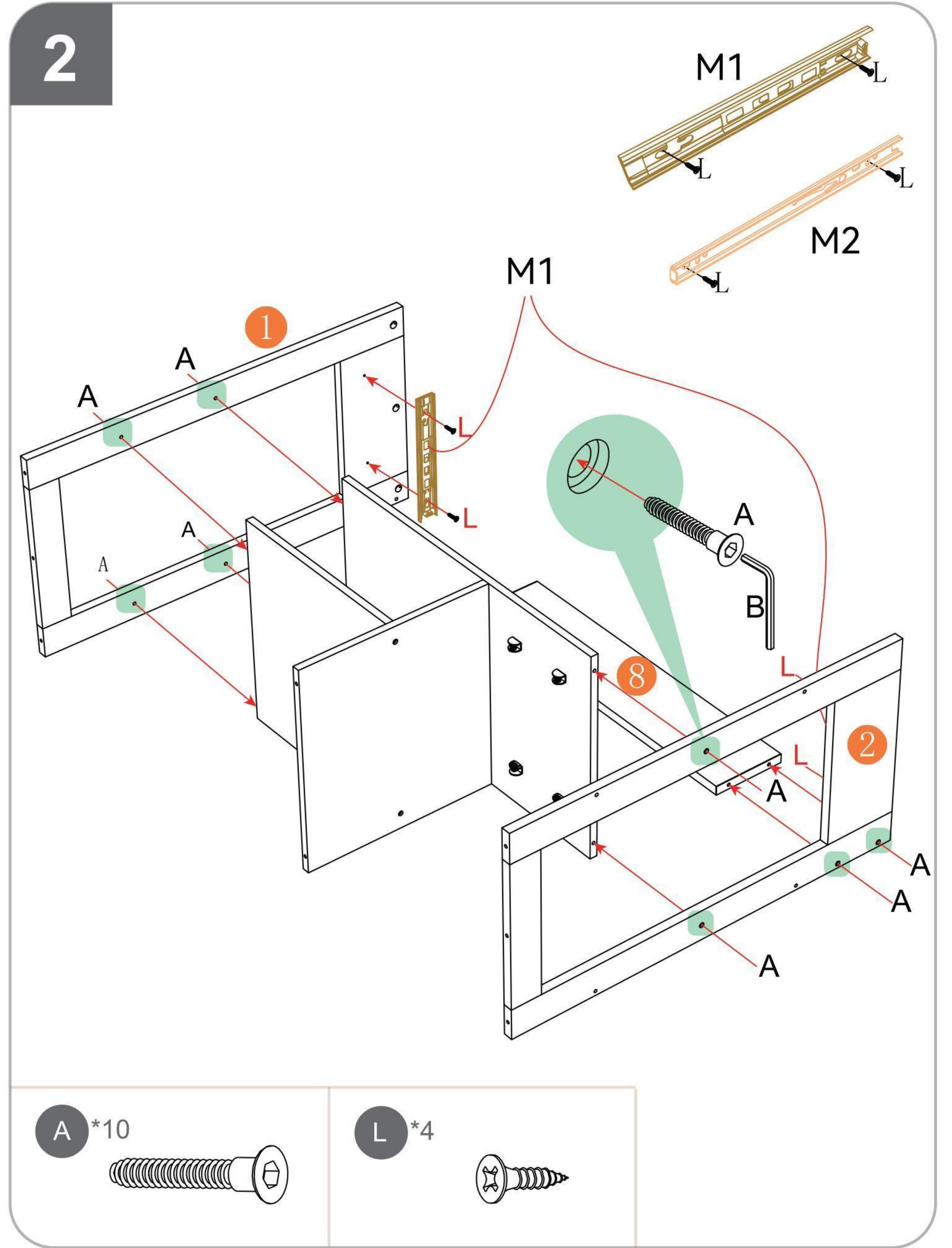
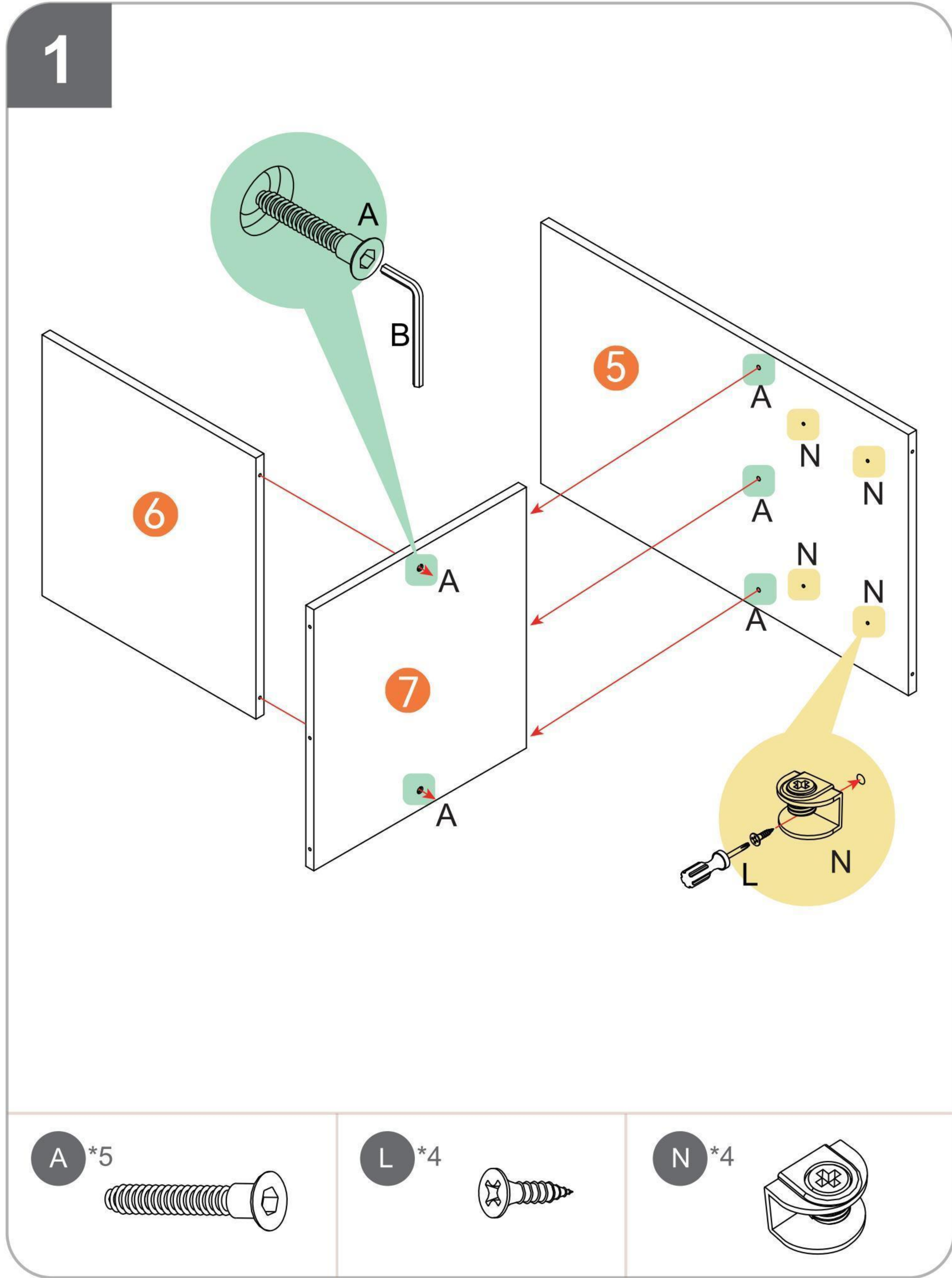
15



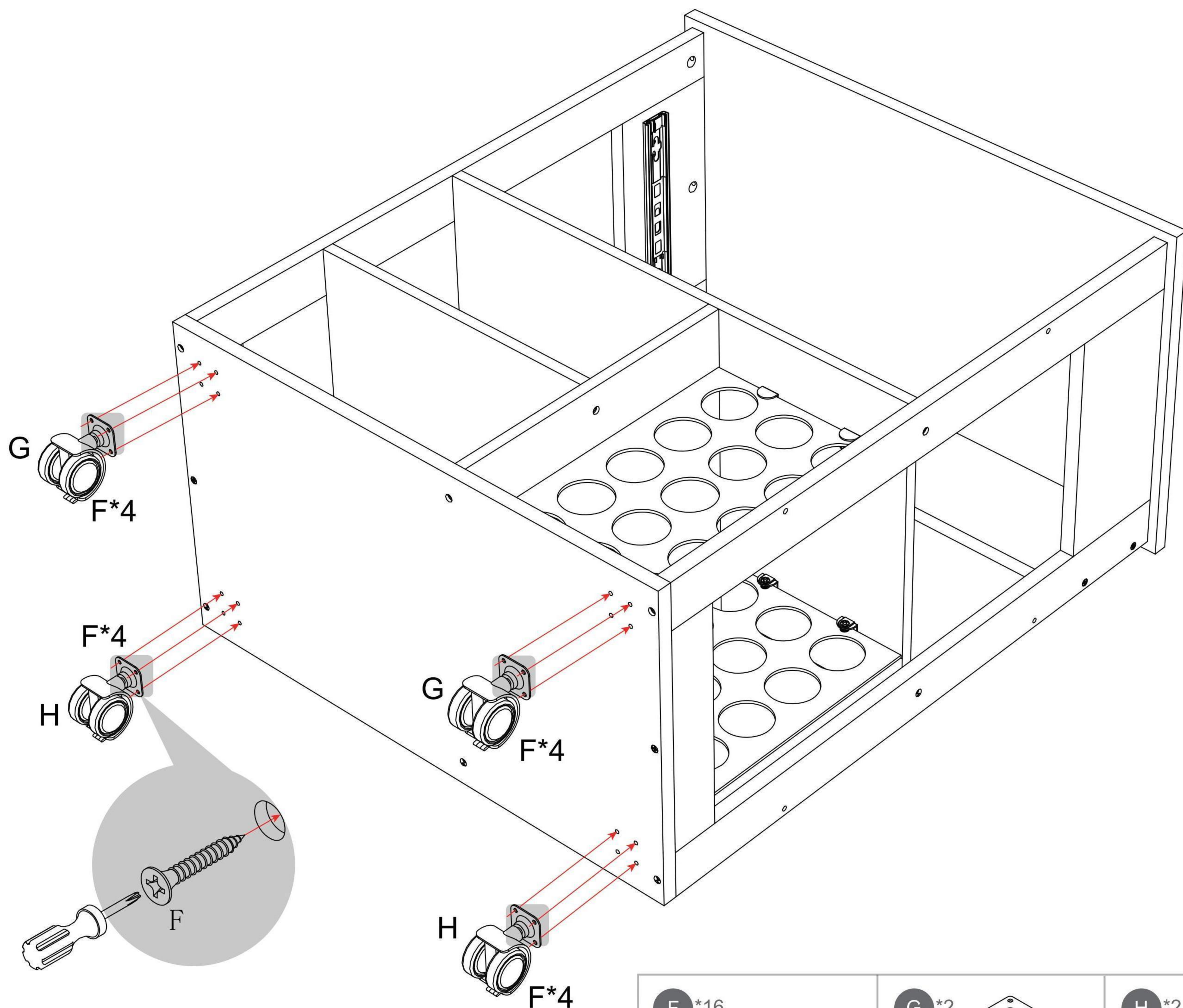
16



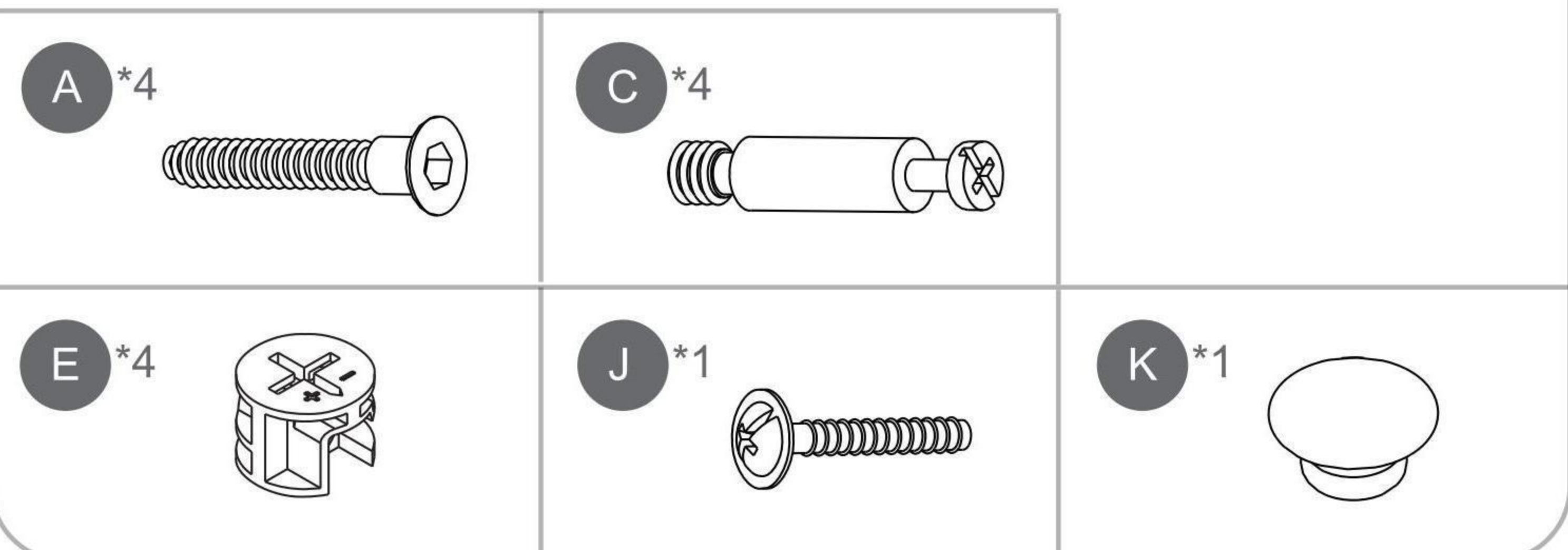
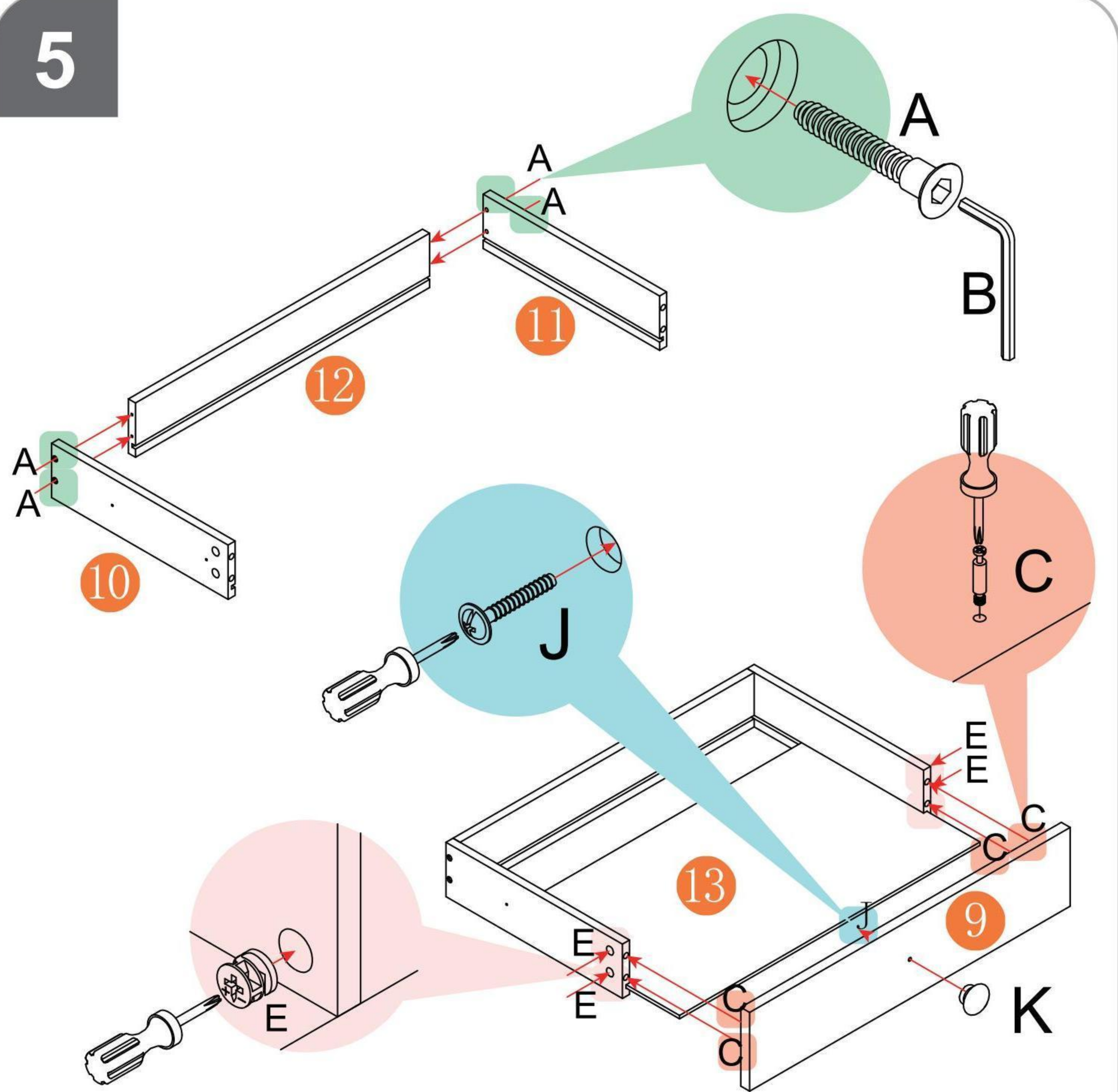
• Product Assembly



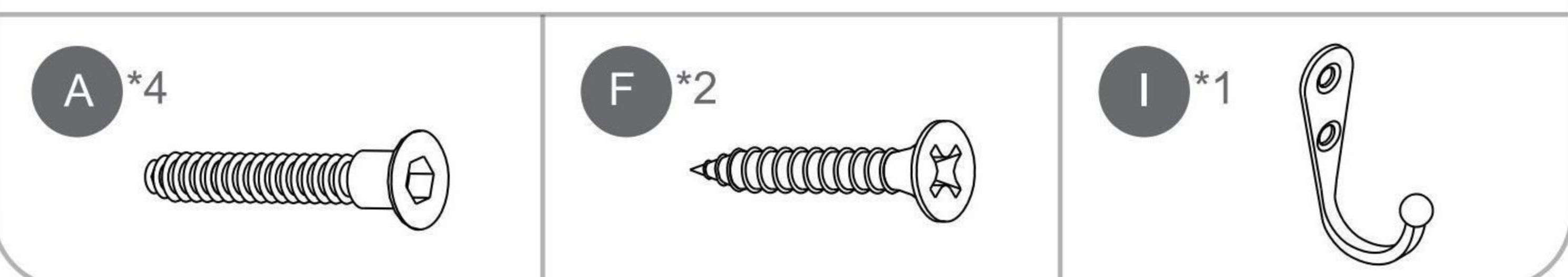
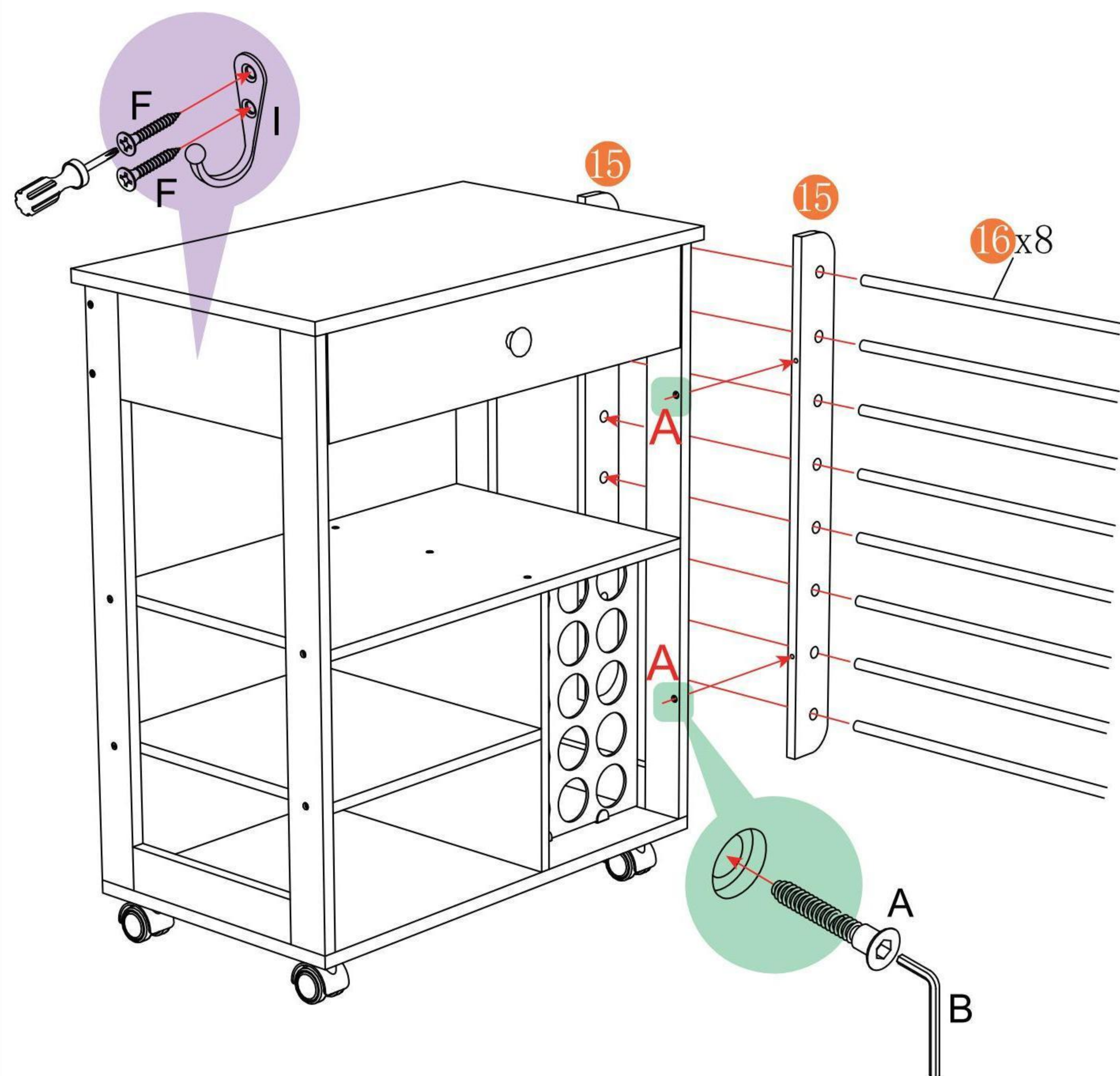
4



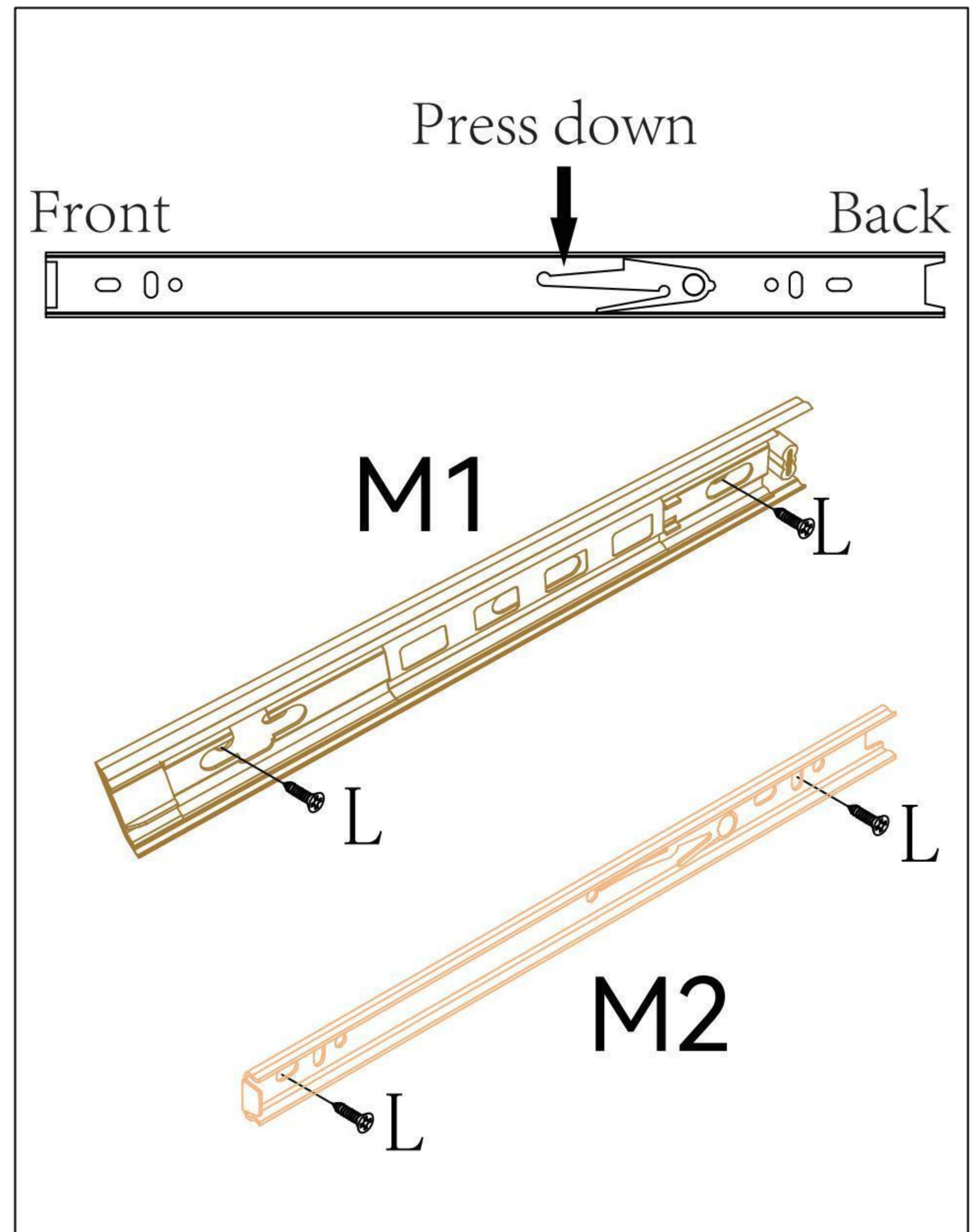
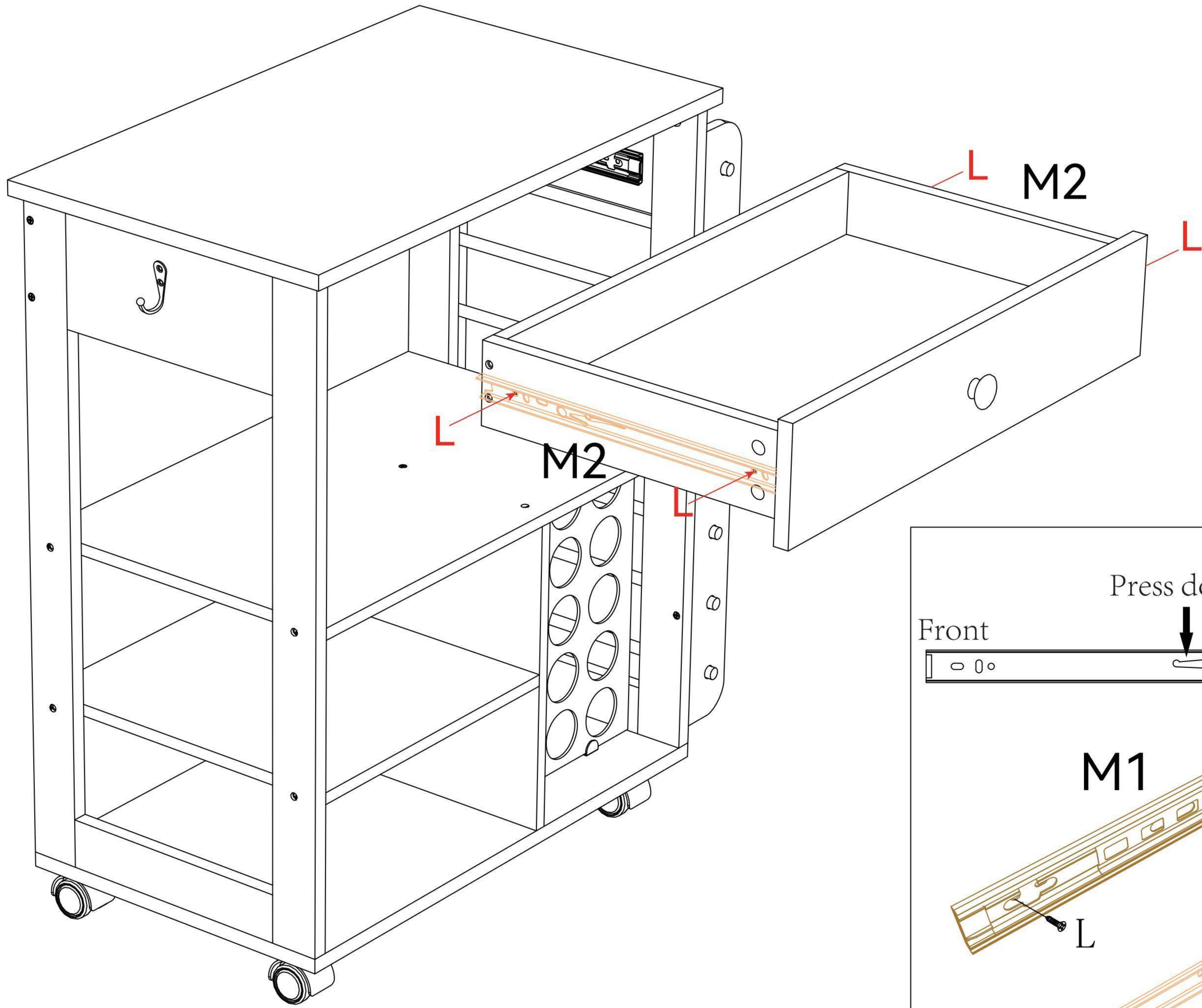
5



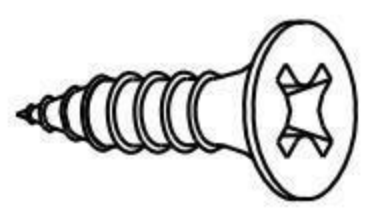
6



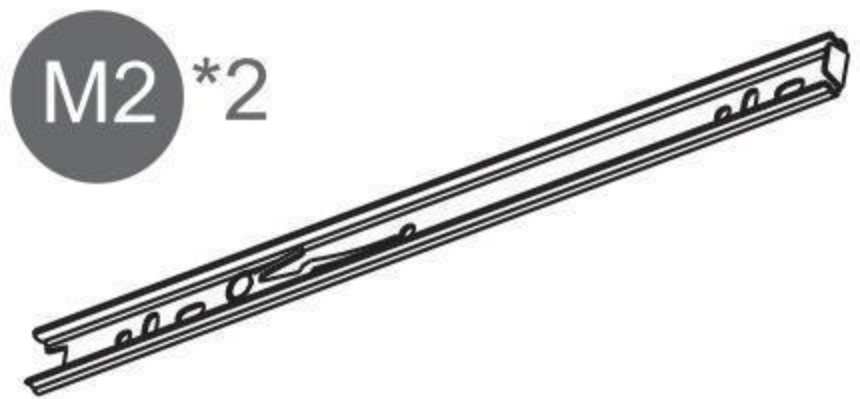
7



L *4



M2 *2



8

