

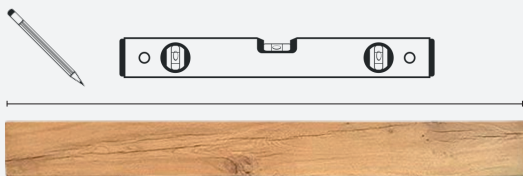
Heavy duty keyhole fixings

Heavy duty keyhole fixings are supplied with all oak fireplace beams 9cm (3.5") deep or less and oak corbels. They are routed and fixed into the back of the beam so that once fitted, your beam will be flush to the wall. Wall plugs and screws are supplied free and are suitable for masonry walls or stud walls where timber uprights can be located. They are not suitable for fixing solely into plasterboard.

You will need...

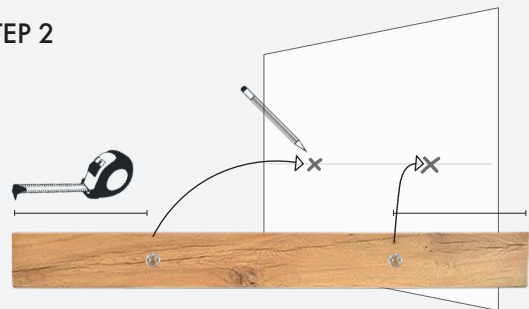


STEP 1



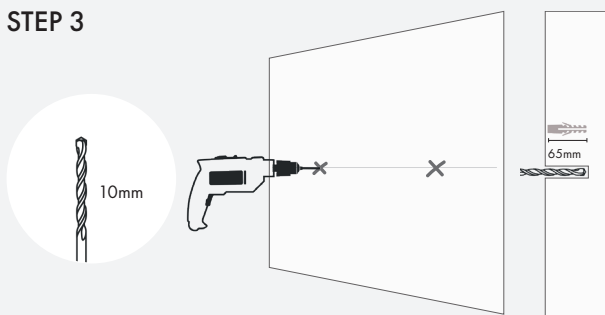
Using a spirit level, draw a line on your wall the same width as the beam.

STEP 2



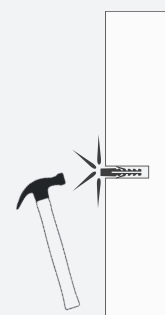
Measure from the end of the beam to the centre of the keyhole bracket and transfer these measurements onto your wall.

STEP 3



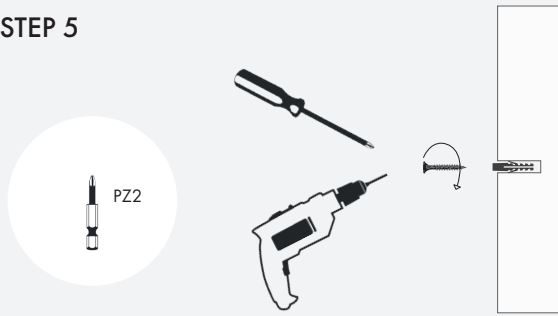
Using an 10mm masonry drill bit, drill holes at least 65mm deep to fully accommodate the wall plug.

STEP 4



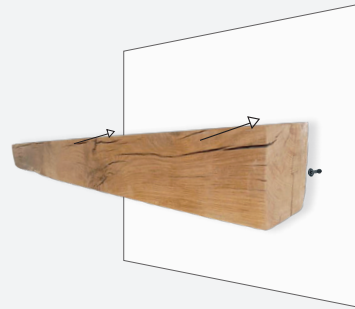
Insert the wall plugs into the holes. Use a hammer to tap the wall plugs flush with your wall.

STEP 5



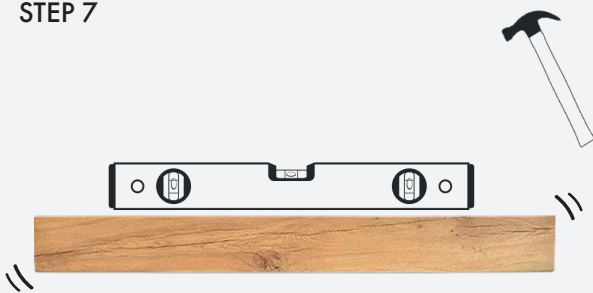
Use a PZ2 drill bit and drill or screwdriver to drive each screw into the wall plugs leaving them protruding approximately $\frac{1}{4}$ of an inch.

STEP 6



Place the beam onto the screws. The screws may need adjusting. When fitted correctly the beam will sit completely flush with the wall.

STEP 7



Place a spirit level on the mantel top to check it's level. Minor adjustments can be made by tapping the screws with a hammer.

STEP 8



When you're happy with the positions of the beam, we recommend adding a small amount of silicone or grab adhesive to the back before re-installing. This is a precautionary measure and not absolutely necessary.

Now sit back and enjoy!

