

TW SERIES

LOG SPLITTERS



TIMBERWOLF

FIREWOOD PROCESSING EQUIPMENT



607-307-4029

www.TimberwolfEquip.com



- ▲ Professional-grade log splitters at entry-level prices
- ▲ The same Timberwolf quality in a smaller package, perfect for the home owner and new firewood entrepreneur
- ▲ Integrated step wedge to split large blocks in half with ease
- ▲ Upgrade with a slide-on 4-way wedge to create 4 uniform pieces of firewood
- ▲ Start splitting \$150 worth of quality firewood per hour with a purchase as low as \$3,000



FEATURES



Step Wedge

- Innovative, built-in wedge
- 'Step' at bottom of 12" tall by 1" thick wedge allows log to crack before making full contact with the wedge, resulting in cleaner splits



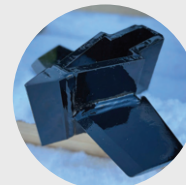
Table Grate

- 32" long by 34" wide
- Acts as a catch pan for logs, sifting out dirt and other fine material
- Easily slides into the end of the I-beam



Log Lift

- Choose manual or hydraulic log lift
- Allows for single-person operation without a drop in productivity



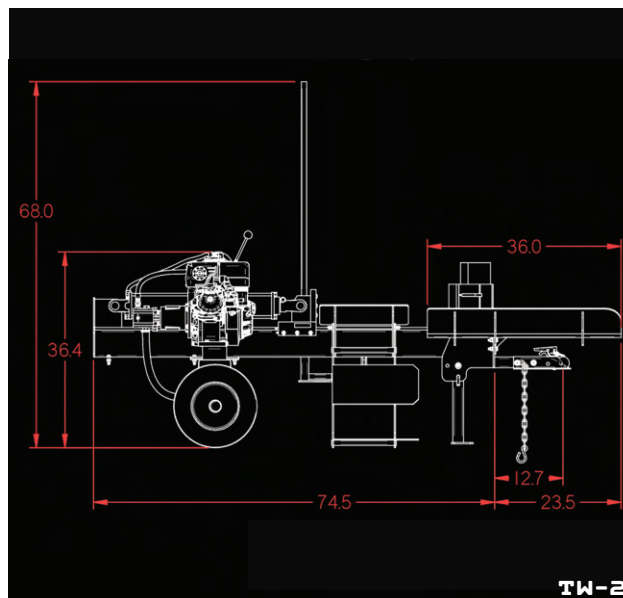
4-Way Wedge

- Easily added by sliding over the integrated step wedge
- No further assembly or additional tools required
- Produces 4" or 6" material, depending on orientation

Table Grate, Manual/Hydraulic Log Lift, and 4-Way Wedge are available as Add-On Options.

SPECIFICATIONS & DIMENSIONS

Base Model	TW-2	TW-3
Engine Power (HP)	8.5	PTO (min 32)
Pump Flow (GPM)	16	22
Stroke (in.)	24	24
Cylinder Bore (in.)	4	4
Splitting Force (lbs)	37,700	37,700
Average Output (Cord/Hr)	1	1.5
Dimensions (H"xW"xL")	42"x47"x96"	42"x47"x96"
Weight (lbs)	575	575
Cycle Time (sec)	9	8



TW-2