

OPERATOR'S MANUAL

TW-3, TW-3HD
Log Splitter



www.timberwolfequip.com



TW-3, 3HD Log Splitter Operation Manual

Fill out and submit registration form to ensure warranty coverage and receive product updates.

Register online at www.timberwolfequip.com/warranty.html

This manual and all its contents Copyright © 2018
Timberwolf Firewood Processing Equipment

Record your log splitter ID numbers here:

Model # _____

Serial # _____

VIN # _____

Timberwolf Firewood Processing Equipment

2235 Clarks Corners Road
Marathon, NY 13803

Toll Free: 800-340-4386

E-mail: info@timberwolfequip.com
www.timberwolfequip.com

©Timberwolf is a trademark of Timberwolf Firewood Processing Equipment. All other brands or product names are trademarks or registered trademarks of their respective holders.

©Timberwolf Firewood Processing Equipment 2018. Printed in the USA

No part of this work covered by copyright may be reproduced in any form. Reproduction, adaptation, or translation without prior written permission is prohibited, except as allowed under the copyright laws.

Timberwolf Firewood Processing Equipment provides this document “as-is” without warranty of any kind, either expressed or implied. This includes, but is not limited to, implied warranties or conditions of merchantability or fitness for a particular purpose. Timberwolf Firewood Processing Equipment shall not be liable for any errors or omissions that may occur in this document, nor for incidental or consequential damages of any kind resulting from the furnishing, performance, or use of this document.

The information in this document reflects current or planned product features, functions, and characteristics as of the publication date. Because of on-going product improvements and feature additions, information in this document is subject to change without notice.

Revised February 15, 2018

Every effort has been made to ensure the accuracy of this document.

About This Manual

Thank you for buying a Timberwolf log splitter. This machine is made with high quality components and will provide years of service under normal working conditions.

Please study this manual before operating the unit as it contains important information relating to safety, operation and maintenance. Timberwolf Firewood Processing strongly suggests you keep it safely stored.

If you have questions regarding anything outlined in this manual, please call Timberwolf at **1-800-340-4386**.

Read Entire Manual Before Operating the Log Splitter

Safety Note



Please take time to read this manual and learn how to operate and maintain the log splitter safely. If you have any questions regarding assembly, use, safety, or maintenance, please call Timberwolf at 1-800-340-4386. The log splitter is a powerful piece of equipment that can generate more than 50,000 pounds of force. **Incorrect use of the log splitter can cause serious injury or death.**

Caution! Residual Hydraulic Energy!



Residual energy must be released from the pressurized hydraulic fluid before any maintenance or repair work is done on the log splitter. Hydraulic fluid can remain highly pressurized even while the splitter's engine is off. Escaping pressurized hydraulic fluid can penetrate skin and cause serious injury.

To release residual hydraulic energy:

1. Shut off engine
2. Move control valve back and forth, from one limit of travel to the other, at least four times
3. Hold valve for three seconds at each limit of travel

Table Of Contents

Safety

General Safety Instructions.....	1-8
Decal Locations	9

Features

General	10
Components and Locations	11
TW-3 Components.....	12
H-Beam Frame	12
PTO-Driven Hydraulic Pump.....	13
Single Handle Valve.....	13
Wedges.....	14
Four-Way Slip-On Wedge	14
Six-Way Slip-On Wedge	14
Optional Hydraulic Wedge Lift.....	15
Optional Table Grate	15
Log Cradle	16
Optional Hydraulic Log Lift.....	16
Optional Manual Log Lift.....	17
Features.....	18

Before You Start

Operational Placement of the Log Splitter	19
Hydraulic Oil	19
Hydraulic Pump Installation Overview	19
Hydraulic Pump	20
Attaching Splitter to Lift Arms	21
Hydraulic Connections	21

Before You Start (Continued)

Manual Log Lift Installation.....	21-23
Table Grate Installation	23

Operating Instructions

Startup	24
Splitting Safety	24
Controls - Log & Wedge Lifts	25
Controls - Single Handle	26
Using the Log Lift.....	26-27
Wedge Positioning	27
Wedge Lift Operation.....	27
Splitting with Single Handle Valve	28
Transporting the Log Splitter.....	29

Maintenance

Daily Maintenance	30
General Maintenance.....	30-31
Hydraulic Oil.....	31
Hydraulic Oil Filter.....	31
Push Block	32
Wedge.....	32
Grease	32
Hydraulic Hoses.....	32

Specifications..... 35

Limited Warranty..... 36-37

Maintenance Log..... 38



Read this entire manual before starting or operating this log splitter! Failure to do so could result in serious injury or death!



Attention Rental Companies

It is extremely important that you familiarize operators with the following safety instructions and that you keep a manual with the machine at all times. Require all users to read the manual before operation and be aware of all warnings and hazards.



High Pressure Warning!

Escaping hydraulic fluid can penetrate skin and cause serious injury!

Caution! Residual High Pressure Hydraulic Energy

Your log splitter has been tested at the factory and is delivered to you ready to run. That means that there may be residual pressure in the hydraulic system. If for some reason you need to perform any maintenance or repair to the machine, you **must** release that pressure before any work can begin. Please refer to page 7 for instructions.



General Use:

This machine was designed to split logs into firewood only. Timberwolf strongly recommends that this machine not be modified and/or used for any application other than that for which it was designed. If you have any questions relative to a particular application, do not use the machine until you have first contacted Timberwolf or an authorized Timberwolf dealer to determine if modifications can or should be performed on the product.



- Only qualified personnel, 18 years and older, may operate the log splitter and ONLY after reading this manual. Operators who are improperly trained or unfamiliar with this log splitter risk serious injury to themselves and the equipment
- Before operating this log splitter, the user must become familiar with proper emergency shut down procedures
- Do not stand on any part of the machine while it is running, for any reason; pinching or crushing injury is possible
- Never operate the log splitter while under the influence of alcohol or drugs
- Never touch parts of the engine as burns can result
- Never operate the machine indoors or without adequate ventilation. Ensure that plenty of fresh air is available. Failure to do so could result in carbon monoxide poisoning
- You should always wear eye protection, hearing protection, snug fitting work gloves (loose gloves and clothing increase risk of snagging) and steel toed boots when you operate or work near this machine



Drawing In/Trapping Hazard

Drawing in/trapping points exist where objects are pulled into equipment, e.g., when a log drops onto the log cradle from the log lift. Machines are stronger and faster than people; always stop the equipment before attempting to remove an item that is stuck. Remember, guards cannot be provided for all situations and equipment must be able to function in the capacity for which it was designed.



Impact Hazard

Impact hazards can be broken down into two categories: forceful collision and contact. The first type of impact hazard, forceful collision, is the result of machinery or processes where any movement of tools, machine elements or particles could impact an operator. The second type of impact hazard, contact, refers to the movement of personnel that could result in collision with stationary or moving objects. For example, an operator could collide with a part of the log splitter while handling wood in preparation to splitting. Guarding may not be feasible for these types of hazards. **Be aware of your surroundings, never place yourself in a situation where you are in the path of a moving piece of equipment.**



Burn Hazard

The potential for burns exist in and around the engine. Be careful not to touch any of these surfaces, which are covered in the manufacturer's safety warnings. Read the engine manufacturer's warnings and follow their instructions carefully.



Fire Hazard - Flammable

- Store fuel and oils in an approved flammable liquid storage container
- Dispose of waste liquids, spill-cleaning material and oil-soaked rags in an appropriate covered fireproof container(s) located at least 25 feet from the log splitter
- Only use dry powder, foam, or CO2 type fire extinguishers on or near the log splitter
- Never use water to extinguish any gasoline or oil fire

Moving the Log Splitter



- Only use suitable rated transport devices to move your log splitter
- The log splitter is heavy and requires the proper equipment to lift or move. Observe proper procedures for lifting and/or moving the log splitter
- Wear steel-toed boots when moving or operating the log splitter

Residual Risk



Residual Risk is defined as the portion of risk that remains after all safety measures have been taken. Although we have taken extensive measures to protect the operator and/or maintenance personnel from injury, all hazards cannot be removed. This manual provides graphical illustrations to aid in identifying potentially hazardous areas associated with your Timberwolf log splitter.



Crushing Hazard

Crush points are created when two moving objects move towards each other or when one object moves towards a stationary object. For example, the push block moving towards the splitting wedge.

To prevent being crushed or pinned, learn to recognize and avoid potentially dangerous situations.



Shear Hazard

Shear points are hazardous because of their cutting force and they often move so rapidly that they may not be visible, so it is easy to forget they are there. For example, shear points are created when the edges of two moving objects move close or across one another with enough speed or force to cut a soft material. Because some shear points cannot be guarded, it is important to be aware of their potential hazard and stay alert during operation.



Entanglement Hazard

Rotating shafts are the most common source of entanglement accidents, although any exposed machine part that rotates can be a potential entanglement hazard. A cuff, sleeve, pant leg, long hair, or just a thread can catch a rotating shaft and result in serious injury or death. Entanglement with a wrap point can pull you into the machine, or clothing may become so tightly wrapped that you are crushed or suffocated. In other cases, you could be thrown off balance and fall into other machine parts. Even a perfectly round shaft can be hazardous if there is enough pressure to hold clothing against the shaft. Hazards increase with shafts that are not round. Ends of the shafts that protrude beyond bearings are also dangerous. Check all equipment for potential entanglement points and be alert to their potential danger.

General Warnings for Safe Splitter Operation

Always do the following:

- Read this manual before using the log splitter
- Locate the log splitter only on firm level ground
- Site must provide solid footing for operator (not slippery underfoot)
- Site must be free of tripping hazards (stumps, roots, stones, debris, etc.)
- Wear goggles or face shield and always use appropriate hearing and foot protection
- Keep away from the splitting area and push block while operating
- Stand ONLY in the operator area when operating the splitter

Log Handling



- ALWAYS grasp logs in the middle and NOT by the ends
- NEVER put anything into a partially split log as it may close suddenly and eject or pinch the item
- NEVER put anything between the log and cradle
- NEVER climb over or straddle the splitter



General Cautions

- NEVER split anything other than wood logs
- DO NOT alter or modify the log splitter in any way
- DO NOT operate the log splitter with another person - one person operation only
- ONLY ONE person must position the logs and operate the controls
- KEEP ALL bystanders at least 10 feet away from the log splitter
- NEVER operate the log splitter if you are under the influence of drugs, alcohol or medication or when you are tired
- DO NOT allow an untrained person to operate the log splitter
- DO NOT allow anyone under the age of 18 to operate the log splitter
- DO NOT leave the machine unattended with the engine running

What You SHOULD Do

- Inspect hydraulic hoses every day – check for worn, frayed, kinked, and cracked areas
- Replace any damaged or worn hoses
- Use sheet of cardboard or piece of wood to check for hydraulic leaks while system is running
- Depressurize system to release residual hydraulic energy before starting any repairs
 1. Shut off tractor engine
 2. Move control valve handle back and forth, from one limit of travel to the other, at least four times
 3. Hold valve for three seconds at each limit of travel
- Contact Timberwolf or an authorized Timberwolf dealer to replace worn components

What You SHOULD NOT Do

- Never split anything other than logs
- Don't handle logs by their ends when you position them
- Never place your hands at pinch points where they can get caught between a log and the wedge, push block, or log cradle
- Don't put any part of yourself, your clothing, or your personal protective equipment into a crack in a log that's being split. It might close suddenly and with great force
- Don't put anything between the log cradle and the side of a log. Logs spread as they're forced against the wedge
- Do not straddle or climb over the log splitter at any time
- Do not move or reposition the log splitter with the engine running
- Do not modify or alter the machine in any way, at any time
- Never team up with another person to operate the log splitter – it's a one-person job
- Never operate log splitter under the influence of alcohol, drugs, or medication
- Never allow an untrained operator to use the log splitter
- Never allow anyone under age eighteen to operate the log splitter
- Never leave log splitter unattended with the tractor engine running
- Never remove cap from hydraulic tank while engine is running or while tank is still warm after engine is shut off. Hot pressurized oil can cause serious injury, so wait for hydraulic tank to cool, then release residual energy before removing cap (see page 7)
- Never use any connectors, valves, or fittings that are different from the ones originally installed on the log splitter

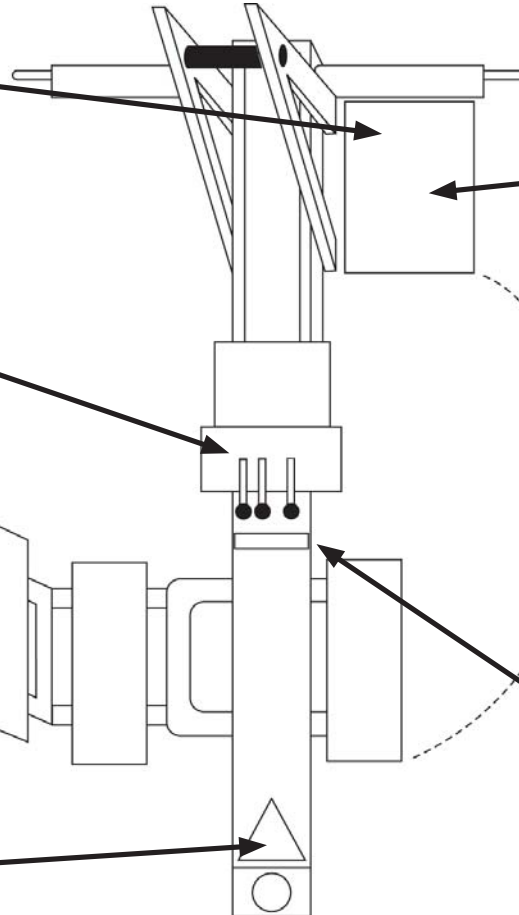


Decal Locations



CAUTION KEEP FEET AWAY!

CAUTION NOT TO EXCEED 500 LBS.



NOTICE
*HYDRAULIC OIL ONLY
* REFER TO OWNER'S MANUAL FOR OIL SPECIFICATION.

⚠ WARNING		⚠ ADVERTENCIA	
YOU CAN DIE OR BE SERIOUSLY INJURED. Before using the splitter, Read the Manual for Safety Information and Operating Instructions.		LISTED PUEDE MORIR O RESULTAR GRAVEMENTE HERIDO. Antes de usar la cortadora de leña, lee el manual para información de seguridad e instrucciones de funcionamiento.	
LOG LIFT	WEDGE LIFT	RETURN	
UP ↑	UP ↑	↓ SPLIT	
DOWN ↓	DOWN ↓		

NOTICE
GREASE POINT

NOTE: Piston, valve and engine manufacturers apply their own warning labels. Please refer to the components' separate instructions and safety information before operating the log splitter. Failure to do so may result in serious injury or death.

Features

General

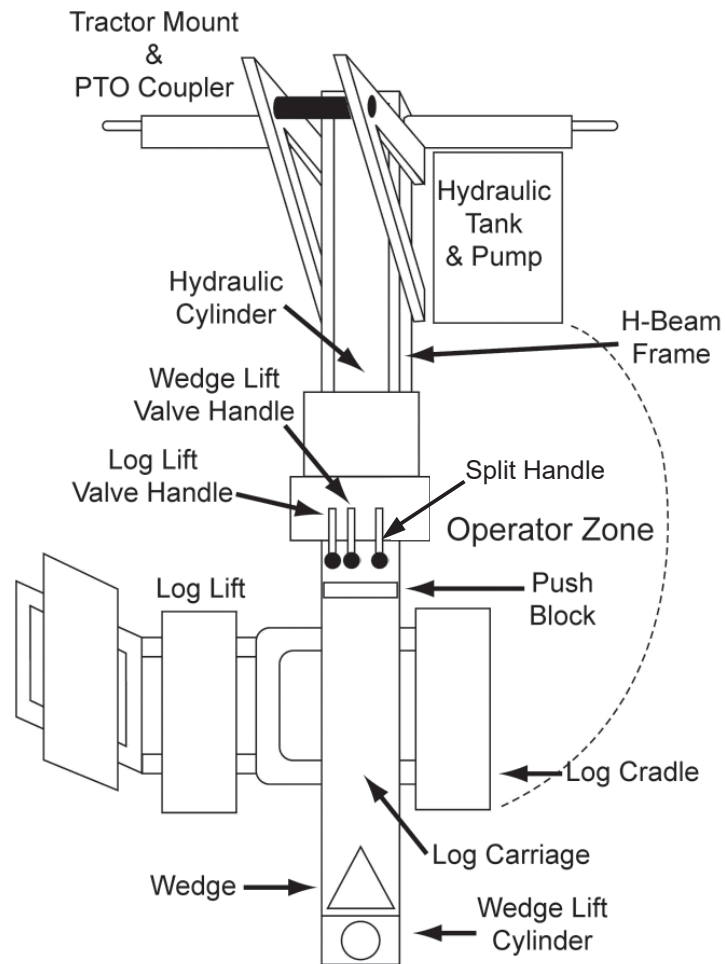
This manual covers Timberwolf's family of convenient, tractor-mounted log splitters:

- TW-3 – provides 17 tons of force and 6-second cycle times with its 20 GPM pump, 4 inch cylinder, and 15 gallon hydraulic tank
- TW-3HD – provides 22 tons of force and 10-second cycle times with its 20 GPM pump, 5 inch cylinder, and 15 gallon hydraulic tank

These log splitters mount on a tractor's three-point hitch and are driven by the tractor's power take-off. They are available with a variety of standard and optional features that increase production by making them more versatile and convenient to use.



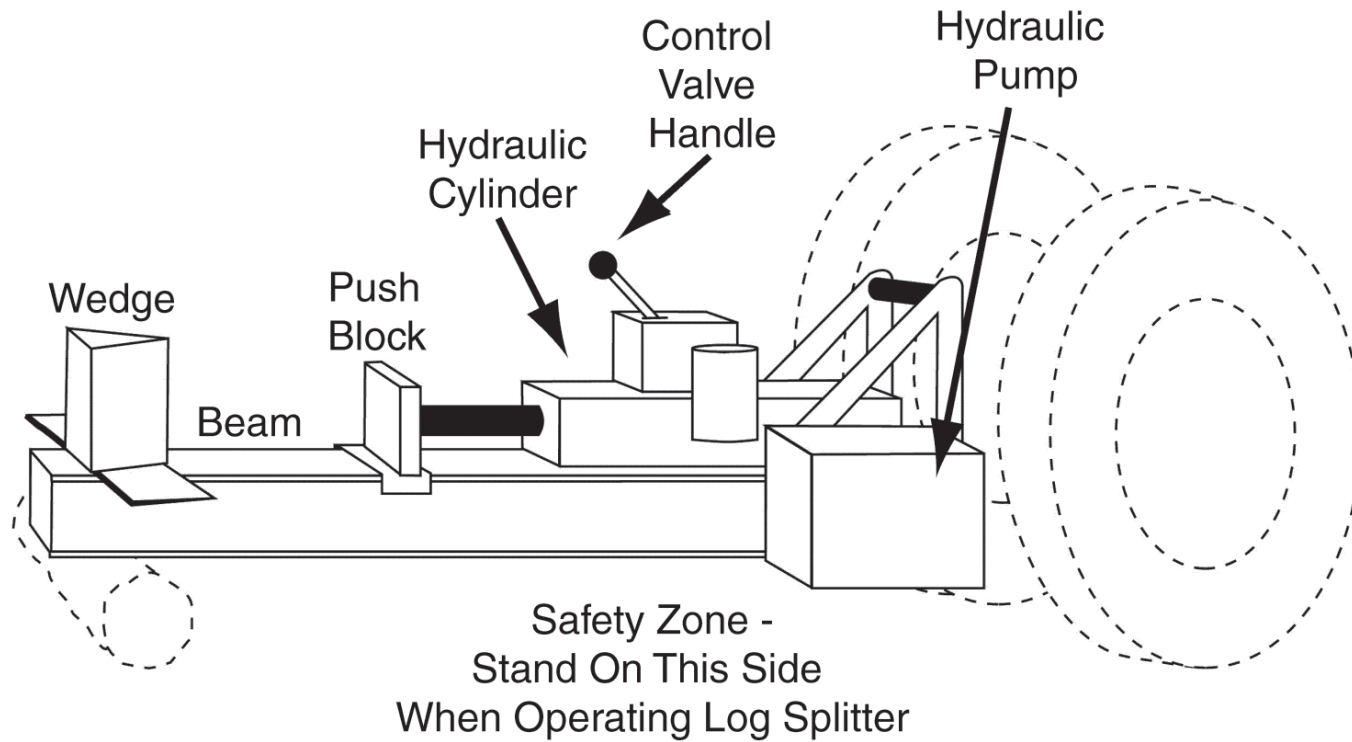
Components and Locations



CAUTION

Operator zone identifies area to stand in while operating the log splitter. Do not reach across to the controls from anywhere else.

TW-3 Components



H-Beam Frame

- Frame and log carriage is an H-beam
- H-beam configuration is stronger and more rigid than equivalent-size I-beam
- TW-3 log splitter is built on a 5" x 5" H-beam
- TW-3 HD log splitter is built on a 6 1/2" x 8" H-beam

PTO-Driven Hydraulic Pump

Timberwolf three-point hitch log splitters use a PTO shaft-mounted hydraulic pump. The pump can be powered by PTO running at 540 RPM.

Single Handle Valve

TW-3 and TW-3 HD log splitters use a single-handle hydraulic control valve as standard equipment.

- Push block travels forward only while valve handle is held in position



Wedges

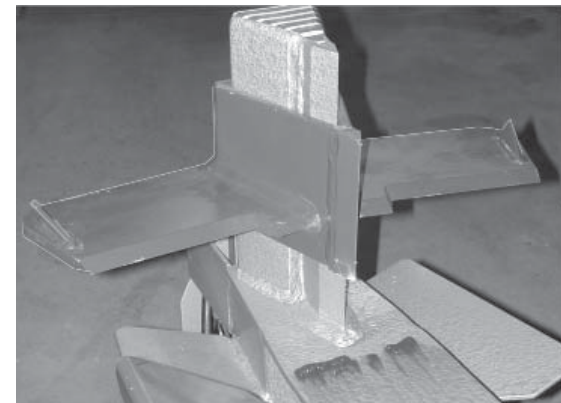
- All Timberwolf log splitters have a permanently installed, single-blade, fixed wedge
- By itself, the fixed wedge splits logs into two pieces
- There are also two slip-on wedges and a wedge lift feature available for greater versatility and control

NOTE:

Do not use a slip-on wedge with logs that have more than one knot or that have twisted grain.

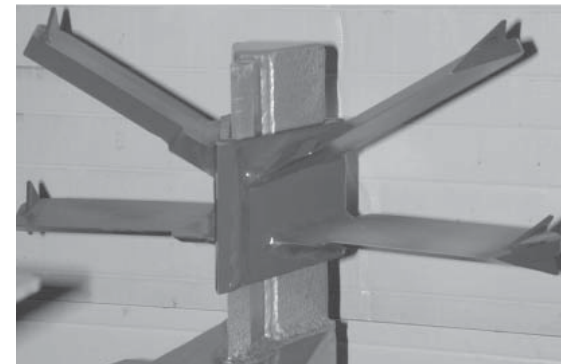
Four-Way Slip-On Wedge

- Available as an option for the TW-3 log splitter; standard on the TW-3 HD log splitter
- Splits log into quarters on each cycle
- Handles logs up to 24 inches in diameter
- Can be put on either of two ways for different splitting heights



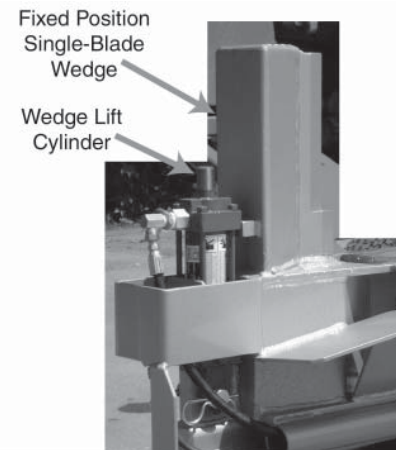
Six-Way Slip-On Wedge

- Splits log into six pieces with one thrust of the ram
- Handles logs up to 24 inches in diameter
- For use with 5" and larger hydraulic cylinder
- Optional on TW-3 HD
- Not available on TW-3



Optional Hydraulic Wedge Lift

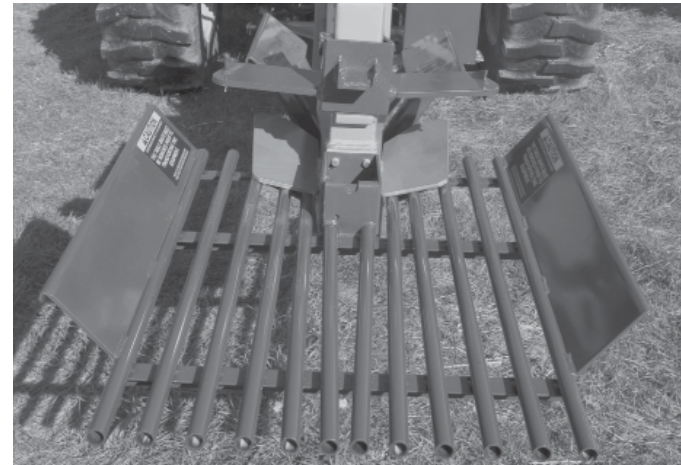
- Moves slip-on wedge up and down for best splitting position
- 4 inches of vertical adjustment
- 2 inch hydraulic cylinder
- One-lever hydraulic control
- Optional on TW-3 HD
- Not available on TW-3



Optional Table Grate

Tubular steel grate mounts behind wedge.

- Enables convenient repositioning for second pass on large pieces if necessary
- Chips and debris fall through, providing cleaner product
- Optional on TW-3 and TW-3HD



Optional Table Grate

Log Cradle

- Steadies log on beam
- Standard on all log splitters
- Heavy duty bolt-on cradle panels
- Two panels, one each side of beam, when log lift not installed
- When log lift is installed, there is one panel opposite the lift

Optional Hydraulic Log Lift

- Lifts log from ground and tips onto beam
- Lifts up to 500 pounds
- One-lever hydraulic control
- Optional on TW-3 HD
- Not available on TW-3



CAUTION

Use the log lift only for picking up logs. Never let anyone ride on the log lift.



Optional Hydraulic Log Lift

Optional Manual Log Lift

- Lever action manual log lift
- Lifts log from ground and tips onto beam
- Locks in raised position
- Lifts up to 200 pounds
- Shown installed on TW-P1 log splitter
- Optional on TW-3
- Not available on TW-3 HD



CAUTION

**Use the log lift only for picking up logs.
Never let anyone ride on the log lift.**



Features

Models:	TW-3	TW-3 HD
4-way Wedge	Optional	Standard
6-way Wedge	N/A	Optional
Wedge Lift	N/A	Optional
Table Grate	Optional	Optional
Hydraulic Log Lift	N/A	Optional
Manual Log Lift	Optional	N/A
Log Cradles	Standard	Standard

Before You Start

Operational Placement of the Log Splitter

- Place the log splitter on level ground in a well-lit area
- The area around the log splitter must not be slippery or have tripping hazards (stumps, roots, debris, etc.)
- Keep people and animals 10 feet away from the log splitter
- Tighten all loose fasteners and replace or repair any damaged, worn or cracked components before using the log splitter

Hydraulic Oil

- Timberwolf recommends use of ISO-46 hydraulic oil
- Level should be two inches below the top of the tank

NOTE

If hydraulic oil becomes contaminated it should be changed immediately

Hydraulic Pump Installation Overview

Steps to install a TW-3 or TW-3HD splitter:

- Mount hydraulic pump on the tractor's power take off (PTO) unit
- Attach splitter to PTO lift arms
- Connect hoses to hydraulic pump



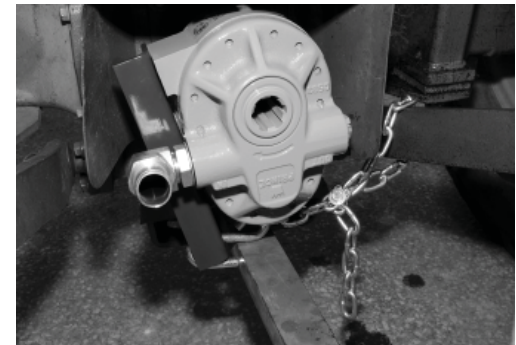
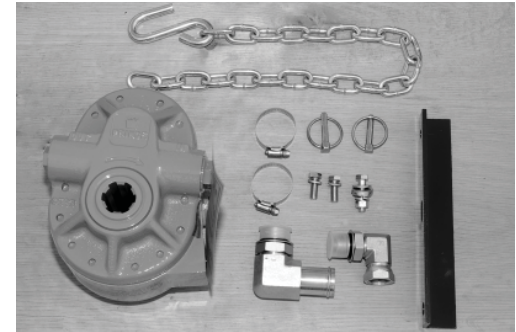
Hydraulic Pump

Hydraulic pump components:

- Pump unit
- Hose connector, out (3/4 inch, 90° swivel)
- Hose connector, in (1 1/4 inch, 90° hose barb)
- Torque arm with retaining hook and chain

To install the hydraulic pump:

1. Remove PTO drive shaft if it is present
2. Slide pump unit onto PTO hub. Pump can be installed and will operate correctly in either upright or inverted position
3. Direction of PTO rotation required to operate the pump is shown on the face of the unit; if PTO has forward and reverse, make sure it is set for forward operation
4. Position torque arm to extend down from the pump and install it onto pump housing with the included bolts
5. Insert retaining hook through torque arm and attach retaining hook chain to PTO hitch by inserting bolt through a link and securing with a nut



CAUTION

There should be no slack in the retaining hook chain. Torque arm and retaining hook prevent pump from rotating with PTO hub. Never apply power to the pump without retaining hook in place.

Attaching Splitter to Lift Arms

To attach splitter to PTO lift arms:

1. Lower lift arms to ground
2. Position splitter between arms
3. Insert splitter support pins into lift arm sockets and secure in place with locking pins
4. Swing PTO top support arm down into splitter's top support bracket; slide support pin through bracket and arm, and secure with locking pin

Hydraulic Connections

1. Connect hose from splitter's hydraulic tank to pump's "In" fitting (1 1/4 inch, 90° hose barb)
2. Connect hose from splitter's control valve to pump's "Out" fitting (3/4 inch, 90° swivel)



Manual Log Lift Installation

The following procedure includes all steps for installation on a splitter that was not originally equipped with the manual log lift.

1. Remove the three bolts that hold on the standard equipment log cradle
2. Replace the log cradle panel on the side away from the operator position with the log lift mounting plate, then reinsert and tighten the three bolts



(Continued on next page)

Manual Log Lift Installation (Continued)

- Hook the lift support bracket over the lower edge of the H-beam frame below the log cradle panel and insert the bracket's threaded rod through the tab that extends down from the mounting plate. Secure with a nut



- Bolt the lift support into the bracket on the lift arm assembly's crosspiece, making sure that the slots in the lift support face down
- Bolt the lift arm assembly to the mounting plate



Manual log lift shown mounted on the TW-P1 log splitter. The following instructions apply to mounting all manual log lifts.

(Continued on next page)

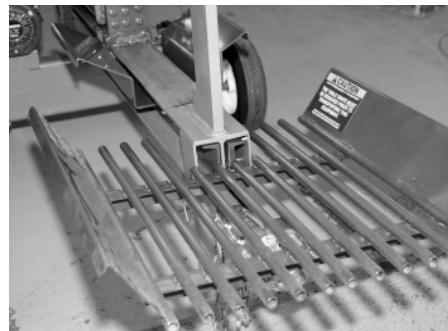
Manual Log Lift Installation (Continued)

6. Hold the lift support up between the arms of the lift support bracket and install a bolt through the lower set of holes in the bracket



Table Grate Installation

Table grate installs behind wedge by simply sliding box-shaped grate supports into the open end of the log splitter frame.



CAUTION

Always remove table grate before transporting splitter.

Operating Instructions

Startup

- Start tractor engine

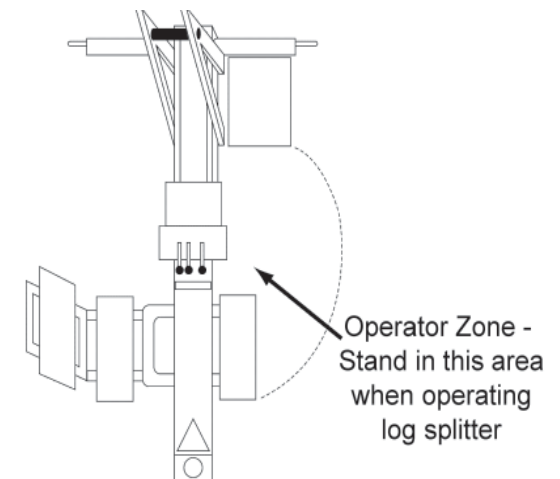
NOTE

See engine manufacturer's manual for starting and maintenance instructions.

- Slide pump unit onto PTO hub
- Run engine at idle for 10 – 15 minutes to let hydraulic oil warm up

Splitting Safety

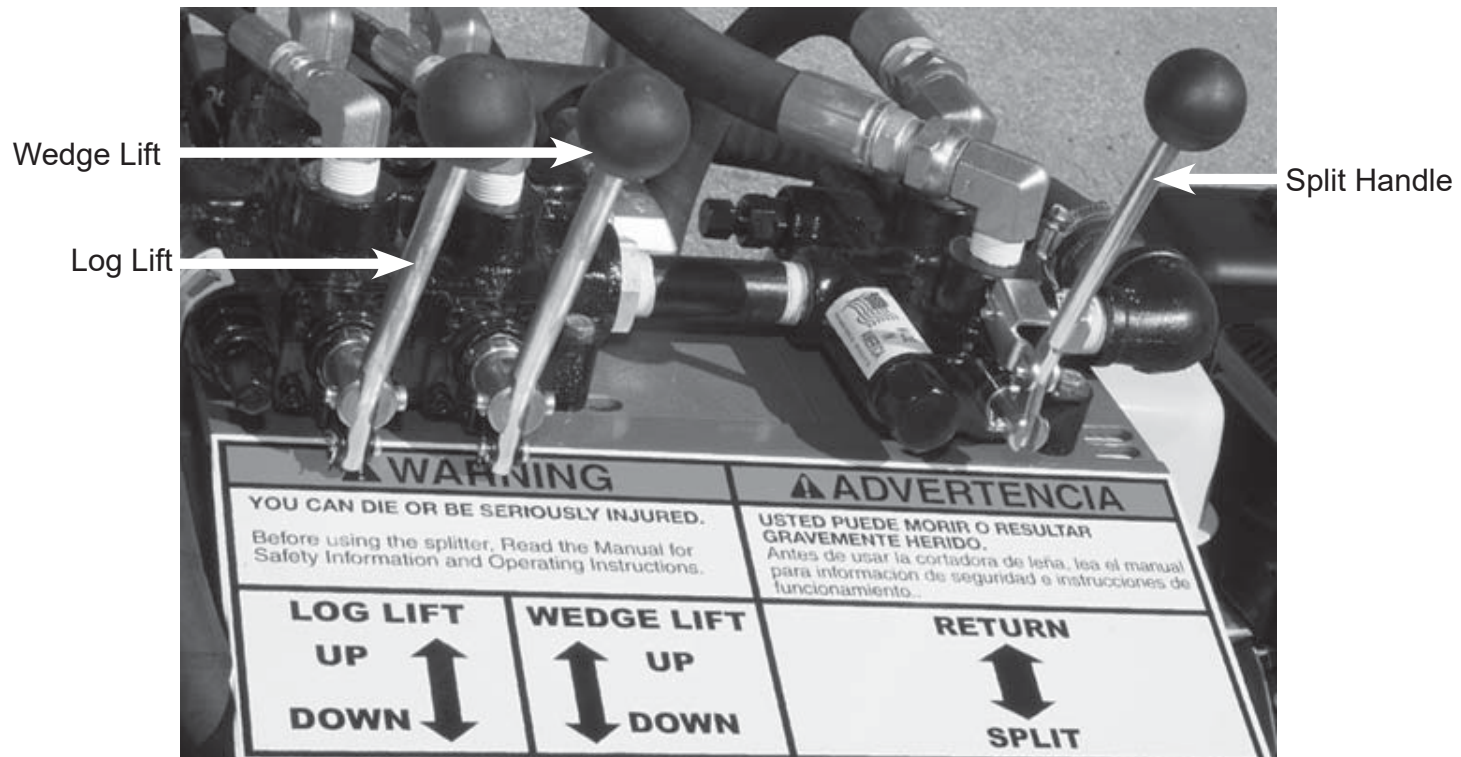
- Always stand inside the operator zone to run the log splitter. That's the area between the well and the control valve. Never operate the log splitter from anyplace else, including the area in front of the valve handle
- Handle logs only from the sides; never by the ends
- For best splitting results, place log on beam with butt end toward hydraulic cylinder
- Put one hand on top of log in the middle to keep it steady until it's held firmly between push block and wedge – then immediately remove your hands from the splitting area
- Be very careful to keep arms and fingers away from the wedge and push block. Keep hands and fingers clear at all times. When log splitting accidents happen, they are usually due to operator inattention on the return stroke
- Don't put any part of your body within the splitting area. Use a stick if you need to remove debris from the splitting area



Controls - Log & Wedge Lifts

Hydraulic log lift and wedge lift are available as options on the TW-3 HD log splitter.

Fully optioned TW-3 HD log splitters have all three of the control valve handles shown below. A TW-3 HD may have any combination of lifts and cycle controls.

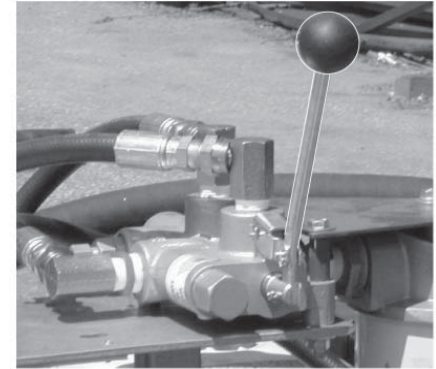


Decal Outlines Lever Directions

Controls - Single Handle

The TW-3 log splitter is equipped with the single handle control shown at right.

- To split log, move the valve handle toward the wedge and hold it until the log is split
- Move the valve handle away from the wedge into detent position and release it for the return stroke



Using the Log Lift

Hydraulic Log Lift Operation (TW-3HD)

- Move the log lift lever towards the wedge to fully lower the lift platform
- Roll a log (less than 500 lbs) onto the lift platform
- Move the log lift control valve handle away from the wedge to raise the lift platform until the log rolls onto the cradle
- Return from the log lift operator zone to the splitting operator zone
- Keep lift raised while starting the splitting cycle
- Complete the splitting cycle. (*You cannot operate the log lift and split at the same time. Raising or lowering the lift while splitting will interrupt the cylinder travel*)

(Continued on next page)

Using the Log Lift (Continued)

Manual log lift operation (TW-3):

- With lift fully lowered, go around the log splitter and roll log onto lifting platform
- Return to the operator zone and pull back on handle to lever up the lift
- Raise lift until log rolls onto beam
- Lift support engages as lift is raised
- Keep lift raised until log is securely held between push block and wedge
- Pull up and hold support release while lowering log lift

Wedge Positioning

The four-way wedge can be installed with either end up. Installed position determines height of wedge cross pieces. Wedge installation is the only height adjustment on the TW-3 log splitter.

Wedge Lift Operation

The wedge lift provides up to four inches of vertical adjustment of the slip-on wedges

- Adjust slip-on wedge height while log is on the cradle and before splitting
- Move handle away from the wedge to raise wedge
- Move handle toward the wedge to lower wedge
- Complete the splitting cycle

Note: The wedge lift moves only while handle is held in the desired position.

Splitting with Single Handle Valve

- Steady log by placing your left hand on top of it, midway between its two ends
- With your right hand, move the handle toward the wedge to the stop position
- Hold handle at the stop position and continue to steady the log **only** until it is firmly gripped between the push block and the wedge
- When log is firmly gripped between push block and wedge, immediately remove your left hand from the log
- Push the lever toward the wedge until the log is split
- Release handle and let it return to the neutral position
- Move handle away from wedge into locked position; push block starts automatic retract
- Handle returns to neutral position automatically when push block is fully retracted

NOTE:

- To stop push block while it is extending, release control valve handle
- To stop push block while it is retracting, move control valve handle back to neutral position
- Always pause the control valve handle in neutral position before you reverse push block direction; hydraulic system recovers during the pause. Failure to do this causes increased wear on the hydraulic system

Transporting the Log Splitter

Preparation

- Remove optional four-way or six-way wedge or table grate and transport them separately
- Make sure there are no loose parts or debris on the log splitter to fall off while it's being moved
- Never move the log splitter with a log on it
- If optional manual log lift is installed, insert locking pin in lift support to keep the log lift raised
- For the hydraulic log lift, keep in the up position and locked with the angle iron supplied



Maintenance



WARNING

Make sure PTO is shut off, hydraulic system is depressurized and hydraulic oil has cooled before you perform any work. Read “Safety” section of this manual before performing any repairs.

Daily Maintenance

- Check all fasteners; tighten any that are loose. Pay special attention to the fasteners holding the wear plates to the push block
- Check for cracked welds. If you find cracked welds, they must be repaired by a certified welding technician
- Check for and replace worn or damaged components

General Maintenance

- Grease push block and top of beam
- Check condition of the wear plates (movement side to side). If you can move the push block more than ¼” to either side of the beam, wear plates and shims must be replaced
- Inspect hoses for frayed, worn, kinked or abraded areas
- Replace any damaged hose before using the log splitter

Note: See hydraulic safety instructions in this manual.

- *Unless you have been trained in servicing hydraulic systems, you must have a qualified hydraulic technician repair the system*
- *Do not change the pressure relief setting*
- *Always use hoses, connectors, valves and fittings that have the same specifications as the originals being replaced*

(Continued on next page)

General Maintenance (Continued)

- Change the hydraulic oil and hydraulic oil filter after every two hundred (200) hours of operation
- Change all fluids and filter at least once a year

NOTE:

If hydraulic oil becomes contaminated, change it immediately to prevent damage to the system.

See the hydraulic safety instructions in this manual. Unless you have been trained in servicing hydraulic systems, you must have a qualified technician repair the system.

Hydraulic Oil

Perform regular changes after every 200 hours of operation.

- Timberwolf recommends use of ISO 46 hydraulic oil
- Level should be two inches below the top of the tank or the middle of the sight level gauge, approximately 2" from the top of the tank

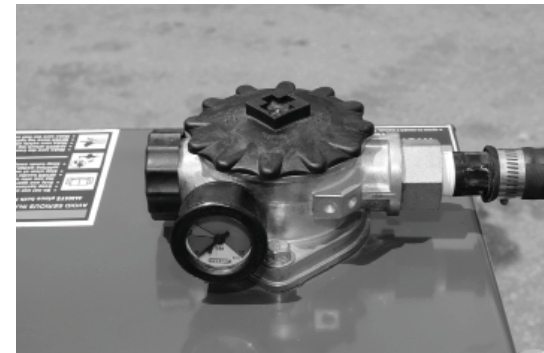
NOTE

If hydraulic oil becomes contaminated it should be changed immediately.

Hydraulic Oil Filter

The log splitter is equipped with an in-tank, ultra fine steel mesh hydraulic oil filter

- Under normal operating conditions change the filter after every 1,000 hours of operation
- There is also a green/yellow/red filter condition gauge mounted on the hydraulic oil tank filter cap
- Change filter once a season or if the gauge approaches the red zone



Push Block

- Grease assembly daily to reduce wear on beam and sides
- Use any high-grade bearing grease
- Replace wear plates (also called “gibbs”) if push block can be raised more than one quarter inch off the beam

Wedge

- Sharpen wedges regularly with file or grinder

Grease

- Make sure push block and top of beam are well lubricated with grease
- Grease push block at grease fittings
- Smear grease across top of beam

Hydraulic Hoses

- Inspect hydraulic hoses for frayed, worn, kinked, or abraded areas
- Replace any damaged or worn hydraulic hoses immediately



WARNING

Make sure system is depressurized before you do any hydraulic system repairs. See page 7 within the Safety section for instructions.

Specifications

Models	TW-3	TW-3 HD
Weight	450 lb.	725 lb.
Splitting Force	17 tons	22 tons
Pump	20 GPM	20 GPM
Hydraulic Tank	15 gallons	15 gallons
Cylinder Size	24 X 4 X 2	24 X 5 X 2
Cycle Time	6 seconds	10 seconds
Frame	5"	6.5"
4-Way Wedge	OPT	STD
6-Way Wedge	N/A	OPT
Log Lift	OPT (manual)	OPT (hydraulic)
Table Grate	OPT	OPT
Wedge Lift	N/A	OPT

Limited Warranty

Product Covered	This warranty is for Timberwolf Firewood Processing Equipment log splitters.
Date Warranty Begins	The warranty begins on the date of sale and is warranted by Timberwolf Firewood Processing Equipment to the original purchaser only.
What We Will Do for You:	We or your authorized dealer will, at our option, repair or replace any part found to be defective in material or workmanship, without charge for parts or labor, to the original purchaser for a period of time of one year.
What Is Not Covered By This Warranty	<p>This warranty does not apply to parts that have been damaged by accident, alteration, misuse, abuse or improper lubrication.</p> <p>Charges for pickup, delivery, and service calls are not covered by this warranty.</p> <p>The engine is warranted separately by the engine manufacturer.</p>
Limited Rental Use Warranty	If used for rental purposes (to produce an income by renting this equipment), the warranty on this product is limited in duration to 90 days from date of purchase. This warranty does not apply to parts that have been damaged by accident, alteration, misuse, abuse or improper lubrication. The engine for rental use is warranted separately by the engine manufacturer.
How To Get Service	To obtain service, contact our nearest dealer, or Timberwolf Firewood Processing Equipment at 2235 Clarks Corners Road, Marathon, NY 13803, or call us at 1-800-340-4386. For engines, contact us or our dealers, or consult your Yellow Pages for the name of the service dealer that is authorized by the manufacturer.
Disclaimer of Consequential Damages	Timberwolf Firewood Processing Equipment shall not be liable under any circumstances for any incidental or consequential damages or expenses of any kind, including – but not limited to – the cost of equipment rental, loss of profits, or cost of hiring services to perform tasks normally performed by the equipment.

(continued on next page)

Limited Warranty (Continued)

Limitation of Implied Warranties	<p>Any implied warranties, including without limitation any implied warranty of merchantability or fitness for a particular purpose, shall be limited in duration to a period of one year (90 days if product is purchased for rental use) from the date of sale.</p> <p>Some states do not allow the exclusion or limitation of incidental or consequential damages, or limitation on how long an implied warranty lasts.</p>
Your Rights Under State Law	<p>This warranty gives you specific legal rights, and you may also have other rights, which vary from state to state.</p>

Please return your warranty card or you can register your splitter online @ www.timberwolfequip.com/warranty.html

OPERATOR'S MANUAL



2235 Clarks Corners Road, Marathon, NY 13803 800-340-4386 www.timberwolfequip.com

©TFP2018/G2W0218/250