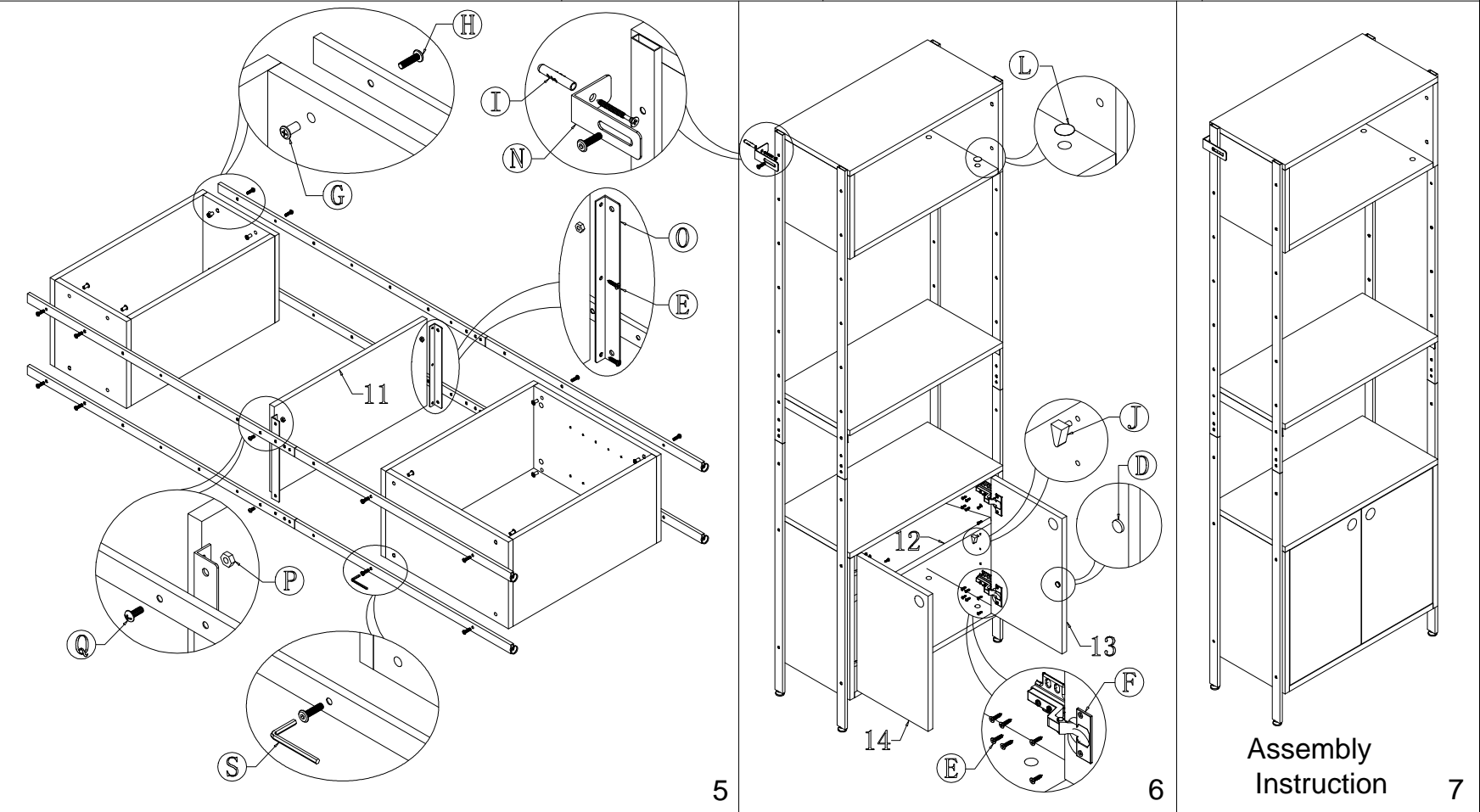
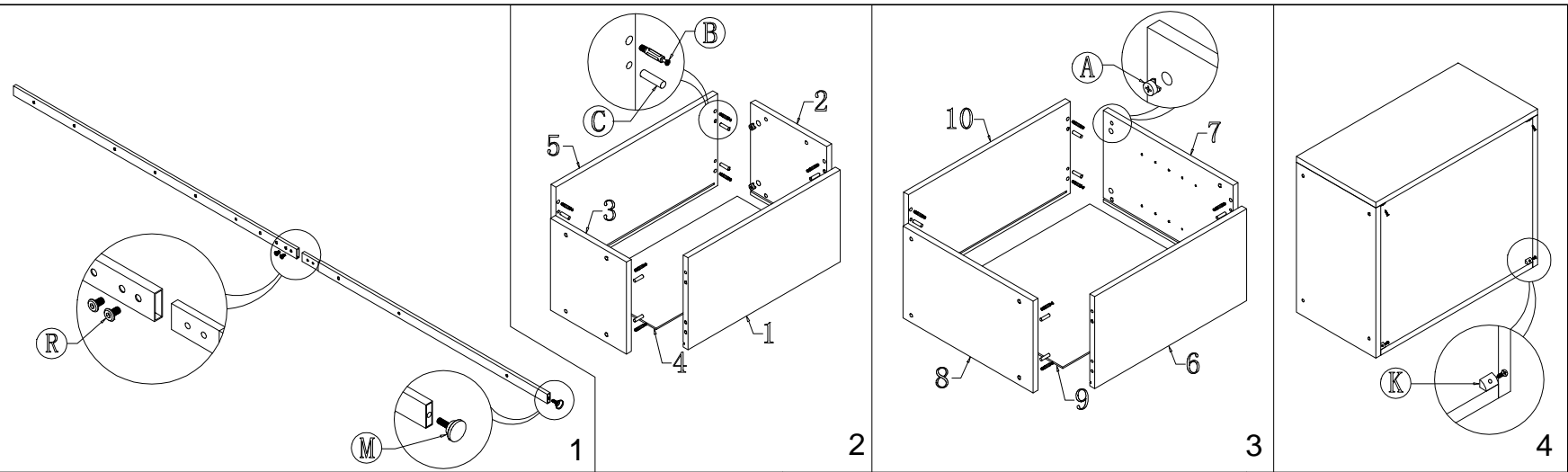


Parts list				
Units: mm				
NO	Name	Size	Qty	Note
A	fittings	∅15*10	16	
B	fittings	M6*35	16	
C	chip	30*8*8	16	
D	anticollision		2	
E	screw	∅3.5*16	38	
F	hinge		4	
G	screw	∅8*15	16	
H		M6*20	16	
I	expansion bolt	∅8*50	1	
J	shelf dowel		4	
K	Hardware		8	
L	cap		16	
M	leg		4	
N	corner fitting		1	
O	corner fitting	275*30*20	2	
P	screw	M6	4	
Q	screw	M6*20	4	
R	screw	M6*10	8	
S	hexagon key	M4	1	



File Cabinet

Model No: RW20-190-3

Size: 600*295*1910