

User Instructions

Walker „Fixi-YANO” and Fox-Yano with forearm support

| | |
|-------------------------------------|-----------------------------------|
| „ Fixi-YANO“ Art.-Nr.: 186.99.10 | „Fox-YANO“ Art.-Nr.: 186.99.20 |
| Serial-Number | Serial-Number |

User Weight: max. 100 kg



Important advisories!

- Read this User Instructions **before first-time use** of the walker and keep it ready for the user.
- Adhere to all advisories, especially the safety advisories.
- Keep this User Instructions booklet at hand for future use and subsequent sales.
- The user instructions and the maintenance manual are downloadable on our homepage.

Product Description

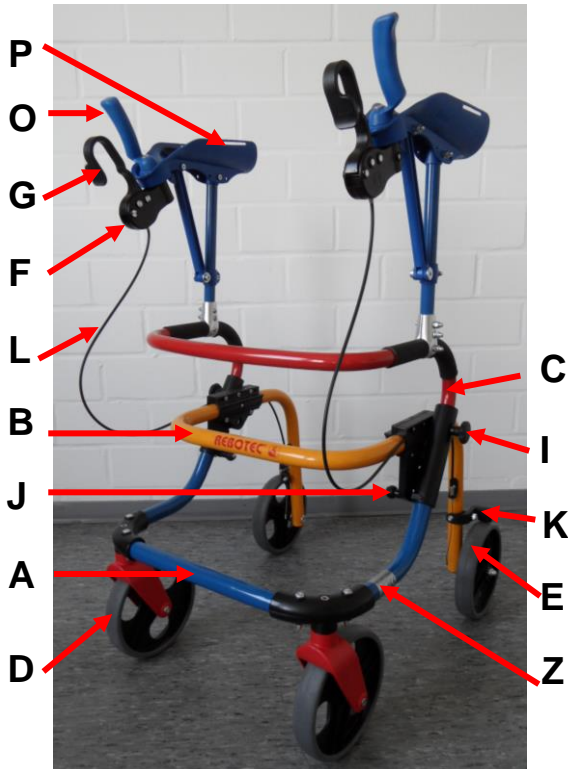


Diagram shows:

| | |
|---|---------------------------------------|
| A | Front wheel bow |
| B | Back wheel bow |
| C | Grip frame / handgrip |
| D | Front wheel compl. / swivel castor |
| E | Rear wheel / brake wheel |
| F | Hand lever |
| G | Brake handle |
| I | Star grip for adjusting handle height |
| J | Red pull-cord with locking pins |
| K | Brake lever with brake pad |
| L | Cable for brake |
| O | Handle for forearm support |
| P | Forearm support |
| Z | Nameplate for product |

Nameplate (Z)

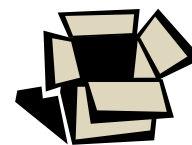


Always observe the allowable maximum patient body weight!

The name-plate is very important for product identification, and thus must not be removed.

Table of contents

| | | |
|------|--------------------------------------|---|
| 1. | General advisories | 3 |
| 1.1 | Introduction | 3 |
| 1.2 | Intended proper use | 3 |
| 1.3 | Equipment advisories | 3 |
| 2. | Warranty | 3 |
| 3. | Spare parts orders, complaints | 3 |
| 4. | Re-use, lifetime | 3 |
| 5. | Disposal | 3 |
| 6. | Symbol advisory | 3 |
| 7. | Safety advisories for use | 4 |
| 8. | Scope of delivery | 4 |
| 9. | Spare parts, accessories | 4 |
| 10. | Setting up for use | 5 |
| 10.1 | Installation of the walker | 5 |
| 10.2 | Adjustment of forearm height | 5 |
| 10.3 | Attach forearm support | 5 |
| 10.4 | Adjusting of the forearm cuff/length | 5 |
| 10.5 | Adjusting the arm cuff/angle | 5 |
| 10.6 | Setting the handle | 6 |
| 11. | Using the walker | 6 |
| 11.1 | Getting the walker ready for use | 6 |
| 11.2 | Sitting down and standing up | 6 |
| 11.3 | Function of the hand brake | 6 |
| 11.4 | Folding the walkers | 7 |
| 11.5 | Adjusting the brakes | 7 |
| 12. | Troubleshooting | 7 |
| 13. | Care | 7 |
| 14. | Maintenance | 7 |
| 15. | Technical specifications | 8 |



We recommend, if possible, keeping the packaging for later transport. This will allow secure packaging in the event of a return transport.



1. General advisories

1.1 Introduction

In this User Instructions booklet, you will find information and advisories for set-up, use, operation, maintenance and care of the walker Fixi-YANO and Fox-YANO with forearm support.

1.2 Intended proper use

The walker should not be used by patients who suffer from perceptual and strong balance disorders. It can be used only for indoor use on firm, level ground. The transport of heavy objects, attaching loads and use as a stand-up is improper.

The walker consists of a powder coated frame (steel pipe) and a grip handle and two padded forearm support. The tires consist of four plain bearing wheels; rotatable front and rear 360 degrees and with the parking brake (foot).

 **The maximum user weight of the walker Fixi- and Fox-YANO is 100 kg.**

1.3 Equipment advisories

The walker consists of a powder-paint coated frame (steel tubing) and a height-adjustable grip bow and tow padded forearm supports.

The 4 wheels consist of four tyres and plain bearings. The front wheels may be swivelled 360 degrees and the rear wheels are fixed.

On the handlebar a forearm support is mounted each left and right with handbrake.

By activating the brake lever, the permanent locking or rolling brake can be activated. The walker is foldable for allowing easy transport (Max. additional weight 4,0 kg).

2. Warranty

There is a **2-year warranty** on our walker. A prerequisite for the warranty is use in accordance to the requirements outlined herein, as well as conducting regular maintenance. Excluded are all wear parts (e.g.: brake pads, brake cable, wheel, and hand lever).

Not observing the User Instructions, improper maintenance and unauthorised modifications done to the product without the manufacturer's permission automatically lead to the immediate nullification of warranty and product liability (see Maintenance).

The delivery date written on the REBOTEC-delivery note applies as the valid start date of the warranty period.

3. Spare parts orders, complaints

To exclude incorrect spare parts deliveries and to ensure rapid processing of complaints, always provide the product name, serial number (SN) and the product's year of manufacture. You can find this information on the nameplate of the walker.

4. Re-use, lifetime



The walker is suitable for re-use.

The re-use (lifetime) depends on the product's condition. Before re-use, maintenance of the walker must be conducted and the applicable instructions concerning safety care and maintenance must be fully adhered to.

The expected lifetime of the walker can be **up to 3 years** when used properly and the safety instructions, maintenance intervals and care instructions are followed.

Beyond this time period, the walker can be used further if it is still in a safe condition (after a complete inspection).

5. Disposal

The walker consists of steel tubing, metal, plastic and wood which are all recyclable. Products that can no longer be used are to be disposed of separately from regular household rubbish. This must be done according to the local and national regulations for environmental protection and raw material recycling. Please contact your local disposal company or officials for further information.

6. Symbol advisories

Symbol - nameplate:



Read the User Instructions!



Product conforms to the Medical Products Directive 93/42/ EEC



Year of Manuf. Product



Serial No. Product

Symbols in the User Instructions:



Important advisory or information!



Language



Caution – Follow safety advisories!



Care



Maintenance



7. Safety advisories for use

A walker is a technical aid, and the user must abide by the following safety advisories and rules:



Danger of falling!

- Read the User Instructions before first-time use in order to avoid damages through improper use or other hazards. Be sure the maximum allowable weight for the product is not exceeded!
- Before each use, check for the proper function of the brakes and the overall stability of the walker.
- Before starting to walk, check the locking mechanism for unintended folding of the frame.
- First begin by walking and push the walker while standing upright with both hands gripping the grip handles.
- Check to be sure that the star-handles on the grip bow are tightened.
- Always walk inside of the walker and do not push the Gehwagen too far in front of you in order to avoid incorrect loading and increased risk of falling down.
- Use of the walker by users who do not have complete physical control and normal movement must not be done unsupervised.
- Push the walker according to your physical capability.
- When using on sloping the rolling speed can be higher than usually – activate the brake!



Danger of slipping!

- When sitting down on the wooden seat, do not sit only on the front edge. Sit on the entire seat. Before sitting down, set the brakes in the permanently locked position!



Danger of tipping over!

- When using the walker outside, use it only on even, solid paths and avoid high curbs and steps. If possible, look for areas with low curbs or have someone assist you in overcoming obstacles.
- Avoid using the walker on cobblestone surfaces or similar irregular surfaces. Avoid paths with steep grades, both going up or down, as you may lose control of the moving walker.
- Do not use the walker on any steps or stairs.
- With strong pressure on the forearm support the walker could tip backwards.
- Do not hang any objects on the walker and do not bend too far forwards over the grip bow as there is a danger of tipping over



Danger of pinching!

- There is an increased risk of pinching limbs and fingers at all joints and hinges on the walker. Be

extra careful of possible pinching of body parts or objects when folding and unfolding the walker.



Danger of injury!

- At surface temperatures over 40°C (104°F), there's a risk of injury. Therefore do not expose the walker to any source of heat (exposure to the sun, storing near a heater, cleaning with hot water) just before the walker is used. Before using the walker, allow it to cool down.

8. Scope of delivery

The product has been carefully inspected in the factory for freedom of defects and for completeness. After having received it, carefully check over the product for possible transport damages and for completeness.

- 1 Walker Fixi-YANO or Fox-YANO
- 1 User Instructions

9. Spare parts, accessories

| Article No. | Name, description |
|-------------|--------------------------|
| 288.00.45 | Front wheel, D=200 mm |
| 288.00.46 | Rear wheel, D=200 mm |
| 02.05.124 | User Instructions |
| 02.11.149 | Maintenance Instructions |

* Always replace the brake pads in pairs.



10. Setting up for use

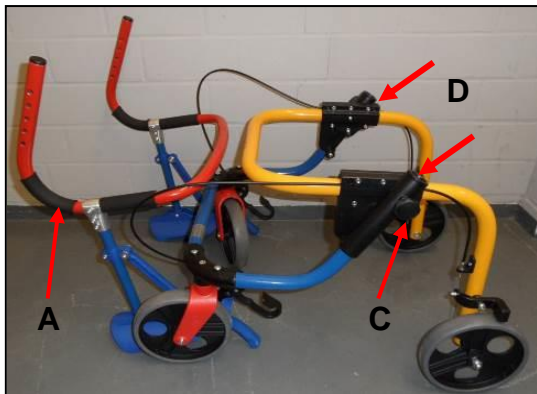
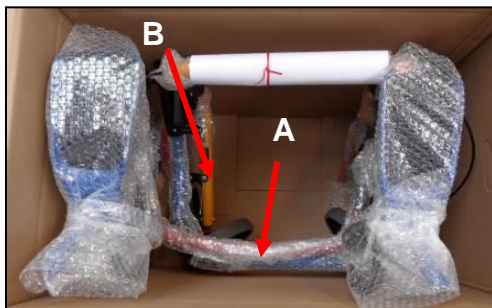
The product is delivered pre-assembled in the box. Before using the product it has to be individually adjusted by the dealer or nurse for proper function and user has to be briefed for the use.

10.1 Installation of the walker

For transport purposes, the walker is folded. Remove the handle bracket (A) and the rear frame (B). Put the walker on wheels and fold it apart by depressing the rear bracket.

Check if the walker is unfolded completely and the locking is engaged.

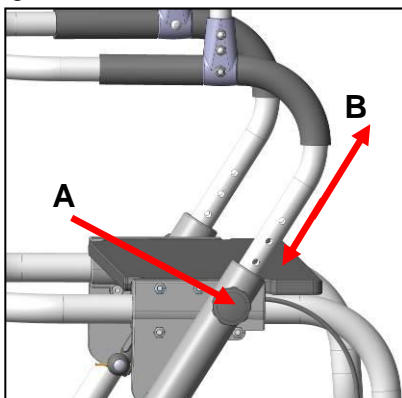
Remove the star grips (C) and install the handle bar (A) into the front fork (D.)



10.2 Adjustment of forearm height

The height of the forearm support is adjusted via the adjustable handle rail.

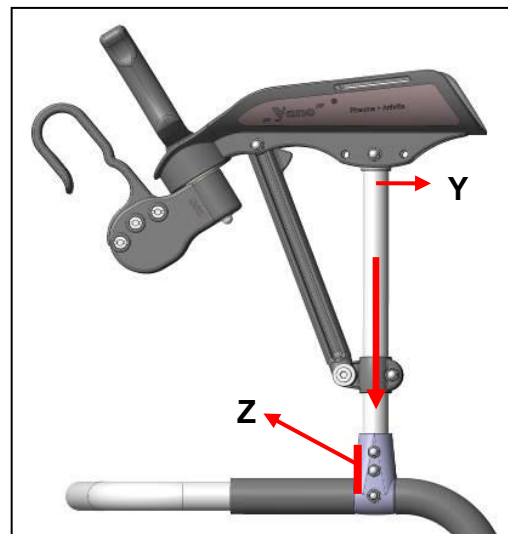
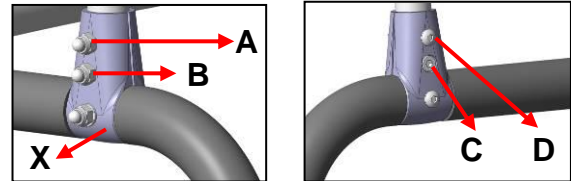
The height of the grip handles (A) must match the user's height. Adjust the grip handles to the desired height. Line up the holes (B) and then tighten together with the star screws.



10.3 Attach forearm support

Release the nuts (A, B) at the T-connector (X) / handle-bar the nuts and pull the screws (C, D) all the way out. Plug the tube (Y) with the forearm support in the T-connector until it stops.

Align the pipe straight and insert the screws through the holes of the T-connector and pipe. Fix all three screws (Z) firmly.

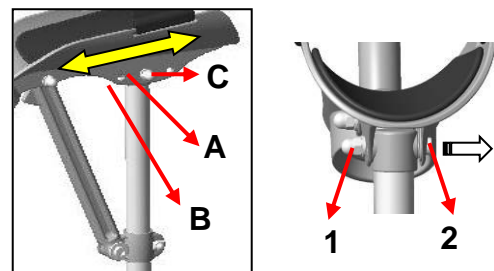


10.4 Adjusting of the forearm cuff / length

For adjusting the forearm length, there are three adjustment possibilities

(A= normal / B= short / C= long)

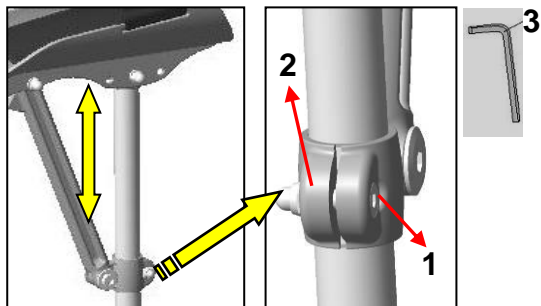
- Remove cap nut (1) with an open SW10 spanner and completely remove screw (2).
- Select desired adjustment, insert the screw and put on the cap nut firmly.



10.5 Adjusting the arm cuff/angle adjustment

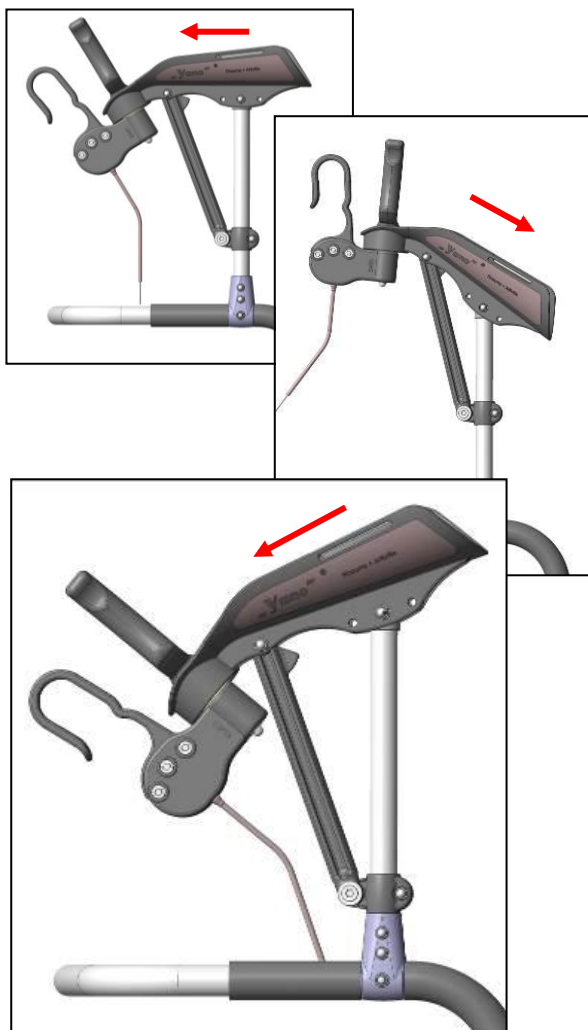
Through variable adjustment of the angle of the arm cuff, the position of the forearm can be adjusted.

- Loosen screw (1) of the clamping journal (2) of the support clevis using an SW 4 Allen key (3).
- With your hand (A), press the arm cuff downward to the desired position (max. angle adjustable until the stop (B).
- Tighten screw (1).



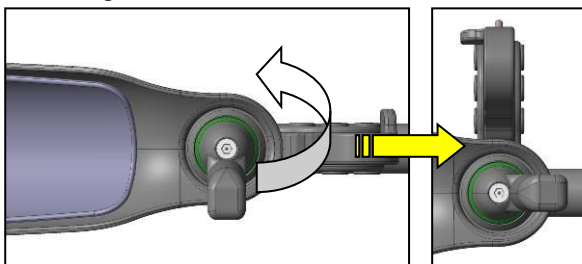
Settings

The tilt position is adjustable to each anchor point.



10.6 Setting the handle

The handle is continuously rotatable in the range of 180 degrees.



11. Using the walker

Before use, it must be assured that the walker or is in a proper condition for safe use.

If defects or malfunctions are detected, then the walker must not be used. In this case the defect or malfunction must be removed by a qualified serviceman.

11.1 Getting the walker ready for use

The walker must be unfolded and the locking pins must click into position. Check to be sure that the brake units are in good condition and functioning properly.

11.2 Pushing the walker

- Always walk in the interior area of the walker and do not push it too far in front of you.
- Do not bend over too far beyond the grip frame.
- When using the walker outside, use it only on solid even surfaces and paths. Avoid high curbs, if possible.
- When using the walker inside, do not roll it against door sills and thresholds, and watch out for loose or slippery floor coverings.
- While walking, do not have the permanent locking brake engaged or continuously apply the brakes. When pushing the walker, both brakes must be disengaged.

11.3 Function of the hand brake

The improper use of brakes can lead to unsafe situations and damage (increased wear, functional limitations). The walker must not be rolled when the brakes are applied or when the wheels are blocked by the permanent brakes.

Permanent locking brakes

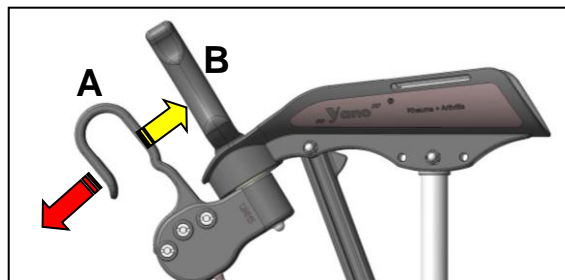
Push both brake levers downwards (A) until they click into position. Both rear wheels are now braked.

To release the brakes, pull the brake lever back to the handle (B) until the brakes are released.

Rolling brakes

Pulling the brake lever (A) to the handle (B) and holding them, the brake is locking the two rear wheels.

When releasing the levers, the brakes are then disengaged and the rear wheels are free to roll.





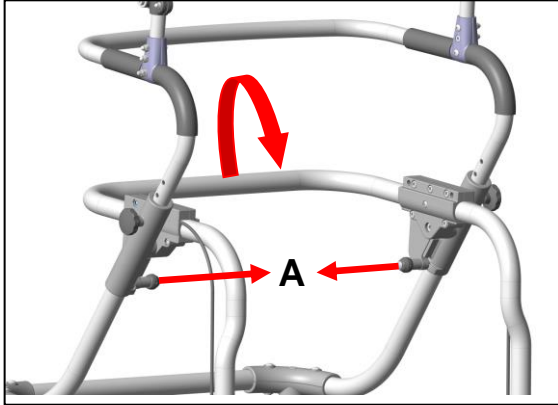
11.4 Folding the walker

Unfolding

Place the walker down on its wheels and press the frame downwards. The folding lock mechanism (locking pins) must click fully into position.

Folding up

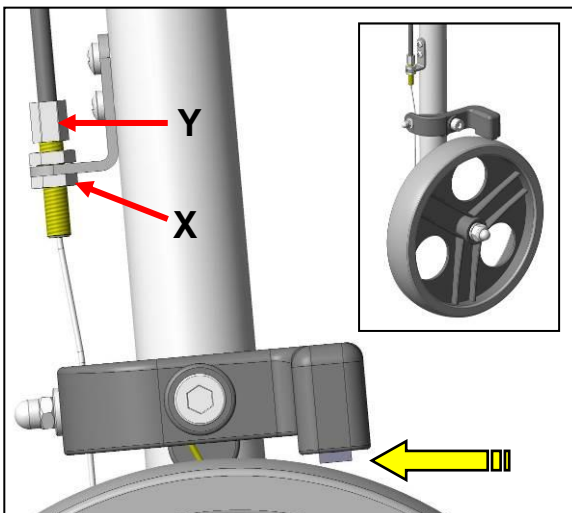
To cave in the walker pull on both clips (arrow A) as far as it will go. After that pull the pipe bracket (red arrow) and cave in the walker.



11.5 Adjusting and tightening the brakes

If the braking effect diminishes over time, then the walker may not be used and it must be repaired or adjusted by a qualified serviceman.

Loosen lock nut (X) and then adjust the brake with the adjustment screw (Y). Be sure that the released brake allows the wheel to turn unhindered, and that the wheel is locked when the brake is pulled. Then re-tighten the lock nut.



12. Troubleshooting

| Fault | Possible | Correction |
|-----------------------------|---------------------------|------------------------------------|
| Wheels turn with difficulty | Gummed up | Clean, inspect regularly |
| Locking pins jam | Gummed up | Clean, Replace locking pins |
| No brake function | Faulty | Maintenance! Replace item |
| Reduced brake function | Generally defective, wear | Maintenance, Adjust brake |
| Wheels are bent | Impact against obstacles | Maintenance! Replace |
| Visible cracks or breakage | Various causes | Maintenance! Replace |
| Armpad defective | Wear and tear. | Exchange defective parts |
| Loose connections | Wear and tear. | Check and exchange defective parts |

13. Care



In general the walker can be cleaned using a mild conventional cleaning and disinfecting agent. Simply wipe the walker with clean water and cloth, and then wipe dry with a clean cloth.

Do not use an abrasive scouring agent or cleaner (read the product instructions!) that contain aggressive solvents (acids, thinners, etc.). Do not use stiff cleaning brushes, as these will damage the surfaces or cause deposits to build up on the plastic parts and other materials.

14. Maintenance

The cause of accidents or damage may be due to the late detection of wear and / or improper use, as well as irregular maintenance.



For safety reasons and for preventing accidents, the walker must undergo a **complete maintenance at least once a year**. (Refer to the Medical Products Act and local requirements).

Special requirements of the product arising from use by the patient may require more frequent maintenance intervals.

**Maintenance / scope of inspection**

Maintenance should include the following checks and be documented:

- Visual check of all frame parts, such as: (damage, wear and corrosion)
 - Walker frame
 - Grip handles
 - Forearm supports
 - Brake wheels
 - Brake cable sets
 - Hand levers with brake lever
- Check all connector elements (screws, nuts) for completeness. Check fit and function.
- Check function of the folding mechanism.
- Function of the height adjustment.
- Function the brakes.
 - Braking when rolling (rolling braking).
 - Locking of the brakes (permanent locking).



If you have questions concerning maintenance and repairs to the walker, then contact an authorised dealer or medical equipment supply outlet.

When making repairs, use only original spare parts from REBOTEC. Observe all advisories concerning guarantee and warranty.

Never make any unauthorised modifications or conversions to the walker. These will only adversely affect the safety and function of the walker.

In such cases REBOTEC overtakes no liability!

Follow all the instructions when ordering spare parts, re-use and product lifetime of the walker. After a complete maintenance or repair of the walker is done, we recommend a complete cleaning for assuring hygiene. Follow the cleaning instructions.

15. Technical specifications

| Specifications | Fixi-Yano | |
|--|------------|-----------|
| max. User Weight | 100 | kg |
| Product weight ca. | 7,6 | kg |
| Length approx. | 680 | mm |
| Width approx. | 580 | mm |
| Total height approx. | 990 | mm |
| Hole height adjustment | fivefold | |
| Forearm support height above handle bar app. | 900-990 | mm |
| Total length/armrest | 260 | mm |
| Turning radius approx. | 700 | mm |
| Plain bearing wheels | Ø=200 | mm |
| Specifications | Fox-Yano | |
| max. User Weight | 100 | kg |
| Product weight ca. | 7,8 | kg |
| Length approx. | 680 | mm |
| Width approx. | 580 | mm |
| Total height approx. | 1100 | mm |
| Hole height adjustment | fivefold | |
| Forearm support height above handle bar app. | 990-1100 | mm |
| Total length/armrest | 260 | mm |
| Turning radius approx. | 700 | mm |
| Plain bearing wheels | Ø=200 | mm |

Type of brake: 2x permanent brakes
Process tolerance: +/-15 mm

Advisory!

We reserve the right to make modifications and further developments with regards to the illustrated design and specifications contained in this User Instructions booklet at any time without the notice.