

!ATTENTION: READ BEFORE ASSEMBLING/OPERATING!

ASSEMBLY & PACKING INSTRUCTIONS FOR THE MULTICHAIR 5100tx



multichair 5100tx

!ATTENTION: READ BEFORE ASSEMBLING/OPERATING!

November 2016

ASSEMBLY INSTRUCTIONS

!ATTENTION: PLEASE READ!

Please see Page 6: LIMITED WARRANTY of these instructions. If the warranty is not acceptable, contact Nuprodx, Inc. for information about returning the chair for a refund (Restocking fees and shipping charges will be applied). This chair is designed and intended for indoor shower and bathroom use. It is not designed for outdoor use and will void the warranty if used in this fashion. If thresholds, shower curbs or barriers are encountered that exceed ½" in height, the area in question should be brought within the code for disabled accessibility.



Figure 1

- A** The multiCHAIR 5100tx is shown in Figure 1.
- B** Unpack all parts from the shipping carton. Remove all tape and/or packing from the chair. Keep shipping materials and sheet-plastic which protects parts of your chair.
- C** Open the seat frame, lock the slide bolts, and position the frame upside down (Refer to Figures 2 & 3).
- D** Position the legs so that the brass buttons point outward (Making it easier for future leg height adjustment). Make sure that the legs slide "home" into the socket of the seat frame. Use the included ¼" Allen wrench to securely tighten the bolts located at the corners of the frame (Refer to Figure 4).

SAFETY PRECAUTION!

If any of the legs are not fitted correctly into the socket of the seat frame or are not securely tightened there is an extreme risk of the legs dislodging completely from the chair. This could cause serious injury or even death!

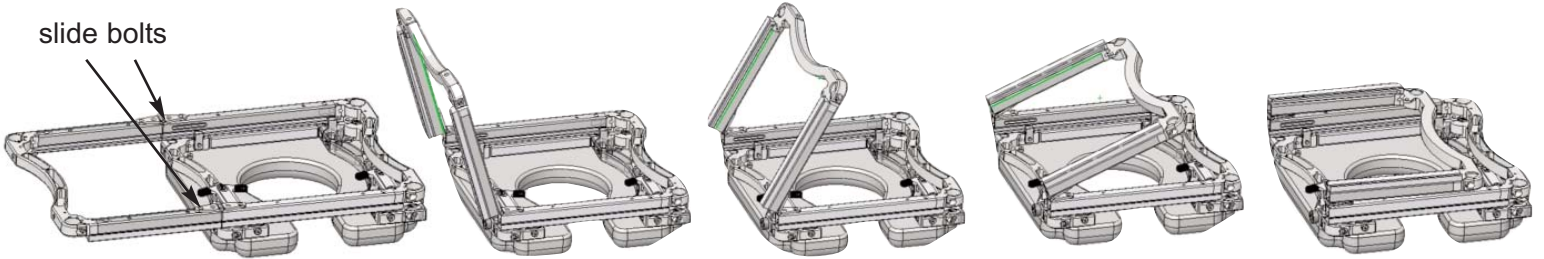


Figure 2

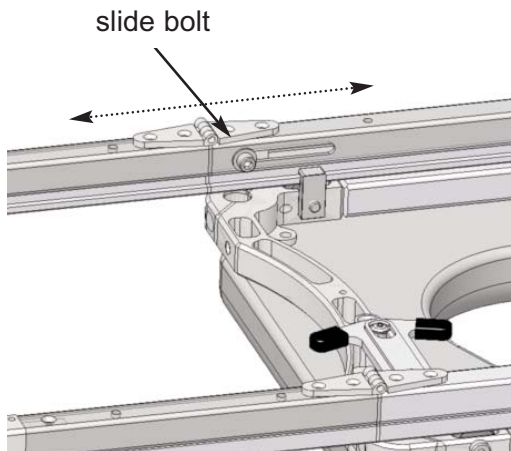


Figure 3

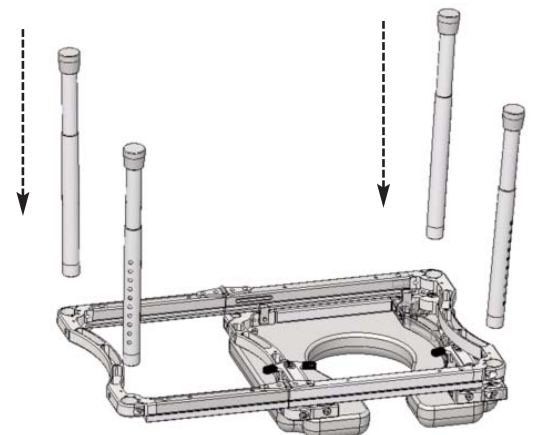


Figure 4

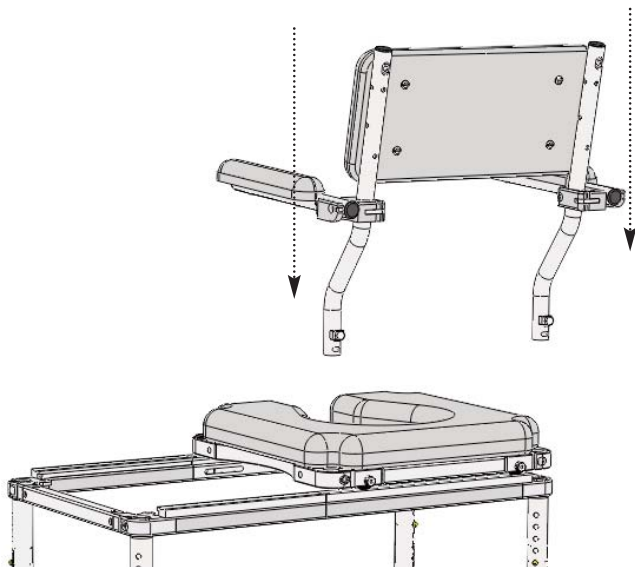


Figure 5



Figure 6

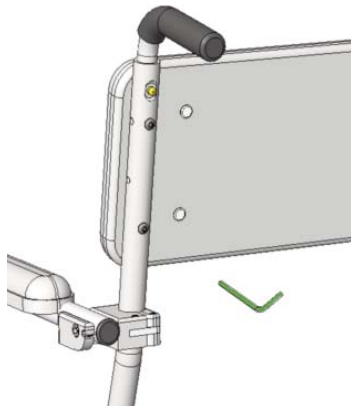


Figure 7

E Turn the chair right side up and install the backrest assembly. Slide the two backposts into the back of the seat frame and tighten the two socket head cap screws using the yellow T-handle Allen wrench (Refer to Figures 5 & 6). Also tighten the four button head capscrews that attach the back cushion to the back posts using the 5/32" Allen wrench (Refer to Figure 7).

SAFETY PRECAUTION!

Both backrest posts must be completely engaged with the seat frame and securely tightened. If they are not fitted correctly, there is a risk of the posts dislodging from the seat frame. This could cause serious injury or even death!

OPERATING INSTRUCTIONS

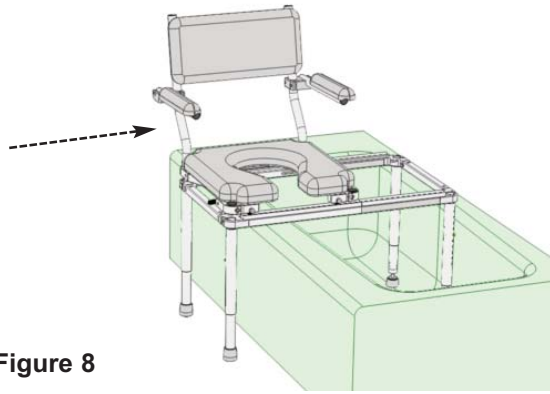


Figure 8

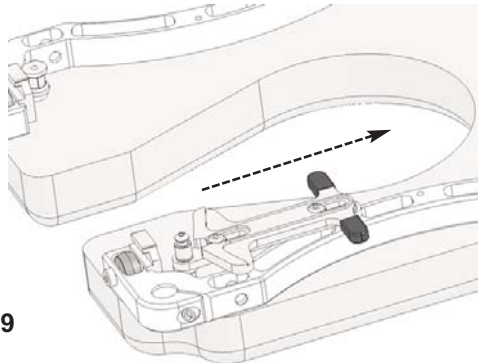


Figure 9

A Ensure all fasteners (bolts/washers) are securely tightened and all chair parts have been assembled correctly (Refer back to Assembly Instructions if needed. Contact NuprodX, Inc. if unsure of anything).

B Commode Chair: Position the multiCHAIR over the toilet, so that the center of the commode opening is directly above the center of the toilet bowl. Adjust the height of the multiCHAIR accordingly by setting the position of the brass buttons on the four inner legs to the various adjustment holes on the outer legs.

SAFETY PRECAUTION!

Ensure that the height of each inner leg is set to make the multiCHAIR level. If this is not properly done, the multiCHAIR could tip to one side causing the user to fall. This could result in serious injury or even death!

C Shower Chair: Position the multiCHAIR inside the bathtub/shower. Adjust the height of the multiCHAIR accordingly by setting the position of the brass buttons on the four inner legs to the various adjustment holes on the outer legs (Refer to Figure 8). Pull the release latch open on the slider seat frame and transfer into the tub portion until the latch engages onto the opposite stop (Refer to Figure 9).

ADDITIONAL SAFETY PRECAUTIONS

!ATTENTION: PLEASE READ!

WARNING! Failure to account for the aforementioned and the following safety precautions can result in serious injury to the user or even death!

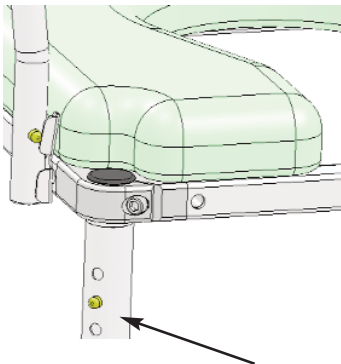


Figure 10

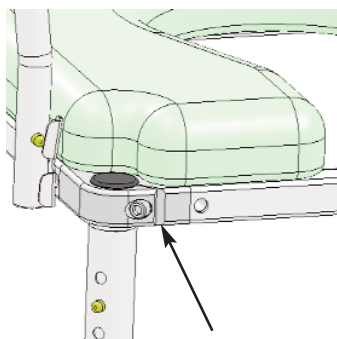


Figure 11

A Leg Height Adjustment: When making height adjustments to any of the legs, make sure that the brass buttons are fully engaged into the outer legs. If pushed too hard the button could become stuck inside the inner leg (Contact NuprodX, Inc. if this occurs). Leg height adjustment should only be made before transferring the user into the chair (Refer to Figure 10).

B Crutch Tips: Before transferring into and out of the chair, all four crutch tips must be securely planted onto the floor. Failure to do so could cause the chair to become unstable.

C Fasteners: Over time the screws and washers on the chair may become loose. It is very important that these are checked and securely tightened before each use. Failure to do so could cause a part to dislodge from the chair (Refer to Figure 11).

LIMITED WARRANTY

A WARRANTY ACTIVATION Please read this warranty before operating or using your multiCHAIR. To activate the warranty on your multiCHAIR register it online (www.nuprodx.com/form-registration/index.htm) or by phone. By operating or using the chair, you agree to the terms of this warranty.

B WARRANTY: Nuprodx, Inc. warrants this product against defects in material and workmanship as follows: There is a *10-Day conditional money-back warranty*. During this time period, the customer is permitted to try out the multiCHAIR, fully-clothed, keeping the chair in "like new" condition (NOTE: "Like new" condition, in terms of the multiCHAIR, is defined by Nuprodx, Inc. as no visible wear/usage/water marks for the multiCHAIR to be accepted and refunds issued when returned to Nuprodx, Inc.). If the customer decides that the multiCHAIR will not work for them, before the 10-Day period has passed and with the authorization of Nuprodx, the chair can be returned for a full refund minus a *10% restocking charge* (NOTE: The customer is responsible for both in-bound and out-bound freight). After the initial 10-Day period has passed, there is a *two-year limited warranty* for all parts of the chair, with the exception of the seat and back cushions (NOTE: Because of the fragile nature of the foam, there is no warranty for the cushions). The warranty does not cover normal "wear and tear" from everyday use of the product and custom parts/custom cushions are also excluded from the warranty and cannot be returned for a refund under any circumstances. Please see section E WARRANTY LIMITATION AND EXCLUSIONS for more info on warranty exclusions.

C The warranty period begins on the date you receive the chair. For warranty service, please contact Nuprodx, Inc. no later than one month following the applicable warranty term. The chair will be repaired or replaced at the discretion of Nuprodx, Inc. with no charges to you for parts and labor, provided you have proof of purchase and of purchase date.

D DISCLAIMER: Except for the above warranty, and the acknowledgement by Nuprodx, Inc. that the chair, as manufactured by it, is fit for the general purpose for which most persons acquire a chair of its kind, Nuprodx, Inc. provides that you accept the chair as is, without warranties, either express or implied. Nuprodx, Inc. makes no warranty of fitness for your particular purpose and no warranty of merchantability beyond that already stated. No warranties extend beyond the duration of the express warranty stated above.

E WARRANTY LIMITATIONS AND EXCLUSIONS: The only obligation of Nuprodx, Inc. is to provide the purchaser with free repair and replacement as described above. This exclusive warranty remedy will not have failed as long as Nuprodx, Inc. is willing and able to repair or replace as described, but if this remedy should be held to have failed, the only remaining warranty obligation of Nuprodx, Inc. shall be to refund the acts beyond the control of Nuprodx, Inc. The warranty does not cover normal "wear and tear" from everyday use of the product. Standard seat/back cushions/custom parts/custom cushions are not covered under the warranty.

F This warranty gives you specific legal rights, and you may have other rights that may vary from state to state.

G This warranty does not apply to problems arising from normal wear, improper operation, improper maintenance, improper storage or similar disclaimer of implied warranties, and some do not allow limitations on how long an implied warranty may last. Some do not allow exclusion or limitation of incidental or consequential damages. So the above limitations or exclusions may not apply to you.

H RETURN INSTRUCTIONS In the event that you need to return the Nuprodx multiCHAIR, please follow the instructions below:

- 1) Review the information contained in your warranty to see if this applies to you
- 2) Obtain a Return Authorization # from Nuprodx, Inc.
- 3) Re-package the entire chair and its contents in the original packaging and ship to the following address:

Nuprodx, Inc. / Attn: RMA# xxxx
161 S. Vasco Rd., Suite G
Livermore, CA 94551
925-292-0714



889 Hayes St., Sonoma, CA 95476

(707) 934-8266, (707) 934-8269 fax, (855) 220-5171 toll free, info@nuprodx.com

PACKING INSTRUCTIONS

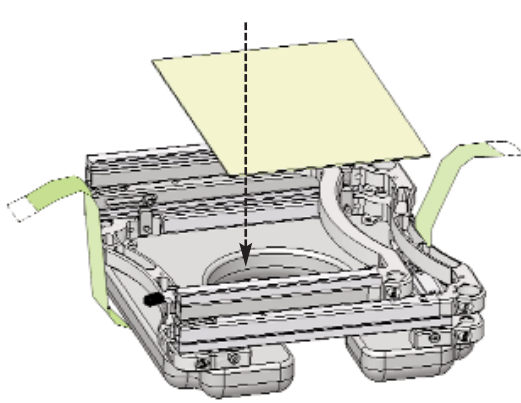


Figure A - Drape the black strap across the bottom of the carrying case (not shown for clarity). Place the inverted shuttle & track frame inside the case. Locate the plastic panel at the bottom of the frame.

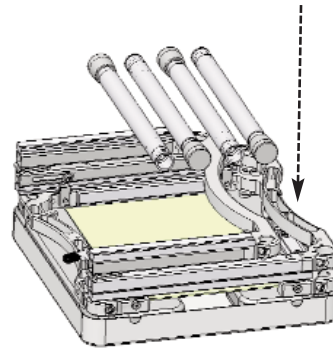


Figure B - Place the legs in the inverted cushion and frame.

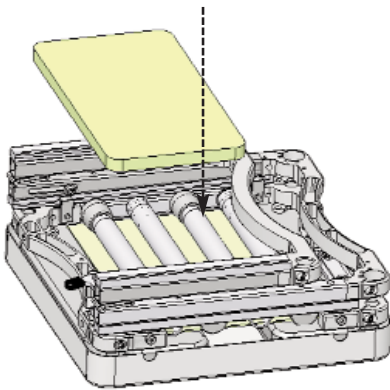


Figure C - Place the foam on top of the legs.

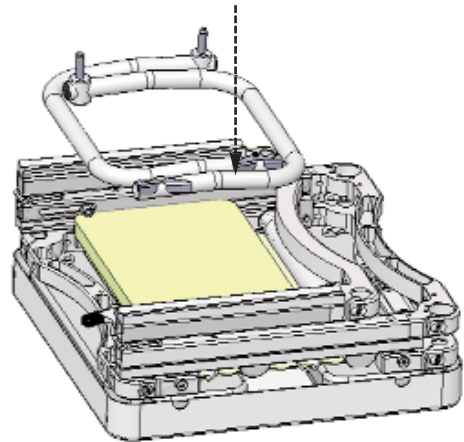


Figure D - Place the two side arms on top of the foam.

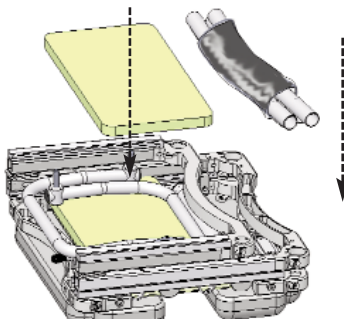


Figure E - Place a second piece of foam on the arms, and lay the back posts with rolled up cloth as shown.

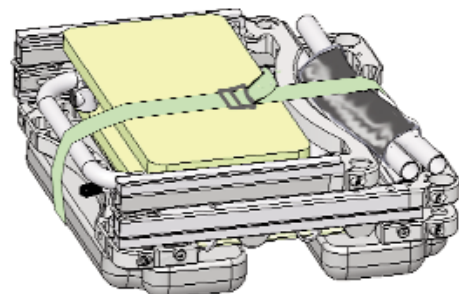


Figure F - Tighten the cloth belt around the complete frame.



889 Hayes St., Sonoma, CA 95476

(707) 934-8266, (707) 934-8269 fax, (855) 220-5171 toll free, info@nuprodx.com