

# Assembly & User Manual

V2.6 Updated: 02/13/2023  
Patent: US 7,971,596 B2



## WARNINGS

<b>Always follow assembly instructions</b>	<b>Coverlet safety sheet must be used at all times to prevent entrapment</b>
<b>Only use the recommended size mattress: see technical specs</b>	<b>Maximum weight (occupant): single 450lb/204kg</b>

# TABLE OF CONTENTS

1.....	Washing and Handling Instructions
2.....	Disclaimer
3.....	Disclaimer
4.....	Technical Specifications
5.....	Technical Specifications
6.....	Assemble Twin/Single Frame
7.....	Assemble Twin/Single Frame
8.....	Assemble Full/Double/Queen Frame
9.....	Assemble Full/Double/Queen Frame
10.....	Attaching Enclosure to Frame
11.....	Attaching Enclosure to Frame
12.....	Inserting the Mattress
13.....	Adding and Removing the Coverlet Safety Sheet
14.....	Suitcase Packing
15.....	Air Mattress
16.....	Regulations and Testing Compliance
17.....	Important Information

# WASHING & HANDLING INSTRUCTIONS

**PRIOR TO USE WASH THE ENCLOSURE AND COVERLET SAFETY SHEET(S).**

## WASHING INSTRUCTIONS

Machine wash on delicate cycle in either a front loading washing machine or a top-loading machine without a center agitator. Use **only laundry detergent and/or vinegar**. **All zippers must be closed before washing**. Entire enclosure, frame pads, and coverlet safety sheet can be washed.



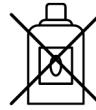
Wash cold or warm on gentle



Use vinegar



Use laundry detergent



Do not use fabric softener



Do not dry clean



Do not bleach

## DRYING INSTRUCTIONS

Tumble dry The Safety Sleeper® on low heat, or line dry.



Dry on low heat



Line dry



Dry on gentle



Do not iron

Find The Safety Sleeper® instructional videos on assembly and care at: [safetysleeper.com/pages/assembly](https://safetysleeper.com/pages/assembly)  
Or scan the QR Code.



# DISCLAIMER

## **RECOMMENDED USE**

For proper use, care and assembly, all instructions must be specifically adhered to. Wash before first use of this product. Bed is not intended for use as a toy, play equipment or as a disciplinary device. Recommended for ages 3 and up.

## **ENTRAPMENT HAZARD**

Pillows, blankets, and stuffed animals to be used at caregiver's discretion. **Coverlet safety sheet must be used at all times** to reduce the risk of serious injury from entrapment between the mattress and bed enclosure.

**Abram's Nation is not responsible for any accidents or injuries that could occur if this product is used for purposes not intended.**

# DISCLAIMER

**Read and follow instructions before assembly and use. Save this manual for future reference. If you do not have instructions, do not use this product. Contact Abram's Nation at [customercare@safetysleeper.com](mailto:customercare@safetysleeper.com), +1 724-967-5337 or visit [www.safetysleeper.com](http://www.safetysleeper.com)**

## PROPER USE

- Periodically inspect enclosure (wear, tear, loose stitching, and zippers) and frame (worn, bent, broken frame pieces and/or spring pins) for any damage that could compromise the safe usage of the product. If there is significant damage please contact our customer support to start the repair process.
- In order to reduce the risk of tipping, use provided stabilizing straps to secure the enclosure and frame to the underlying standard wooden or metal bed frame (not included).
- Ensure your in-home mattress (when applicable) meets safety guidelines (<https://sleepproducts.org/advocacy/federal-mattress-regulations/>).

## IMPROPER USE

- Do not use The Safety Sleeper® if any parts are missing or broken. Contact Abram's Nation for replacement parts and instructional literature if needed.
- Do not substitute parts.
- Do not alter the enclosure. Repairs should only be done by Abram's Nation or authorized distributors. Contact Abram's Nation for more information.
- Do not climb on top of the enclosure.

# TECHNICAL SPECIFICATIONS

## EXTERIOR OVERALL DIMENSIONS

Size	Length	Width	Height
US Twin	189.23cm/74.5"	105.41cm/41.5"	111.76cm/44"
US Twin XL	201.93cm/79.5"	105.41cm/41.5"	111.76cm/44"
EU Single	200cm/78.75"	97.8cm/38.5"	111.76cm/44"
AU Single	188cm/74"	99.7cm/39.25"	111.76cm/44"
UK Single	189.2cm/74.5"	97.8cm/38.5"	111.76cm/44"
US Full	189.23cm/74.5"	143.51cm/56.5"	111.76cm/44"
EU Double	200cm/78.75"	147.8cm/51.8"	111.76cm/44"
AU Double	188cm/74"	146cm/57.5"	111.76cm/44"
UK Double	189.2cm/74.5"	143.5cm/56.5"	111.76cm/44"
US Queen	201.93cm/79.5"	158.75cm/62.5"	111.76cm/44"

## MATTRESS DIMENSIONS

Size	Length	Width	Height
US Twin	189.23cm/74.5"	93.98cm/37"	20.5cm/8"
US Twin XL	201.93cm/79.5"	93.98cm/37"	20.5cm/8"
EU Single	200cm/78.74"	87.45cm/34.43"	20.5cm/8"
AU Single	188cm/74"	89.46cm/35.22"	20.5cm/8"
UK Single	190cm/74.8"	87.45cm/34.43"	20.5cm/8"
US Full	189.23cm/74.5"	132.08cm/52"	20.5cm/8"
EU Double	200cm/78.74"	137.46cm/54.12"	20.5cm/8"
AU Double	188cm/74"	135.46cm/53.33"	20.5cm/8"

+1 724-967-5337 | [customercare@abramsnation.com](mailto:customercare@abramsnation.com) | [safetysleeper.com](http://safetysleeper.com)

Size	Length	Width	Height
US Twin	189.23cm/74.5"	93.98cm/37"	20.5cm/8"
US Twin XL	201.93cm/79.5"	93.98cm/37"	20.5cm/8"
EU Single	200cm/78.74"	87.45cm/34.43"	20.5cm/8"
UK Double	190cm/74.8"	132.46cm/52.15"	20.5cm/8"
US Queen	203.2cm/80"	147.32cm/58"	20.5cm/8"

## TECHNICAL SPECIFICATIONS

### OPERATING CONDITIONS

The Safety Sleeper® is designed for normal indoor conditions.

### MATERIALS

Fabric & Mesh: 100% Polyester Material Flame Resistant

Bias Binding: 50% Cotton/50% Polyester

Webbing: 100% Polypropylene

### FRAME

Aluminum

Nylon

Stainless Steel

### WEIGHT

Shipping: Total product weight with suitcase: under 50lbs/23kg

\*excluding queen which is approximately 55lbs/25kg

Occupancy maximum weight/load: 450 lbs (204 kg)

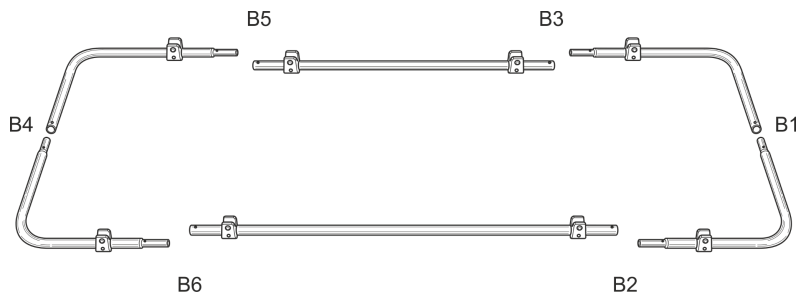
+1 724-967-5337 | [customercare@abramsnation.com](mailto:customercare@abramsnation.com) | [safetysleeper.com](http://safetysleeper.com)

# ASSEMBLE TWIN/SINGLE FRAME

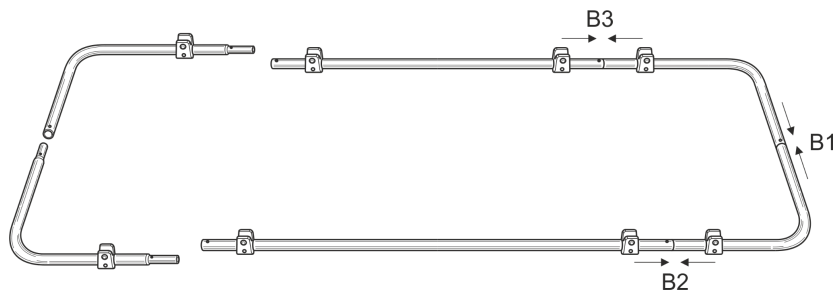
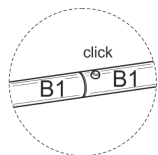
**Assembly videos also available at:**

[safetysleeper.com/pages/assembly](http://safetysleeper.com/pages/assembly)

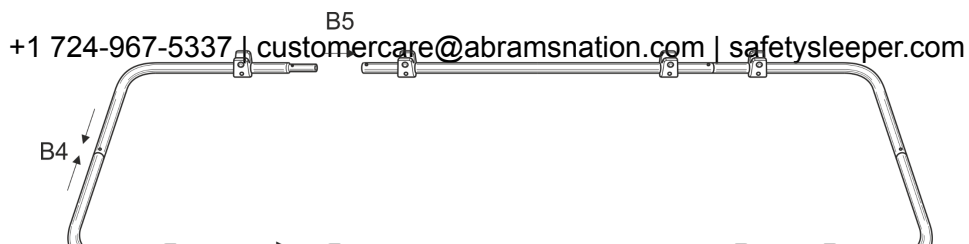
**STEP 1:** Lay six pieces labeled B1, B2, B3, B4, B5, B6 on the ground with labels facing up.



**STEP 2:** Connect B1 to B1, B2 to B2, and B3 to B3 in numerical order by pushing in the button & sliding together until the button clicks into place.



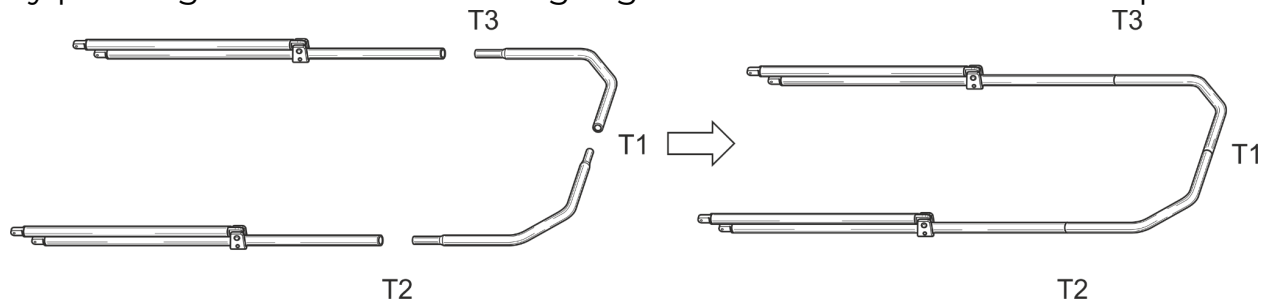
**STEP 3:** Connect the B4 pieces to each other first. Then align the B5 & B6 frame piece across from each other and connect to their counterparts at the same time to ensure they snap together properly.



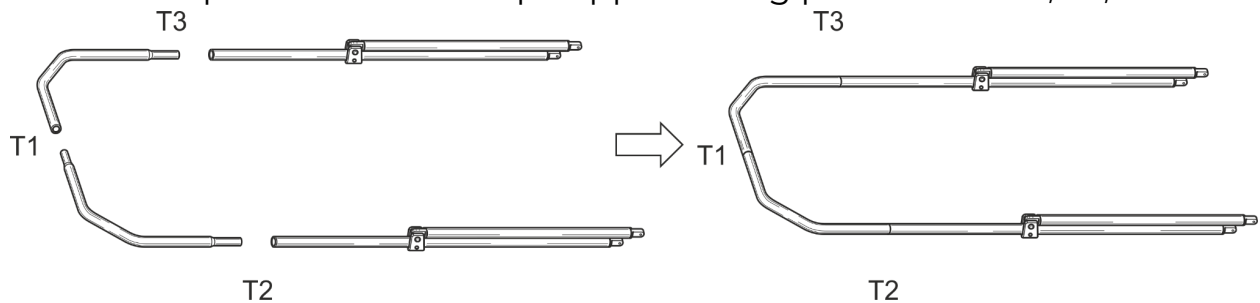


# ASSEMBLE TWIN/SINGLE FRAME

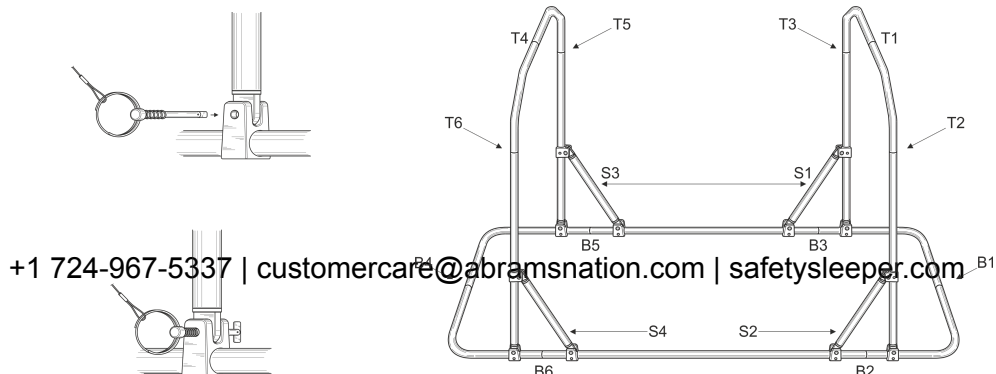
**STEP 4:** Lay out four top frame pieces labeled T1, T2, T3, then connect by pushing in button and sliding together until button clicks into place.



**STEP 5:** Repeat for second top support using pieces with T4, T5, T6.



**STEP 6:** Hold the T1-T3 vertically and line it up with the B2-B3 base pieces making sure support pieces are facing towards the center of the frame and match the correct jaw slide (S1 to S1, S2 to S2). Line up each connection point so that push pin/spring pin can slide through and then flip push pin toggles to secure the top pieces to the base. Secure the support pieces the same way. Repeat with the other side.

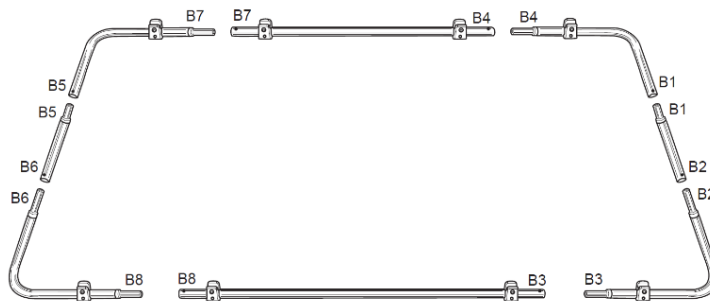


+1 724-967-5337 | [customer care@abramsnation.com](mailto:customer care@abramsnation.com) | [safetysleeper.com](http://safetysleeper.com)

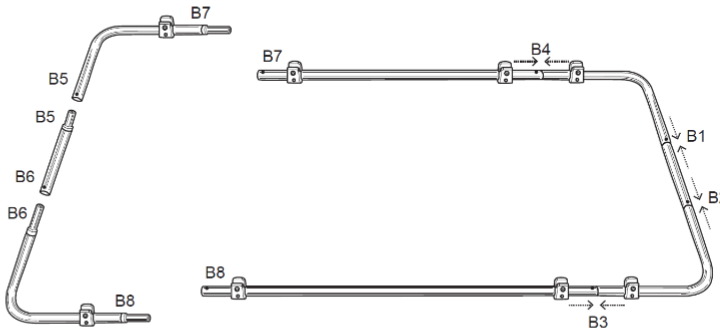
**NOTE:** To release the push pins, push the head of the pin, align the toggle horizontally, and pull out.

## ASSEMBLE FULL/DOUBLE/QUEEN FRAME

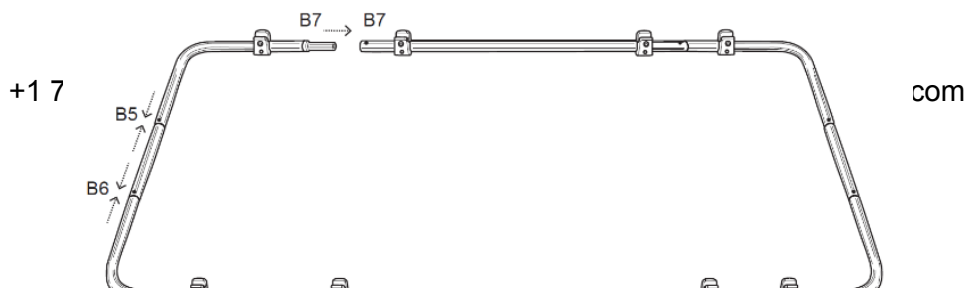
**STEP 1:** Lay all eight pieces labeled B1, B2, B3, B4, B5, B6, B7, B8 on the ground with labels facing up.



**STEP 2:** Connect B1 to B1, B2 to B2, B3 to B3 and B4 to B4 in numerical order by pushing in button & sliding together until button clicks into place.

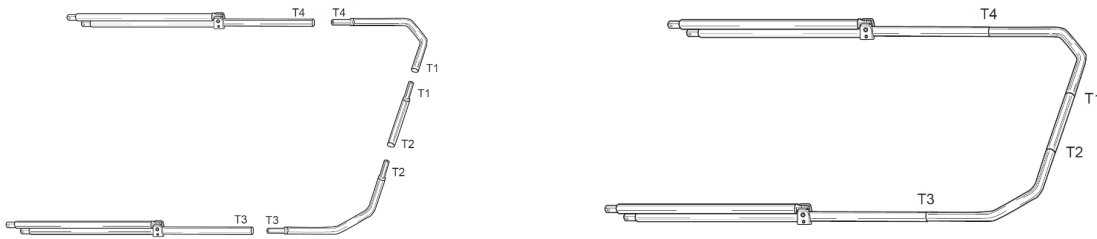


**STEP 3:** Connect the B5 to B5, B6 to B6, then align B7 and B8 frame pieces across from each other and connect to their counterparts at the same time to ensure they snap together properly.

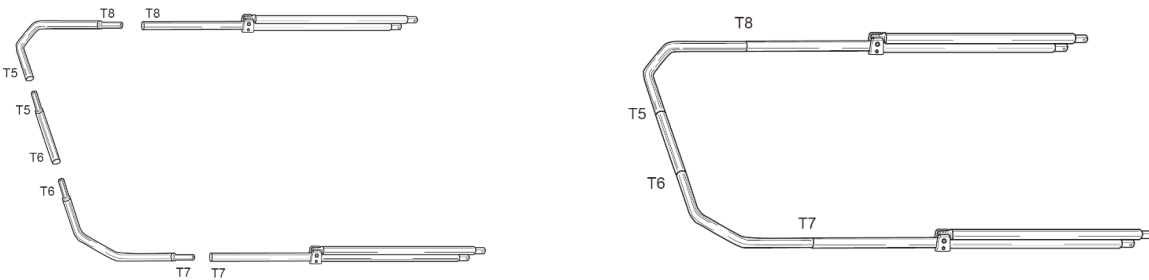


# ASSEMBLE FULL/DOUBLE/QUEEN FRAME

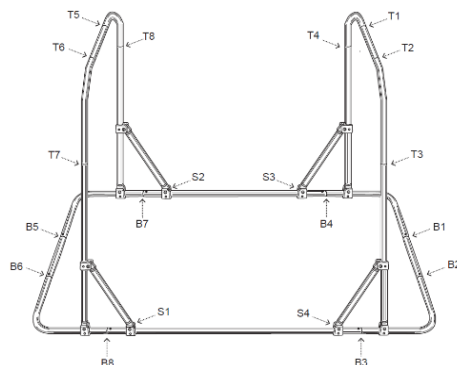
**STEP 1:** Lay out five top frame pieces labeled T1, T2, T3, T4 then connect by pushing in button and sliding together until button clicks into place.



**STEP 2:** Repeat for second top support using pieces with T5, T6, T7, T8



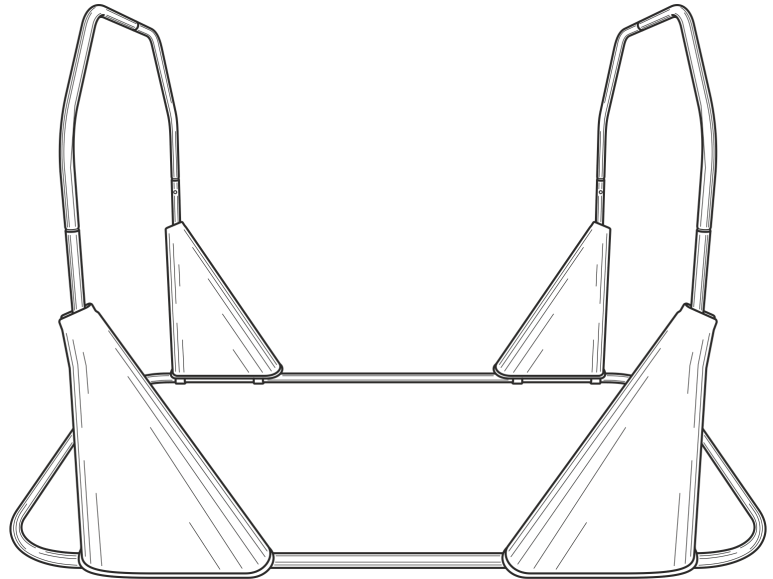
**STEP 3:** Hold the T1-T4 vertically and line it up with the B3-B4 base piece making sure support pieces are facing towards the center of the frame and match the correct jaw slide (S1 to S1, S2 to S2). Line up each connection point so that push pin can slide through and then flip push pin toggles to secure the top pieces to the base. Secure the support pieces the same way. Repeat with the other side.



+1 724-967-5337 | [customercare@abrams](mailto:customercare@abrams)

**NOTE:** To release the push pins, push the head of the pin, align the toggle horizontally, and pull out.

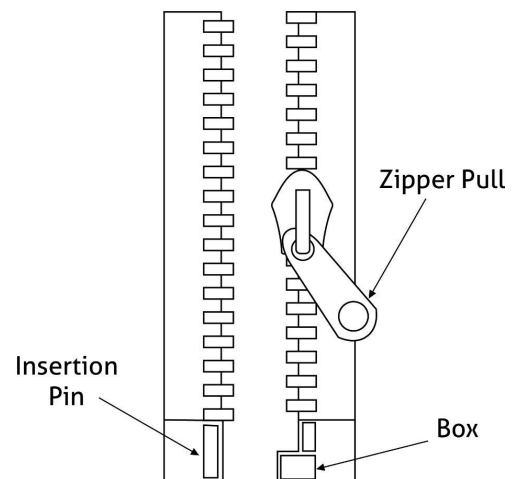
## ATTACHING TO FRAME



**STEP 1:** Attach the frame pad covers so they cover the push pins. Zipper goes on vertical bar.

**TIP:** Ensure the pin is fully engaged into the box before zipping.

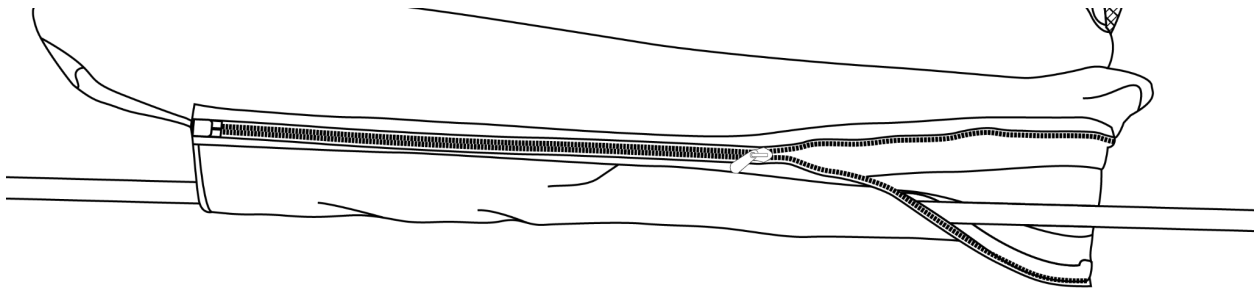
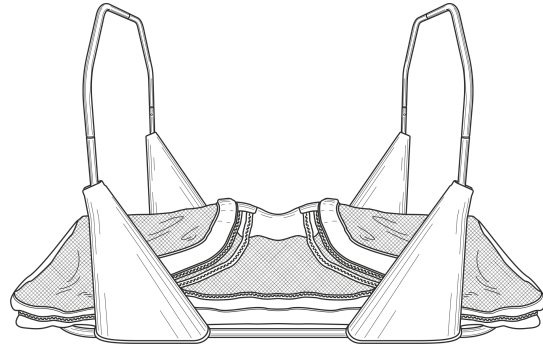
\*Frame pads can be installed before or after inserting the mattress.\*



+1 724-967-5337 | [customercare@abr.com](mailto:customercare@abr.com)

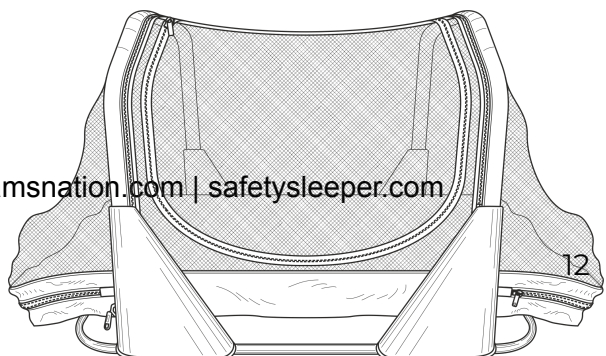
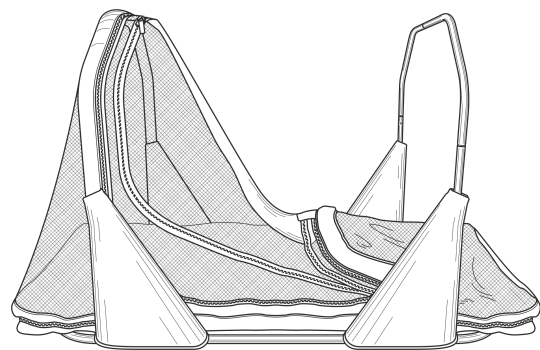
## ATTACHING TO FRAME

**STEP 2:** Lay enclosure with roof zippers facing up, on the inside base of the frame.



**STEP 3:** Attach the enclosure to the base frame at the head and foot, or B1 and B4 (Twin/Single) or B1/B2 and B5/B6 (Full/Queen/Double). Using the zipper tab under the enclosure.

**STEP 4:** Lift one side of the enclosure to the top frame, then attach the enclosure to the frame by wrapping the padding around the frame and securing it with the zipper.

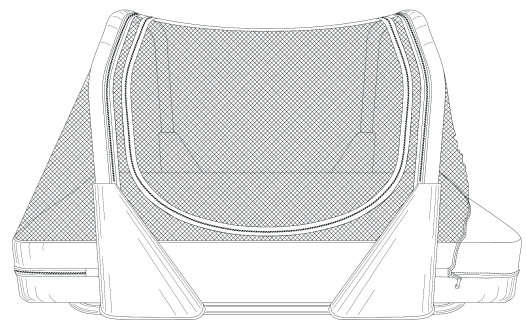


**STEP 5:** Repeat step four for the other side of the frame.

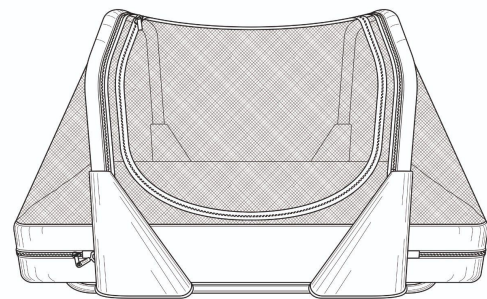
## INSERTING THE MATTRESS

For daily home use a standard 8" waterproof memory foam mattress is provided (US & Can). Any 8-10" standard mattress can be used inside of The Safety Sleeper®. **Air mattress is for travel use only.**

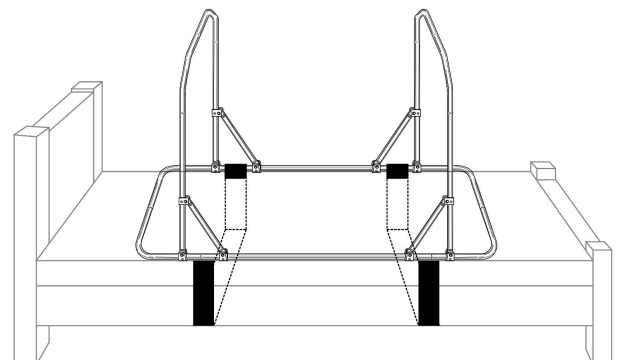
**STEP 1:** Unzip one or both of the mattress pockets on either side of the enclosure.



**STEP 2:** Close the zipper around the end of the mattress. Secure zipper pull tab into swivel locking clip. \*Check that the zippers for both mattress entry points are secured into the swivel locking clip.



**STEP 3:** Although the bed may be used directly on the floor, for added stability we recommend placing it on a bed frame (with or without a box spring) and using the provided stabilizing straps to secure The Safety Sleeper® frame



+1 724-967-5337 | [customercare@at](mailto:customercare@at)

to the bed frame.

\*photo shown with frame for visualization purposes only.

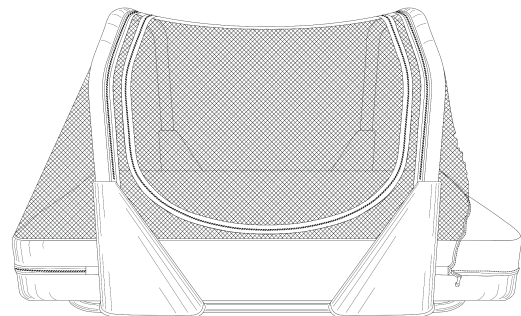
## ADDING AND REMOVING THE COVERLET SAFETY SHEET

The Safety Sleeper® utilizes a coverlet safety sheet design that creates a completely enclosed pocket for the mattress. The coverlet safety sheet can easily be removed and laundered (for more, see the “Washing and Care Instructions”).

**WARNING: A Coverlet Safety Sheet must be used at all times to avoid risk of entrapment between the mattress and the enclosure.**

### REMOVE/CHANGE COVERLET SAFETY SHEET

**STEP 1:** Unzip the mattress pocket directly below **The Safety Sleeper®** tag to gain access to the coverlet safety sheet zipper.

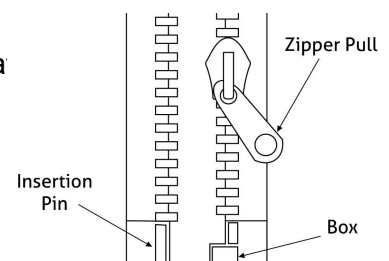


**STEP 2:** Detach Velcro lock and start to unzip coverlet safety sheet. Pass zipper up through so it can be accessed from the top of the coverlet safety sheet (from inside of the enclosure).

**STEP 3:** Open the door of the bed to give yourself more access and continue unzipping the coverlet safety sheet from around the mattress until coverlet safety sheet is separated completely. (Do this process in reverse to reattach coverlet safety sheet.)

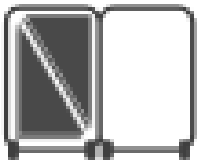
### REATTACHING COVERLET SAFETY SHEET

+1 724-967-5337 | [customercare@abramsnation.com](mailto:customercare@abramsnation.com) | sa

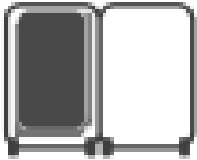


Ensure the pin is completely engaged in the box before zipping.

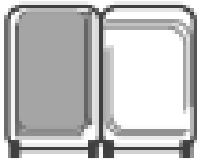
## SUITCASE PACKING



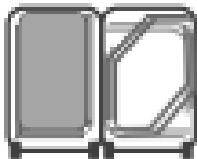
1. Lay triangular frame pads on left side.



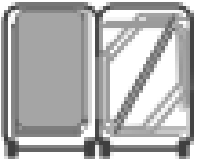
2. Place folded enclosure over the frame pads.



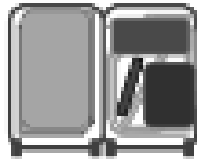
3. Pack right angle pieces from base frame.



4. Pack double 45 degree angle pieces from top metal frame.



5. Pack straight pieces angled between corners.



6. Pack the air mattress, extra coverlet safety sheet, and stabilization straps on top.



# AIR MATTRESS

## **Air mattress is intended for travel use only.**

The following safety tips are provided by the air mattress's manufacturer.

### Air Mattress Safety Tips

1. Stretching is a natural characteristic of new vinyl. During initial use, your airbed may become soft and require additional inflation to maintain desired firmness. This is normal for the first few days of use.
2. Always keep your airbed fully inflated when in use. Do not over inflate.
3. Keep the airbed away from stairs, windows and sharp, breakable objects.
4. Never stand, walk or jump on your airbed.
5. Always keep the flocked side of the mattress up.
6. Do not leave built in pumps plugged in while inside of the enclosure
7. Follow above guidelines to avoid entrapment, serious injury or property damage.
8. Clean your airbed with mild soapy solutions. Do not use chemicals.

## REGULATIONS AND TESTING COMPLIANCE

**The Safety Sleeper® uses medical grade flame retardant fabrics and is subject to and compliant with the following regulations.**

- FDA Registered Medical Device
  - Operator: 10049434
  - Registration: 3011389091
  - Listing: D234571
- Regulation (EU) 2017/745
- EN 12182:2012
- EN 1021-1/-2
- General Product Safety Directive 2001/95/EC
- Prop 65 Compliant (nothing that requires warnings)
- REACH Regulation 1907/2006/EC

Regulation on Persistent Organic Pollutants 850/2004/EC

**Made in Pennsylvania, USA.**

**European Representative:**

Murrays' Medical Equipment Ltd, Airton Road  
Tallaght, Dublin 24, Ireland. DL: 00 353 (0) 1 866 3333

**IMPORTANT INFORMATION**

The Safety Sleeper®

**Information for your records**

Serial # \_\_\_\_\_

Date you received your bed \_\_\_\_\_

Purchased by (DME/Non-profit) \_\_\_\_\_

**Staple your receipt to this manual for easy reference**

\*Open memory foam mattresses are non-returnable, even within the 30 day period.



**Find The Safety Sleeper® warranty activation at:**

**<https://safetysleeper.com/pages/warranty-activation>**

**Or scan the QR Code.**



**4726 Highpoint Drive  
Gibsonia, PA 15044**

+1 724-967-5337 | [customercare@abramsnation.com](mailto:customercare@abramsnation.com) | [safetysleeper.com](http://safetysleeper.com)