

# NOTICE PIÈCES DE RECHANGE CATALOGUE OF SPARE PARTS

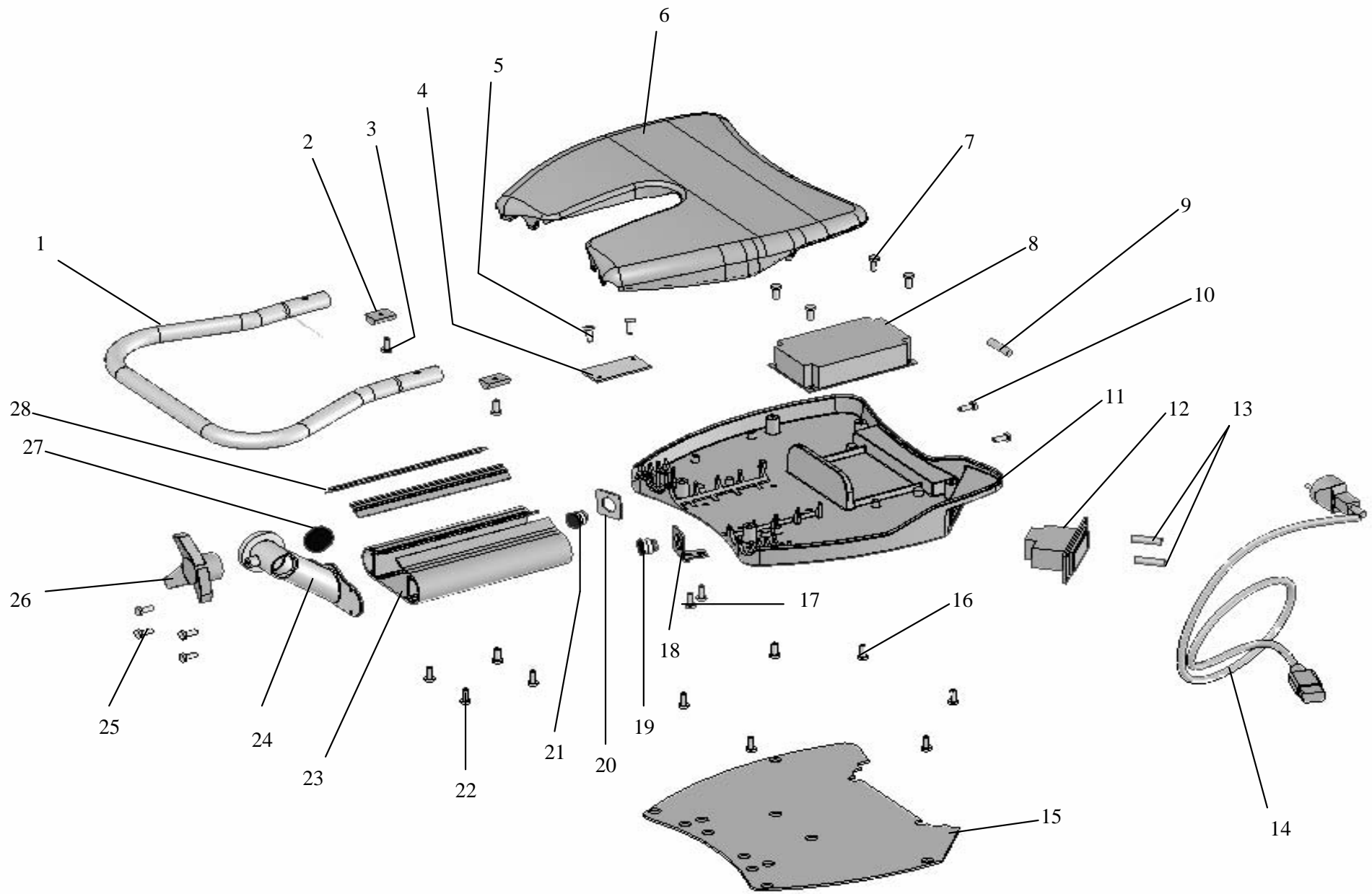
## BREVA S1



**APPAREIL DE MOBILISATION ARTICULAIRE PASSIVE DE LA CHEVILLE**  
*ANKLE CONTINUOUS PASSIVE MOTION DEVICE*

Notice N° 467896288  
Mise à jour le 01/07/04

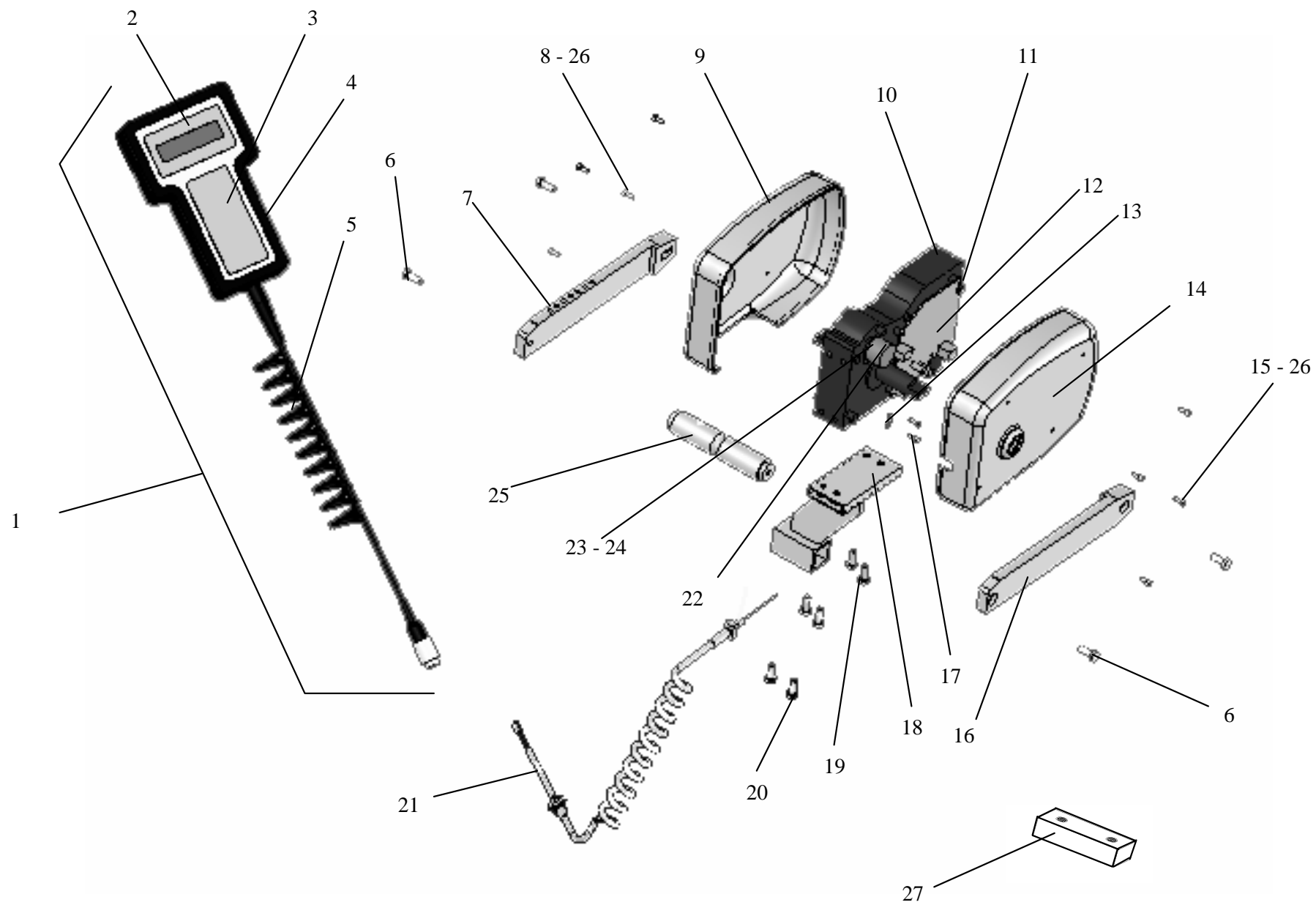
**Kinetec se réserve le droit de toutes modifications techniques.**  
*Kinetec reserves the right to effect technical modifications.*



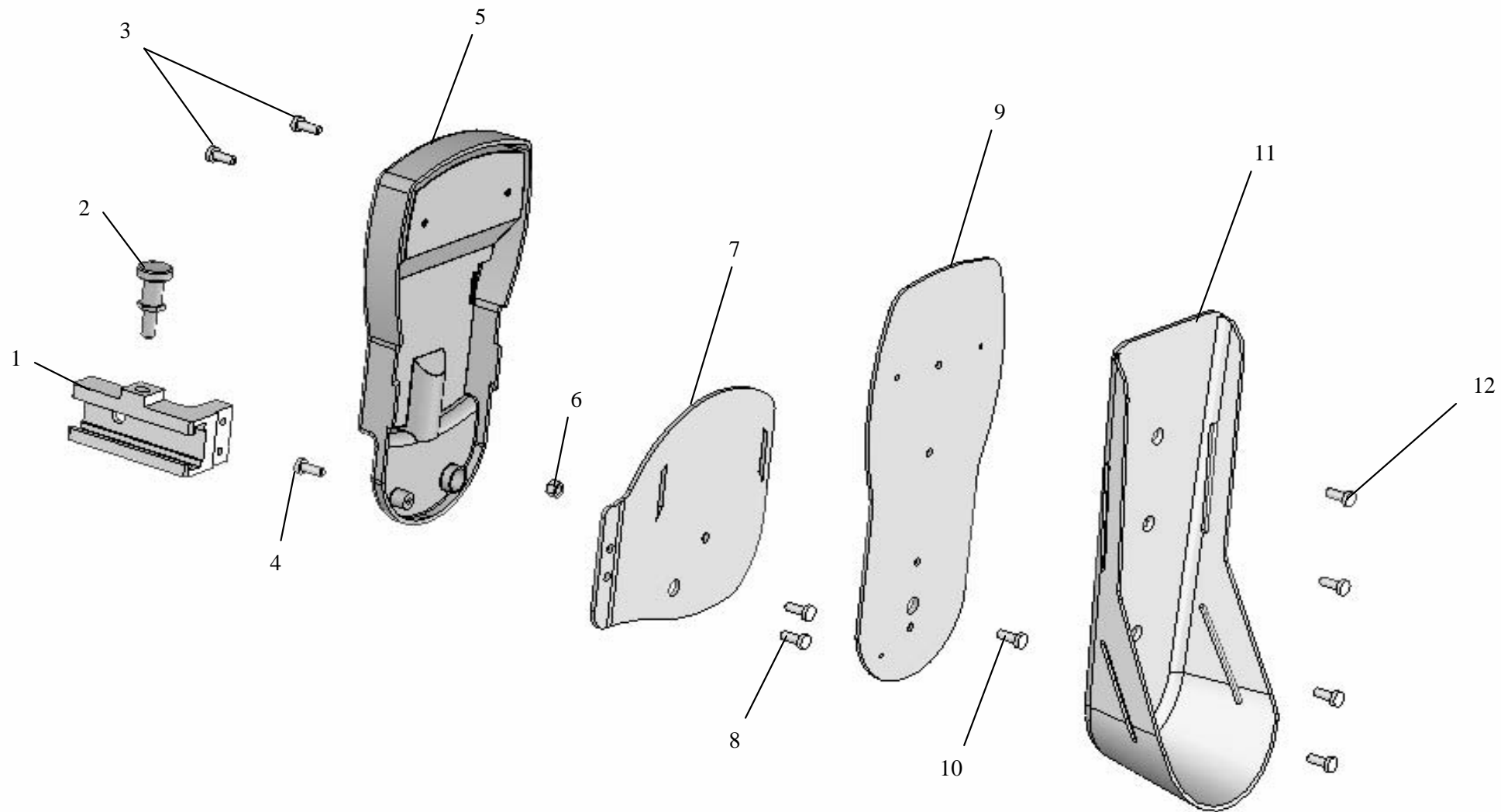
N°	REFERENCE	Q.	DESIGNATION	DESIGNATION	MATER.
1	4670022513	1	POIGNEE LARGE	LARGE HANDLE	STEEL / FOAM PE
2	4670022761	2	ECROU DEMI ROND M5	NUT M5	STAINLESS STEEL
3	4620003315	2	VIS BHC M5x20	SCREW BHC M5x20	STAINLESS STEEL
4	4610008143	1	CARTE DE DISTRIBUTION	DISTRIBUTION CARD	ELECT.COMP
5	4620002870	2	VIS B CRUCI M3x5	SCREW B CRUCI M3x5	STAINLESS STEEL
6	4635009100	1	CARTER SUPERIEUR	HIGHER CASING	A.B.S.
7	4620002870	4	VIS B CRUCI M3x5	SCREW B CRUCI M3x5	STAINLESS STEEL
8	4610007997	1	CARTE ALIMENTATION 260-90 VOLTS	SUPPLY BOARD	ELECT.COMP
9	4610007468	1	FUSIBLE DE CARTE ALIMENTATION	FUSE OF SUPPLY BOARD	ELECT.COMP
10	4620003282	2	VIS AUTO PERCEUSE TH 4,8x16	SCREW AUTO DRILL TH 4,8x16	STAINLESS STEEL
11	4670022662	1	CARTER INFERIEUR ARRIERE	BACK LOWER CASING	ALUMINIUM
12	4670022498	1	EMBASE SECTEUR CABLEE	SUPPLY SOCKET	ELECT.COMP
13	4610007434	2	FUSIBLE 6.3x32mm T 750mA	FUSE T 750mA 250V 6.3x32mm	ELECT.COMP
14	4610006626	1	CORDON SECTEUR VDE 3.5m	CABLE TO THE MAIN VDE	P.U.R.
	4610006634	1	CORDON SECTEUR 4m UL	CABLE TO THE MAIN UL	P.U.R.
	4610007161	1	CORDON SECTEUR AUSTRALIE	CABLE TO THE MAIN AUSTRALIA	P.U.R.
	4610007400	1	CORDON SECTEUR U.K.	CABLE TO THE MAIN U.K.	P.U.R.
15	4635008558	1	ANTIDERAPPANT ARRIERE	BACK ANTI SLIDING	POLYETHYLENE
16	4620003258	6	VIS ECO SYN 3,5x16	SCREW ECO SYN 3,5x16	STAINLESS STEEL
17	4620003117	2	VIS BHC M4x10	SCREW BHC M4x10	STAINLESS STEEL
18	4670022521	1	SUPPORT EMBASE PLIE	FOLDED CONNECTOR SUPPORT	ACIER / STEEL
19	4610008193	1	FAISCEAU EMBASE CARTE DISTRIB	WIRING DISTRIBUTION CARD	ELECT.COMP
20	4635008532	1	SUPPORT EMBASE	CONNECTOR SUPPORT	ACIER / STEEL
21	4610007971	1	FAISCEAU EMBASE	WIRING DISTRIBUTION CARD	ELECT.COMP
22	4620000725	4	VIS BHC M5x10	SCREW BHC M5x10	STAINLESS STEEL
23	4670022737	1	PROFIL ALUMINIUM	ALUMINIUM PROFIL	ALUMINIUM
24	4670022539	1	BRAS INCLINE	INCLINES ARM	ACIER / STEEL
25	4620003349	4	VIS AUTO PERCEUSE TH 4,8x25	SCREW AUTO DRILL TH 4,8x25	STAINLESS STEEL
26	4670023206	1	BOUTON 3 BRANCHES M8	LOCKING KNOB 3 BRANCHES M8	P.O.M.
27	4637000106	1	EMBOUT NOIR	BLACK CAPS	P.O.M.
28	4670022795	2	GALLON NOIR	BLACK GASKET	P.V.C.



<b>N°</b>	<b>REFERENCE</b>	<b>Q.</b>	<b>DESIGNATION</b>	<b>DESIGNATION</b>	<b>MATER.</b>
1	4637000180	1	EMBOUT CARRE NOIR	<i>BLACK SQUARE CAPS</i>	POLYETHYLENE
2	4670022597	1	BRAS SUPPORT MOTEUR V2	<i>SUPPORT MOTEUR HANDLING V2</i>	ACIER / STEEL
3	4637000106	3	EMBOUT NOIR	<i>BLACK CAPS</i>	POLYETHYLENE
4	4670019619	1	BOUTON SERRAGE M8	<i>BUTTON M8</i>	P.O.M.
5	4620003076	1	VIS POELIER M8x16	<i>SCREW M8x16</i>	STAINLESS STEEL
6	4630000343	1	RONDELLE PLATE 8x18x2	<i>WASHER 8x18x2</i>	ZING
7	4670022589	1	SUPPORT GOUTTIERE TIBIA SUP. V2	<i>CALF SUPPORT SUP. V2</i>	ACIER / STEEL
8	4635003780	1	SUPPORT MOLLET	<i>CALF SUPPORT</i>	POLYETHYLENE
9	4620001179	2	VIS TFH M6x10	<i>SCREW TFH M6x10</i>	STAINLESS STEEL
10	4670022571	1	SUPPORT GOUTTIERE TIBIA INF. V2	<i>CALF SUPPORT INF. V2</i>	ACIER / STEEL
11	4620001765	1	ECROU INDESSERABLE M8	<i>BLOCKNUT M8</i>	STAINLESS STEEL
12	4625000697	1	BOUTON MALE NOIR M6x15	<i>BLACK MALE BUTTON M6x15</i>	P.O.M.
13	4637000461	1	MANCHON NOIR	<i>PROTECT HANDLE</i>	PVC
14	4670022563	1	COULISSE SUPPORT V2	<i>SUPPORT SLIDING</i>	ACIER / STEEL
15	4637000601	1	EMBOUT NOIR	<i>BLACK CAPS</i>	POLYETHYLENE
16	4670022753	1	AXE DE COULISSE SUPPORT V3	<i>AXIS OF SLIDE SUPPORT V3</i>	ACIER / STEEL
17	4635009168	1	FOURREAU DE COULISSE	<i>SHEATH SLIDING</i>	ACIER / STEEL
18	4670022555	1	BOUTON SERRAGE M8	<i>SPECIAL BUTTON M8</i>	P.O.M.
19	4670022547	1	SUPPORT V2	<i>SUPPORT V2</i>	ACIER / STEEL

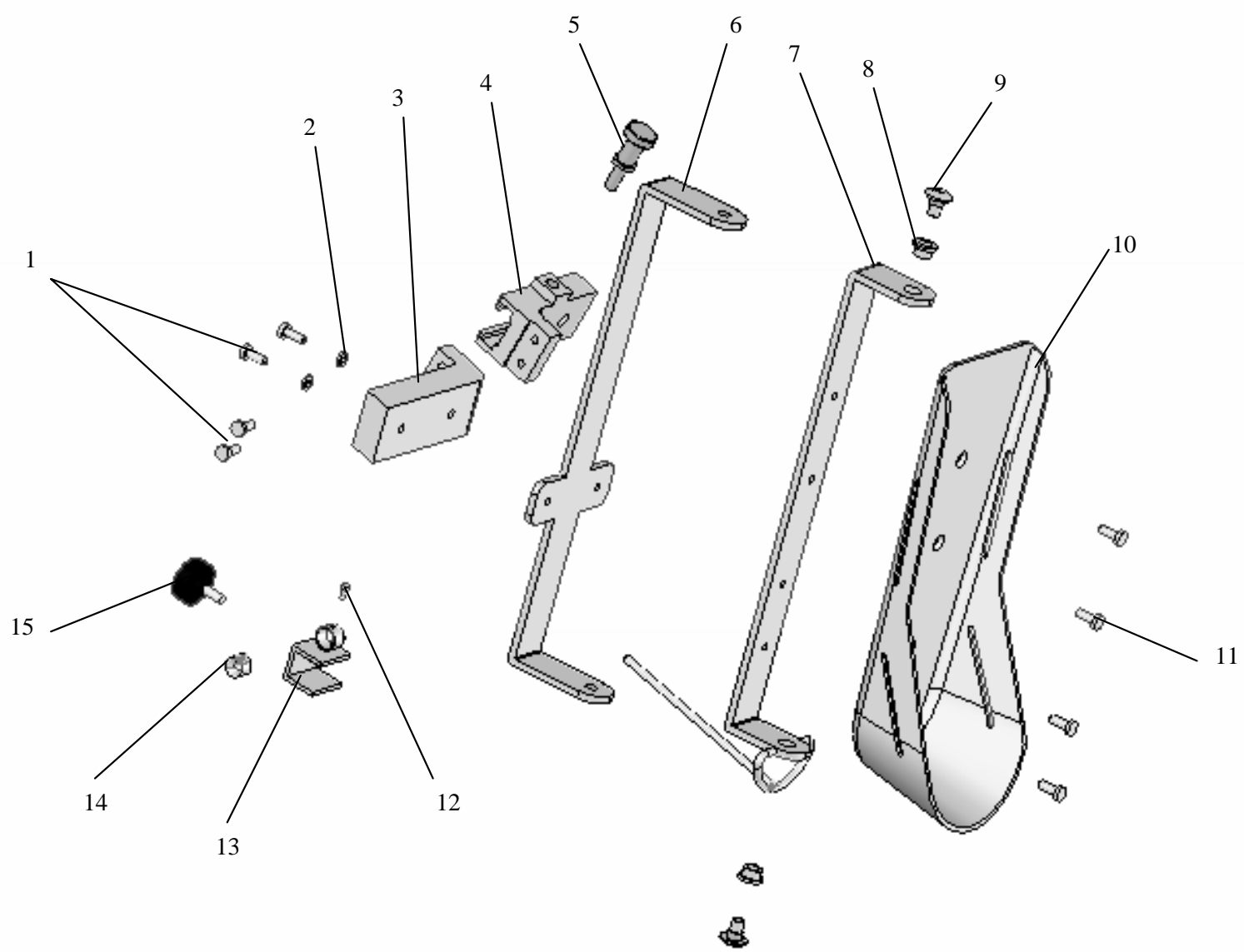


N°	REFERENCE	Q.	DESIGNATION	DESIGNATION	MATER.
1	4610008151	1	POIGNEE DE COMMANDE COMPLETE	HAND CONTROL ASSY	ELECT.COMP
2	4615003205	1	CLAVIER D'AFFICHEUR	SCREEN KEYPAD	POLYESTER
3	4615002653	1	CLAVIER	KEYPAD	POLYESTER
4	4635007609	1	PROTECTION DE POIGNEE DE COMMANDE	PROTECTION HAND CONTROL	P.U.R.
5	4610007921	1	CORDON DE POIGNEE DE COMMANDE	CABLE OF HAND CONTROL	P.U.R.
6	4620001202	4	VIS FHC M6x16	SCREW FHC M6x16	STAINLESS STEEL
7	4670022670	1	BRAS PERCE	ARM BORED	ALUMINIUM
8	4620002317	4	VIS BHC M3x6	SCREW BHC M3x6	STAINLESS STEEL
9	4635007831	1	CARTER MOTEUR GAUCHE	LEFT MOTOR CASING	A.B.S.
10	4610008127	1	BLOC MOTOREDUCTEUR	GEAR MOTOR	STEEL / ALUM.
11	4620002870	4	VIS B CRUCI M3x5	SCREW B CRUCI M3x5	STAINLESS STEEL
12	4610008135	1	CARTE MOTEUR	MOTOR PCB	ELECT.COMP
13	4610003094	1	SERRE CABLE	TIGHTEN CABLE	STAINLESS STEEL
14	4635007823	1	CARTER MOTEUR DROIT	RIGHT MOTOR CASING	A.B.S.
15	4620003216	4	VIS BHC M3x30	SCREW BHC M3x30	STAINLESS STEEL
16	4670022688	1	BRAS	ARM	ALUMINIUM
17	4620000494	2	VIS TCLF 2,5x5	SCREW TCFL 2,5x5	STAINLESS STEEL
18	4670022604	1	SUPPORT MOTEUR	MOTOR SUPPORT	ACIER / STEEL
19	4620000915	4	VIS CHC M5x10	SCREW CHC M5x10	STAINLESS STEEL
20	4620000931	2	VIS CHC HM5x16	SCREW CHC HM5x16	STAINLESS STEEL
21	4610007616	1	CABLE SPIRALE	SPIRAL CABLE	P.U.R.
22	4610004539	1	POTENTIOMETRE DE COPIE 10K	COPY POTENTIOMETER	ELECT.COMP
23	4635000661	3	BRIDE DE SERRAGE	POTENTIOMETER FLANGE	STAINLESS STEEL
24	4620000494	3	VIS TCLF 2,5x5	SCREW TCLF 2,5x5	ZING
25	4670018950	1	POIGNEE MOTEUR	HANDLE	PVC
26	4630000682	8	RONDELLE PLATE	WASHER	STAINLESS STEEL
27	4670022745	1	ECROU 2M5	NUTS 2 M5	STEEL

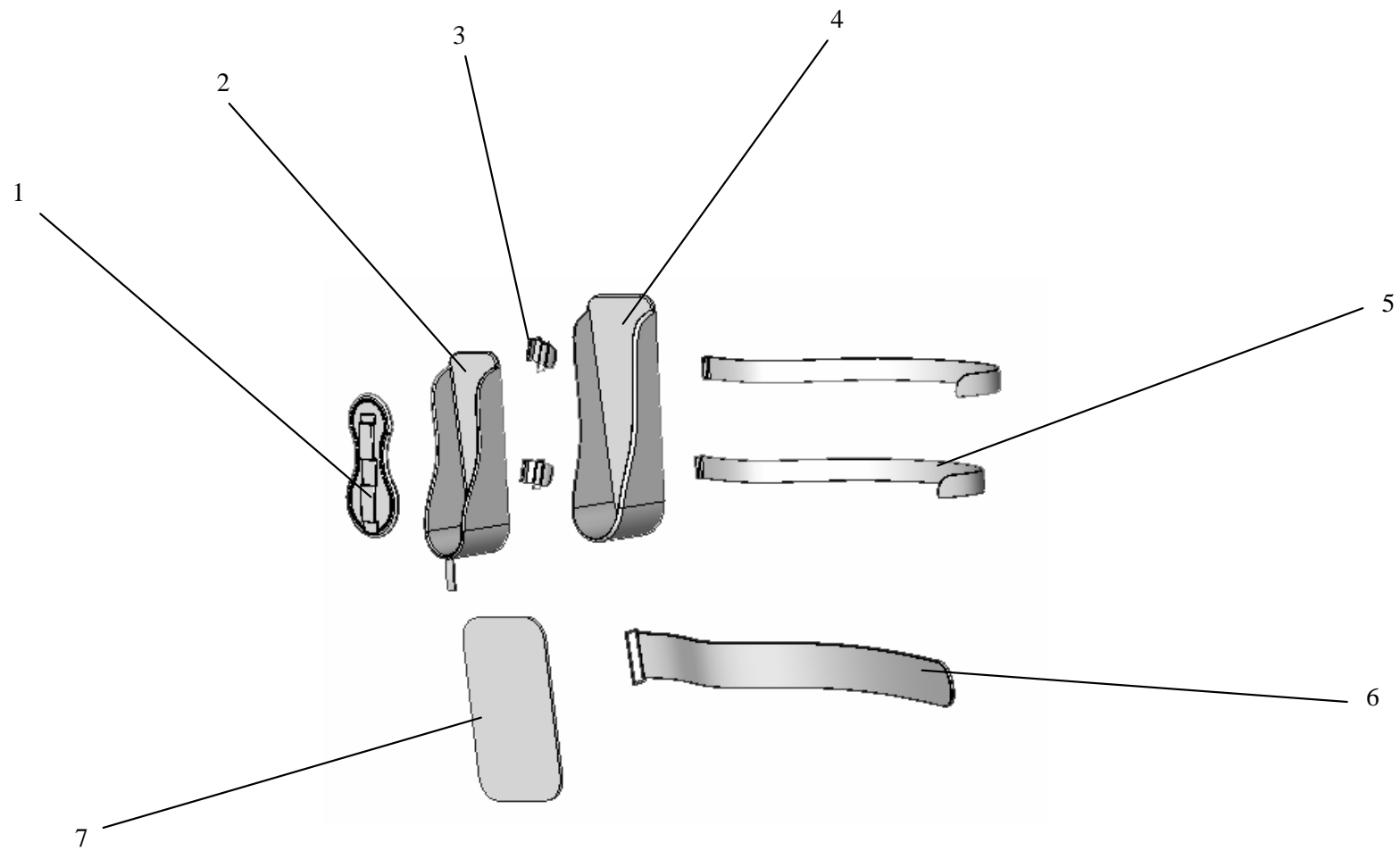




<b>N°</b>	<b>REFERENCE</b>	<b>Q.</b>	<b>DESIGNATION</b>	<b>DESIGNATION</b>	<b>MATER.</b>
1	4670022703	1	CURSEUR (PLANTAIRE/DORSAL)	<i>CURSOR (PLANTAR/DORSAL)</i>	ALUMINIUM
2	4625000704	1	BOUTON INDEXEUR 617-5	<i>BUTTON INDEXER 617-5</i>	ACIER/STEEL
3	4620000361	2	VIS F CRUCI M4x6	<i>SCREW F CRUCI M4x6</i>	STAINLESS STEEL
4	4620002218	1	VIS B CRUCI M4x6	<i>SCREW B CRUCI M4x6</i>	STAINLESS STEEL
5	4635008491	1	SUPPORT POIGNEE DE COMMANDE	<i>HAND CONTROL SUPPORT</i>	A.B.S
6	4620001707	1	ECROU FREIN M6	<i>LOCKNUT M6</i>	STAINLESS STEEL
7	4670022696	1	SUPPORT PLANCHETTE	<i>FOOT SUPPORT</i>	ACIER/STEEL
8	4620002325	2	VIS BHC M6x12	<i>SCREW BHC M6x12</i>	STAINLESS STEEL
9	4670022612	1	PLANCHETTE	<i>FOOT PLATE</i>	ALUMINIUM
10	4620002391	1	VIS F CRUCI HM6x12	<i>SCREW F CRUCI HM6x12</i>	STAINLESS STEEL
11	4635009217	1	SUPPORT PIED PLASTIQUE	<i>PLASTIC FOOT SUPPORT</i>	POLYETHYLENE
12	4620003357	4	VIS F CRUCI M6x8	<i>SCREW F CRUCI M6x8</i>	STAINLESS STEEL



<b>N°</b>	<b>REFERENCE</b>	<b>Q.</b>	<b>DESIGNATION</b>	<b>DESIGNATION</b>	<b>MATER.</b>
1	4620002333	4	VIS BHC M6x25	<i>SCREW BHC M6x25</i>	STAINLESS STEEL
2	4630000260	4	RONDELLE 6,2x12x1,2	<i>WASHER 6,2x12x1,2</i>	STAINLESS STEEL
3	4670022729	1	SUPPORT PLANCHETTE INVER./EVER.	<i>FOOT SUPPORT</i>	ACIER/STEEL
4	4670022711	1	CURSEUR INVERSION/EVERSION	<i>CURSOR INVERSION/EVERSION</i>	ALUMINIUM
5	4625000704	1	BOUTON INDEXEUR 617-5	<i>INEXER BUTTON 617-5</i>	ACIER/STEEL
6	4670022620	1	AXE INVERSION/EVERSION	<i>AXIS INVERSION/EVERSION</i>	ACIER/STEEL
7	4670022638	1	ENSEMBLE INVER./EVER. SOUDE	<i>INVER./EVER. BIND</i>	ACIER/STEEL
8	4635000702	2	PALIER BP25 8x12x8	<i>LEVEL BP25 8x12x8</i>	BRONZE
9	4670022646	2	AXE M10	<i>AXIS M10</i>	STAINLESS STEEL
10	4635009217	1	SUPPORT DE PIED PLASTIQUE	<i>PLASTIC FOOT SUPPORT</i>	POLYETHYLENE
11	4620003357	4	VIS F CRUCI M6x8	<i>SCREW F CRUCI M6x8</i>	STAINLESS STEEL
12	4620002995	1	VIS B CRUCI M3x4	<i>SCREW B CRUCI M3x4</i>	STAINLESS STEEL
13	4670022654	1	WISEUR	<i>SIGHT</i>	ACIER/STEEL
14	4635009259	1	POINTEUR	<i>POINTER</i>	ERTALYTE TX
15	4625000697	1	BOUTON MALE NOIR M6x15	<i>BLACK MALE BUTTON M6x15</i>	P.O.M.



<b>N°</b>	<b>REFERENCE</b>	<b>Q.</b>	<b>DESIGNATION</b>	<b>DESIGNATION</b>	<b>MATER.</b>
1	4650001644	1	PROTECTION VOUTE DORSAL	<i>FOOT PROTECTOR</i>	TEXTILE
2	4650001686	1	PETIT CHAUSSON	<i>SMALL FOOT PADS</i>	TEXTILE
3	4650001660	2	SANGLE A PASSANT	<i>STRAP LOOP</i>	PE
4	4650001636	1	CHAUSSON	<i>FOOT PADS</i>	TEXTILE
5	4650001652	2	SANGLE LARGE D'APPUI PIED	<i>STRAP SUPPORT FOOT</i>	PE
6	4650001694	1	SANGLE DE MOLET	<i>CALF STRAP</i>	PE
7	4650000753	1	MANCHON DE MOLLET	<i>CALF PADS</i>	TEXTILE