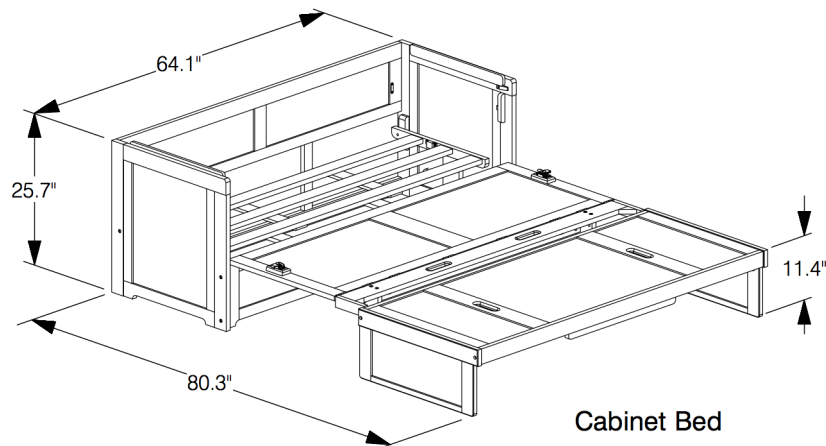


Cabinet



Cabinet Bed

Murphy Cube 2 Cabinet Bed

| | Box H | Box W | Box L | Cubes | Net Wt. | Gr. Wt. |
|---------------|-------|-------|--------|-----------|---------|---------|
| MUR-CUB2-QEN- | 245mm | 730mm | 1685mm | 0.301m3 | 52.0Kg | 58.0Kg |
| | 9.6" | 28.7" | 66.3" | 10.64cuft | 114.6lb | 127.9lb |

Assembled Product and Carton Dimensions*

**Please Note The Above Weights and Measures may be subject to change without notice.*



Night & Day Furniture
www.nightanddayfurniture.com

SPICES BEDROOM COLLECTION

C u b e 2

Murphy Cabinet Bed