



# assembly line

DESIGN CENTER





# assembly line

DESIGN CENTER

## Brass Gemma Sconce, Small with Mud-ring

### Technical Specifications

Materials	Brass
Product weight	1.5 lbs
Lead time	6 weeks
Bulbs included (1)	G9 / 120 V / 4.5 W / 450 lm 2700 K / dimmable
Dimmer	TRIAC
Max wattage	10 W
Certifications	UL listed, damp-rated, wet-rated



### Notes

1. This fixture can be installed indoor or outdoor.
2. This fixture has two mounting options available: backplate or mud ring.
3. The mud ring mounting option creates a trimless installation over a standard junction box. Please note a professional drywall finisher will be required. See installation instructions for details.
4. If planning to install outdoor, consult a professional contractor to ensure a mud-ring installation is the appropriate application for building material type.
5. If installing fixture outdoor in wet location, install with the shade facing downward, or the shade will collect water. If installing indoor, you can install light fixture with shade facing in the up or down direction.

Updated July 20, 2023

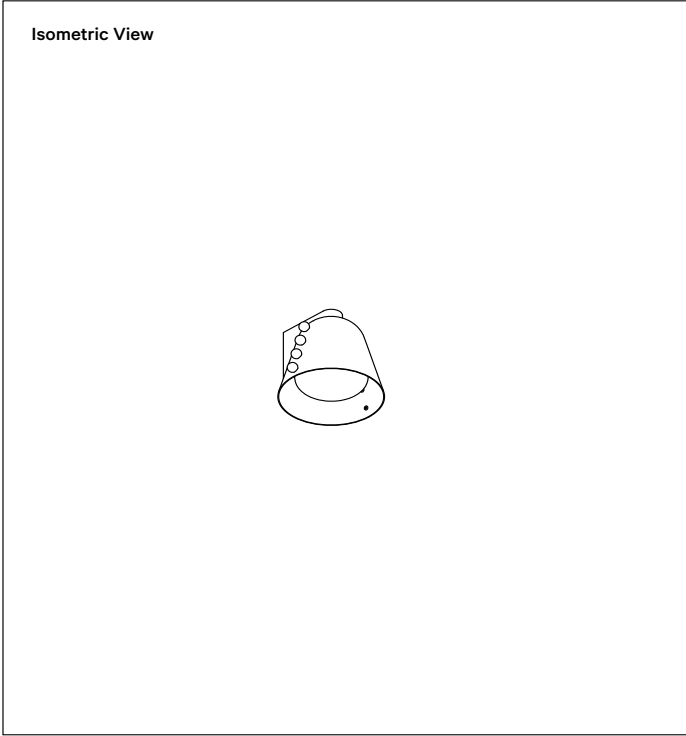
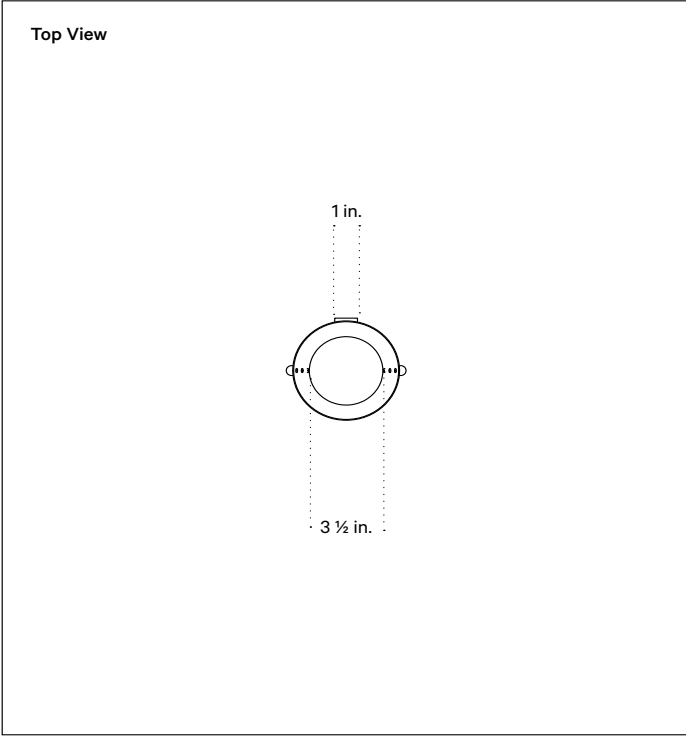
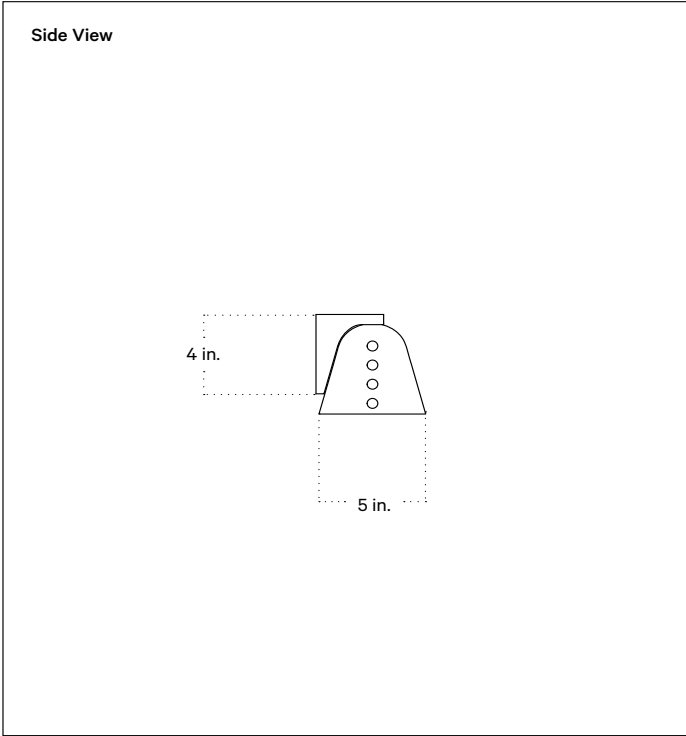
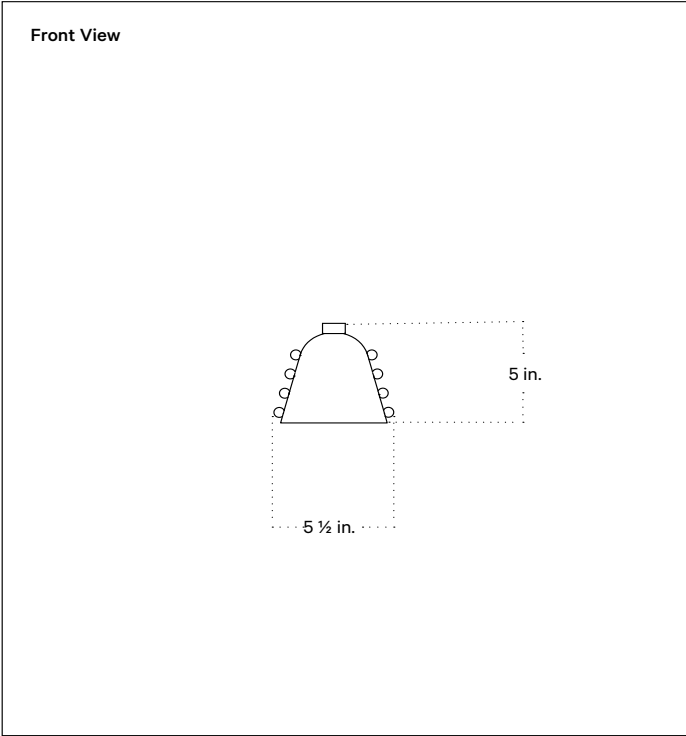


# assembly line

DESIGN CENTER

## Technical Drawings

## Brass Gemma Sconce, Small with Mud-ring





# assembly line

DESIGN CENTER



## Brass Gemma Sconce, Small with Backplate

### Technical Specifications

Materials	Brass
Product weight	1.5 lbs
Lead time	6 weeks
Bulbs included (1)	G9 / 120 V / 4.5 W / 450 lm 2700 K / dimmable
Dimmer	TRIAC
Max wattage	10 W
Certifications	UL listed, damp-rated, wet-rated



### Notes

#### Notes

1. This fixture can be installed indoor or outdoor.
2. This fixture has two mounting options available: backplate or mud ring.
3. The mud ring mounting option creates a trimless installation over a standard junction box. Please note a professional drywall finisher will be required. See installation instructions for details.
4. If planning to install outdoor, consult a professional contractor to ensure a mud-ring installation is the appropriate application for building material type.
5. If installing fixture outdoor in wet location, install with the shade facing downward, or the shade will collect water. If installing indoor, you can install light fixture with shade facing in the up or down direction.

Updated July 20, 2023



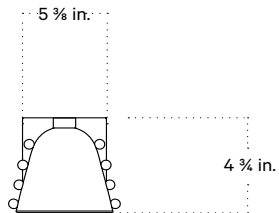
# assembly line

DESIGN CENTER

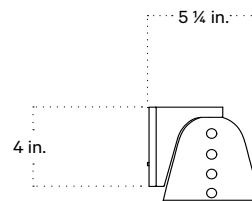
## Technical Drawings

## Brass Gemma Sconce, Small with Backplate

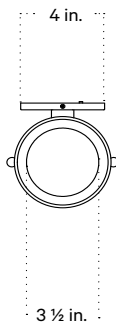
Front View



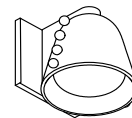
Side View



Top View



Isometric View





# assembly line

DESIGN CENTER

## Finish Options

---

### Brass



Brass



Patina Brass



Blackened Brass



Pewter