

# TLV400S

**MPEG-2/4/H.264 HD Decoder and Frequency Agile Satellite Receiver That Demodulates All Satellite Frequencies and Decodes Both H.264 and MPEG-2 Video Formats to SMPTE 292 (HD-SDI) or YPrPb. Supports AES-3 id Audio as well as AC-3 Audio.**



## Features

- Input: DVB-S+S2, DVB-ASI
- Output: Composite, HD-SDI, DVB-ASI, MPEG or AC-3 audio
- Signal from 75 ohm BNC connector
- May choose digital stream from on-air terrestrial and DVB-ASI and SMPTE-310M signal
- Selected digital stream is supplied in DVB-ASI and SMPTE-310M format signal
- H.264 (MPEG-4)/MPEG-2 MP@HL compliant video decoder supplies digital and analog video signal
- Digital video signal compliant with SMPTE-259M/SMPTE-292M (SDI) with embedded 8 channel audio (SMPTE-299M)
- Dolby Digital AC-3 and MPEG-1/2 5.1 channel audio decoder
- Dolby Digital (AC-3) or PCM stereo audio selectable over XLR connector with included cable
- Dolby Prologic Compatible stereo audio output on two terminal block connectors with XLR cable
- RGB video signal with 1080i/720p/576p/ 576i (480i) video mode
- 2 Lines by 40 characters LCD display
- PSIP/EIA-608, 708 closed caption compliant
- 1RU rack mountable frame
- Firmware upgradeable via Internet or USB
- USB 2.0 Support
- SNMP (10/100 Ethernet) management support

## Applications

- Off air satellite receiver
- MPEG-2/4/H.264 HD Decoder
- HD-SDI file playback
- Content repurposing

## Overview

The **TLV400S** Professional HDTV new generation frequency agile receiver demodulates all satellite DVB/ATSC H.264/MPEG-2 HDTV frequencies and supplies crystal clear digital or analog video from all formats used by Broadcast Professionals in Europe, USA, Canada, Mexico, Brazil and Korea. It not only functions as a dual input broadcast demodulator but also works well as a professional H.264/MPEG-2 decoder.

The output of the demodulator is available on either DVB ASI or SMPTE 310M connectors. With its DVB-ASI inputs it is able to decode transport streams up to 40 mbps. Designed to support all the industry standard forms of the DVB/ATSC standard, it supports 576i/480i, 576p/480p, 720p and 1080i decoding. Supported video outputs include both digital and analog formats with HD-SDI with embedded audio, SDI, YPrPb, RGB, and composite. Audio support is via embedded audio or via L/R 5 channel terminal blocks, and two cables are supplied.



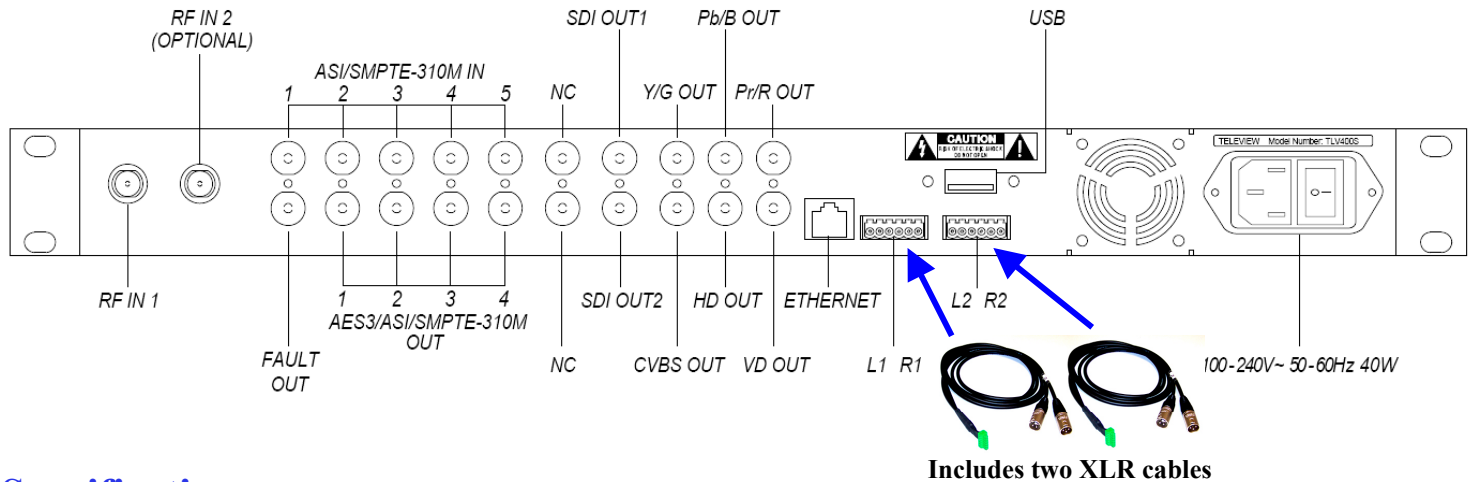
11409 West Bernardo Court  
San Diego, CA 92127

Tel: (858) 613-1818 Fax: (858) 613-1815

[www.dveo.com](http://www.dveo.com)

# TLV400S

## Rear View



## Specifications

<b>Front Display/Keys</b>	
	2 lines by 40 characters LCD
	18 keys for Easy Control
	LOCK, ENTER, EXIT, ARROW, and Numeric Keys
<b>DVB-S2/S RF Input</b>	
Channel:	9950-2150 MHz RF Selectable
Connector:	2 x 75 Ohm BNC-type Connector (DVB-T/8VSB Option available)
Symbol Rate:	DVB-S2 (8PSK/QPSK): 10 ~ 30 Msps DVB-S (QPSK): 2 ~ 45 Msps
<b>TS Input</b>	
Format:	SMPTE 310M or DVB-ASI (Select ASI or 310M at front panel)
Connector:	75 ohm BNC
<b>TS Output</b>	
Format:	SMPTE 310M or DVB-ASI
Connector:	75 ohm BNC
<b>AES3-id Digital Audio Output</b>	
Signal:	AES-3-id (Select at front panel)
Connector:	75 ohm BNC
<b>Component Video Output</b>	
Formats:	1080i/720p/576p/480p/576i/480i
Connector:	BNC connector YPbPr/RGB Selectable

<b>Composite Video Output</b>	
Signal:	NTSC/PAL
Connector:	75 ohm BNC
<b>First Audio Output</b>	
Connector:	Terminal block L, R – Ships with XLR cable
<b>2nd Audio Output</b>	
Connector:	Terminal block L, R – Ships with XLR cable
<b>Digital Video Output (SDI)</b>	SMPTE299M/SMPTE292M with embedded audio
<b>Ethernet</b>	10/100 BT on RJ45
<b>USB 2</b>	Connector: Type “A”
<b>Fault</b>	Relay contact on signal loss
<b>Network Management</b>	NMS supported through SNMP
<b>CPU and RAM</b>	MIPS 300 MHz 32 bit RISC
<b>Unit:</b>	1 RU 19-inch rackmountable
<b>Operating Temperature</b>	+0 ~ +45°C (32 to 113°F)
<b>Operating Temperature</b>	-20 ~ +50°C (-4 to 122°F)
<b>Operating Humidity</b>	20 to 80%
<b>Power Supply</b>	AC 100-240V ~ 50-60 Hz 50W Max
<b>Dimensions</b>	HxWxL: 1.7 x 19 x 13.6 inches (4.3 x 48.26 x 34.55 cm)
<b>Weight</b>	6 lbs. (2.72 kg)

## Ordering Info

TLV400S (Ships with two XLR audio cables)  
DVB-T/8VSB Option – TLV400S with DVB-T/8VSB connector



11409 West Bernardo Court  
San Diego, CA 92127

Tel: (858) 613-1818 Fax: (858) 613-1815

[www.dveo.com](http://www.dveo.com)