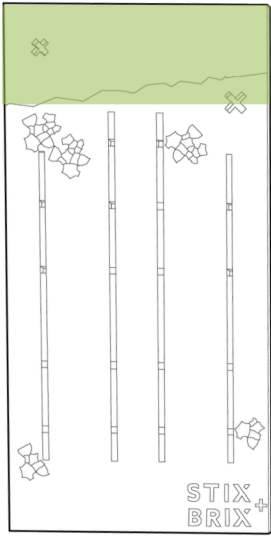


EVERGREEN

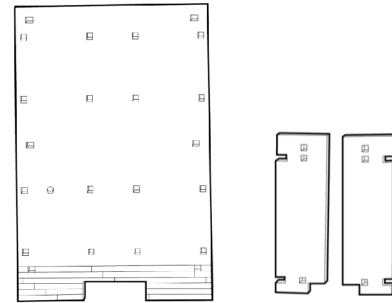


START HERE

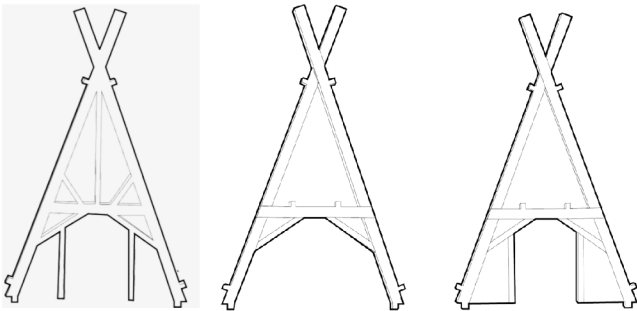
MATERIALS + TOOLS



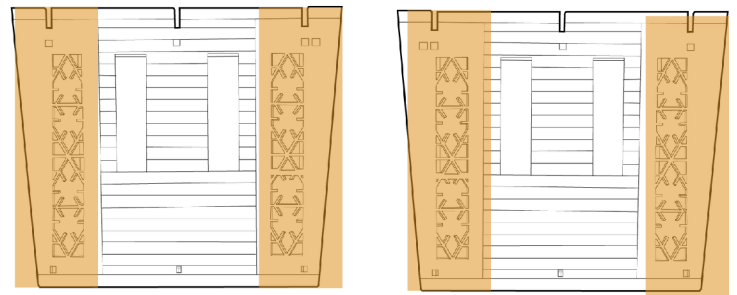
BASE + RAILS



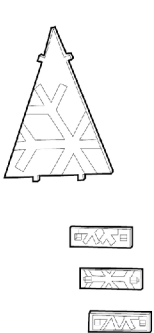
FLOOR + LOFT PIECES



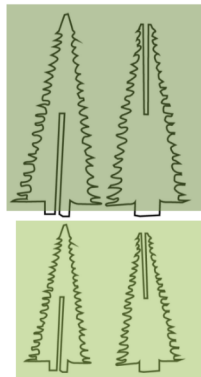
TRUSSES



ROOF PANELS



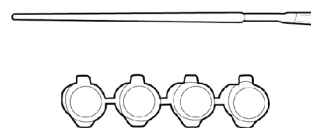
ACRYLIC PIECES



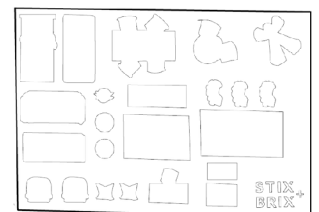
TREES



STAIRS

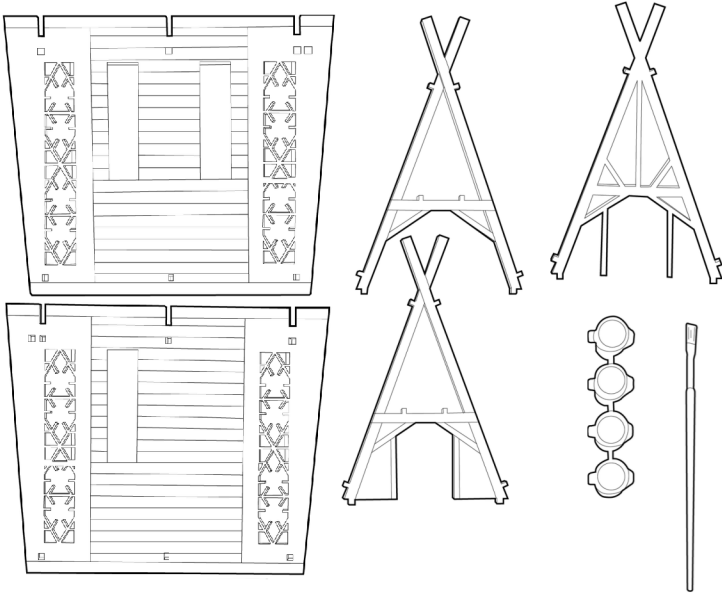


PAINT BRUSH + PAINT



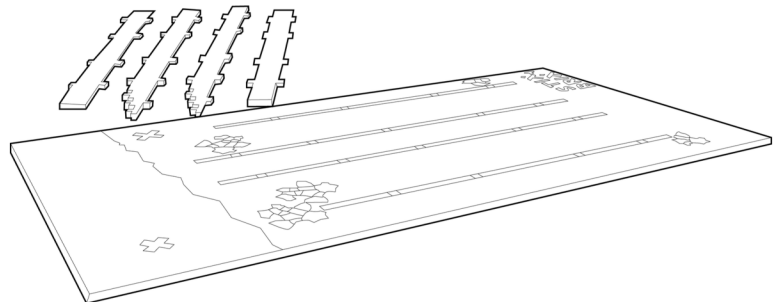
STICKERS

1



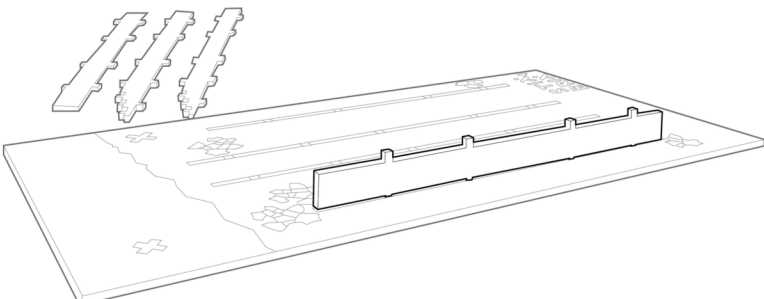
PAINT THE WOOD PIECES YOU WOULD LIKE.
LET ALL THE PIECES DRY.

2



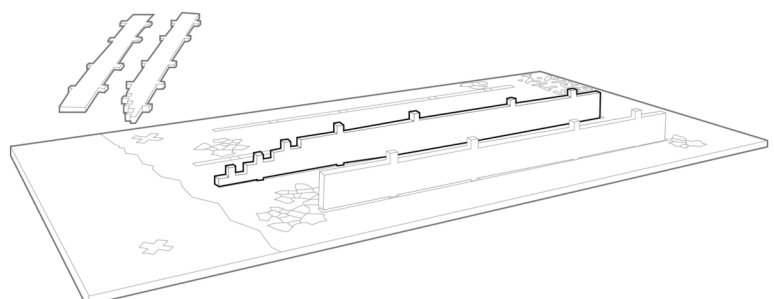
GATHER 4 RAILS AND THE BASE.

3



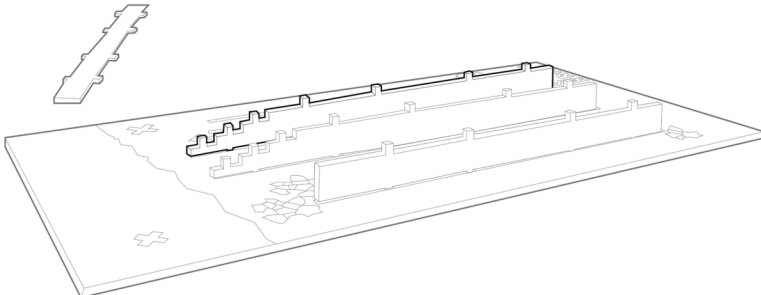
LOCK-IN THE FIRST RAIL INTO THE BASE.

4



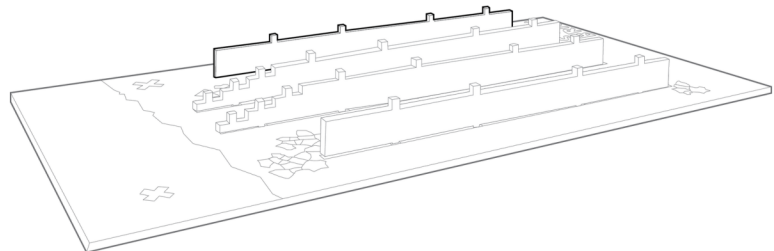
LOCK-IN THE SECOND RAIL INTO THE BASE.

5



LOCK-IN THE THIRD RAIL INTO THE BASE.

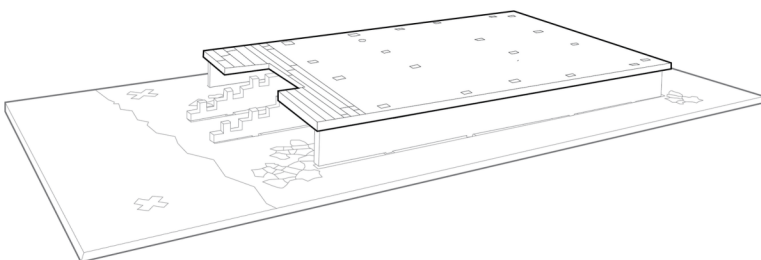
6



LOCK-IN THE LAST RAIL INTO THE BASE.

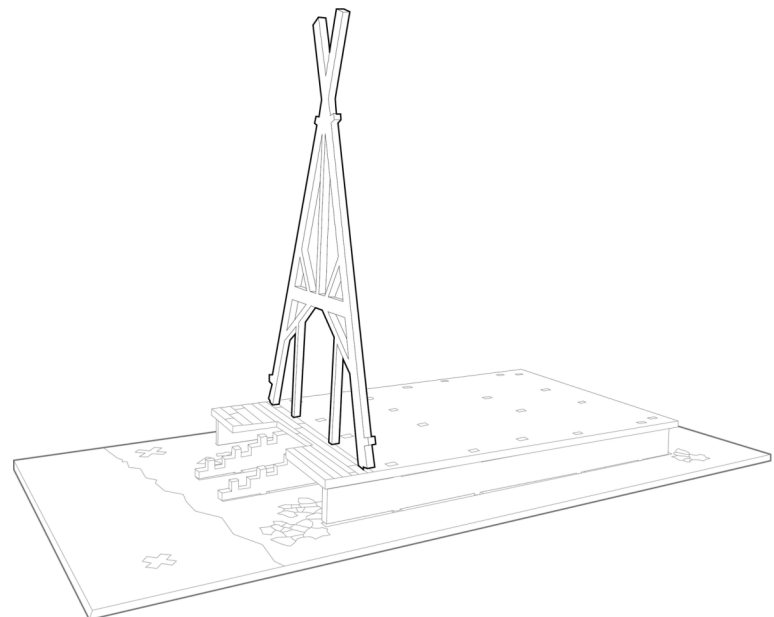
7

+ Be sure that all the connections are made before moving on to next step. Medium pressure / force can be used to engage all the tabs.



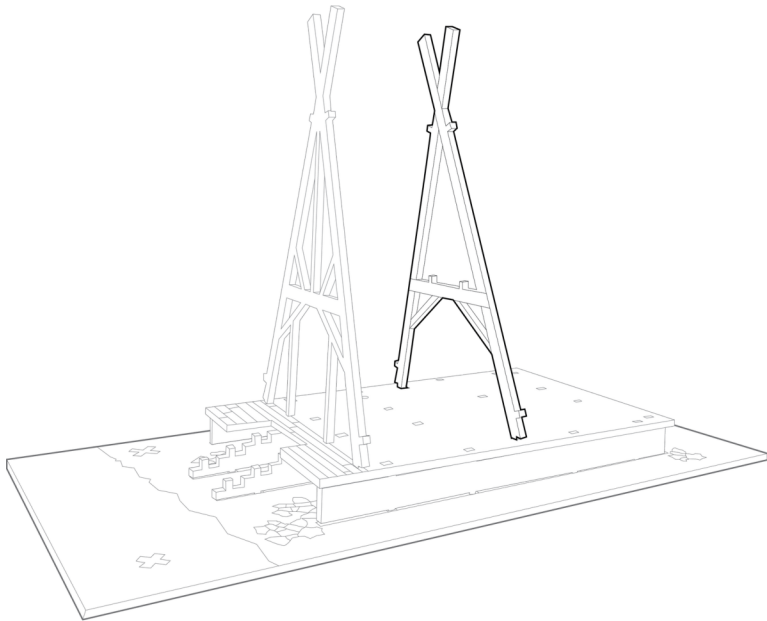
LOCK-IN THE FLOOR ONTO THE TOP OF THE RAILS

8



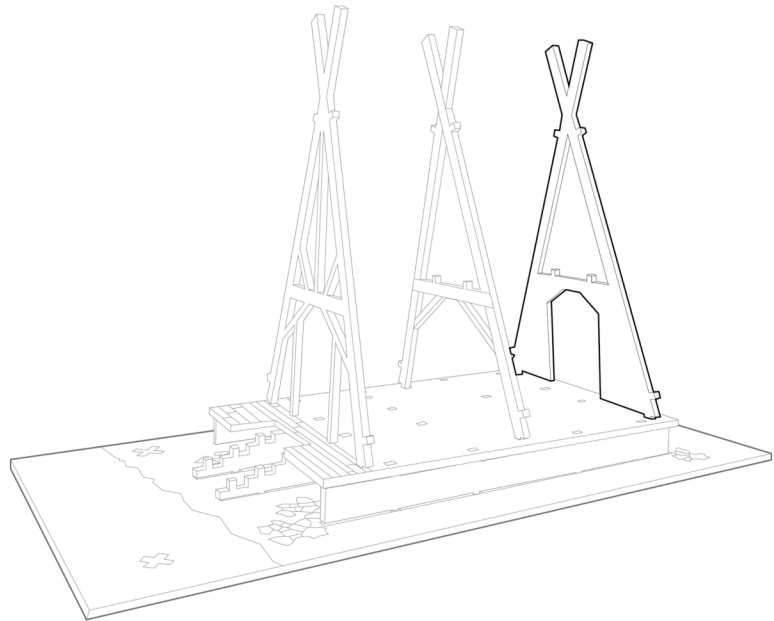
LOCK-IN THE FRONT TRUSS AT THE FRONT OF THE FLOOR

9



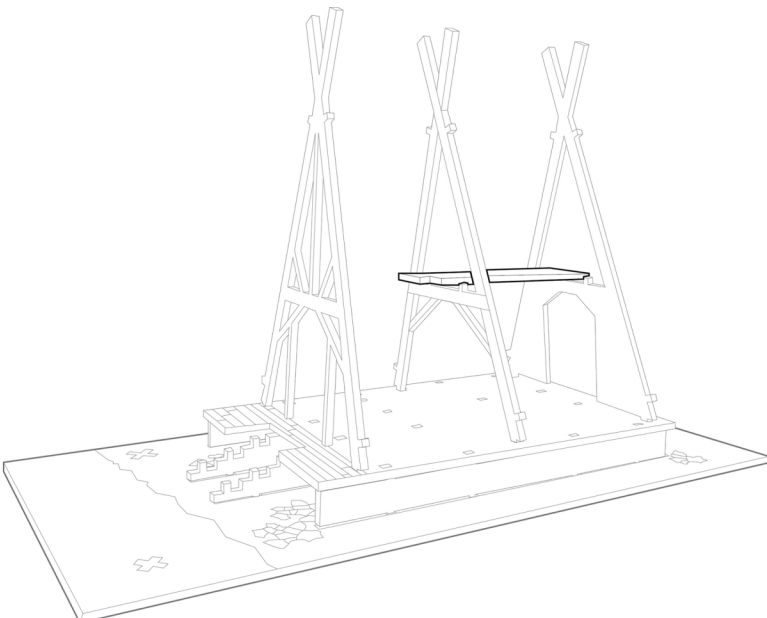
LOCK-IN THE INSIDE TRUSS IN THE MIDDLE OF THE FLOOR.

10



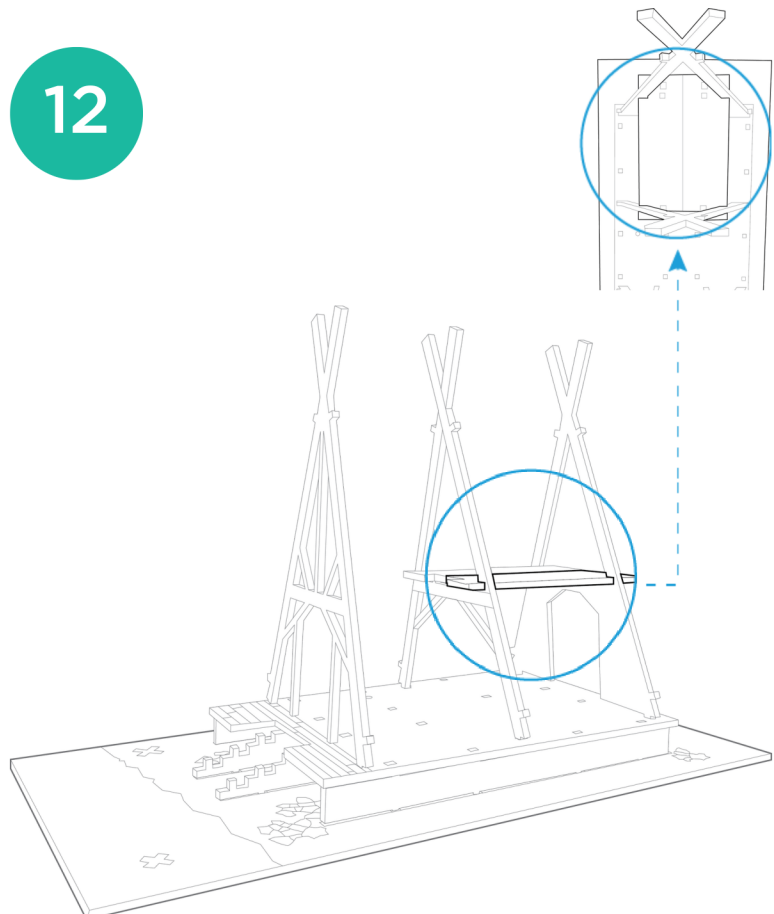
LOCK-IN THE REAT TRUSS AT THE BACK OF THE FLOOR.

11



LOCK-IN THE LEFT SIDE OF THE LOFT FLOOR.

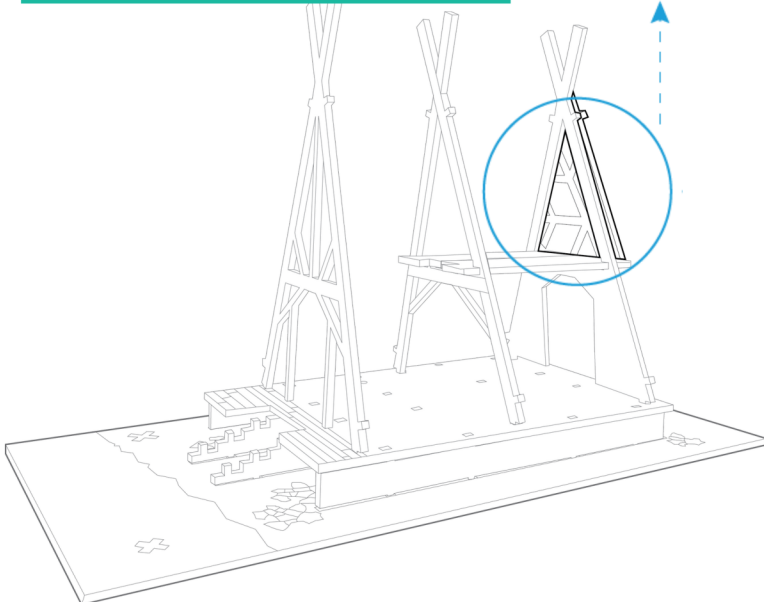
12



LOCK-IN THE RIGHT SIDE OF THE LOFT FLOOR.

13

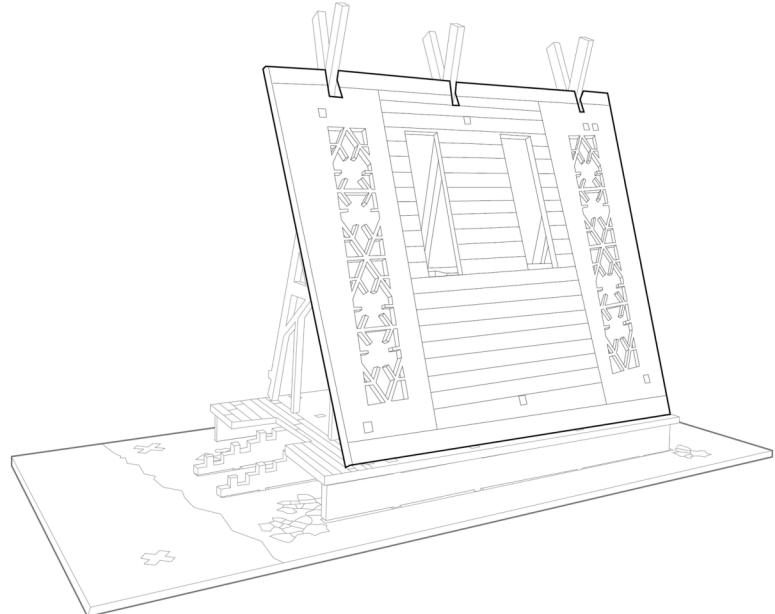
+ Acrylic piece will be placed but will be locked into the roof in steps #14 and #15



PLACE THE ACRYLIC WINDOW AT THE BACK OF THE A-FRAME.

14

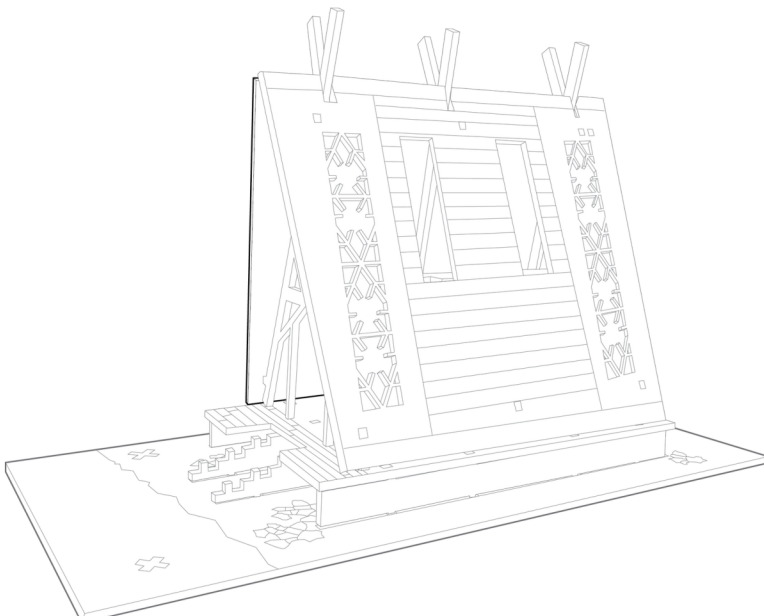
+ You may prefer to add stickers before step #15 to avoid removing the other roof panel after.



PLACE THE RIGHT ROOF IN POSITION. LOCK-IN AT ALL LOCATIONS.

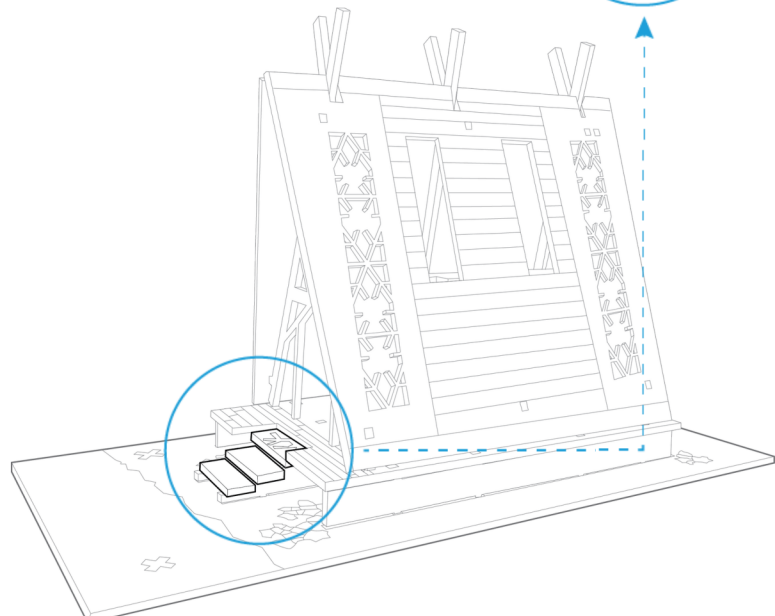
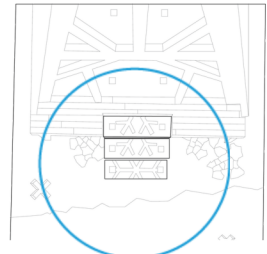
15

+ You may prefer to skip this step and keep one roof panel off to be able to look inside.



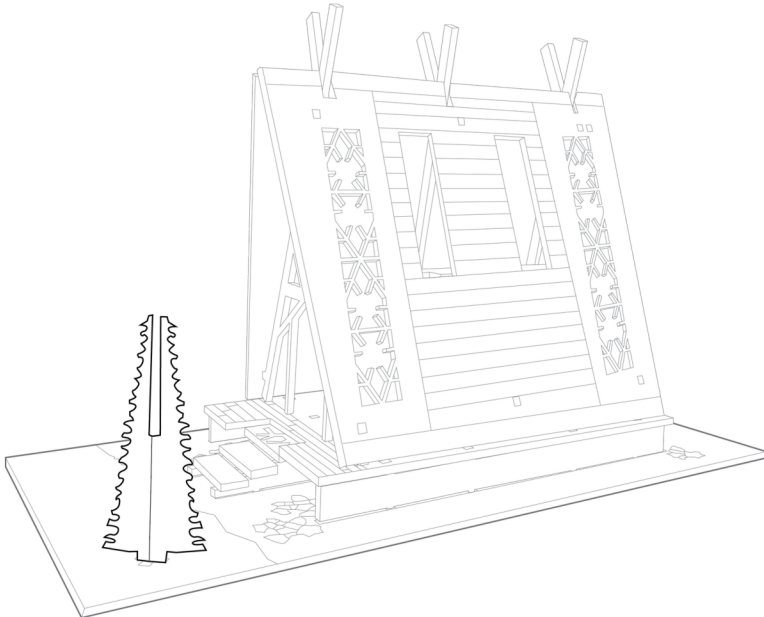
PLACE THE RIGHT ROOF IN POSITION. LOCK-IN AT ALL LOCATIONS.

16



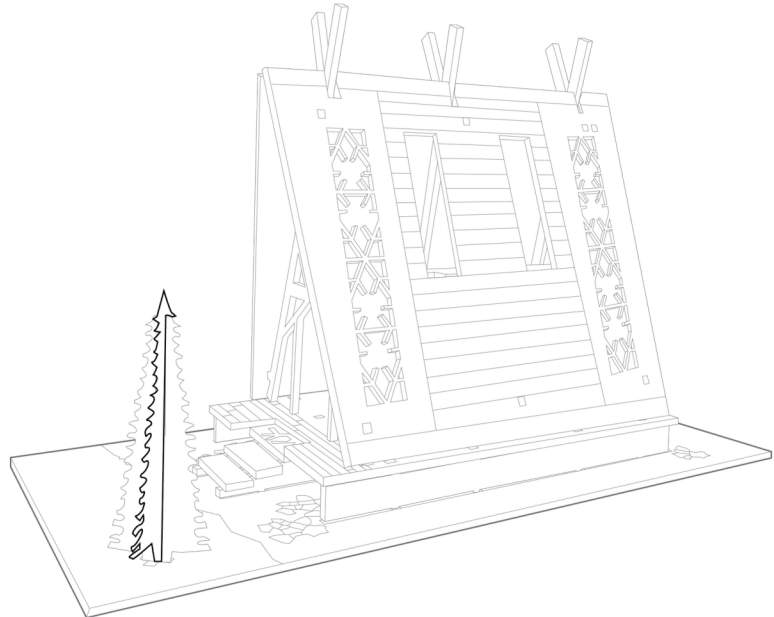
LOCK-IN THE 3 ACRYLIC STEPS.

17



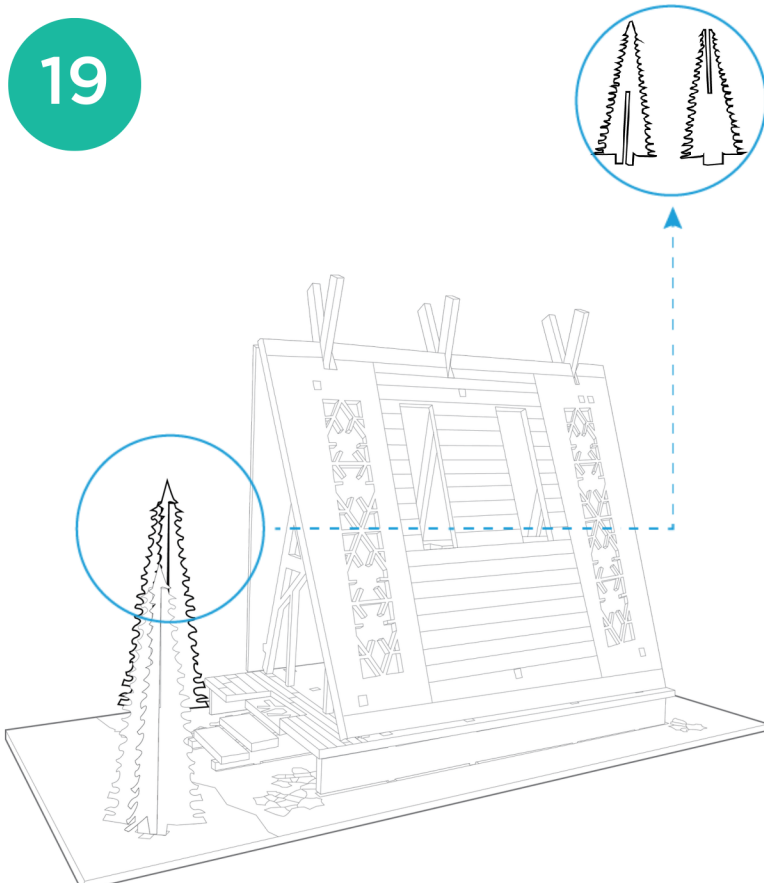
LOCK-IN THE BOTTOM HALF OF THE SMALL TREE.

18



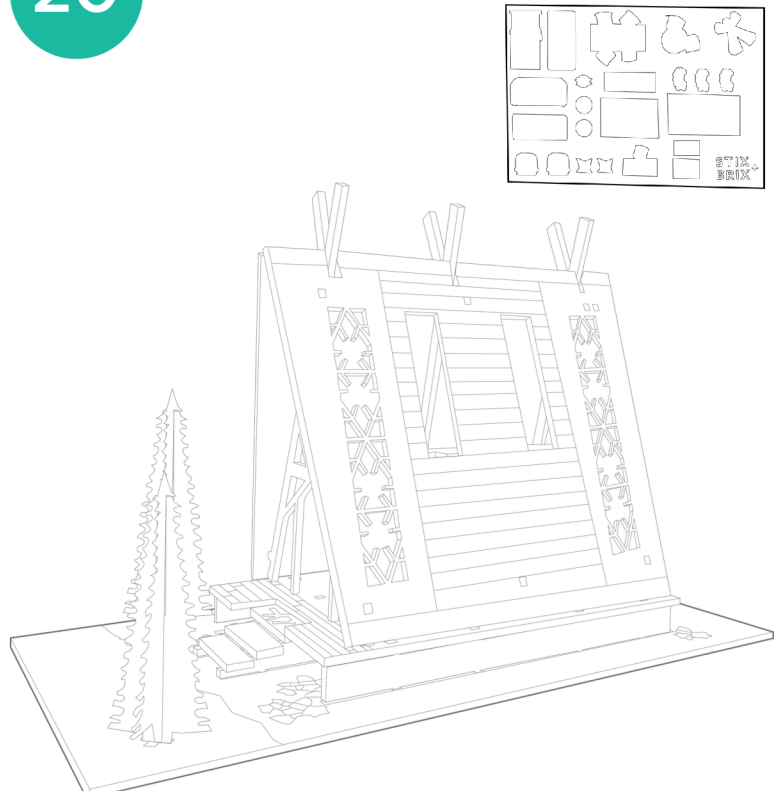
SLIDE THE TOP HALF OF THE SMALL TREE INTO PLACE.

19



BUILD THE LARGE TREE THE SAME AS THE SMALL TREE.

20



DECORATE YOUR A-FRAME AND ADD FURNITURE STICKERS. +REMOVE PART OF THE ROOF TO PLACE THE FURNITURE STICKERS INSIDE.

EVERGREEN



STIX-BRIX.COM

