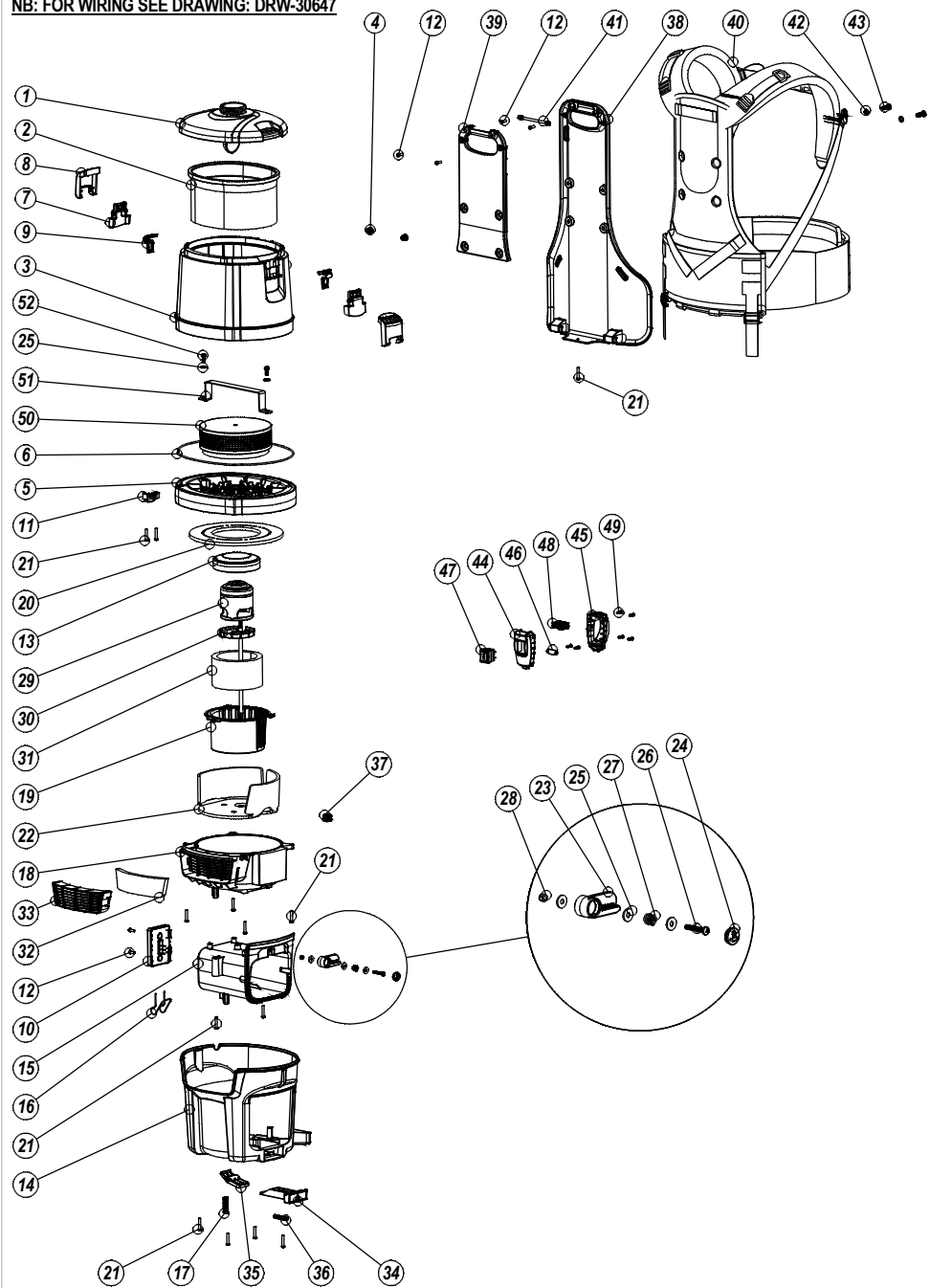


## Numatic International Spare Parts

**Model No:** EXPLODED - RSB150H (CORDLESS BACKPACK WITH PRE-FILTER)

**NB: FOR WIRING SEE DRAWING: DRW-30647**



911075  
DRAWING: DRW-31358 ISS:A07  
26/10/2020

## Numatic International Spare Parts

**Model No:** EXPLODED - RSB150H (CORDLESS BACKPACK WITH PRE-FILTER)

ITEM NO.	PART NUMBER	DESCRIPTION	QTY	COMMENTS:
1	910932	DUST CONTAINER LID	1	
2	910945	SHORT BACKPACK TRITEX FILTER (WITH PRE-FILTER)	1	
3	910928	DUST CONTAINER - SHORT	1	
4	219453	M8 MULTISERT	2	
5	910923	DUST CONTAINER BASE (WITH BRASS INSERTS)	1	
6	910940	SILICONE FOAM CORD SEAL	1	
7	910971	TOGGLE LEVER	2	
8	910927	TOGGLE LATCH	2	SNAP TOGGLE ASSEMBLES INTO DUST CONTAINER
9	910953	TOGGLE RETAINER	2	
10	910251	CORDLESS RUCKSACK PCB ASSEMBLY	1	
11	911171	CORDLESS CABLE RETAINER	1	
12	291152	N08. 1/2 INCH LG. T20 SCREW Z/PL.PLASTITE	6	FOR 2x HARNESS PIN SCREWS ONLY: TORQUE TO 1.6Nm ±1.5 ALL OTHER SCREWS: TORQUE TO 2.6Nm ±1.5
13	911903	CORDLESS MOTOR GASKET - CINDERSON	1	
14	910919	CORDLESS BASE COVER	1	
15	910921	BATTERY HOUSING	1	
16	216655	BATTERY RELEASE SPRING	1	
17	216465	11MM COIL SPRING	1	
18	911001	CORDLESS AIRPATH	1	
19	910943	CORDLESS AIRGUIDE - KHM	1	
20	910936	ACOUSTIC MATERIAL - BASE	1	
21	291082	#8 SCREW 1"L T20 PAN HEAD P/L THREAD FORMING	13	TORQUE TO 2.6Nm ±1.5
22	910938	ACOUSTIC MATERIAL - SIDES	1	ADHESIVE STRIPS STICK TO CORDLESS AIRPATH
23	910635	BATTERY RETAINER	1	
24	910636	BATTERY RETAINER CAP	1	
25	219005	M5 FORM G WASHER	5	
26	299020	M5 X 30MM LONG POZI PAN SCREW	1	TIGHTEN UNTIL BOLT LEVEL WITH END OF NUT
27	206599	SPRING (REF:C5514370)	1	
28	219076	M5 NYLON INSERT NUT	1	
29	911895	SIP CINDERSON 74MM 36V MOTOR (350W/200W)	1	
30	911902	MOTOR MOUNT - CINDERSON	1	
31	910941	RUCKSACK ACOUSTIC FELT (FITTED)	1	
32	911004	RUCKSACK EXHAUST FOAM	1	
33	910950	EXHAUST GRILL	1	
34	911053	BATTERY EJECT BUTTON	1	50N MAX PUSH FORCE
35	911049	BATTERY LATCH	1	
36	219732	COMPRESSION SPRING	1	
37	911088	WIRE GROMMET	1	
38	911051	BACK SUPPORT MOULDING (WITHOUT MOUNTING FEATURE)	1	
39	911002	BACK SUPPORT INSERT	1	
40	912533	RUCKSACK HARNESS - RSB150/RSV150 (RED)	1	
41	206353	HARNESS PIN	1	
42	219018	M8 SHAKEPROOF WASHER	2	
43	219658	M8 X 22MM LONG SOCKET BOLT	2	TORQUE TO 1.6Nm ±1.5
44	237594	RSV SWITCH MODULE HOUSING (1/2)	1	
45	237595	RSV SWITCH MODULE HOUSING (2/2)	1	
46	392305	REMOTE CABLE CLAMP	1	
47	903963	SWITCH.DPDT.RKR.HV	1	
48	903030	LED BATTERY LIFE INDICATOR WITH PCB	1	
49	219667	No6 X 1/2" LONG PLASTITE SCREW	6	TORQUE TO 1.6Nm ±1.5
50	901647	H13 FILTER ASSEMBLY (HZ)	1	
51	911013	PRE-MOTOR FILTER BRACKET	1	
52	219045	M5 X 16MM LONG POZI PAN SEMS SCREW	2	TORQUE TO 2.6Nm ±1.5