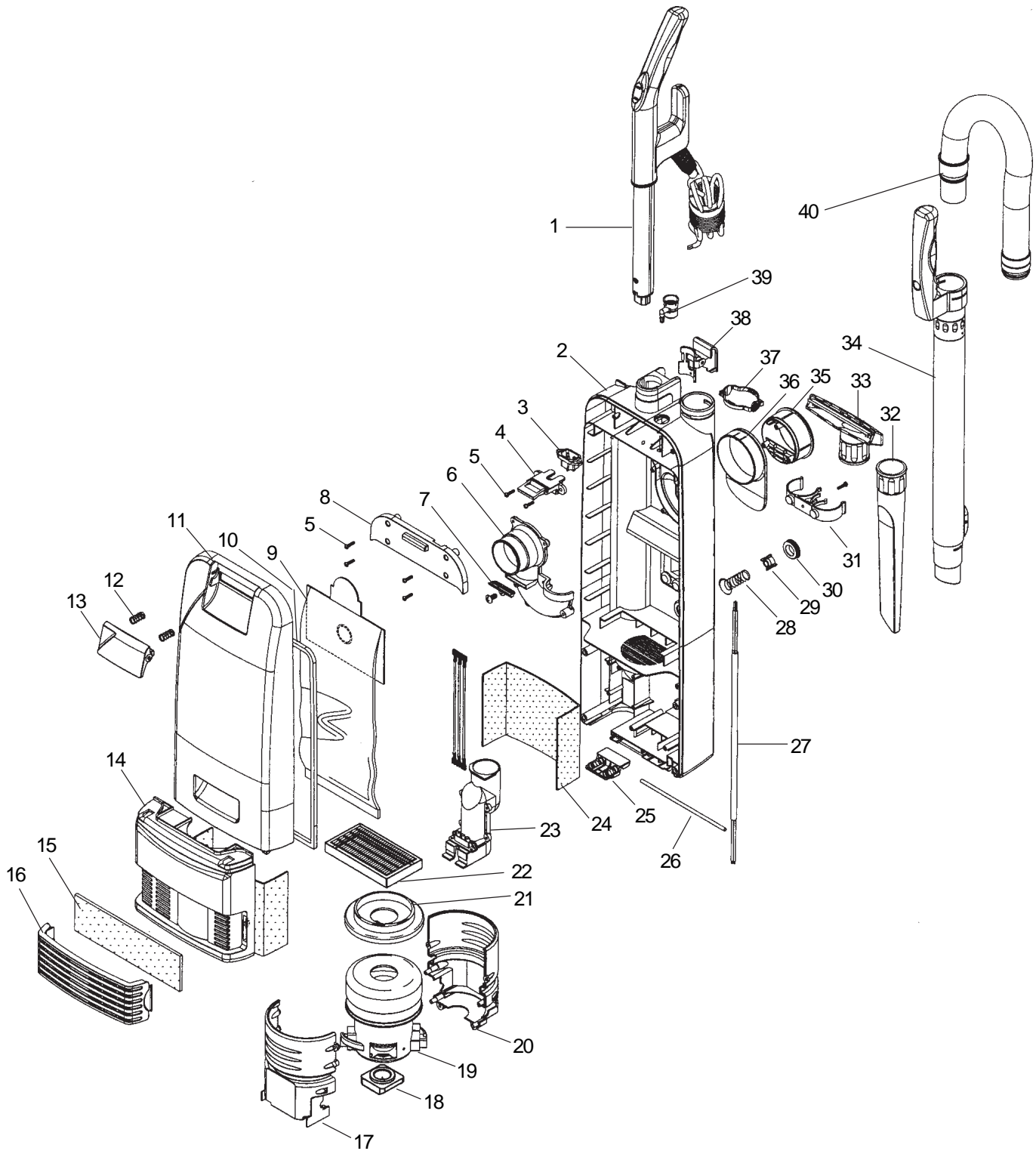




DM1400 & DM1800
Upright Vacuum
Repair Parts List

NACECARE SOLUTIONS
DM1400 & DM1800
Drawing #1 Upper Canister Assembly 3/04

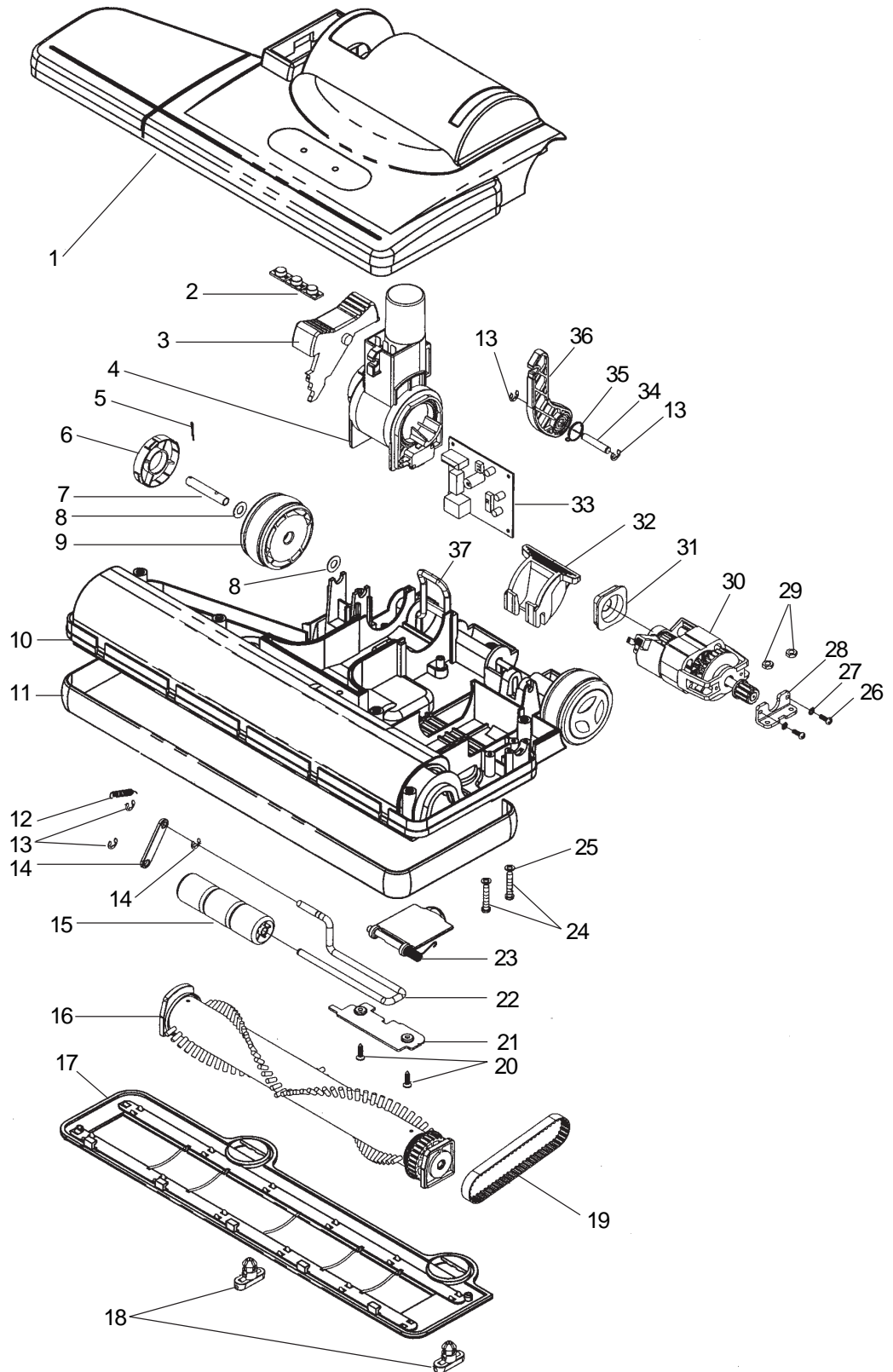


**NACECARE SOLUTIONS
DM1400 & DM1800**

Parts List #1 Upper Canister Assembly 11/04

Ref. No.	Part No.	Description	No. Req'd.
1	53296A	Handle Tube	1
1A	53199N	Handle, Left	1
1B	53207N	Handle, Right	1
1C	53320A	On/Off Switch	1
1D	53315A	Pad, Soft Touch	1
1E	53318A	Power Cord	1
1F	53233A	Receptacle, Handle	1
2	53211N	Canister, Rear (incl. #4, 5, 6, 7, 28, 29, 30, 35, 36)	1
3	53234A	Plug, Canister	1
4	53257A	Pivot, Filter Bag Asm.	1
5	53347A	Screw, M4 x 16	24
6	53213A	Adaptor, Air Inlet Asm. (incl. gaskets - 53307A & 53308A)	1
7	53258A	Guide, Bag Collar	1
8	53212A	Cover, w/Door Latch	1
9	53430A	Bag, Paper (pkg. 10)	1
10	53272A	Gasket, Door	1
11	53218N	Door, Asm. Canister (incl. #10, 12 & 13)	1
12	53330A	Spring, Door Catch	2
13	53219N	Latch, Canister Door	1
14	53215N	Cover, Asm. Vac Motor (incl. # 25 & 26)	1
15	53302A	Exhaust Filter	1
16	53217N	Cover, Exhaust Filter	1
17	53266A	Cover, 2 pc. Vac Motor	1
18	53271A	Spacer, Vacuum Motor	1
19	53324A	Motor, Vac. 120V (incls. #53356A)	1
	53358A	Carbon Brush	2
20		Same as 17 - 2pc. Set	1
21	53270A	Endcap, Vac Motor	1
22	53300A	Filter Cartridge	1
23	53256A	Channel, Airway Asm. (incl. receptacle)	1
24	53306A	Sound Insulation Set	1
25	53214N	Latch, Canister to Brush Hsg.	1
26	53274A	Pin, Canister to Brush Hsg.	1
27	53317A	Interconnect Cord	1
28	53328A	Spring, Air Valve	1
29	53240A	Plunger, Spring	1
30	53264A	Retainer, Air Valve	1
31	53252A	Retainer, Tools	1
32	53220N	Crevice Tool	1
33	53221N	Upholstery Tool w/Brush	1
34	53262N	Wand Assembly	1
35	53253N	Handle, Cord Hook	1
36	53254N	Swivel, Cord Hook	1
37	53255N	Retainer, Hose	2
38	53290N	Clamp, Asm. Handle (incl. 53210A & 53273A)	1
39	53235A	Bag Full Indicator	1
40	53225N	Hose Assembly	1
NI	53567A	O-Ring, Wand	1

NACECARE SOLUTIONS
DM1400 & DM1800
Drawing #2 Brush Housing Assembly 3/04



NACECARE SOLUTIONS
DM1400 & DM1800
Parts List #2 Brush Housing Assembly 7/04

Ref. No.	Part No.	Description	Qty.
1	53231N	Cover Asm., Brush Hsg. 14"	1
2	53232N	Cover Asm., Brush Hsg. 18"	1
3	53245A	(cover asm. include #2) Pedal, Brush Height	1
4	53242A	Pivot Asm., Airway (incl. 53236A; 53244A Bracket, Airway Right; & 53243A Bracket, Airway Left)	1
5		Cotter Pin	2
6	53259N	Hub Cap	2
7		Axle Hub	2
8	53291A	Spacer, Rear Wheel	4
9	53248A	Rear Wheel	2
10	53227N	Brush Housing Asm. 14"	1
	53228N	Brush Housing Asm. 18"	1
		(incl. 53312A, 53313A, 53263A (18))	
11	53267A	Bumper 14"	1
	53268A	Bumper 18"	1
12	53331A	Spring, Brush Height Shaft	1
13	53355A	E-clips M6	4
14	53284A	Guide, Brush Height Shaft	1
15	53229A	Rollers	3
16	53260A	Brush Assembly 14"	1
	53261A	Brush Assembly 18"	1
17	53250N	Bottom Plate 14"	1
	53251N	Bottom Plate 18"	1
18	53263A	Tension Lever	2
19	53354A	Belt	1
20	53350A	Screw, Flathead M4 x 15	2
21	53286A	Retainer, Door and Rollers	1
22	53282A	Shaft, Rollers	1
23	53230A	Cleanout Door Asm. (incl. 53311A, 53278A & 53332A)	1
24		Screw, M5 - .8 x 24	2
25		Washer, M5	2
26	53348A	Screw, M4 - .7 x 10	2
27		Washer, M4	2
28	53285A	Bracket, Brush Motor	1
29		Nuts, M5 - .8	2
30	53325A	Motor, Brush 120V (incl. #26, 27, 28, 31 & 53298A)	1
31		Endcap, Brush Motor	1
32	53249A	Pedal, Foot Latch	1
33	53326A	Circuit Board 120V, 14"	1
	40732A	Circuit Board 120V, 18"	1
34	53275A	Pin, Support Pivot	1
35	53333A	Spring (include with #36)	1
36	53241A	Support Asm., Canister Pivot (includes #13, 34, 35)	1
37	53293A	Rear Axle (includes #7)	1
NI	53570A	Carbon Brush, Nozzle Motor	2

NACECARE SOLUTIONS
 DM1400 & DM1800
 Electrical Schematic 1/05

