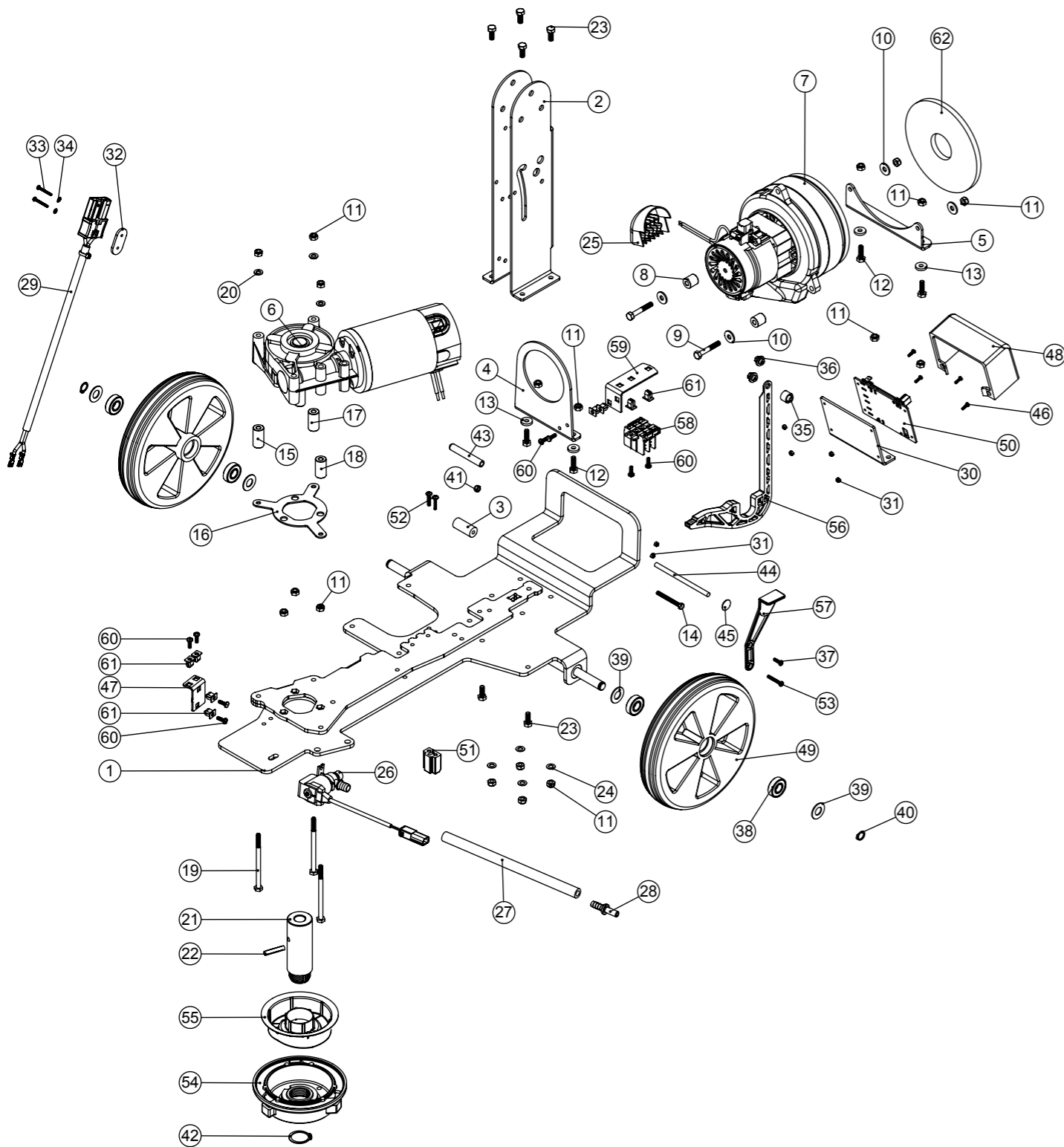


# Numatic International Spare Parts

Model No: TTB 1840 BASE ASSEMBLY EXPLODED DRAWING

FOR WIRING SEE: DRW-7279



FOR SWING ARM ASSEMBLY SEE DRW-10739

234805

DRAWING: DRW-7035 ISS:A28  
28/02/2018

# Numatic International Spare Parts

Model No: TTB 1840 BASE ASSEMBLY EXPLODED DRAWING

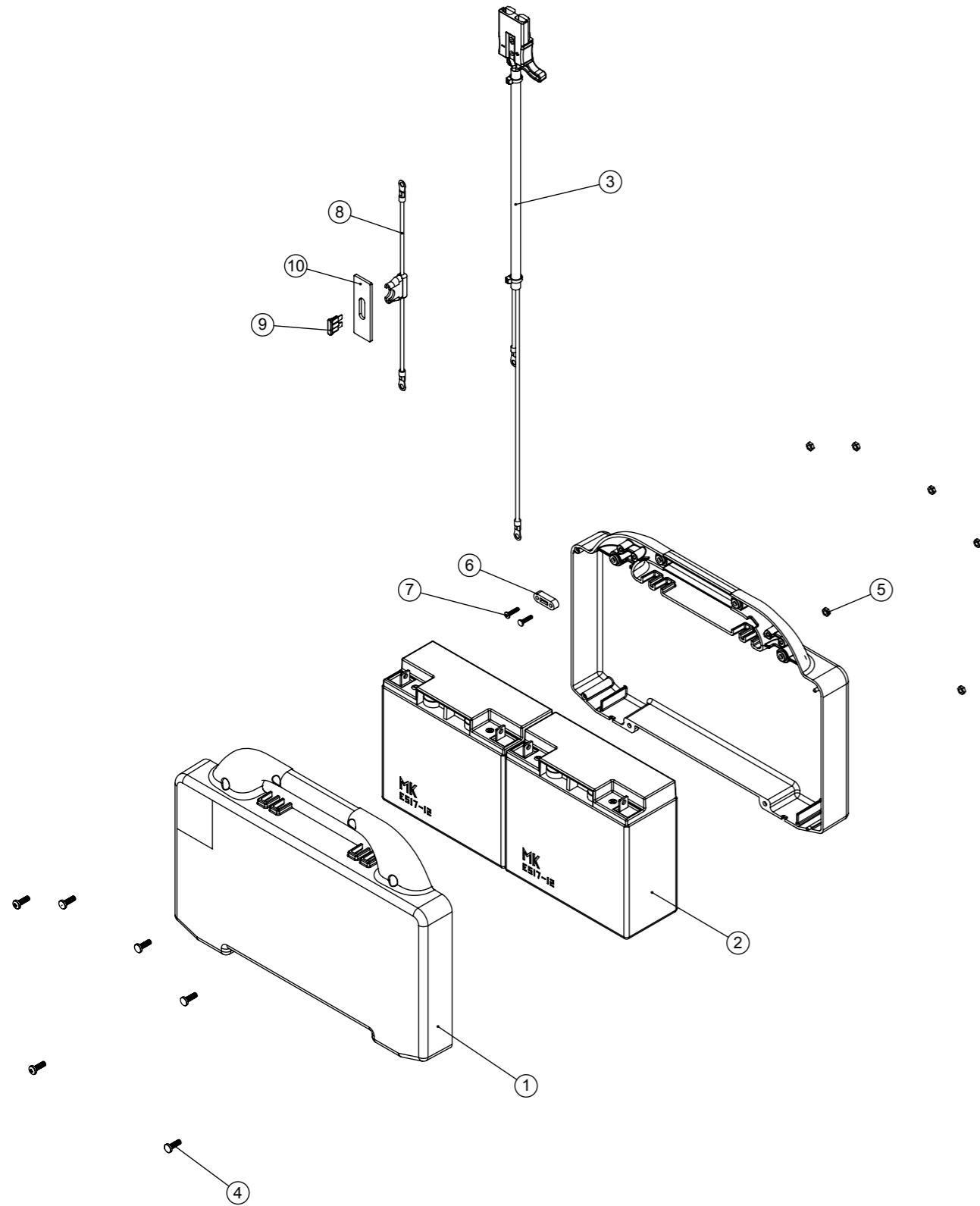
Pos. No.	Item No	DESCRIPTION	QTY.
1	429123	TTB 1840 CHASSIS WELDED ASSEMBLY	1
2	392092	TTB 1840 HANDLE MOUNTING BRACKET	1
3	208465	TTB 1840 HANDLE SPACER	1
4	429124	TTB 1840 FRONT MOTOR PLATE	1
5	429125	TTB 1840 REAR VAC MOTOR PLATE	1
6	205249	24V DC BRUSH DRIVEMOTOR/GEARBOX ASSEMBLY (18.67:1 RATIO)	1
7	606333	TTB1840 VAC MOTOR SPARES KIT	1
8	229187	15MM SPACER	2
9	21965V	M6 X 40MM LONG HEX BOLT	2
10	219008	M6 FORM G WASHER	4
11	219642	M6 STAINLESS STEEL NYLON INSERT NUT	18
12	219976	M6 X 20MM LONG HEXANGONAL HEAD SET SCREW	4
13	208472	RUBBER SPACER	4
14	219706	M5 X 45MM LONG STAINLESS STEEL HEXAGONAL BOLT	1
15	208461	30MM GEARBOX SPACER	1
16	429127	NUT RETAINING PLATE Z/PL	1
17	208460	29MM GEARBOX SPACER	1
18	208459	28MM GEARBOX SPACER	1
19	291021	M6 X 90MM LONG STAINLESS STEEL HEXAGONAL HEAD BOLT	3
20	219870	M6 FORM A WASHER STAINLESS STEEL	3
21	208447	TTB 1840 DRIVE SHAFT	1
22	219523	GROOVED PIN	1
23	219719	M6 X 16MM LONG HEXAGONAL STAINLESS STEEL HEAD BOLT	6
24	219560	M6 FORM B STAINLESS STEEL WASHER	4
25	237218	TTB 1840 VAC DIFFUSER	1
26	902949	TERMINATED SOLONOID CABLE.BLACK.125.0M5.2.24	1
27	303962	SOLENOID TUBE (230MM)	1
28	206796	BARBED CONNECTOR	1
29	321619	TTB 1840 DC CONNECTOR ASSEMBLY	1
30	429128	TTB 1840 PCB MOUNTING PLATE	1
31	219070	M3 NYLON INSERT NUT	6
32	392126	TTB 1840 DC CONNECTOR BACK PLATE	1
33	219519	M3 X 25MM LONG POZI PAN SCREW	2
34	219237	M3 FORM A WASHER	2
35	237240	TTB 1840 LIFT SPACER	1
36	237241	TTB 1840 SCREW END	2
37	219667	No6 X 1/2" LONG PLASTITE SCREW	1
38	206637	STAINLESS STEEL BEARING	4
39	208490	TTB 1840 WHEEL WASHER	4
40	219345	12MM EXTERNAL CIRCLIP	2
41	219633	M5 STAINLESS STEEL NYLON INSERT NUT	1
42	230048	26MM EXTERNAL CIRCLIP	1
43	330034	RETAINING BAR CAP	1
44	391400	HOSE RETAINING BAR	1
45	21926V	6MM CHROME HUB CAP	1
46	219031	M3 X 10MM LONG POZI PAN SCREW	4
47	908213	SOLENOID PLATE (TT/TTB1840)	1
48	237349	TTB 1840 PCB COVER	1
49	208556	TT/B 1840 WHEEL	2
50	208468	TTB 1840 DC DRIVE PCB	1
51	237532	UPPER LIFT BLOCK	1
52	219568	NO8.3/4 INCH LG.POZI-PAN.SCREW.STAINLESS STEEL.PLASTITE	2
53	219602	No6 X 1 INCH LONG POZI PAN PLASTITE SCREW (Z/PL)	1
54	904758	CHUCK (TO SUIT FLUID CHANNEL)	1
55	903639	FLUID CHANNEL	1
56	903926	TTB 1840 SQUEEGEE LIFT ARM (RED)	1
57	903879	TTB 1840 SQUEEGEE LIFT HANDLE (RED)	1
58	906520	HYLEC 2X3 TERMINAL BLOCK ASSEMBLY (HY508/2 V/3F)	1
59	906626	TBLOCK SUPPORT PLATE	1
60	219569	NO8.1/2 INCH. LG.POZI-PAN.SCREW.STAINLESS STEEL.PLASTITE	8
61	900986	NYLON GROMMET NUT (PLASTIC INSERT TO SUIT No 8 PLASTITE SCREW)	8
62	208477	MOTOR PAD	1

# Numatic International Spare Parts

Model No: TTB 1840 BATTERY PACK EXPLODED DRAWING

234803  
DRAWING: DRW-6995 ISS:A05  
06/06/2018

NOTE: WIRING DIAGRAM: DRW-7279



# Numatic International Spare Parts

Model No: TTB 1840 BATTERY PACK EXPLODED DRAWING

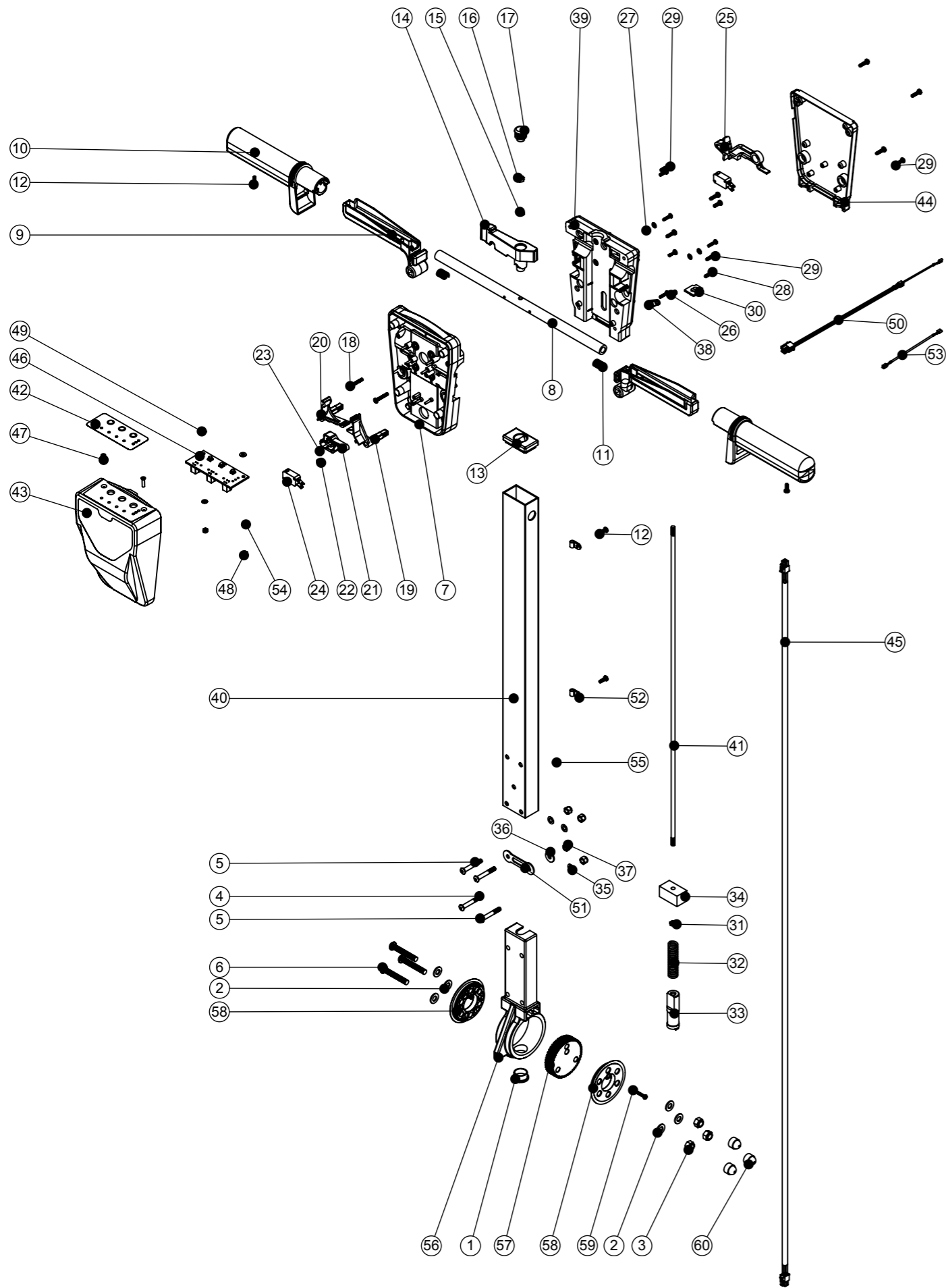
ITEM NO.	PART NO.	DESCRIPTION	COMMENT	QTY.
1	237227	TTB 1840 BATTERY CASE (HALF)	HTB VERSION 907146	2
2	230181	MK BATTERY ES17-12 (12V-18AH/20HR)		2
3	321618	TTB 1840 BATTERY LEAD ASSEMBLY		1
4	219547	M5 X 16MM LONG POZI PAN STAINLESS STEEL SCREW		6
5	219721	M5 STAINLESS STEEL FULL NUT		6
6	227008	BLACK CABLE CLAMP		1
7	219107	NO6.5/8 INCH LG.POZI-PAN.SCREW.Z/PL.PLASTITE		2
8	330033	FUSE HOLDER ASSEMBLY		1
9	208526	40 AMP FUSE		1
10	304488	BATTERY PACK FUSE PLATE		1

# Numatic International Spare Parts

**Model No:** TTB (& HTB) 1840 HANDLE EXPLODED DRAWING

NB: FOR WIRING SEE DRAWING: DRW-7279

Internal Code: 234804  
 DRAWING: DRW-6999 ISS:A15  
 PRO 06/06/2018



# Numatic International Spare Parts

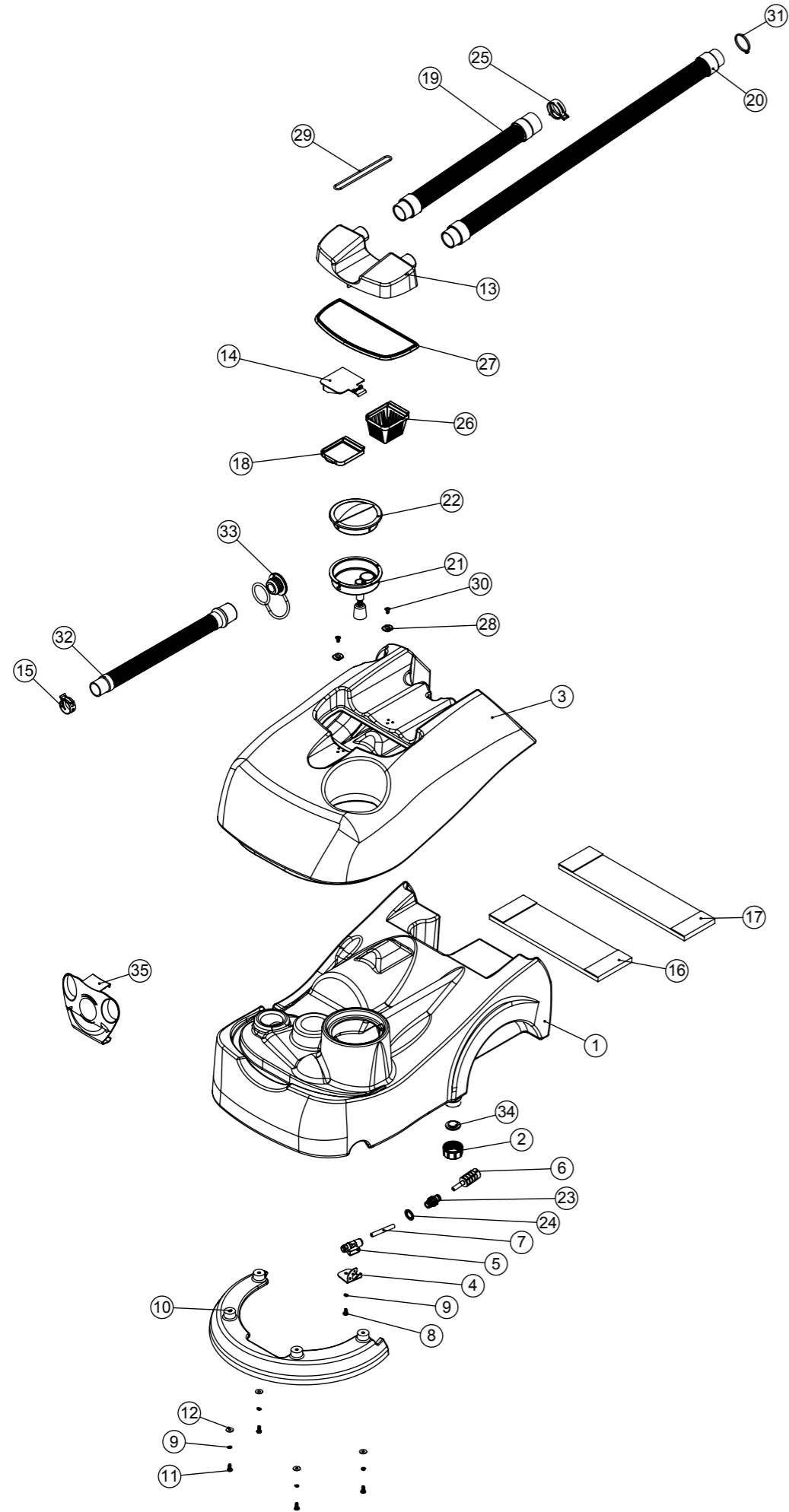
**Model No:** TTB (& HTB) 1840 HANDLE EXPLODED DRAWING

ITEM NO.	PART NO.	DESCRIPTION	COMMENTS	QTY.
1	229099	25MM DIA HOLE PLUG		1
2	219010	M8 FORM A WASHER		6
3	219078	NUT.M8.NYLON INSERT.Z/PL		3
4	219881	M6 X 45MM SOCKET BUTTON HEAD SCREW		1
5	219807	M6 X 40MM LONG SOCKET BUTTON HEAD BOLT		3
6	219922	M8 X 50MM LONG SOCKET BUTTON HEAD STAINLESS STEEL BOLT		3
7	227576	FRONT INNER HALF MOULDING	HTB 237542	1
8	338269	CROSS TUBE		1
9	903547	TRIGGER MOULDING (RED)	GREY VERSION 227581	2
10	227580	HAND GRIP MOULDING	HTB 237544	2
11	219803	TRIGGER COMPRESSION SPRING		2
12	219270	No8 X 1/2 INCH LONG POZI PAN SELF TAP SCREW		4
13	903546	HANDLE PLUG MOULDING (RED)	GREY VERSION 227582	1
14	903545	ADJUSTMENT LEVER MOULDING (RED)	GREY VERSION 227583	1
15	219493	M6 NYLON WASHER		1
16	219642	M6 STAINLESS STEEL NYLON INSERT NUT		1
17	20638V	19MM BLACK TUBE END STOP		1
18	219811	NO8 X 1 INCH LONG POZI-PAN SELF TAP SCREW		2
19	227585	LEFT HAND SWITCH OPERATING LEVER MOULDING		1
20	227586	RIGHT HAND SWITCH OPERATING LEVER MOULDING		1
21	227587	CENTRE SWITCH OPERATING LEVER MOULDING		1
22	219805	4MM SPIREFIX		1
23	219804	SWITCH COMPRESSION SPRING		1
24	229483	SNAP ACTION SWITCH		2
25	227584	INTERLOCK LEVER MOULDING		1
26	219107	NO6.5/8 INCH LG.POZI-PAN.SCREW.Z/PL.PLASTITE		4
27	219206	M4 FORM A WASHER		4
28	219101	No8 X 1/2 INCH LONG POZI PAN PLASTIITE SCREW		4
29	219105	No8 X 5/8 INCH LONG POZI PAN PLASTITE SCREW		8
30	227666	BLANKING PLUG		1
31	219099	M6 HALF NUT		1
32	229138	SPRING		1
33	229073	GEAR LOCKING PIN		1
34	229030	ANTI VIBRATION PAD		1
35	219007	M6 FORM B WASHER		3
36	219008	M6 FORM G WASHER		1
37	219088	M6 NYLON INSERT NUT		4
38	229669	LOLINE HANDLE CABLE CLAMP		1
39	227577	REAR INNER HALF MOULDING	HTB 237543	1
40	429132	600MM PAINTED HANDLE		1
41	215029	610MM HANDLE LOCKING ROD		1
42	208622	CONTROL PANEL OVERLAY Hi Lo		1
43	237429	TTB1840 & TTB4045 & TTB4055 FRONT COVER MOULDING HI LO (STANDARD MATERIAL)	HTB 907446	1
44	227579	REAR COVER MOULDING	HTB 905663	1
45	208469	TTB 1840 4 CORE LOOM ASSEMBLY		1
46	208609	TTB1840 STYLE CONTROL PCB		1
47	219407	M4 X 16MM LONG POZI PAN COUNTERSUNK SCREW	TIGHTEN TO 1Nm	2
48	219083	M4 NYLON INSERT NUT		2
49	208521	NYLON WASHER 10.0 OD X 4.1 ID X 1.0MM		2
50	208486	3 CORE HANDLE LOOM		1
51	229139	CABLE CLAMP		1
52	208496	P CLIP		2
53	321627	130mm BLACK LINK WIRE		1
54	219688	M4 FORM A STAINLESS STEEL WASHER		2
55	229009	BLANKING PLUG		1
56	900398	HANDLE CASTING MACHINED (HNS VERSION)		1
57	900397	MINI ADJUSTMENT GEAR		1
58	900396	ADJUSTMENT GEAR SPACER		2
59	291150	NO6 X 1 INCH LONG POZI PAN SCREW S/S		1
60	903260	BOLT AND NUT CAP		3

# Numatic International Spare Parts

Model No: TTB (& HTB) 1840 TANK & SEPARATOR EXPLODED DRAWING ASSEMBLY

Internal Code: 234806  
 DRAWING: DRW-6988 ISS:A29  
 PRO 06/06/2018



# Numatic International Spare Parts

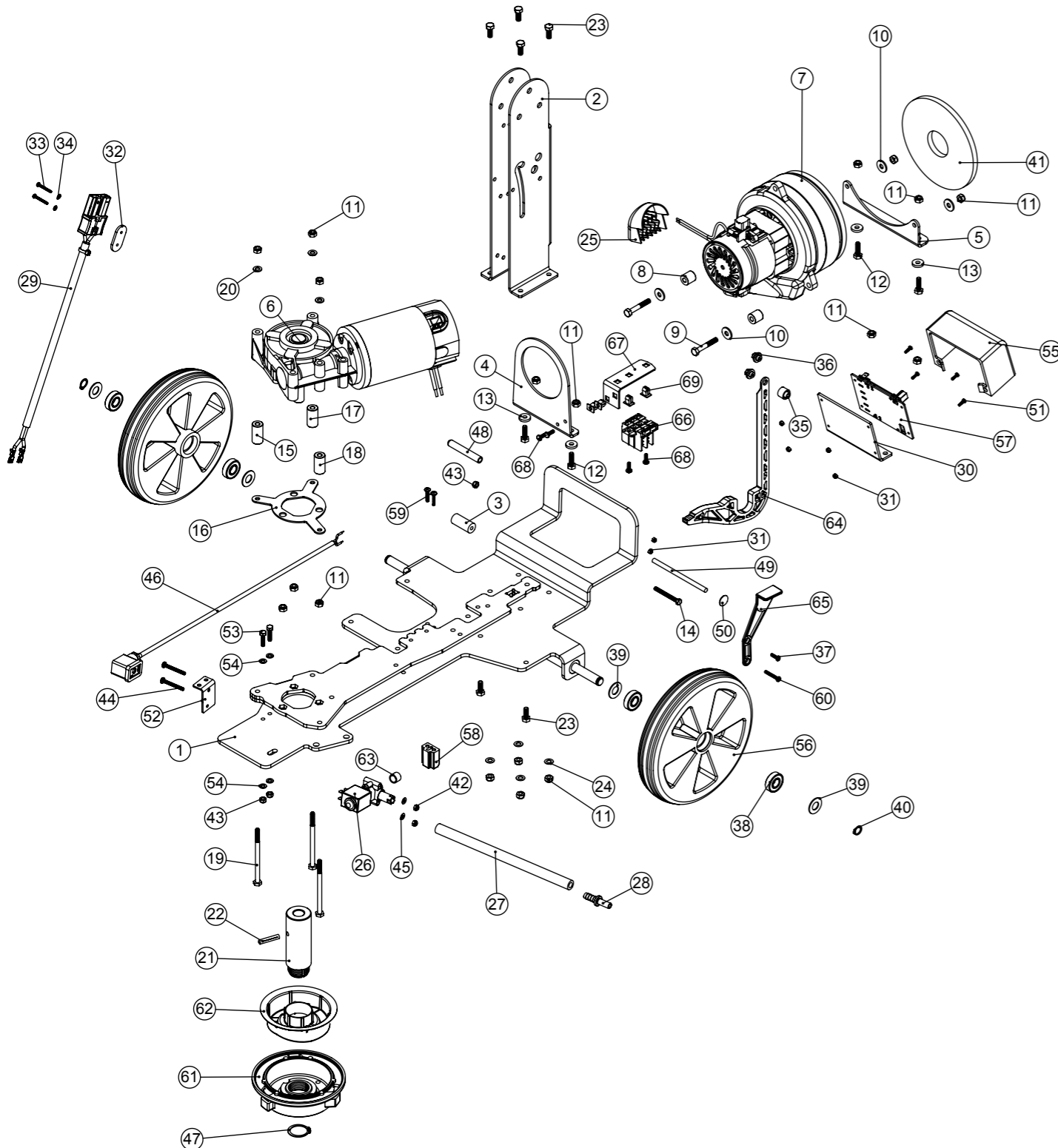
Model No: TTB (& HTB) 1840 TANK & SEPARATOR EXPLODED DRAWING ASSEMBLY

ITEM:	PART No:	DESCRIPTION	COMMENTS	QTY
1	237228	TTB 1840 CLEAN TANK	HTB VERSION 907442	1
2	906415	CAP MOULDING	REPLACES 208448	1
3	240127	TTB 1840 TOP TANK (GRAPHITE)	HTB VERSION 907444	1
4	392125	TTB 1840 TAP PLATE		1
5	216260	MINI BALL VALVE		1
6	303961	TANK FILTER ASSEMBLY		1
7	303960	TANK FILTER TUBE		1
8	219668	M5 X 10MM LONG POZI PAN STAINLESS STEEL SCREW		1
9	219861	M5 SINGLE COIL STAINLESS STEEL WASHER		5
10	237233	TTB 1840 DECK MOULDING	HTB VERSION 907556	1
11	219740	M5 X 12MM LONG STAINLESS STEEL POZI PAN SCREW		4
12	219644	M5 FORM G STAINLESS STEEL WASHER		4
13	237230	TTB 1840 SEPARATOR MOULDING		1
14	237231	TTB 1840 SHUT OFF FLAP		1
15	208471	CONSTANT TENSION CLIP		1
16	208479	TTB 1840 FOAM PAD (100 X 320)		1
17	208478	TTB 1840 FOAM PAD (90 X 370)		1
18	237232	TTB 1840 AIR FILTER PANEL		1
19	213055	TTB 1840 VAC HOSE C/W CUFFS		1
20	213054	SUCTION HOSE		1
21	303985	TTB 1840 FILLER CAP ASSEMBLY		1
22	903544	FILLER CAP LID (RED)	GREY VERSION 237268	1
23	902109	8MM PUSH FIT BRASS BULKHEAD FITTING		1
24	208525	BONDED SEAL		1
25	208537	VAC HOSE CONSTANT TENSION CLIP		1
26	237411	TOP TANK FILTER		1
27	237418	TTB 1840 SEPARATOR SEAL MOULDING		1
28	903875	O RING CLIP MOULDING (RED)	BLACK VERSION 237397	2
29	208715	O RING (3mmDIA.95mm)		1
30	291008	M5 X 10MM LONG POZI PAN COUNTERSUNK STAINLESS STEEL SCREW		2
31	220138	BLACK CABLE TIE		1
32	208466	TTB 1840 DUMP HOSE		1
33	903325	32MM HOSE CAP RED		1
34	905467	SEALING BUNG		1
35	907179	1840 FACE MOULDING (MODEL WITH GRAPHICS)		1

# Numatic International Spare Parts

Model No: TTB 1840 BASE ASSEMBLY EXPLODED DRAWING

FOR WIRING SEE: DRW-7279



FOR SWING ARM ASSEMBLY SEE DRW-10739

234805

DRAWING: DRW-7035 ISS:A22  
04/10/2017

# Numatic International Spare Parts

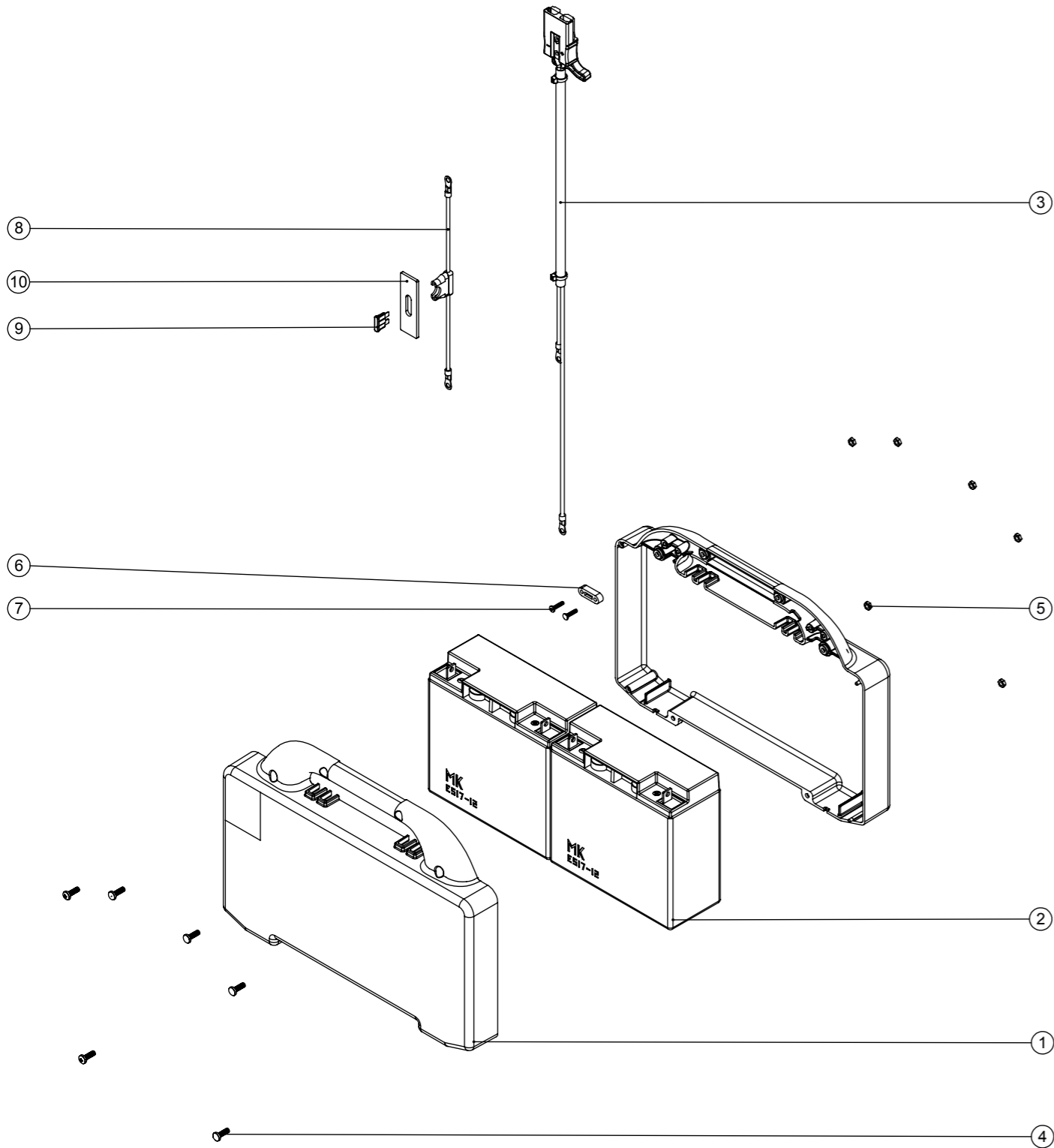
Model No: TTB 1840 BASE ASSEMBLY EXPLODED DRAWING

Pos. No.	Item No	DESCRIPTION	QTY.
1	429123	TTB 1840 CHASSIS WELDED ASSEMBLY	1
2	392092	TTB 1840 HANDLE MOUNTING BRACKET	1
3	208465	TTB 1840 HANDLE SPACER	1
4	429124	TTB 1840 FRONT MOTOR PLATE	1
5	429125	TTB 1840 REAR VAC MOTOR PLATE	1
6	205249	24V DC BRUSH DRIVEMOTOR/GEARBOX ASSEMBLY (18.67:1 RATIO)	1
7	606333	TTB1840 VAC MOTOR SPARES KIT	1
8	229187	15MM SPACER	2
9	21965V	M6 X 40MM LONG HEX BOLT	2
10	219008	M6 FORM G WASHER	4
11	219642	M6 STAINLESS STEEL NYLON INSERT NUT	18
12	219976	M6 X 20MM LONG HEXANGONAL HEAD SET SCREW	4
13	208472	RUBBER SPACER	4
14	219706	M5 X 45MM LONG STAINLESS STEEL HEXAGONAL BOLT	1
15	208461	30MM GEARBOX SPACER	1
16	429127	NUT RETAINING PLATE Z/PL	1
17	208460	29MM GEARBOX SPACER	1
18	208459	28MM GEARBOX SPACER	1
19	291021	M6 X 90MM LONG STAINLESS STEEL HEXAGONAL HEAD BOLT	3
20	219870	M6 FORM A WASHER STAINLESS STEEL	3
21	208447	TTB 1840 DRIVE SHAFT	1
22	219523	GROOVED PIN	1
23	219719	M6 X 16MM LONG HEXAGONAL STAINLESS STEEL HEAD BOLT	6
24	219560	M6 FORM B STAINLESS STEEL WASHER	4
25	237218	TTB 1840 VAC DIFFUSER	1
26	220379	24V D.C. SOLENOID VALVE	1
27	303962	SOLENOID TUBE (230MM)	1
28	206796	BARBED CONNECTOR	1
29	321619	TTB 1840 DC CONNECTOR ASSEMBLY	1
30	429128	TTB 1840 PCB MOUNTING PLATE	1
31	219070	M3 NYLON INSERT NUT	6
32	392126	TTB 1840 DC CONNECTOR BACK PLATE	1
33	219519	M3 X 25MM LONG POZI PAN SCREW	2
34	219237	M3 FORM A WASHER	2
35	237240	TTB 1840 LIFT SPACER	1
36	237241	TTB 1840 SCREW END	2
37	219667	No6 X 1/2" LONG PLASTITE SCREW	1
38	206637	STAINLESS STEEL BEARING	4
39	208490	TTB 1840 WHEEL WASHER	4
40	219345	12MM EXTERNAL CIRCLIP	2
41	208477	MOTOR PAD	1
42	219687	M4 STAINLESS STEEL NYLON INSERT NUT	2
43	219633	M5 STAINLESS STEEL NYLON INSERT NUT	3
44	219703	M4 X 35MM LONG STAINLESS STEEL POZI PAN SCREW	2
45	219688	M4 FORM A STAINLESS STEEL WASHER	2
46	236153	TTB 1840 SOLENOID LEAD C/W TERMINALS	1
47	230048	26MM EXTERNAL CIRCLIP	1
48	330034	RETAINING BAR CAP	1
49	391400	HOSE RETAINING BAR	1
50	21926V	6MM CHROME HUB CAP	1
51	219031	M3 X 10MM LONG POZI PAN SCREW	4
52	392117	TTB 1840 SOLENOID PLATE	1
53	291029	M5.20MM LG.HEX.SCREW S/S	2
54	219355	M5 FORM A STAINLESS STEEL WASHER	4
55	237349	TTB 1840 PCB COVER	1
56	208556	TT/B 1840 WHEEL	2
57	208468	TTB 1840 DC DRIVE PCB	1
58	237532	UPPER LIFT BLOCK	1
59	219568	NO8.3/4 INCH LG.POZI-PAN.SCREW.STAINLESS STEEL.PLASTITE	2
60	219602	No6 X 1 INCH LONG POZI PAN PLASTITE SCREW (Z/PL)	1
61	904758	CHUCK (TO SUIT FLUID CHANNEL)	1
62	903639	FLUID CHANNEL	1
63	904769	TUBE SECTION (ST9.5E12.5R10)	1
64	903926	TTB 1840 SQUEEGEE LIFT ARM (RED)	1
65	903879	TTB 1840 SQUEEGEE LIFT HANDLE (RED)	1
66	906520	HYLEC 2X3 TERMINAL BLOCK ASSEMBLY (HY508/2 V/3F)	1
67	906626	TBLOCK SUPPORT PLATE	1
68	219569	NO8.1/2 INCH. LG.POZI-PAN.SCREW.STAINLESS STEEL.PLASTITE	4
69	900986	NYLON GROMMET NUT (PLASTIC INSERT TO SUIT No 8 PLASTITE SCREW)	4

# Numatic International Spare Parts

Model No: TTB 1840 BATTERY PACK EXPLODED DRAWING

234803  
DRAWING: DRW-6995 ISS:A03  
01/07/2013



# Numatic International Spare Parts

Model No: TTB 1840 BATTERY PACK EXPLODED DRAWING

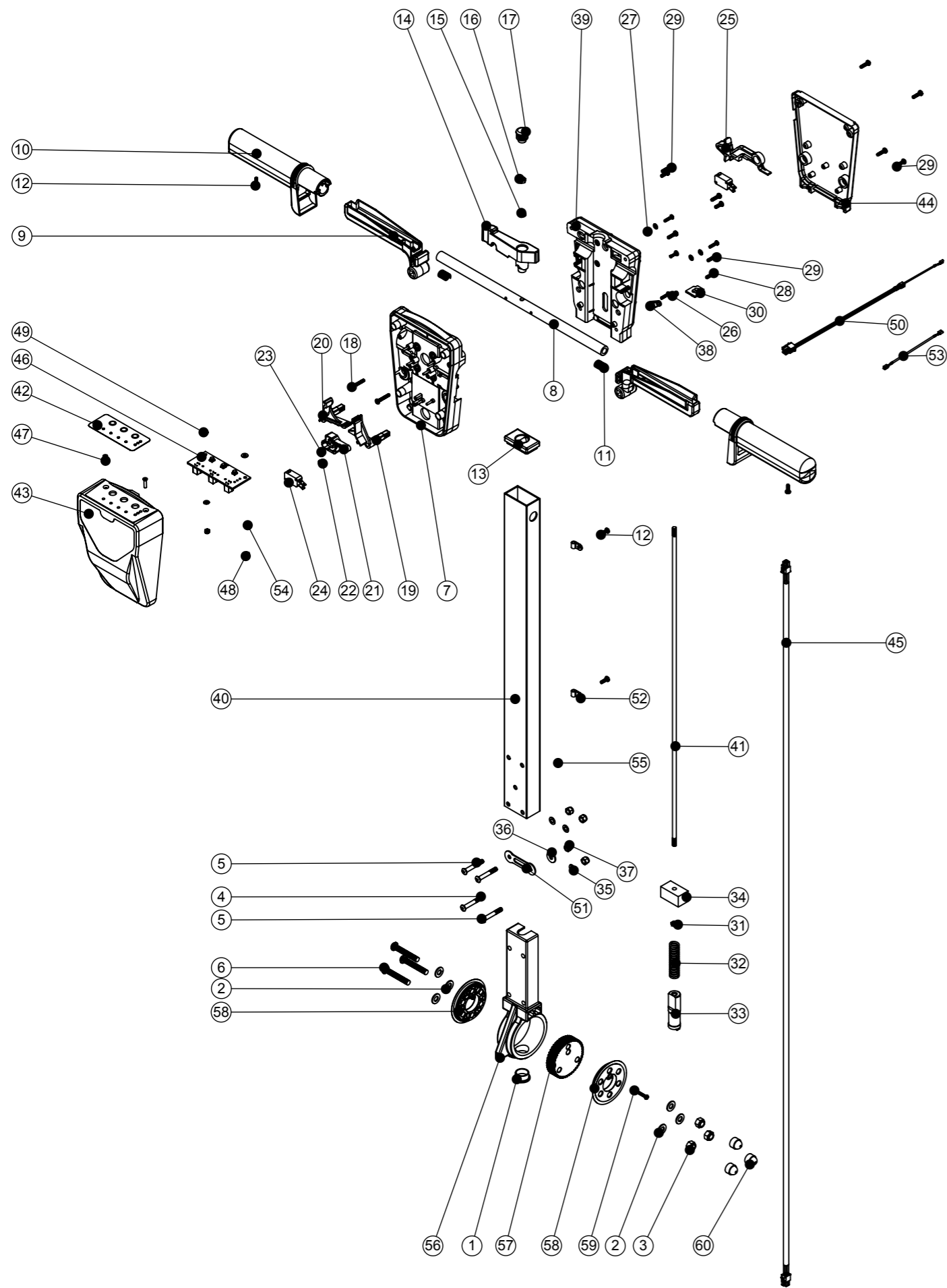
ITEM NO.	PART NO.	DESCRIPTION	QTY.
1	237227	TTB 1840 BATTERY CASE (HALF)	2
2	230181	MK BATTERY ES17-12 (12V-18AH/20HR)	2
3	321618	TTB 1840 BATTERY LEAD ASSEMBLY	1
4	219547	M5 X 16MM LONG POZI PAN STAINLESS STEEL SCREW	6
5	219721	M5 STAINLESS STEEL FULL NUT	6
6	227008	BLACK CABLE CLAMP	1
7	219107	No6 X 5/8 INCH LONG POZI PAN PLASTITE SCREW	2
8	330033	FUSE HOLDER ASSEMBLY	1
9	208526	40 AMP FUSE	1
10	304488	BATTERY PACK FUSE PLATE	1

# Numatic International Spare Parts

Model No: TTB 1840 HANDLE EXPLODED DRAWING

NB: FOR WIRING SEE DRAWING: WD-0???

Internal Code: 234804  
 DRAWING: DRW-6999 ISS:A13  
 PRO 16/10/2017



# Numatic International Spare Parts

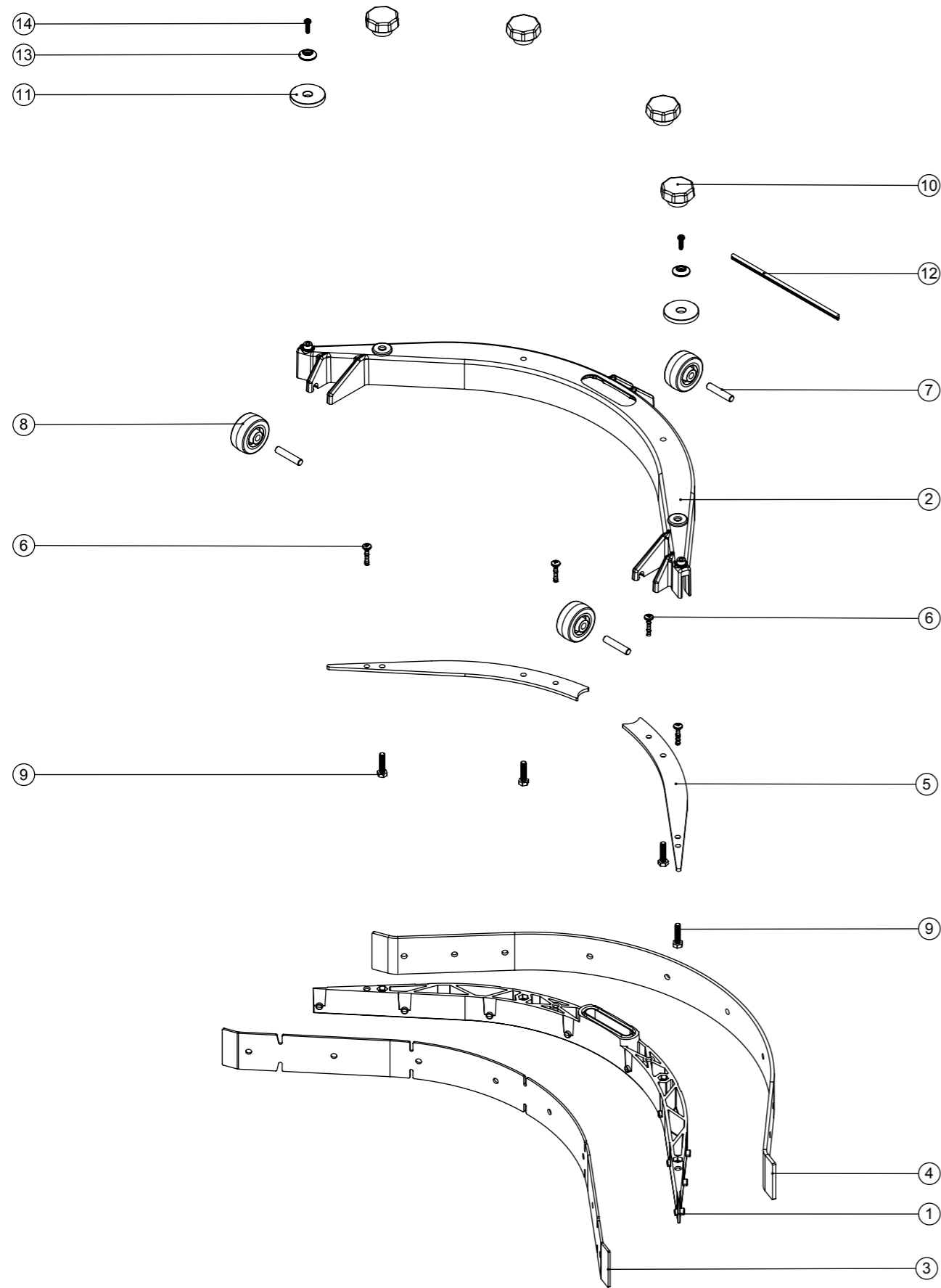
Model No: TTB 1840 HANDLE EXPLODED DRAWING

ITEM NO.	PART NO.	DESCRIPTION	COMMENTS	QTY.
1	229099	25MM DIA HOLE PLUG		1
2	219010	M8 FORM A WASHER		6
3	219078	NUT.M8.NYLON INSERT.Z/PL		3
4	219881	M6 X 45MM SOCKET BUTTON HEAD SCREW		1
5	219807	M6 X 40MM LONG SOCKET BUTTON HEAD BOLT		3
6	219922	M8 X 50MM LONG SOCKET BUTTON HEAD STAINLESS STEEL BOLT		3
7	227576	FRONT INNER HALF MOULDING		1
8	338269	CROSS TUBE		1
9	903547	TRIGGER MOULDING (RED)	GREY VERSION 227581	2
10	227580	HAND GRIP MOULDING		2
11	219803	TRIGGER COMPRESSION SPRING		2
12	219270	No8 X 1/2 INCH LONG POZI PAN SELF TAP SCREW		4
13	903546	HANDLE PLUG MOULDING (RED)	GREY VERSION 227582	1
14	903545	ADJUSTMENT LEVER MOULDING (RED)	GREY VERSION 227583	1
15	219493	M6 NYLON WASHER		1
16	219642	M6 STAINLESS STEEL NYLON INSERT NUT		1
17	20638V	19MM BLACK TUBE END STOP		1
18	219811	NO8 X 1 INCH LONG POZI-PAN SELF TAP SCREW		2
19	227585	LEFT HAND SWITCH OPERATING LEVER MOULDING		1
20	227586	RIGHT HAND SWITCH OPERATING LEVER MOULDING		1
21	227587	CENTRE SWITCH OPERATING LEVER MOULDING		1
22	219805	4MM SPIREFIX		1
23	219804	SWITCH COMPRESSION SPRING		1
24	229483	SNAP ACTION SWITCH		2
25	227584	INTERLOCK LEVER MOULDING		1
26	219107	NO6.5/8 INCH LG.POZI-PAN.SCREW.Z/PL.PLASTITE		4
27	219206	M4 FORM A WASHER		4
28	219101	No8 X 1/2 INCH LONG POZI PAN PLASTIITE SCREW		4
29	219105	No8 X 5/8 INCH LONG POZI PAN PLASTITE SCREW		8
30	227666	BLANKING PLUG		1
31	219099	M6 HALF NUT		1
32	229138	SPRING		1
33	229073	GEAR LOCKING PIN		1
34	229030	ANTI VIBRATION PAD		1
35	219007	M6 FORM B WASHER		3
36	219008	M6 FORM G WASHER		1
37	219088	M6 NYLON INSERT NUT		4
38	229669	LOLINE HANDLE CABLE CLAMP		1
39	227577	REAR INNER HALF MOULDING		1
40	429132	600MM PAINTED HANDLE		1
41	215029	610MM HANDLE LOCKING ROD		1
42	208622	CONTROL PANEL OVERLAY Hi Lo		1
43	237429	TTB1840 & TTB4045 & TTB4055 FRONT COVER MOULDING HI LO (STANDARD MATERIAL)		1
44	227579	REAR COVER MOULDING		1
45	208469	TTB 1840 4 CORE LOOM ASSEMBLY		1
46	208609	TTB1840 STYLE CONTROL PCB		1
47	219407	M4 X 16MM LONG POZI PAN COUNTERSUNK SCREW	TIGHTEN TO 1Nm	2
48	219083	M4 NYLON INSERT NUT		2
49	208521	NYLON WASHER 10.0 OD X 4.1 ID X 1.0MM		2
50	208486	3 CORE HANDLE LOOM		1
51	229139	CABLE CLAMP		1
52	208496	P CLIP		2
53	321627	130mm BLACK LINK WIRE		1
54	219688	M4 FORM A STAINLESS STEEL WASHER		2
55	229009	BLANKING PLUG		1
56	900398	HANDLE CASTING MACHINED (HNS VERSION)		1
57	900397	MINI ADJUSTMENT GEAR		1
58	900396	ADJUSTMENT GEAR SPACER		2
59	291150	NO6 X 1 INCH LONG POZI PAN SCREW S/S		1
60	903260	BOLT AND NUT CAP		3

# Numatic International Spare Parts

Model No: TTB 1840 SQUEEGEE EXPLODED DRAWING ASSEMBLY

234807  
DRAWING: DRW-7011 ISS:A08  
28/06/2016



# Numatic International Spare Parts

Model No: TTB 1840 SQUEEGEE EXPLODED DRAWING ASSEMBLY

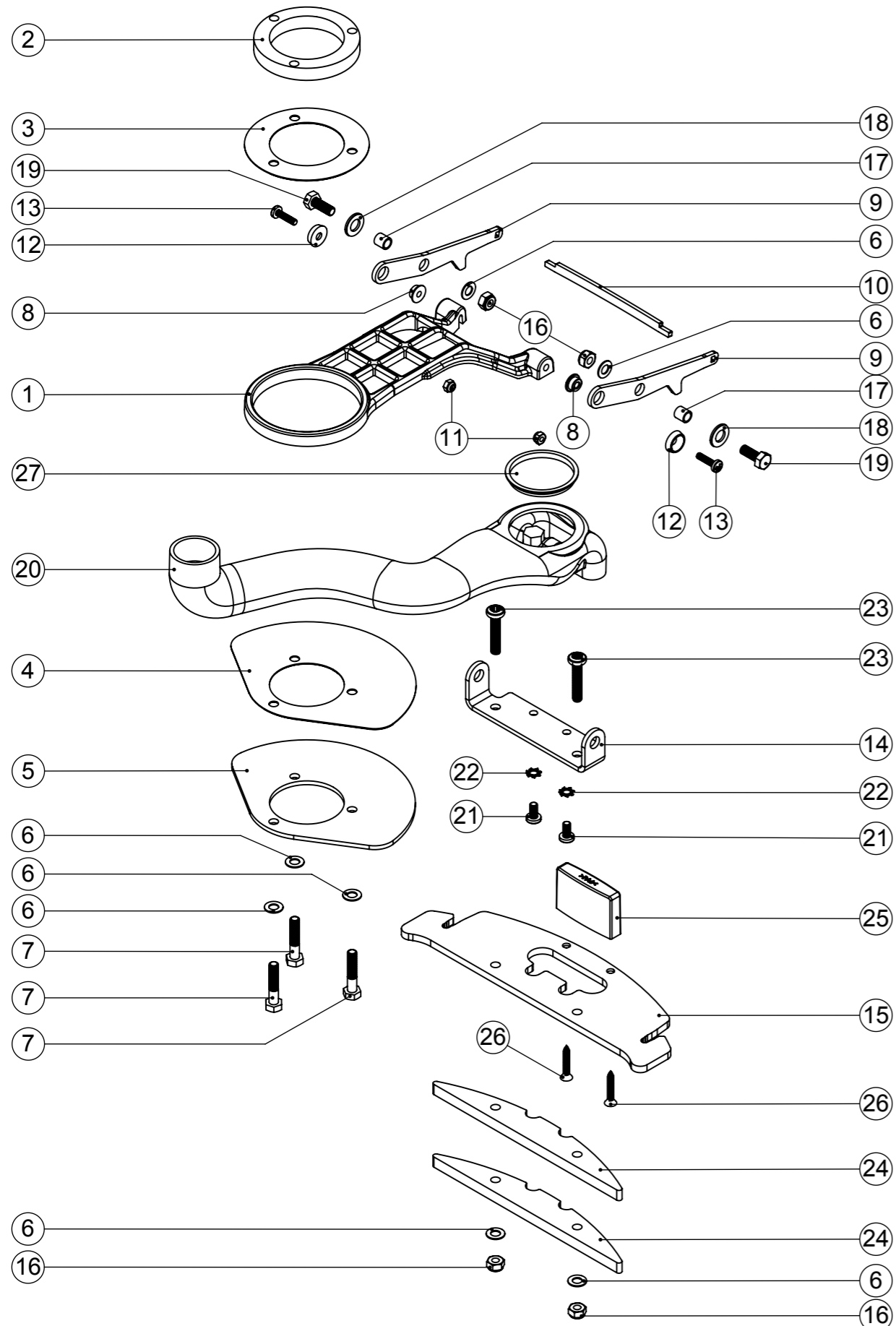
ITEM NO.	PART NO.	DESCRIPTION	QTY.
1	237235	TTB 1840 SQUEEGEE INNER MOULDING	1
2	237236	TTB 1840 SQUEEGEE OUTER MOULDING	1
3	903288	TTB 1840 SQUEEGEE FRONT BLADE	1
4	903291	TTB 1840 SQUEEGEE REAR BLADE	1
5	429130	TTB 1840 SQUEEGEE SIDE PLATE Z/PL	2
6	219568	NO8.3/4 INCH LG.POZI-PAN.SCREW.STAINLESS STEEL.PLASTITE	4
7	208610	TTB 1840 SQUEEGEE AXLE	3
8	208454	TTB 1840 SQUEEGEE WHEEL	3
9	291029	M5.20MM LG.HEX.SCREW S/S	4
10	208455	TTB 1840 SQUEEGEE KNOB	4
11	237266	BUFFER WHEEL	2
12	209077	SQUEEGEE SEAL EXTRUSION	1
13	208603	NYLON FINISHING WASHER (BLACK)	2
14	291053	3.5 X 12MM POZI PAN PLASTITE SCREW S/S	2



# Numatic International Spare Parts

Model No: SWING ARM ASSEMBLY EXPLODED DRAWING

234839  
DRAWING: DRW-10739 ISS:A07  
16/09/2015



# Numatic International Spare Parts

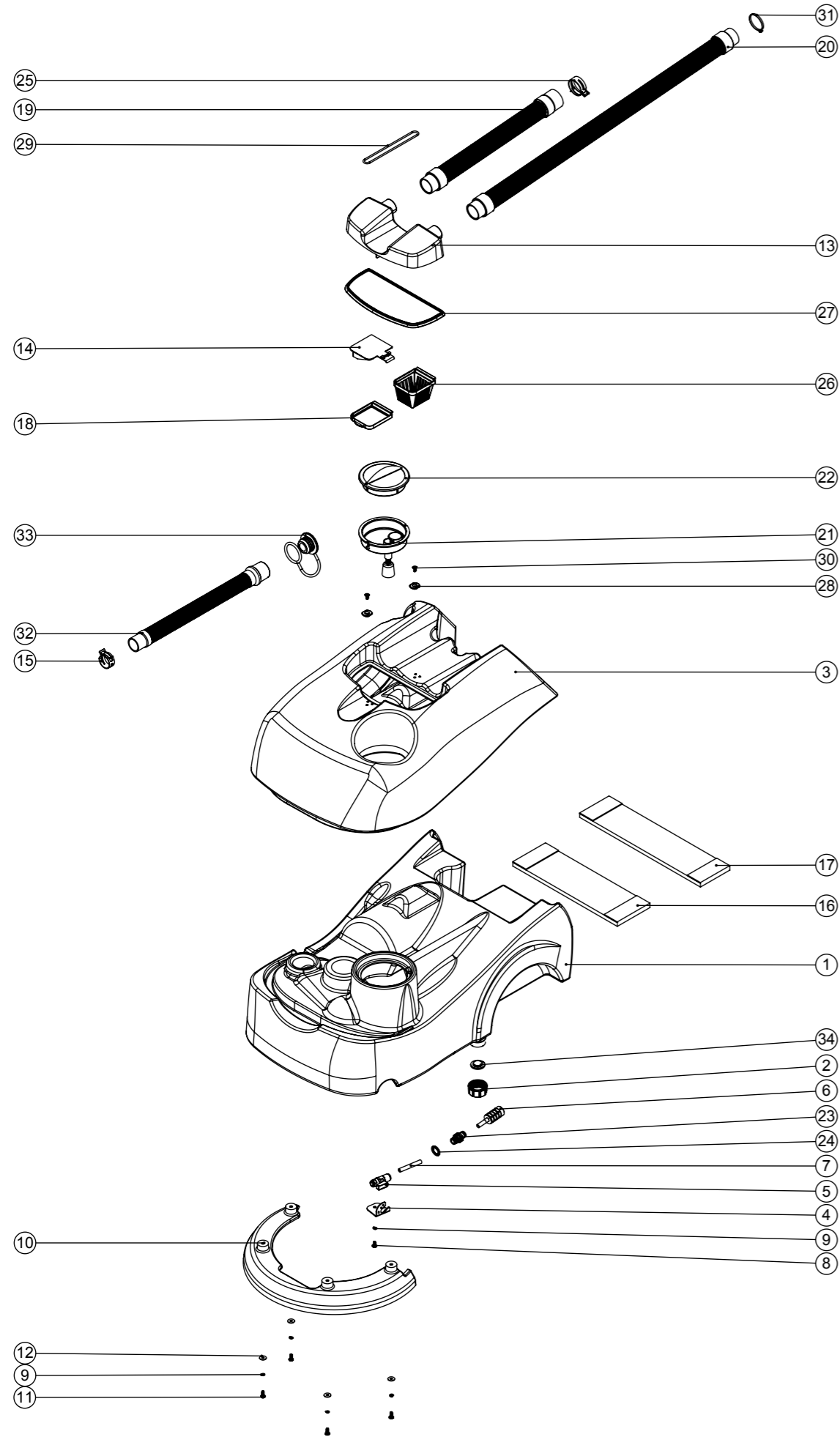
Model No: SWING ARM ASSEMBLY EXPLODED DRAWING

ITEM NO.	PART No.	DESCRIPTION	QTY.
1	429133	TTB 1840 SWING ARM PAINTED	1
2	208449	TTB 1840 SWING ARM CENTRE PIVOT	1
3	208491	TTB 1840 NYLON DISC	1
4	208482	TTB 1840 SWING ARM NYLON PLATE	1
5	429126	TTB 1840 SWING ARM BOTTOM PLATE	1
6	219560	M6 FORM B STAINLESS STEEL WASHER	7
7	291022	M6 X 30MM LONG STAINLESS STEEL HEXAGONAL HEAD BOLT	3
8	237265	PIVOT BUSH	2
9	392120	TT/TTB 1840 SQUEEGEE PIVOT ARM	2
10	392124	TTB 1840 SQUEEGEE LIFT PLATE	1
11	219687	M4 STAINLESS STEEL NYLON INSERT NUT	2
12	219573	SCREW INSULATOR	2
13	219862	M4 X 16MM LONG POZI PAN STAINLESS STEEL SCREW	2
14	392119	PIPE CONNECTING BRACKET	1
15	429129	TTB 1840 SQUEEGEE SKID PLATE	1
16	219642	M6 STAINLESS STEEL NYLON INSERT NUT	4
17	208475	8MM SPACER	2
18	219578	M8 FORM A STAINLESS STEEL WASHER	2
19	219719	M6 X 16MM LONG HEXAGONAL STAINLESS STEEL HEAD BOLT	2
20	903535	FLUID PIPE PROCESSED (GRAPHITE) (SALES USE 902531)	1
21	219668	M5 X 10MM LONG POZI PAN STAINLESS STEEL SCREW	2
22	291020	M5 STAINLESS STEEL EXTERNAL SHAKEPROOF LOCK WASHER	2
23	219984	M6 X 30MM LG POZI-PAN STAINLESS STEEL MACHINE SCREW	2
24	429131	TTB 1840 ADDITIONAL WEIGHT	2
25	237531	LOWER LIFT BLOCK	1
26	291086	No.8 X 1 A2 S/ST PZ COUNTER SUNK. SELF TAP TYPE AB	2
27	901880	PROTECTION PLUG DIA 43MM	1

# Numatic International Spare Parts

**Model No:** TTB 1840 TANK & SEPARATOR EXPLODED DRAWING ASSEMBLY

Internal Code: 234806  
 DRAWING: DRW-6988 ISS:A26  
 PRO 16/10/2017



# Numatic International Spare Parts

**Model No:** TTB 1840 TANK & SEPARATOR EXPLODED DRAWING ASSEMBLY

ITEM:	PART No:	DESCRIPTION	COMMENTS	QTY
1	237228	TTB 1840 CLEAN TANK		1
2	906415	CAP MOULDING	REPLACES 208448	1
3	240127	TTB 1840 TOP TANK (GRAPHITE)	BLUE VERSION 237229	1
4	392125	TTB 1840 TAP PLATE		1
5	216260	MINI BALL VALVE		1
6	303961	TANK FILTER ASSEMBLY		1
7	303960	TANK FILTER TUBE		1
8	219668	M5 X 10MM LONG POZI PAN STAINLESS STEEL SCREW		1
9	219861	M5 SINGLE COIL STAINLESS STEEL WASHER		5
10	237233	TTB 1840 DECK MOULDING		1
11	219740	M5 X 12MM LONG STAINLESS STEEL POZI PAN SCREW		4
12	219644	M5 FORM G STAINLESS STEEL WASHER		4
13	237230	TTB 1840 SEPARATOR MOULDING		1
14	237231	TTB 1840 SHUT OFF FLAP		1
15	208471	CONSTANT TENSION CLIP		1
16	208479	TTB 1840 FOAM PAD (100 X 320)		1
17	208478	TTB 1840 FOAM PAD (90 X 370)		1
18	237232	TTB 1840 AIR FILTER PANEL		1
19	213055	TTB 1840 VAC HOSE C/W CUFFS		1
20	213054	SUCTION HOSE		1
21	303985	TTB 1840 FILLER CAP ASSEMBLY		1
22	903544	FILLER CAP LID (RED)	GREY VERSION 237268	1
23	902109	8MM PUSH FIT BRASS BULKHEAD FITTING		1
24	208525	BONDED SEAL		1
25	208537	VAC HOSE CONSTANT TENSION CLIP		1
26	237411	TOP TANK FILTER		1
27	237418	TTB 1840 SEPARATOR SEAL MOULDING		1
28	903875	O RING CLIP MOULDING (RED)	BLACK VERSION 237397	2
29	208715	O RING (3mmDIA.95mm)		1
30	291008	M5 X 10MM LONG POZI PAN COUNTERSUNK STAINLESS STEEL SCREW		2
31	220138	BLACK CABLE TIE		1
32	208466	TTB 1840 DUMP HOSE		1
33	903325	32MM HOSE CAP RED		1
34	905467	SEALING BUNG		1

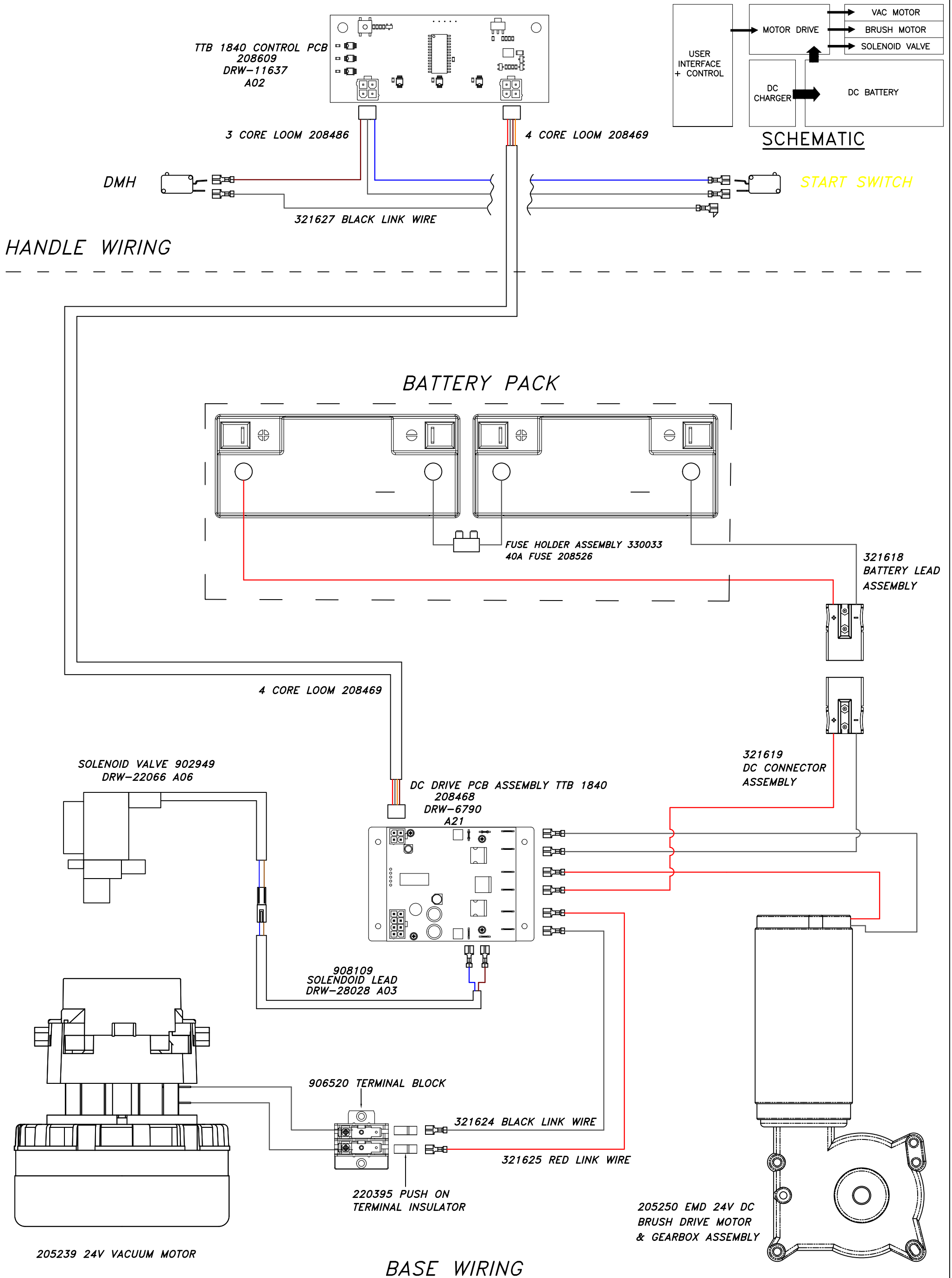
# WIRING DIAGRAM

Comp. No  
123363

DRG. No  
DRW-7279

## WIRING DIAGRAM.TWINTEC.1S.CL.UNI.NSF.NT.PLG

ISSUE	REVISION	DRAWN	APPD.	DATE
A17	UPDATED SOLENOID VALVE ASSEMBLY REF PROJ-1653	FP	MC	27:02:2018



# WIRING DIAGRAM

Comp. No  
123363

DRG. No  
DRW-7279

## WIRING DIAGRAM.TWINTEC.1S.CL.UNI.NSF.NT.PLG

ISSUE	REVISION	DRAWN	APPD.	DATE
A18	208468 PCB REVISION UPDATED REF PROJ-1967	FP	MC	08:08:2018

