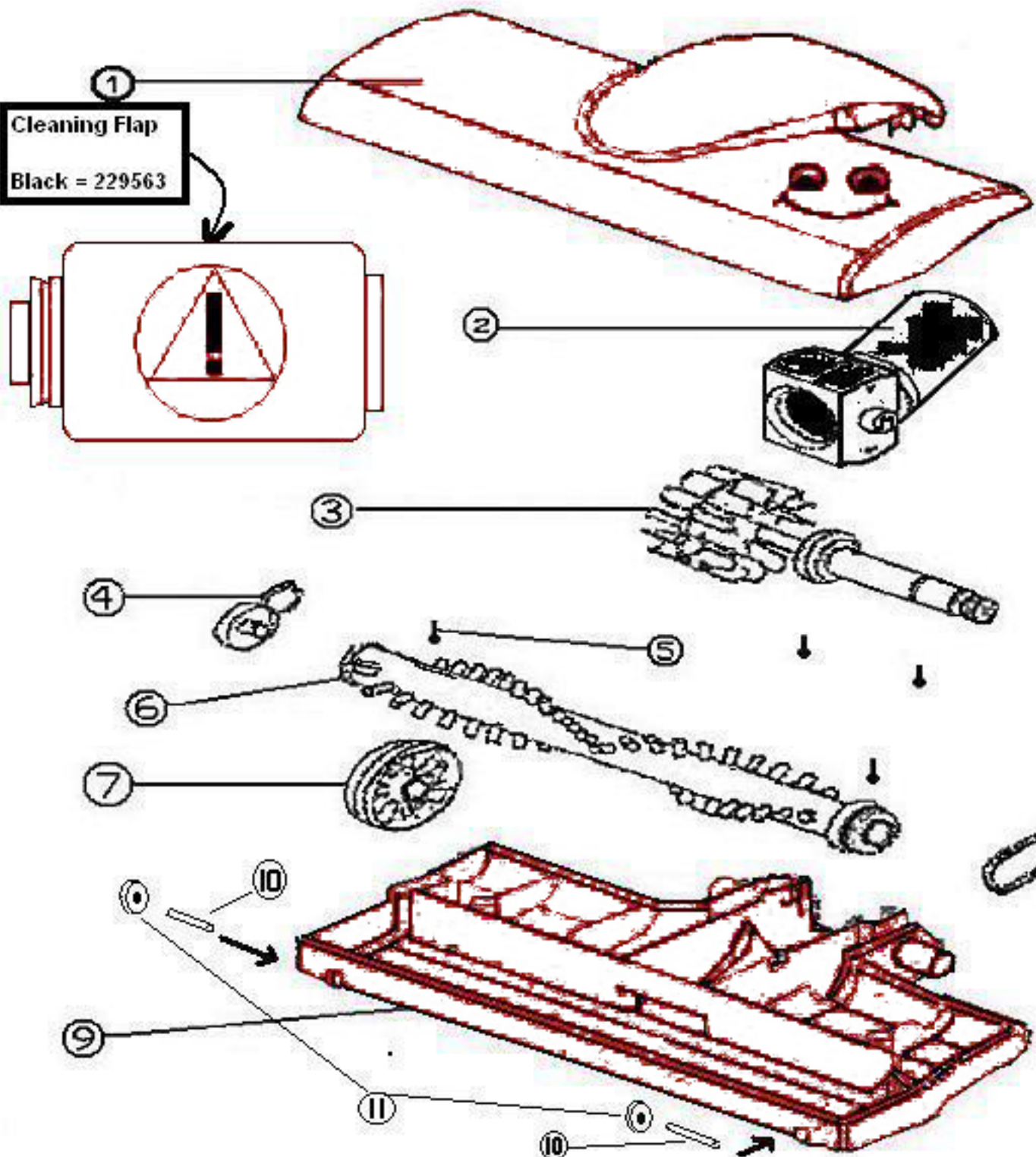


Cleaning Flap
Black = 229563

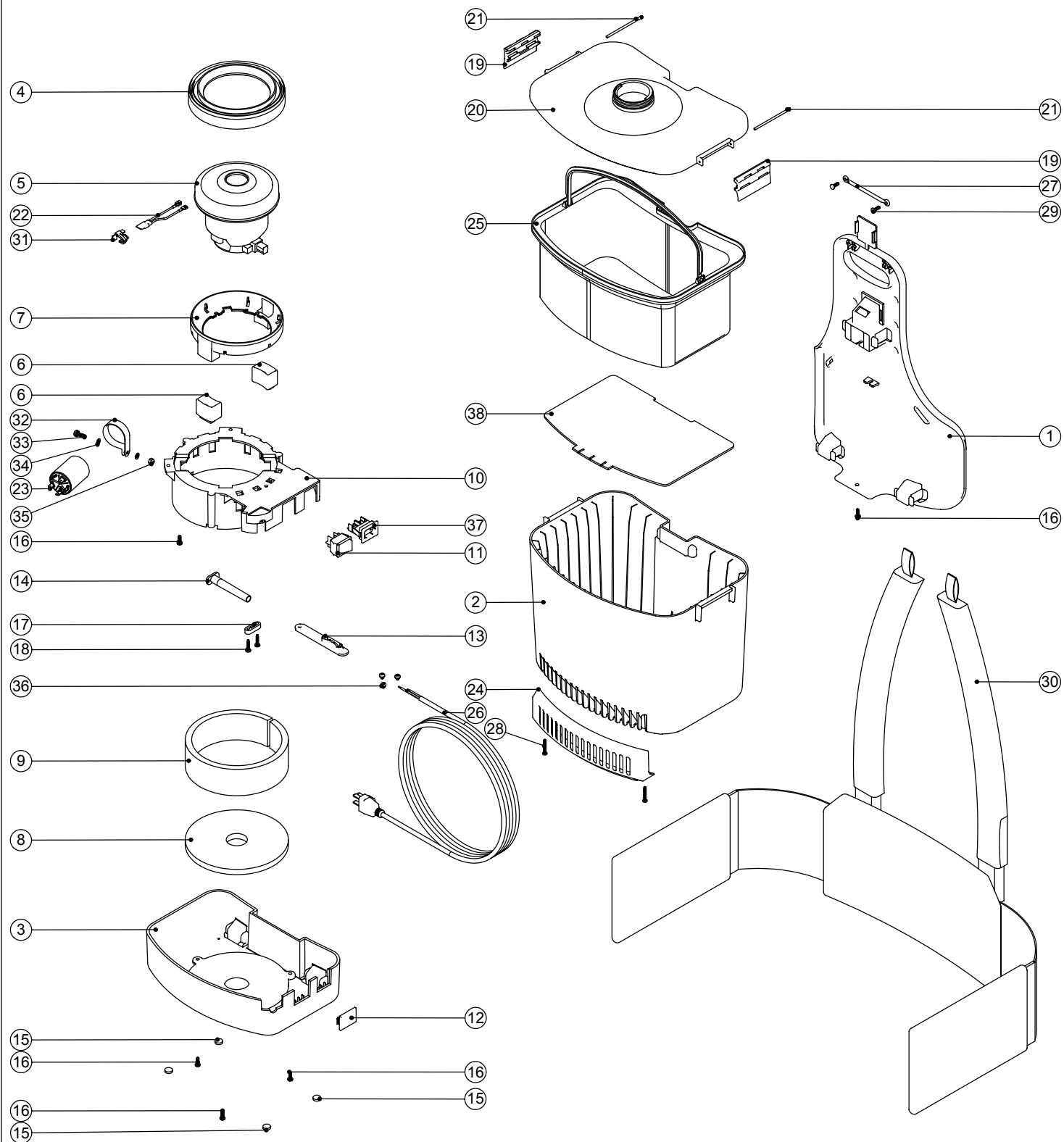


- 1. 217360, Top/Lid
 - 2. 217361. 32mm Neck
2A. 217356, 38mm Neck
 - 3. 217362, Turbine
 - 4. 217363, Brush bearing
 - 5. 217364, Screw 40x12
 - 6. 217365, Brush roll
 - 7. 217366, Wheel
 - 8. 217367, Drive belt
 - 9. 217368, Base mould red
 - 10. 217358, Axle pin
 - 11. 217357, Front wheel
- Turbo Airobrush**
(Black)
Pt No.
601227

Numatic International Spare Parts

Model No: RSV-130 (NACE - BAGLESS)

234235
DRAWING: EXP-0666 ISS:A01
07/04/2004



Numatic International Spare Parts

Model No: RSV-130 (NACE - BAGLESS)

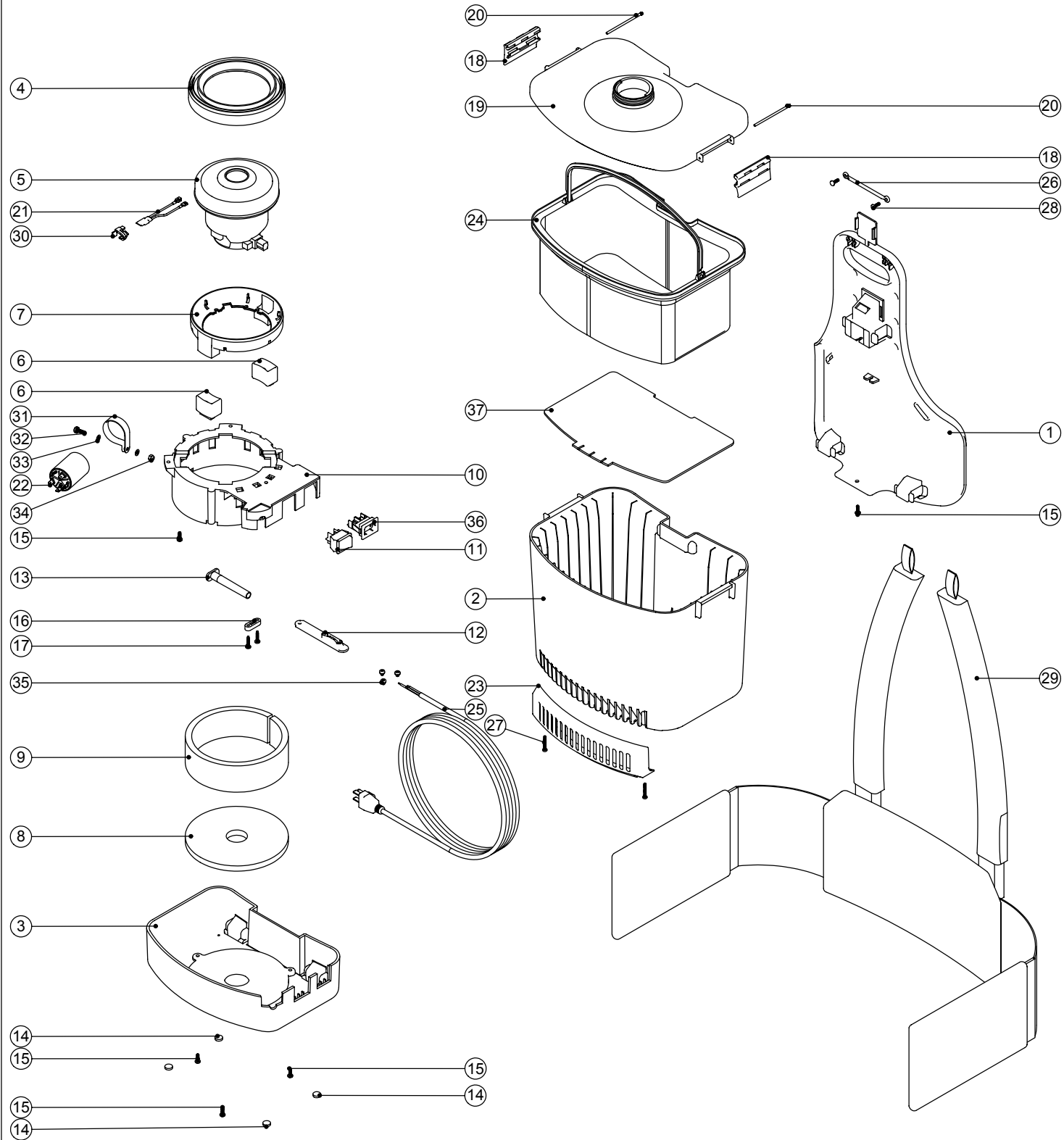
POS:	ITEM NO:	DESCRIPTION:	COMMENTS:
1	206504	BACK SUPPORT MOULDING (SHORT)	
2	328056	BODY MOULDING DARK GREY (PRINTED)	
3	227184	BASE MOULDING	
4	202065	BOTTOM MOTOR GASKET	
5	205075	120V MOTOR	
	205070	230V MOTOR	
6	202087	TOP MOUNTING RUBBER	
7	206420	ES MOTOR SPACER (BLACK)	
8	203016	TOP FELT	
9	203017	SIDE FELT	
10	325375	RSV MOTOR HOUSING (INSERTED & DRILLED)	
11	220552	RED ROCKER SWITCH	
12	206431	BLANKING PLATE	
13	301208	MODIFIED CABLE STRAIN RELIEF	
14	220923	STRESS RELIEF	
15	206322	RUBBER FOOT BLACK	
16	219101	No8 X 1/2 INCH LONG POZI PAN PLASTITE SCREW	
17	227008	BLACK CABLE CLAMP	
18	219107	No6 X 5/8 INCH LONG POZI PAN PLASTITE SCREW	
19	227186	TOGGLE MOULDING	
20	227183	LID MOULDING	
21	206326	TOGGLE PIN	
22	220929	BIMETALIC OVERLOAD ASSEMBLY	
23	226000	10 AMP SUPPRESSOR	120V MACHINES
	226400	SUPPRESSOR	230V MACHINES
24	227199	DIFFUSER MOULDING	
25	207111	FILTER ASSEMBLY	
26	250175	MAINS CABLE (12.5 METRE / 18 AWG / 3 WIRE / CSA PLUG)	
	220745	MAINS CABLE (15.5 METRE / 1MM THICK WIRE / 3 WIRE / EURO PLUG)	
27	206353	HARNESS PIN	
28	219602	No6 X 1 INCH LONG POZI PAN PLASTITE SCREW	
29	219601	No8 X 3/4 INCH LONG POZI PAN PLASTITE SCREW	
30	206462	RSV HARNESS ASSEMBLY	
31	206490	OVERLOAD CLIP	
32	229137	38MM P-CLIP	
33	219045	M5 X 16MM LONG POZI PAN SEMS SCREW	
34	219003	M5 FORM A STEEL WASHER	
35	219076	M5 NYLON INSERT NUT	
36	219090	M4 X 8MM LONG POZI PAN SEMS SCREW	
37	220130	PTO SOCKET	
38	325505	AIR INLET COVER (BAGLESS)	

Numatic International Spare Parts

Model No: RSV-130 & RSV-200 (NACE - BAGLESS)

234235

DRAWING: EXP-0666 ISS:A02
13/08/2004



Numatic International Spare Parts

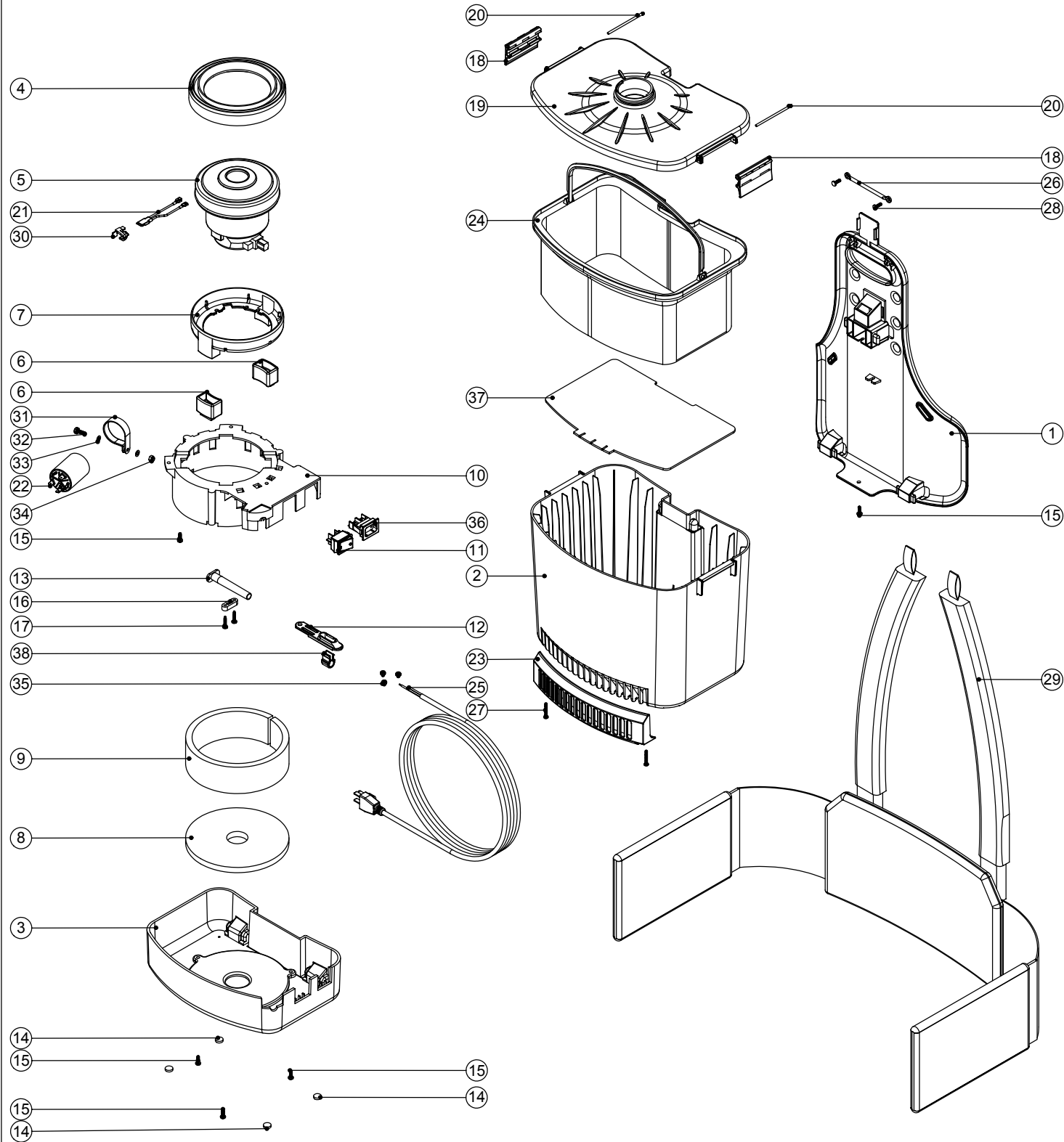
Model No: RSV-130 & RSV-200 (NACE - BAGLESS)

POS:	ITEM NO:	DESCRIPTION:	COMMENTS:
1	206504	BACK SUPPORT MOULDING (SHORT)	RSV-130
	206509	BACK SUPPORT MOULDING (LONG)	RSV-200
2	328056	BODY MOULDING DARK GREY (PRINTED)	RSV-130
	328057	BODY MOULDING DARK GREY (PRINTED)	RSV-200
3	227184	BASE MOULDING	
4	202065	BOTTOM MOTOR GASKET	
5	205075	120V MOTOR	
6	202087	TOP MOUNTING RUBBER	
7	206420	ES MOTOR SPACER (BLACK)	
8	203016	TOP FELT	
9	203017	SIDE FELT	
10	325375	RSV MOTOR HOUSING (INSERTED & DRILLED)	
11	220552	RED ROCKER SWITCH	
12	301208	MODIFIED CABLE STRAIN RELIEF	
13	220923	STRESS RELIEF	
14	206322	RUBBER FOOT BLACK	
15	219101	No8 X 1/2 INCH LONG POZI PAN PLASTITE SCREW	
16	227008	BLACK CABLE CLAMP	
17	219107	No6 X 5/8 INCH LONG POZI PAN PLASTITE SCREW	
18	227186	TOGGLE MOULDING	
19	227183	LID MOULDING	
20	206326	TOGGLE PIN	
21	220929	BIMETALIC OVERLOAD ASSEMBLY	
22	226000	10 AMP SUPPRESSOR	
23	227199	DIFFUSER MOULDING	
24	207111	FILTER ASSEMBLY	RSV-130
	207230	FILTER ASSEMBLY	RSV-200
25	250175	MAINS CABLE (12.5 METRE / 18 AWG / 3 WIRE / CSA PLUG)	
26	206353	HARNESS PIN	
27	219602	No6 X 1 INCH LONG POZI PAN PLASTITE SCREW	
28	219601	No8 X 3/8 INCH LONG POZI PAN PLASTITE SCREW	
29	206462	RSV HARNESS ASSEMBLY	
30	206490	OVERLOAD CLIP	
31	229137	38MM P-CLIP	
32	219045	M5 X 16MM LONG POZI PAN SEMS SCREW	
33	219003	M5 FORM A STEEL WASHER	
34	219076	M5 NYLON INSERT NUT	
35	219090	M4 X 8MM LONG POZI PAN SEMS SCREW	
36	220130	PTO SOCKET	
37	325505	AIR INLET COVER (BAGLESS)	

Numatic International Spare Parts

Model No: RSV-130 & RSV-200 (NACE - BAGLESS)

234235
DRAWING:EXP-0666 ISS:A03
13/10/2005



Numatic International Spare Parts

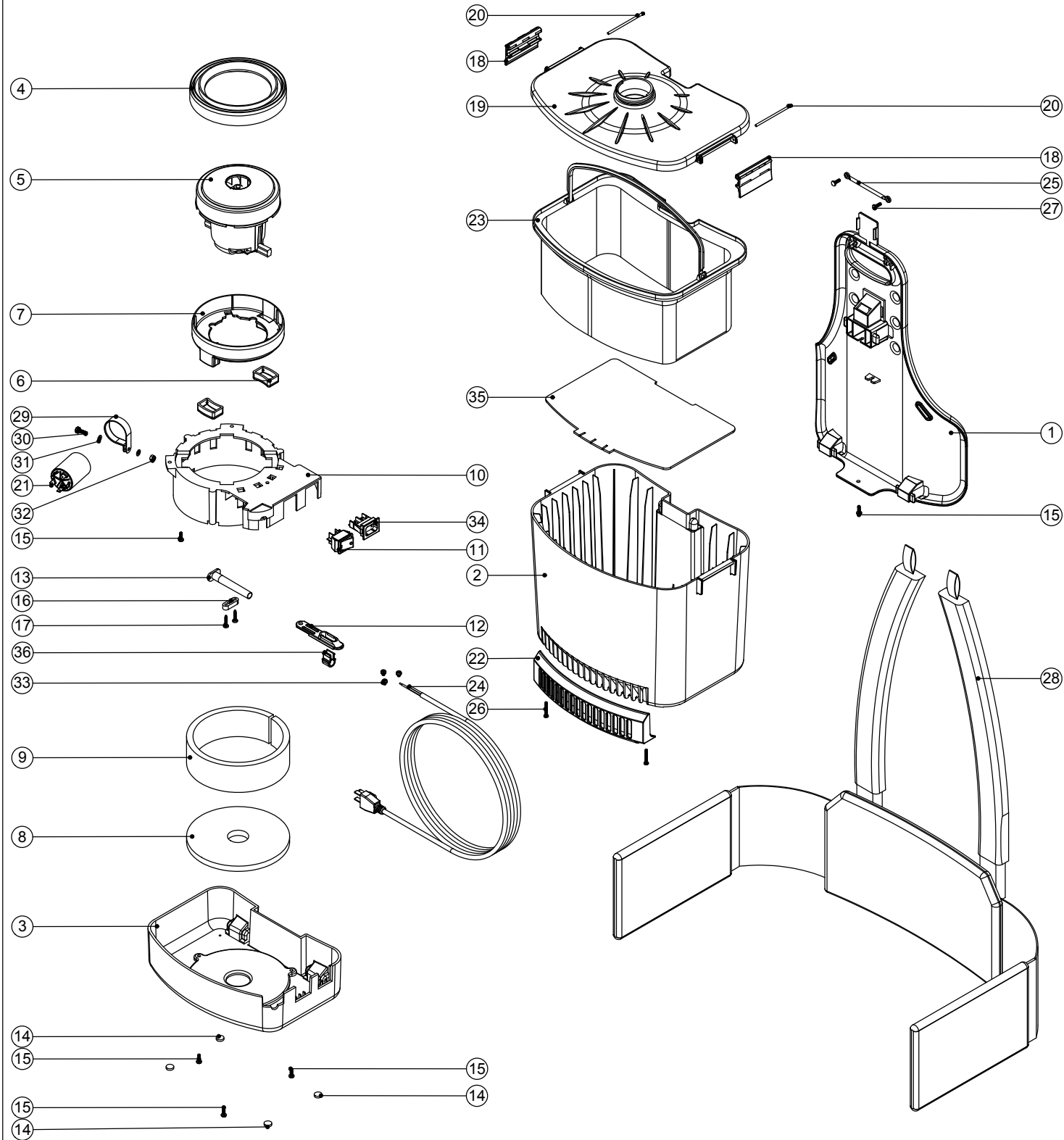
Model No: RSV-130 & RSV-200 (NACE - BAGLESS)

POS:	ITEM NO:	DESCRIPTION:	COMMENTS:
1	206504	BACK SUPPORT MOULDING (SHORT)	RSV-130 MACHINE
	206509	BACK SUPPORT MOULDING (LONG)	RSV-200 MACHINE
2	328964	ROYAL BLUE BODY MOULDING (PRINTED WHITE NACECARE)	RSV-130 MACHINE
	328965	ROYAL BLUE BODY MOULDING (PRINTED WHITE NACECARE)	RSV-200 MACHINE
3	227184	BASE MOULDING	
4	202065	BOTTOM MOTOR GASKET	
5	205075	120V MOTOR	
6	202087	TOP MOUNTING RUBBER	
7	206420	ES MOTOR SPACER (BLACK)	
8	203016	TOP FELT	
9	203017	SIDE FELT	
10	325375	RSV MOTOR HOUSING (INSERTED & DRILLED)	
11	220552	RED ROCKER SWITCH	
12	227636	STRAIN RELIEF	
13	220923	STRESS RELIEF	
14	206322	RUBBER FOOT BLACK	
15	219101	No8 X 1/2 INCH LONG POZI PAN PLASTITE SCREW	
16	227008	BLACK CABLE CLAMP	
17	219107	No6 X 5/8 INCH LONG POZI PAN PLASTITE SCREW	
18	227186	TOGGLE MOULDING	
19	227183	LID MOULDING	
20	206326	TOGGLE PIN	
21	220929	BIMETALIC OVERLOAD ASSEMBLY	
22	226000	10 AMP SUPPRESSOR	
23	227199	DIFFUSER MOULDING	
24	207111	FILTER ASSEMBLY	RSV-130 MACHINE
	207998	FILTER ASSEMBLY	RSV-200 MACHINE
25	250175	MAINS CABLE (12.5 METRE / 18 AWG / 3 WIRE / CSA PLUG)	
26	206353	HARNESS PIN	
27	219602	No6 X 1 INCH LONG POZI PAN PLASTITE SCREW	
28	219601	No8 X 3/8 INCH LONG POZI PAN PLASTITE SCREW	
29	206462	RSV HARNESS ASSEMBLY	
30	206490	OVERLOAD CLIP	
31	229137	38MM P-CLIP	
32	219045	M5 X 16MM LONG POZI PAN SEMS SCREW	
33	219003	M5 FORM A STEEL WASHER	
34	219076	M5 NYLON INSERT NUT	
35	219090	M4 X 8MM LONG POZI PAN SEMS SCREW	
36	220130	PTO SOCKET	
37	325505	AIR INLET COVER (BAGLESS)	
38	227637	CABLE CLIP	

Numatic International Spare Parts

Model No: RSV130-1 & RSV200-1 (NACE - BAGLESS)

234235
DRAWING:EXP-0666 ISS:A04
19/1/2006



Numatic International Spare Parts

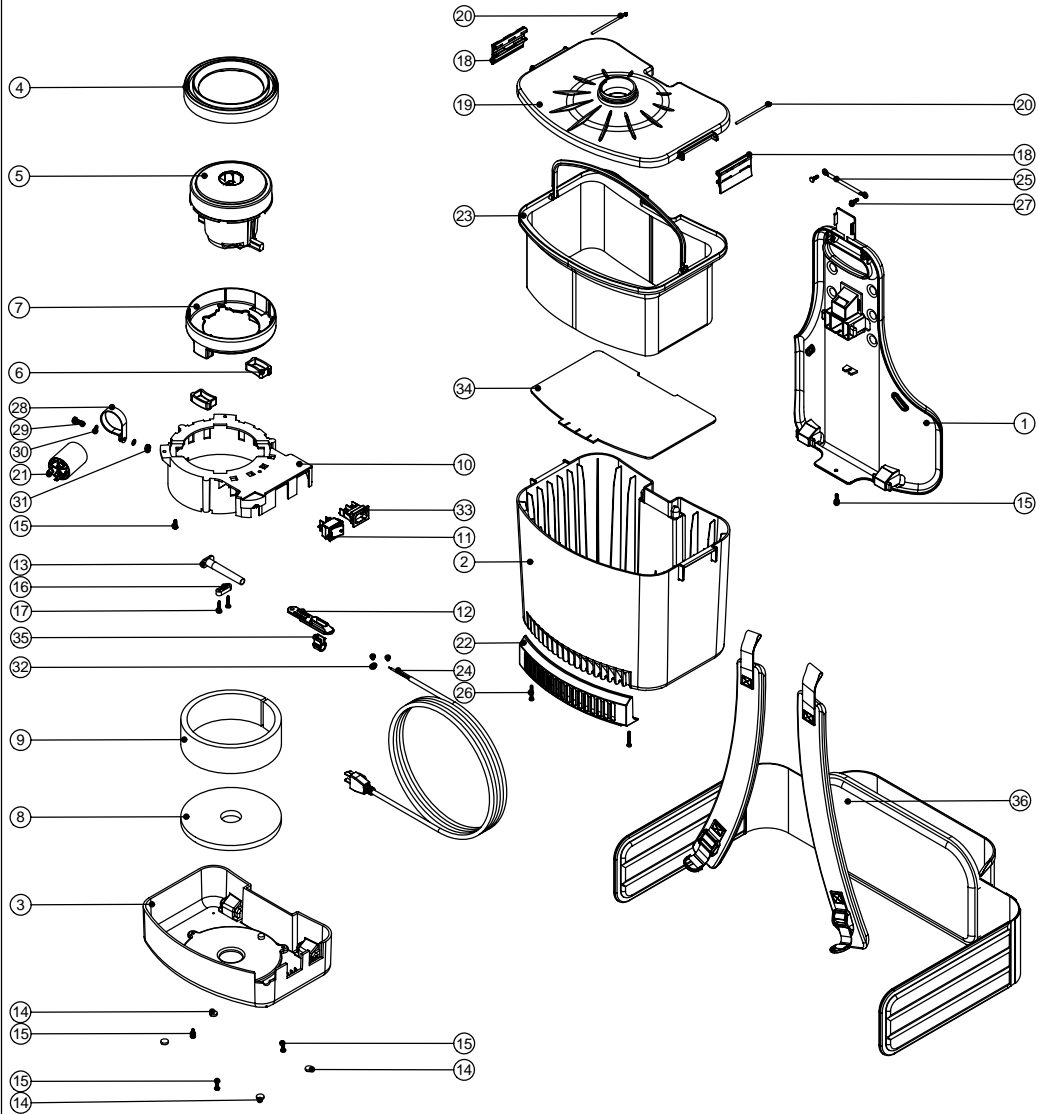
Model No: RSV130-1 & RSV200-1 (NACE - BAGLESS)

POS:	ITEM NO:	DESCRIPTION:	COMMENTS:
1	206504	BACK SUPPORT MOULDING (SHORT)	RSV-130 MACHINE
	206509	BACK SUPPORT MOULDING (LONG)	RSV-200 MACHINE
2	328964	ROYAL BLUE BODY MOULDING (PRINTED WHITE NACECARE)	RSV-130 MACHINE
	328965	ROYAL BLUE BODY MOULDING (PRINTED WHITE NACECARE)	RSV-200 MACHINE
3	227184	BASE MOULDING	
4	202065	BOTTOM MOTOR GASKET	
5	205413	120V 1 STAGE THRO FLOW CUP MOTOR (DL11101T) TCO	
6	227885	MOUNTING RUBBER	
7	229514	MOTOR SPACER (CUP MOTOR)	
8	203016	TOP FELT	
9	203017	SIDE FELT	
10	325375	RSV MOTOR HOUSING (INSERTED & DRILLED)	
11	220552	RED ROCKER SWITCH	
12	227636	STRAIN RELIEF	
13	220923	STRESS RELIEF	
14	206322	RUBBER FOOT BLACK	
15	219101	No8 X 1/2 INCH LONG POZI PAN PLASTITE SCREW	
16	227008	BLACK CABLE CLAMP	
17	219107	No6 X 5/8 INCH LONG POZI PAN PLASTITE SCREW	
18	227186	TOGGLE MOULDING	
19	227183	LID MOULDING	
20	206326	TOGGLE PIN	
	207998	FILTER ASSEMBLY	RSV-200 MACHINE
21	226000	10 AMP SUPPRESSOR	
22	227199	DIFFUSER MOULDING	
23	207111	FILTER ASSEMBLY	RSV-130 MACHINE
24	250175	MAINS CABLE (12.5 METRE / 18 AWG / 3 WIRE / CSA PLUG)	
25	206353	HARNESS PIN	
26	219602	No6 X 1 INCH LONG POZI PAN PLASTITE SCREW	
27	219601	No8 X 3/8 INCH LONG POZI PAN PLASTITE SCREW	
28	206462	RSV HARNESS ASSEMBLY	
29	229137	38MM P-CLIP	
30	219045	M5 X 16MM LONG POZI PAN SEMS SCREW	
31	219003	M5 FORM A STEEL WASHER	
32	219076	M5 NYLON INSERT NUT	
33	219090	M4 X 8MM LONG POZI PAN SEMS SCREW	
34	220130	PTO SOCKET	
35	325505	AIR INLET COVER (BAGLESS)	
36	227637	CABLE CLIP	

Numatic International Spare Parts

Model No: RSV130-1 & RSV200-1 (NACE - BAGLESS)

234235
DRAWING:EXP-0666 ISS:A05
12/06/2008



Numatic International Spare Parts

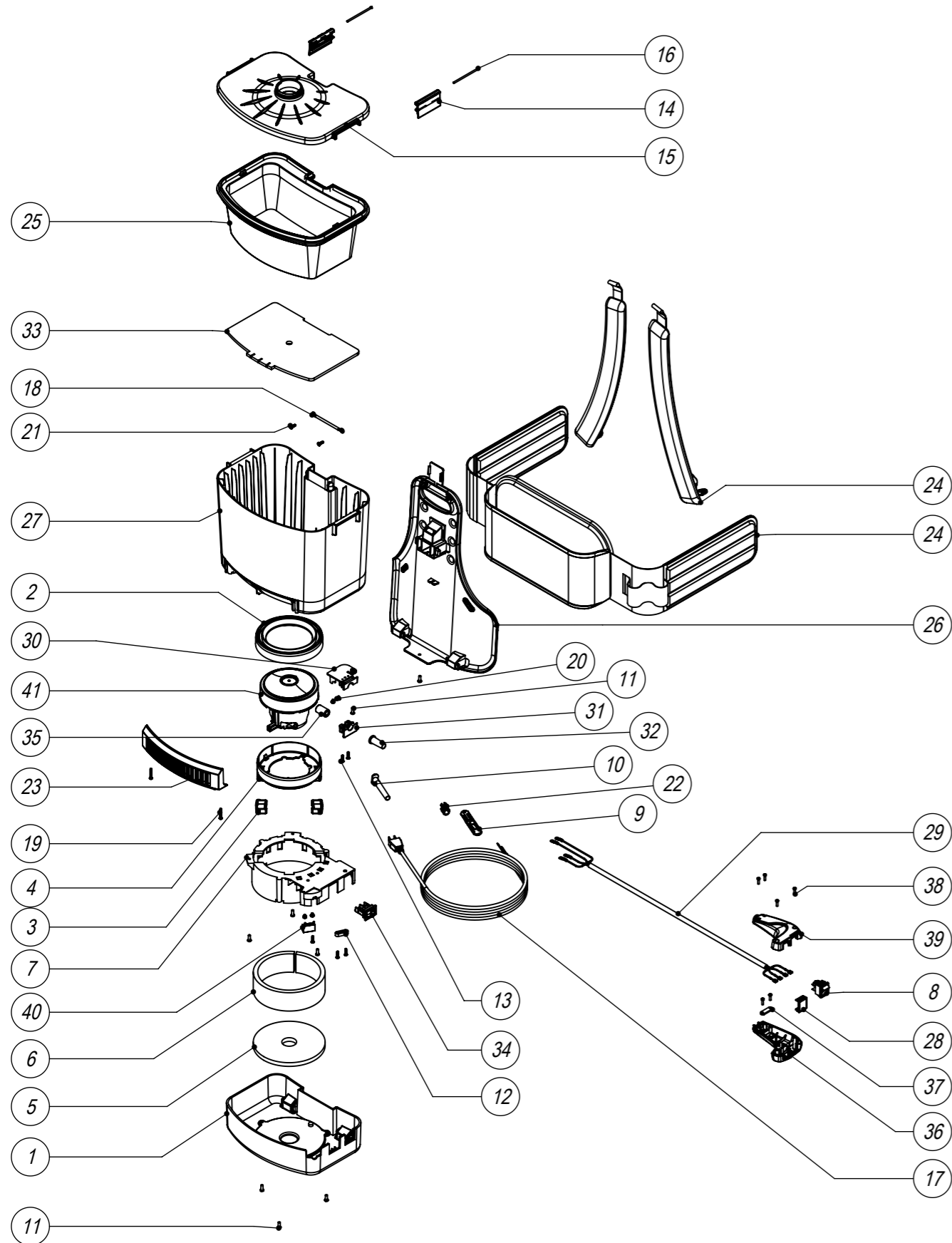
Model No: RSV130-1 & RSV200-1 (NACE - BAGLESS)

POS.	ITEM NO.	DESCRIPTION:	COMMENTS:
1	206504	BACK SUPPORT MOULDING (SHORT)	RSV-130 MACHINE
	206509	BACK SUPPORT MOULDING (LONG)	RSV-200 MACHINE
2	328964	ROYAL BLUE BODY MOULDING (PRINTED WHITE NACECARE)	RSV-130 MACHINE
	328965	ROYAL BLUE BODY MOULDING (PRINTED WHITE NACECARE)	RSV-200 MACHINE
3	227184	BASE MOULDING	
4	202065	BOTTOM MOTOR GASKET	
5	205413	120V 1 STAGE THRO FLOW CUP MOTOR (DL11101T) TCO	
6	227885	MOUNTING RUBBER	
7	229514	MOTOR SPACER (CUP MOTOR)	
8	203016	TOP FELT	
9	203017	SIDE FELT	
10	325375	RSV MOTOR HOUSING (INSERTED & DRILLED)	
11	220552	RED ROCKER SWITCH	
12	227636	STRAIN RELIEF	
13	220923	STRESS RELIEF	
14	206322	RUBBER FOOT BLACK	
15	219101	No8 X 1/2 INCH LONG POZI PAN PLASTITE SCREW	
16	227008	BLACK CABLE CLAMP	
17	219107	No6 X 5/8 INCH LONG POZI PAN PLASTITE SCREW	
18	227186	TOGGLE MOULDING	
19	227183	LID MOULDING	
20	206326	TOGGLE PIN	
	207998	FILTER ASSEMBLY	RSV-200 MACHINE
21	226000	10 AMP SUPPRESSOR	
22	227199	DIFFUSER MOULDING	
23	207111	FILTER ASSEMBLY	RSV-130 MACHINE
24	250175	MAINS CABLE (12.5 METRE / 18 AWG / 3 WIRE / CSA PLUG)	
25	206353	HARNESS PIN	
26	219602	No6 X 1 INCH LONG POZI PAN PLASTITE SCREW	
27	219601	No8 X 3/8 INCH LONG POZI PAN PLASTITE SCREW	
28	229137	38MM P-CLIP	
29	219045	M5 X 16MM LONG POZI PAN SEMS SCREW	
30	219003	M5 FORM A STEEL WASHER	
31	219076	M5 NYLON INSERT NUT	
32	219090	M4 X 8MM LONG POZI PAN SEMS SCREW	
33	220130	PTO SOCKET	
34	325505	AIR INLET COVER (BAGLESS)	
35	227637	CABLE CLIP	
36	206462	RSV HARNESS ASSEMBLY	

Numatic International Spare Parts

Model No: HEAD STYLE 6 - 130 REMOTE SWITCH (120V) EXPLODED DIAGRAM

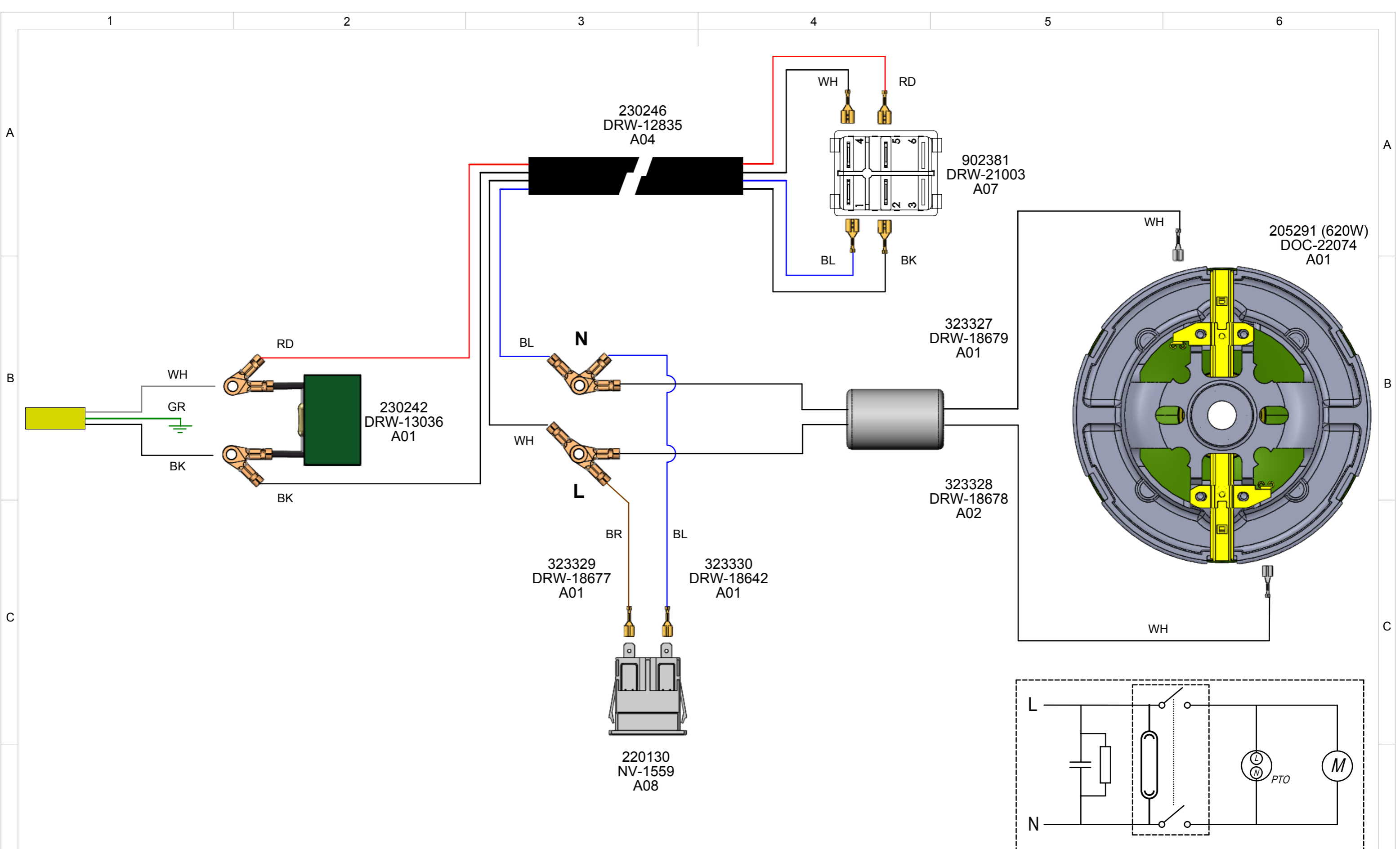
Internal Code: N/A
 DRAWING: DRW-28143 ISS:A01
 PRO 27/02/2018



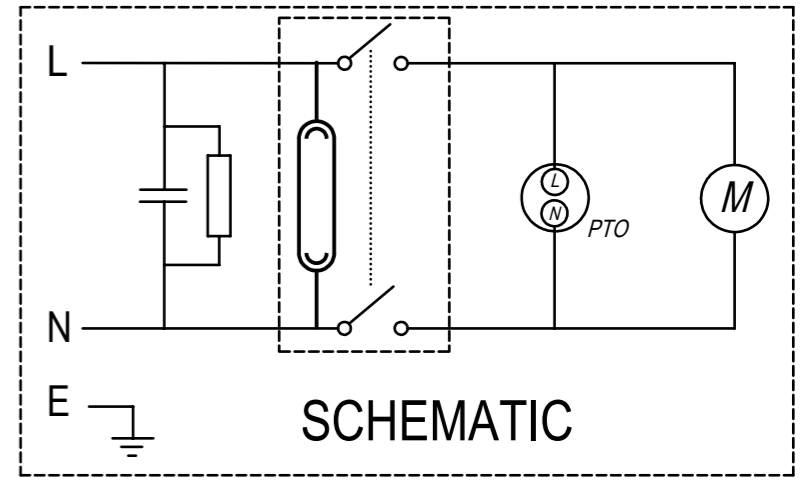
Numatic International Spare Parts

Model No: HEAD STYLE 6 - 130 REMOTE SWITCH (120V) EXPLODED DIAGRAM

ITEM:	PART No:	Description	QTY.	Comments
1	227184	BASE MOULDING	1	
2	202065	BOTTOM MOTOR GASKET	1	
3	227885	MOUNTING RUBBER	2	
4	229514	MOTOR SPACER (CUP MOTOR)	1	
5	203016	TOP FELT	1	
6	203017	SIDE FELT	1	
7	325025	BLACK MOTOR HOUSING MOULDING	1	
8	902381	ILLUMINATED RED ROCKER SWITCH (WHITE PRINT) 0-1	1	
9	227636	STRAIN RELIEF	1	
10	220923	STRESS RELIEF	1	
11	291152	NO8.1/2 INCH LG.T20.SCREW.Z/PL.PLASTITE	8	
12	227008	BLACK CABLE CLAMP	1	
13	219107	NO6.5/8 INCH LG.POZI-PAN.SCREW.Z/PL.PLASTITE	5	
14	227186	TOGGLE MOULDING	2	
15	227183	LID MOULDING	1	
16	206326	TOGGLE PIN	2	
17	250175	MAINS CABLE (12.5 METRE / 18 AWG / 3 WIRE / CSA PLUG)	1	
18	206353	HARNESS PIN	1	
19	219602	No6 X 1 INCH LONG POZI PAN PLASTITE SCREW (Z/PL)	2	
20	219090	M4 X 8MM LONG POZI PAN SEMS SCREW	4	
21	219601	No8 X 3/8 INCH LONG POZI PAN PLASTITE SCREW	2	
22	227637	CABLE CLIP	1	
23	227199	DIFFUSER MOULDING (BEC)	1	
24	206462	RSV HARNESS ASSEMBLY	1	
25	207130	RSV 130 FILTER RING & CLOTH (GREY)	1	
26	206504	BACK SUPPORT MOULDING (SHORT)	1	
27	328964	ROYAL BLUE BODY MOULDING (PRINTED WHITE NACECARE)	1	
28	237082	BLANKING PLUG - ROCKER SWITCH	1	
29	230246	LOOM ASSEMBLY.4.CRT	1	
30	321959	RSV REMOTE SWITCH BOTTOM CABLE CLAMP ASSEMBLY	1	
31	237460	RSV REMOTE SWITCH CABLE CLAMP TOP	1	
32	220015	STRESS RELIEF	1	
33	325505	AIR INLET COVER (BAGLESS)	1	
34	220130	PTO SOCKET	1	
35	230097	AXIAL FERRITE BEAD	1	
36	237722	RSV/RSB REMOTE SWITCH HOLDER - LH SIDE	1	
37	392305	REMOTE CABLE CLAMP	1	
38	291096	T15 TORX PAN SCREW #6 X 1/2"	6	
39	237723	RSV/RSB REMOTE SWITCH HOLDER - RH SIDE	1	
40	230242	RSV REMOTE CABLE SUPPRESSOR (120V)	1	
41	205291	120V SINGLE STAGE THRO FLOW FAN MOTOR (DL1651T) TCO (620)	1	



KEY:
 Wire Colours: BK-Black, GR-Green, RD-Red, WH-White, BL-Blue, BR-Brown



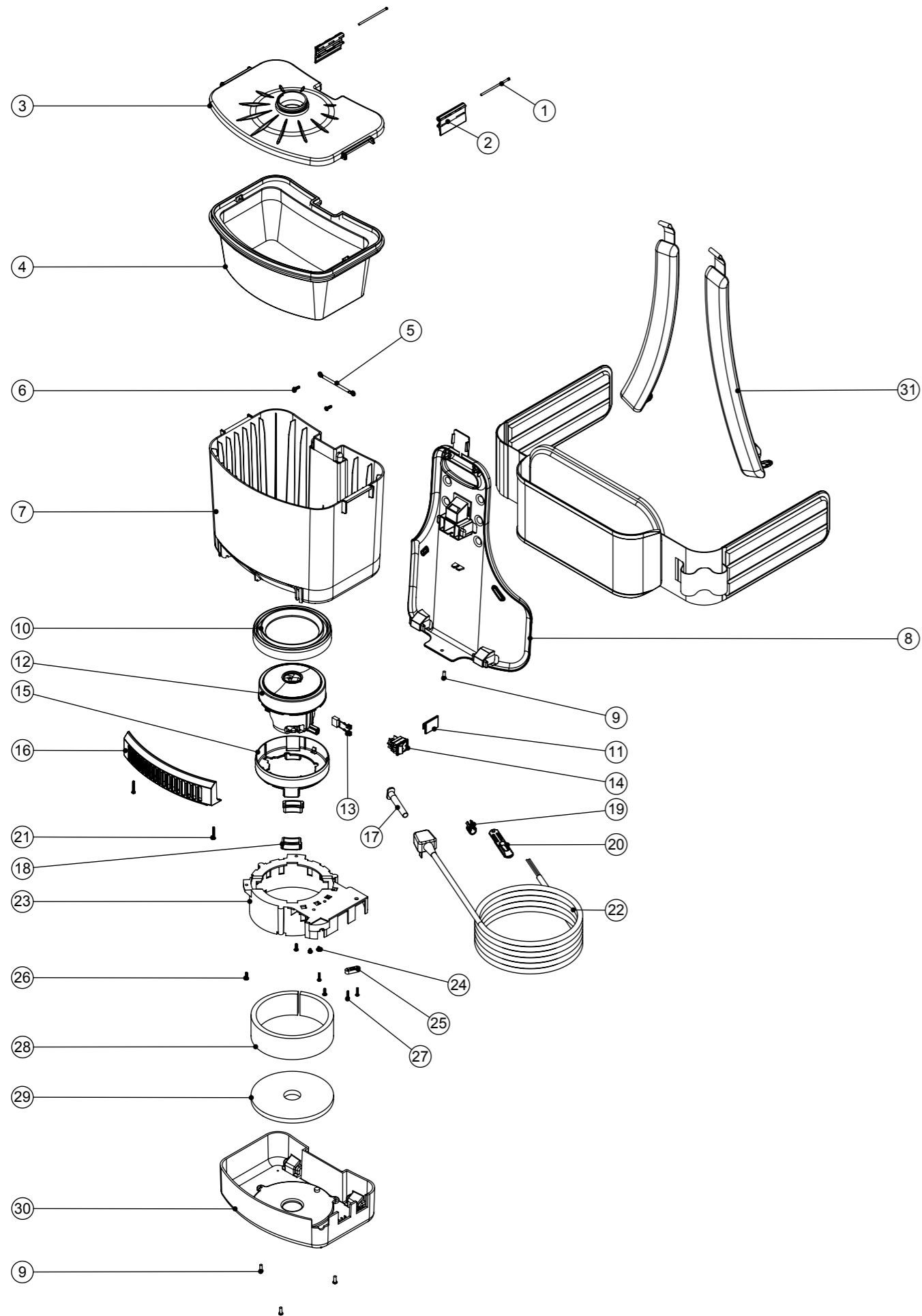
Qualification of alternative supplier components upon submission of appropriate data sheets and approvals documentation	ASSEMBLY TO BE RoHS COMPLIANT	DIMENSIONS IN MILLIMETERS	TOLERANCES +10 / -5 mm UNLESS OTHERWISE STATED	PRINT SIZE A3 NOT TO SCALE	Class: CLASS II	Cable Eye Plate:	Special Approvals Req.:	Numatic International Limited	TITLE: WIRING DIAGRAM.VACUUM.1S.3W.120.1SDAF.620.1.RS.HRD		
CHANGE DETAIL: NEW DRAWING REF ECO19445				Internal Code: TB	DRAWN: AM	APPROVED: MMC	DATE: 27/02/2018	THIS DRAWING IS COPYRIGHT AND IS THE PROPERTY OF NUMATIC INTERNATIONAL LTD. AND MUST NOT BE USED WITHOUT THEIR KNOWLEDGE NOR COMMUNICATED TO ANY PERSON OR COMPANY	ITEM No. 901958	DRG No. DRW-20715	REVISION No. A04

Numatic International Spare Parts

Model No: HEAD STYLE 6 - 130/200 (120V) EXPLODED DIAGRAM

Models: RSV 130/RSV 200

234104
DRAWING: EXP-0535 ISS:A06
04/11/2012



Numatic International Spare Parts

Model No: HEAD STYLE 6 - 130/200 (120V) EXPLODED DIAGRAM

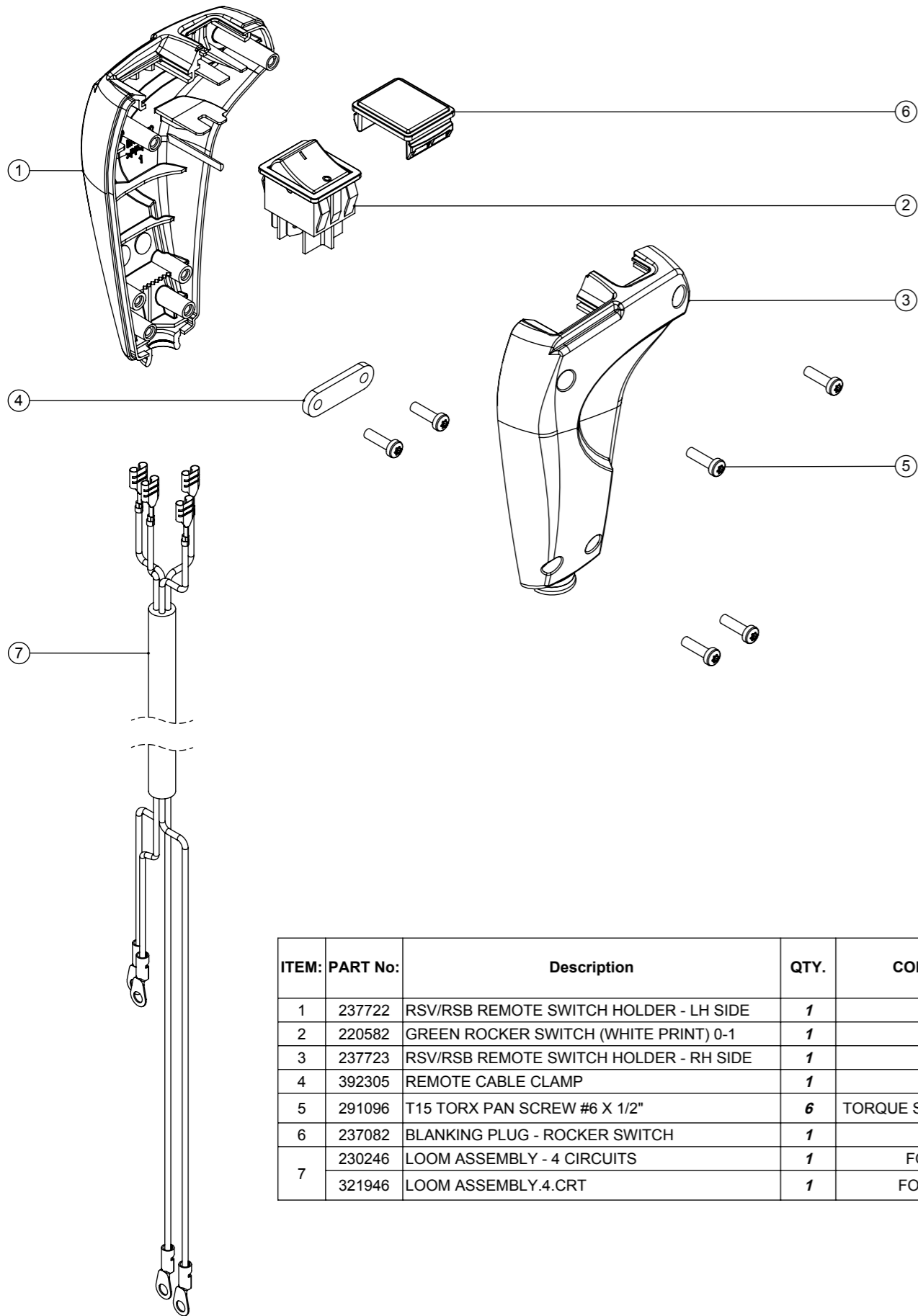
ITEM:	PART No:	DESCRIPTION	QTY.	COMMENTS
1	206326	TOGGLE PIN	2	
2	227186	TOGGLE MOULDING	2	
3	227183	LID MOULDING	1	
4	604914	MICROTEX RSV 130 FILTER	1	RSV-130 MACHINE
	604911	MICROTEX RSV 200 FILTER	1	RSV-200 MACHINE
5	206353	HARNESS PIN	1	
6	219601	No8 X 3/8 INCH LONG POZI PAN PLASTITE SCREW	2	
7	328964	ROYAL BLUE BODY MOULDING (PRINTED WHITE NACECARE)	1	RSV-130 MACHINE
	328965	ROYAL BLUE BODY MOULDING (PRINTED WHITE NACECARE)	1	RSV-200 MACHINE
8	206504	BACK SUPPORT MOULDING (SHORT)	1	RSV-130 MACHINE
	206509	BACK SUPPORT MOULDING (LONG)	1	RSV-200 MACHINE
9	291095	TORX PAN #8 x 1_2"	4	
10	202065	BOTTOM MOTOR GASKET	1	
11	206431	BLANKING PLATE	1	
12	205291	120V SINGLE STAGE THRO FLOW FAN MOTOR (DL1651T) TCO (620))	1	MOTOR 600W (120V) (DL1651T)
13	230136	SUPPRESSOR ASSEMBLY	1	
14	220582	GREEN ROCKER SWITCH (WHITE PRINT) 0-1	1	
15	229514	MOTOR SPACER (CUP MOTOR)	1	
16	227199	DIFFUSER MOULDING (BEC)	1	
17	220923	STRESS RELIEF	1	
18	227885	MOUNTING RUBBER	2	
19	227637	CABLE CLIP	1	
20	227636	STRAIN RELIEF	1	
21	219602	No6 X 1 INCH LONG POZI PAN PLASTITE SCREW (Z/PL)	2	
22	250175	MAINS CABLE (12.5 METRE / 18 AWG / 3 WIRE / CSA PLUG)	1	
23	325025	BLACK MOTOR HOUSING MOULDING	1	
24	219090	M4 X 8MM LONG POZI PAN SEMS SCREW	2	
25	227008	BLACK CABLE CLAMP	1	
26	219101	No8 X 1/2 INCH LONG POZI PAN PLASTITE SCREW	3	
27	219107	No6 X 5/8 INCH LONG POZI PAN PLASTITE SCREW	3	
28	203017	SIDE FELT	1	
29	203016	TOP FELT	1	
30	227184	BASE MOULDING	1	
31	206462	RSV HARNESS ASSEMBLY	1	

Numatic International Spare Parts

Model No: RSV/RSB REMOTE SWITCH HOLDER - EXPLODED DIAGRAM

1
DRAWING: DRW-18516 ISS:A01
03/12/2014

RSV

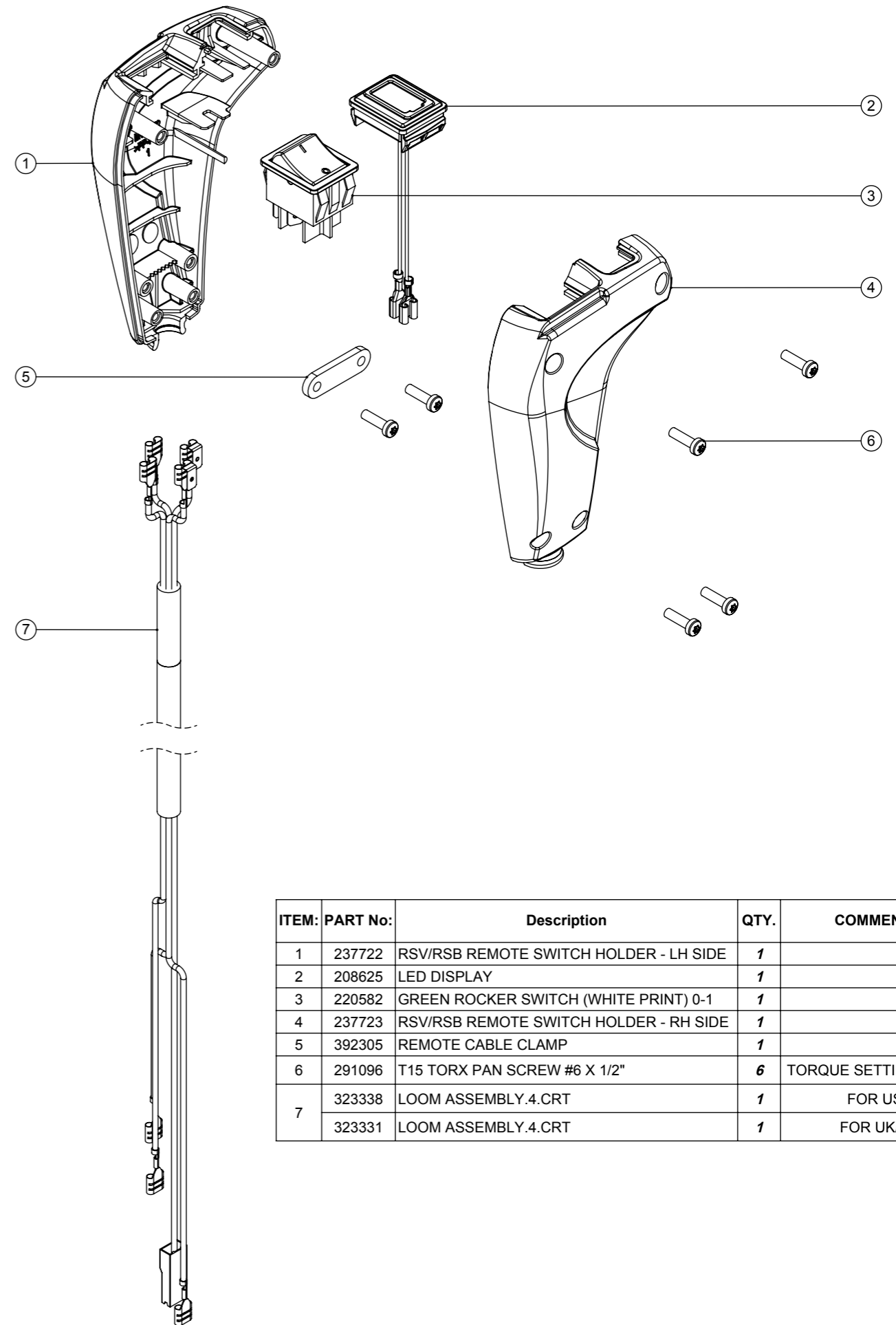


ITEM:	PART No:	Description	QTY.	COMMENTS:
1	237722	RSV/RSB REMOTE SWITCH HOLDER - LH SIDE	1	
2	220582	GREEN ROCKER SWITCH (WHITE PRINT) 0-1	1	
3	237723	RSV/RSB REMOTE SWITCH HOLDER - RH SIDE	1	
4	392305	REMOTE CABLE CLAMP	1	
5	291096	T15 TORX PAN SCREW #6 X 1/2"	6	TORQUE SETTING 1.65Nm
6	237082	BLANKING PLUG - ROCKER SWITCH	1	
7	230246	LOOM ASSEMBLY - 4 CIRCUITS	1	FOR USA
	321946	LOOM ASSEMBLY.4.CRT	1	FOR UK/EU

Numatic International Spare Parts

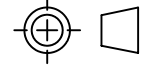
Model No: RSV/RSB REMOTE SWITCH HOLDER - EXPLODED DIAGRAM

RSB

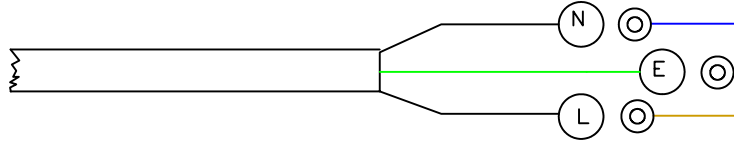


ITEM:	PART No:	Description	QTY.	COMMENTS:
1	237722	RSV/RSB REMOTE SWITCH HOLDER - LH SIDE	1	
2	208625	LED DISPLAY	1	
3	220582	GREEN ROCKER SWITCH (WHITE PRINT) 0-1	1	
4	237723	RSV/RSB REMOTE SWITCH HOLDER - RH SIDE	1	
5	392305	REMOTE CABLE CLAMP	1	
6	291096	T15 TORX PAN SCREW #6 X 1/2"	6	TORQUE SETTING 1.65Nm
7	323338	LOOM ASSEMBLY.4.CRT	1	FOR USA
	323331	LOOM ASSEMBLY.4.CRT	1	FOR UK/EU

THIRD ANGLE PROJECTION



MAINS CABLE



GREEN/YELLOW EARTH WIRE
PART No.320668

BLUE LINK WIRE
PART No.320666

BLUE WIRE (220464)

POWER TAKE OFF (220130)

BROWN WIRE
(220463)

BROWN LINK WIRE
PART No.320665

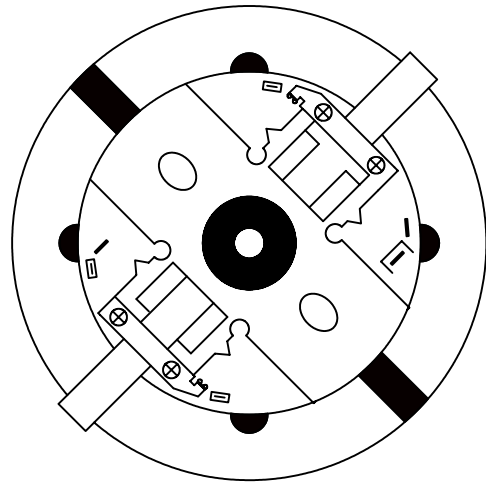
BLUE
LINK WIRE
PART No.320667

BROWN LINK WIRE
PART No.320113

MOTOR WIRE
PART No.320285

GREEN/YELLOW EARTH WIRE
PART No.320795

SUPPRESSOR
PART No.226000
(120V)
PART No.226200
(230V)



CUP MOTOR

MOTOR WIRE
PART No.320382

NUMATIC INTERNATIONAL LTD. MILLFIELD ROAD CHARD
SOMERSET TA20 2GB ENGLAND

THIS DWG. IS COPYRIGHT AND IS THE PROPERTY OF NUMATIC INTERNATIONAL LTD. AND MUST
NOT BE USED WITHOUT THEIR KNOWLEDGE NOR COMMUNICATED TO ANY PERSON OR COMPANY

TITLE
WIRING DIAGRAM RSV130/200 120V 3 CORE + PTO NACE (CUP MOTOR)

TOLERANCES: 0 DEC.PLACES = +/- 1.0mm
UNLESS OTHERWISE STATED
1 DEC.PLACE = +/- 0.25mm
2 DEC.PLACES = +/- 0.05mm

ANGULAR: +/- 0.5°
UNLESS OTHERWISE STATED

DIMs IN:- MM	MATERIAL	COMP NO
SCALE NTS	FINISH	DRG NO WD-0332

A01	NEW DRAWING	JSW	AJB	20:10:05
ISS	REVISION	DRAWN	APPD.	DATE

A

B

C

D

E