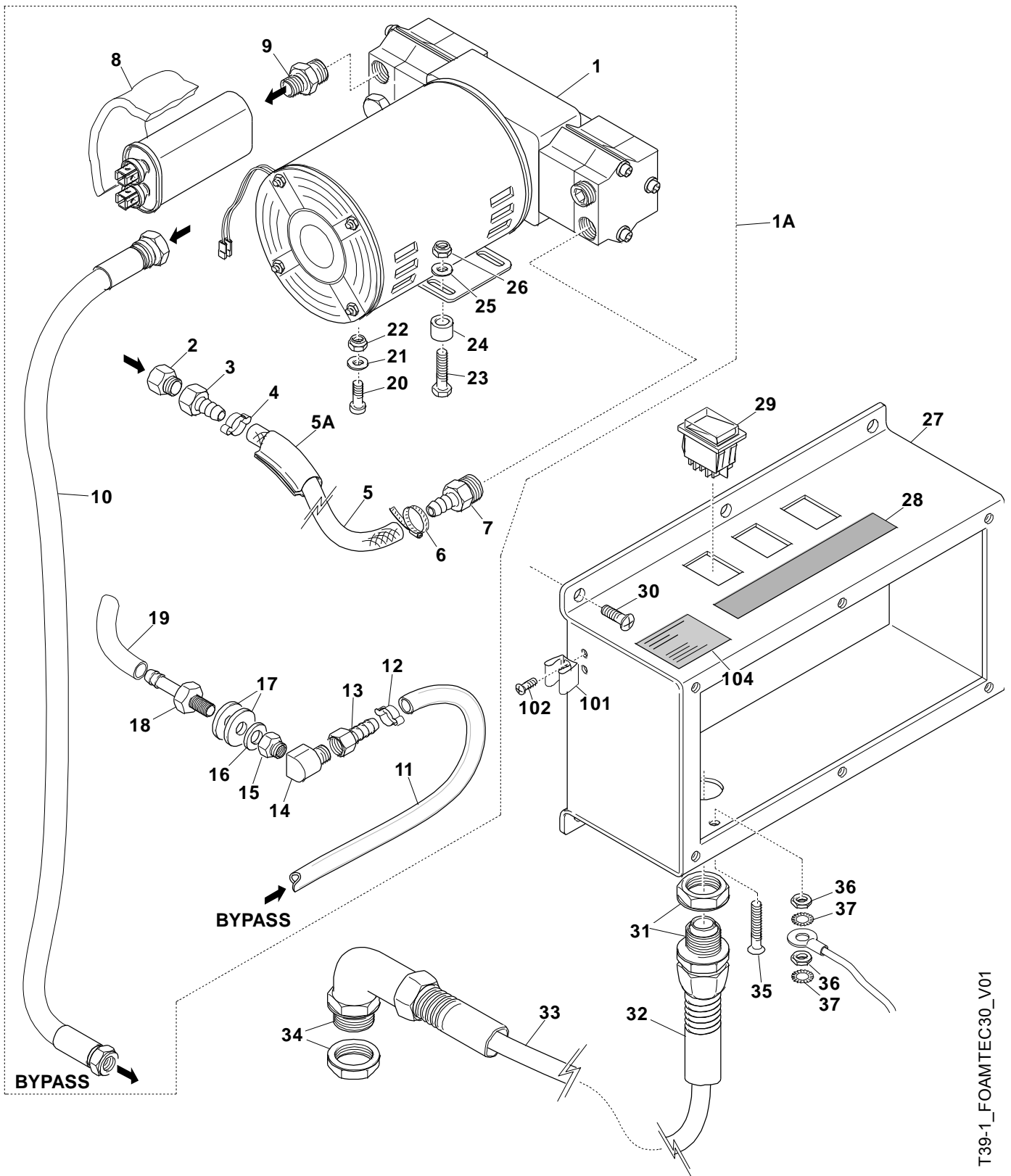


REF	PART #	DESCRIPTION
1	15146	FILTER
2	15536	STAINLESS STEEL SCREW TC+ 4x10
3	15135	GASKET
4	15136	UPPER FLANGE
4A	151351	GASKET FLANGE/UPPER TANK
5	15811	MOTOR GASKET 5mm
5A	15812	MOTOR GASKET 10mm
6	15807	MOTOR 1000W 220-240V 50 HZ
6	15819	MOTOR 1000W 100V 50-60 HZ
6	15820	MOTOR 1000W 110V 50/60 Hz
7	15234	PLASTIC CONNECTOR
7	15250	MALE FASTON – 6,3mm
8	15141	LOWER FLANGE
9	15142	COUPLER
10	15542	SCREW TC+ 4,2x16
11	15161	HOSE NIPPLE
12	151591	DRAIN VALVE 1"
13	153581	DRAIN HOSE, L=90CM
14	15541	TIE
15	153581C	COMPLETE DRAIN HOSE: COD. 1591+161+3581+541
16	15544	SCREW 4,2x22
17	15160	CLIP
18	15133	COVER
18	15133C	COVER WITH GASKET
19	15134	GASKET
20	15149	BLUE UPPER TANK
21	15150A	BLUE LOWER TANK
22	157671	COUPLING A4/Z M.1/4 F.1/8
23	15540	BRASS WASHER
24	15147	NEOPRENE WASHER
25	15608	FILTER
26	15734	PIPE FOR FILTER
27	15702	CONNECTING PART COMPLETE
30	15235	MOTOR RADIO INTERFERENCE SUPPRESSOR
32	157583	CAP A7 ¼" WITH O-RING
33	15236	CONNECTING TERMINAL
34	1557504I	SCREW TE 4x12 INOX
35	155210	LOCKING WASHER DIAM. 4 Zn
36	15523	BRASS NUT DIAM. 4
37	151713	ROD FOR FLOATER
38	151707	SPHERICAL FLOATER
39	1558206W	SCREW TE 6x8 1/4X3/8 WHITWORTH

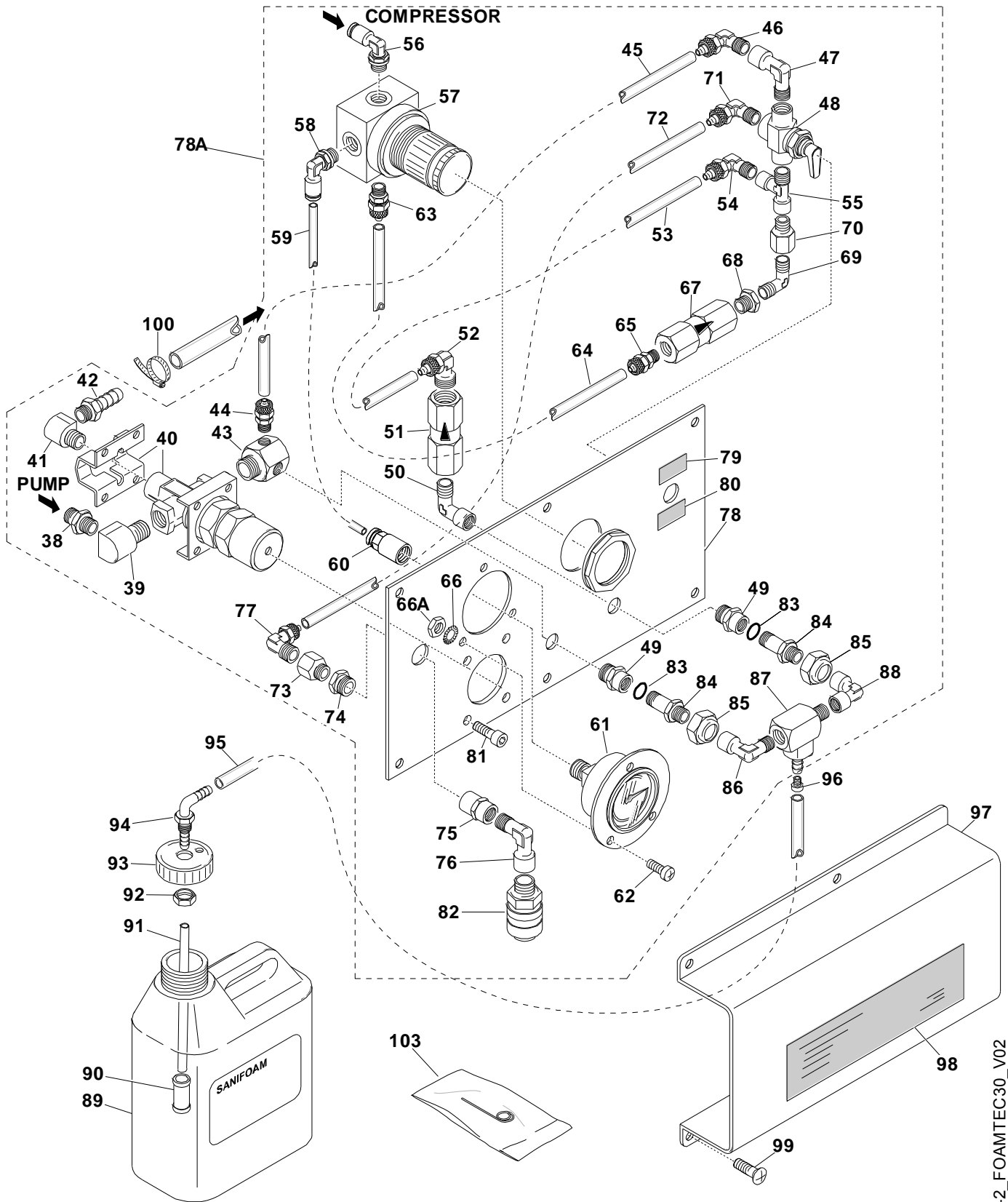
REF	PART #	DESCRIPTION
40	1552106I	LOCKING WASHER DIAM. 6 INOX
41	151704	FLOATER MOVING PART
42	151703	FLOATER FIXED PART
43	151705	NUT FOR FLOATER LOCKING
44	151706	FOATER FOR MAXIFOAM AUTOMATIC FILLING
45	1590431	EXTENSION FOR MAXIFOAM FLOATER
46	1516133	GASKET 3/4" FOR FOAMTEC30 FILLING SYSTEM
47	1516134	MALE COUPLING 3/4"
48	1516135	FEMALE COUPLING 1/2" STOP
49	153481250	RAGNO HOSE D.12x17 L=5M
49A	153481250C	COMPLETE HOSE D.12x17 L=5M + 2x16135
50	1516136	MALE COUPLING 3/4"-1/2"
51	1516137	QUICK-CLICK COUPLING FOR SINK



T39-1_FOAMTEC30_V01

FOAMTEC 30
March 2012

FROM S/N: 105063982



FOAMTEC 30
March 2012

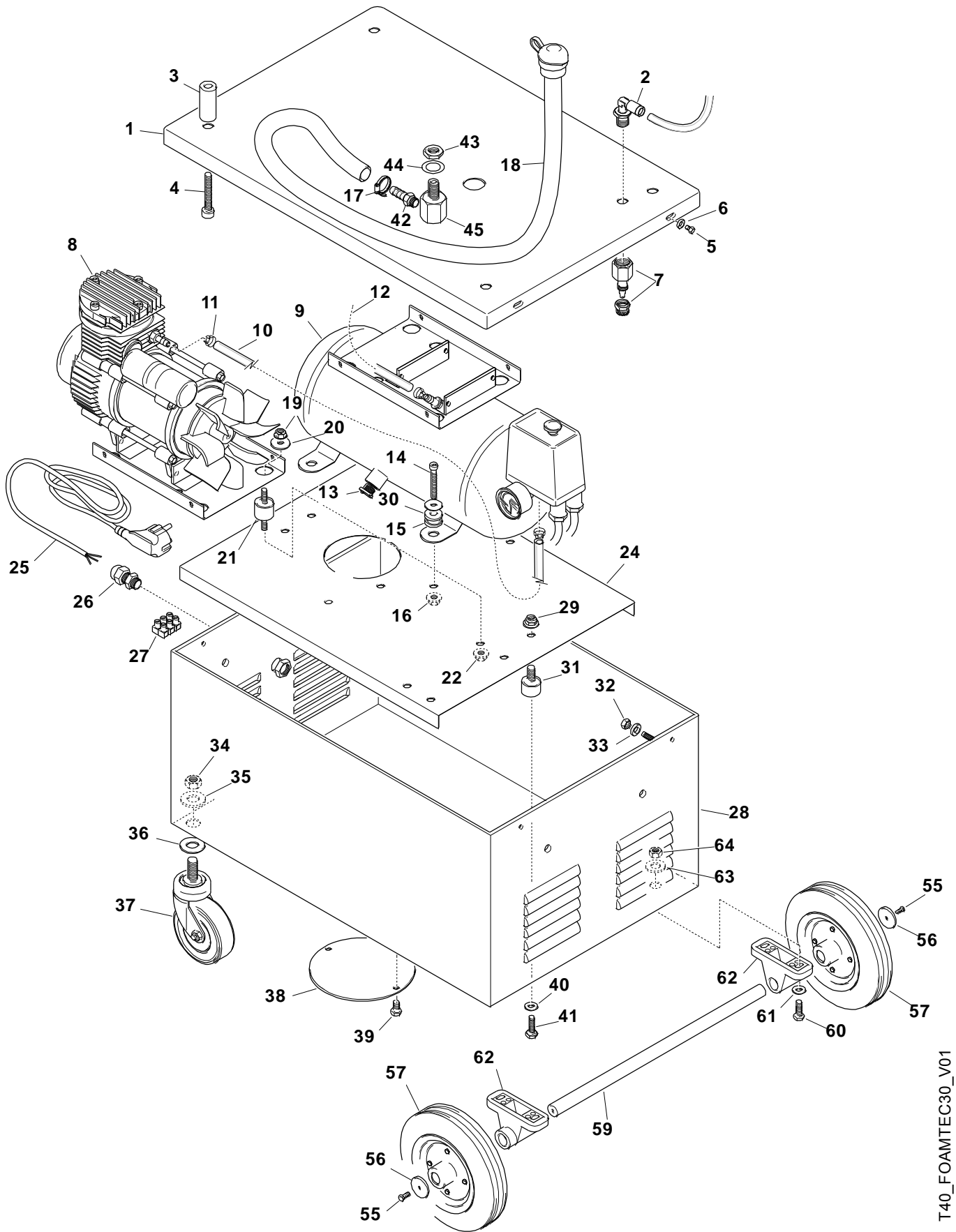
T39-2_FOAMTEC30_V02

FROM S/N: 105063982

REF	PART#	DESCRIPTION
1	15646400	PUMPTEC PUMP 230V 400 PSI
	15645400.1	PUMPTEC PUMP 120V 400 PSI
1A	15646400C	COMPLETE PUMPTEC PUMP 400PSI - 230V FOR FOAMTEC30
	15645400	COMPLETE PUMPTEC PUMP 400PSI - 120V FOR FOAMTEC30
2	157671	COUPLING A4/Z F.1/8 – M. 1/4
3	156991	HOSE NIPPLE F. 1/4 DIAM.8
4	15609	STRICK TIE 13-15
5	1534304	RAGNO PIPE 8x14 L=365mm
5A	152852	SYLICON INSULATION
6	156092	TIE WITH SCREW
7	156996	HOSE NIPPLE M.3/8 DIAM.9
8	151841	RUBBER PROTECTION D.35x53 L=100mm
9	1573821	NIPPLE COUPLING 3/8 NPT-1/4GAS CILINDR
10	1534309C	HIGH PRESSURE PIPE L450mm F1/4-F1/4 GAS-OTT.
11	1534308	RAGNO HOSE N40 8x14 L=48CM
12	15609	STRICK TIE 13-15
13	156991	HOSE NIPPLE F. 1/4 DIAM.8
14	1562614-NPT	ELOBOW MF NPT-NPT 1/4 1/4
15	157671	COUPLING A4/Z F.1/8 – M. 1/4
16	15540	BRASS WASHER
17	15147	NEOPRENE WASHER
18	15702D	HOSE NIPPLE
19	1573523	EXTRAFLEX PIPE 6/8 L=30cm
20	15574	SCREW TC BRUGOLA 6x14 Zn
21	155631	WASHER 6x12x1,5 Zn
22	15562A	LOCKING NUT ES. 6 MA DIN 982 Zn
23	1558230	SCREW TE 6x30 Zn
24	1534303	RAGNO HOSE 6x14, H=12mm
25	155631	WASHER 6x12x1,5 Zn
26	15562A	LOCKING NUT ES. 6 MA DIN 982 Zn
27	154913N	PUMP HOUSING FOR FOAMTEC30
28	151562	LABEL FOR SWITCHES MAXI FOAM
29	152171	LUMINOUS SWITCH
30	15536	SCREW TC+ INOX 4x10
31	15262C	COMPLETE COUPLING SHEATH-PANEL WITH NUT
32	152611	CABLE SHEAT DIAM.16 L=26CM
33	1520851	CABLE 5x1,5 SPEZZ.120CM CABL. FOAMTEC30
34	152621C	ELBOW + NUT FOR CABLE SHEAT
35	15551	SCREW TC+ INOX 4x16
36	15523	NUT DIAM.4
37	155210	LOCKING WASHER DIAM.4
38	15764	NIPPLE A1 1/4-1/4

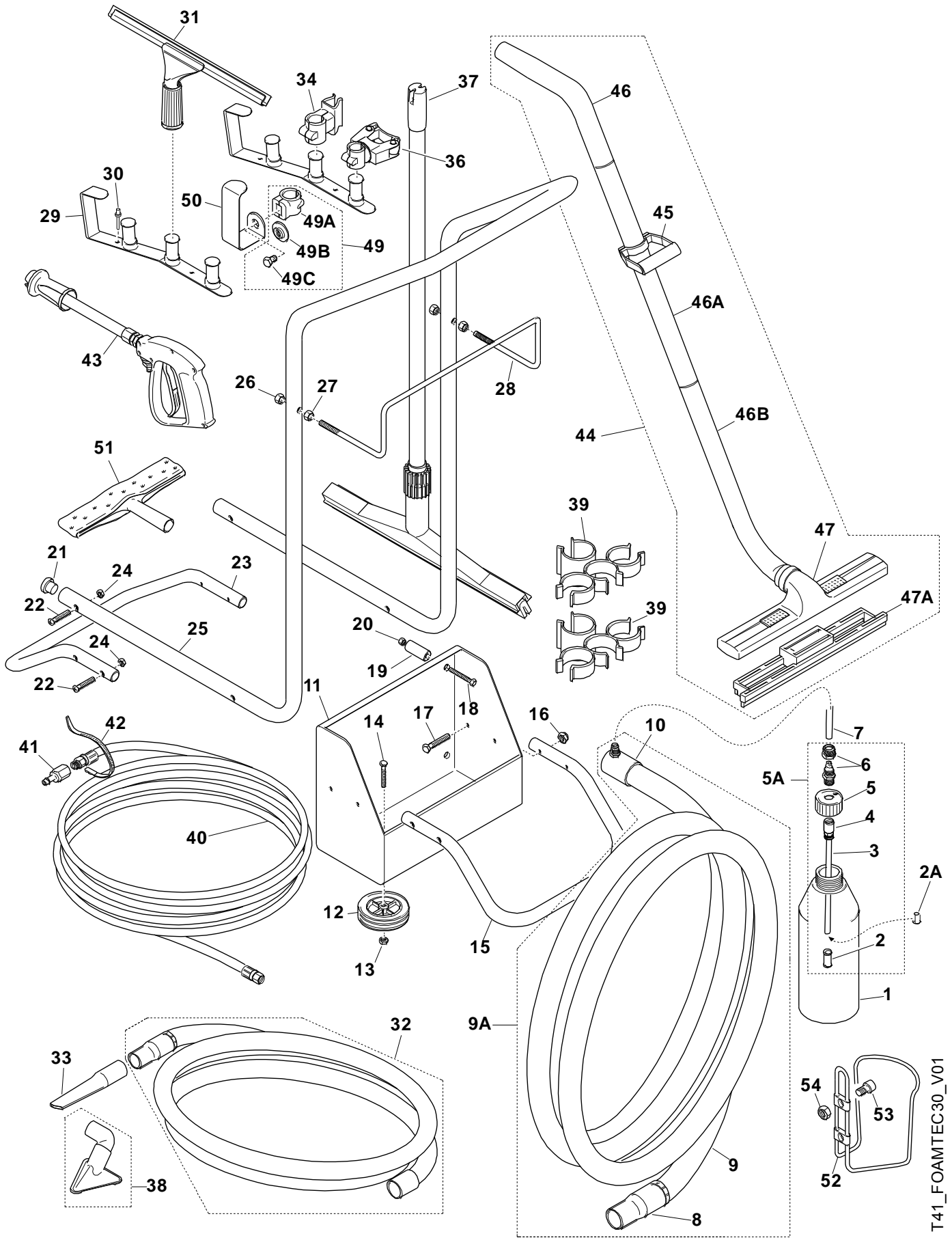
REF	PART#	DESCRIPTION
39	1562614-NPT	ELBOW MF NPT-NPT 1/4 1/4
40	15647400	BY PASS PUMPTEC400 + BRACKETS
41	1562614-NPT	ELOBOW MF NPT-NPT 1/4 1/4
42	156994	HOSE NIPPLE F. 1/4 DIAM.8
43	1562614T-NPT	3 WAY ELBOW MFF ¼ NPT-NPT + 1/8 GAS
44	15616	COUPLING C1 8/6-1/8
45	1574003	RILSAN HOSE HR 6/8 PA11HR L=140mm
46	15605	ELBOW COUPLING C5 M.1/8 PER TUBO 6/8
47	15626	ELBOW MF A10 1/8-1/8
48	156175	3 POSITION VALVE 1/8"
49	15714N-HP	COUPLING F1/4 FOR QUICK CONNECTION
50	1562614	ELBOW COUPLING MF A10 1/4-1/4
51	157552	ONE-WAY COUPLING F.1/4 - F.1/4
52	1560511	ELBOW COUPLING C5 M.1/4 FOR HOSE 4/6
53	15744101	RILSAN SPIRAL HOSE 4/6 L= 18CM
54	1560511	ELBOW COUPLING C5 M.1/4 FOR HOSE 4/6
55	1572232	COUPLING T FFM 1/8 A13 1/8
56	156053A	ELBOW COUPLING R31 M.1/8 HOSE 6/8
57	1549091	AIR PRESSURE REGULATOR
58	156052A	ELBOW COUPLING R31 M.1/8 HOSE D.4
59	156939	HOSE DIAM. 4/2,5 L=13CM
60	157141	AUTOMATIC COUPLING F-ATT.F. R2 4-1/8
61	15900	MANOMETER FOR AIR PRESSURE
62	1553501	SCREW TC+ 3x14 Zn
63	156162	COUPLING C1Z8/6-1/8 WITHOUT SPRING
64	1574403	RILSAN SPIRAL HOSE 6/8 L= 45CM
65	156166	COUPLING C1Z8/6-1/4 WITHOUT SPRING
66	1552103	LOCKING WASHER DIAM.3
66A	1558603	NUT DIAM.3
67	157552	ONE-WAY COUPLING F.1/4 - F.1/4
68	157671	COUPLING A4/Z M.1/4 F.1/8
69	156261	ELBOW MM A15 1/8-1/8
70	15683	COUPLING FM 1/8-1/8 A5/Z
71	15605	ELBOW COUPLING C5 M.1/8 PER TUBO 6/8
72	1574004	RILSAN HOSE HR 6/8 PA11HR L=140mm
73	15683	COUPLING FM 1/8-1/8 A5/Z
74	157671	COUPLING A4/Z M.1/4 F.1/8
75	1576214	COUPLING FF A3 1/4
76	1562614	ELBOW COUPLING MF A10 1/4-1/4
77	15605	ELBOW COUPLING C5 M.1/8 FOR HOSE 6/8
78	1549125	FOAMTEC30 REGULATION PANEL
79	1515761	"FOAM" LABEL

REF	PART#	DESCRIPTION
80	1515762	"RINSE" LABEL
81	15574	SCREW TC BRUGOLA 6x14 Zn
82	15687-T	QUICK DISCONN. COUPL. ATT.F.1/4 WITH ANTIDRIP
83	151373	O-RING FOR 714N
84	15698	AUTOMATIC COUPLING M.ATT.M. R6 8-1/8
85	15761	BRASS NUT 3/8" WITH 14mm HOLE
86	15626	ELBOW MF A10 1/8-1/8
87	1590452	DEMA INJECTOR FF 1/8
	1590453-04	INTERNAL BUSHING 0,4
88	1562615	ELBOW COUPLING FF 1/8"
93	158020946	CAP WITH HOLE FOR 5 LITER TANK
95	1573513	EXTRAFLEX HOSE 6/8 L=46cm
97	1549126	COVER PANEL FOR FOAMTEC
99	15536	SCREW TC+ INOX 4x10
100	156092	TIE WITH SCREW
101	151603	CLIP
102	15547	SCREW TC+ 4x8
103	156072	METAL PIN FOR CHEMICAL INJECTOR CLEANING



REF	PART#	DESCRIPTION
1	154910	UPPER COVER FOR FOAMTEC30
2	156051A	AUTOMATIC COUPLING ELBOW R31 8-1/4
2A	1574033	RILSAN PIPE 6/8 L=54cm
3	157472	THIMBLE FOR FOAMTEC30
4	1558970	SCREW TC BRUGOLA 10x70
5	15575I	SCREW TE 5x12 INOX
6	15517I	WASHER DIAM. 5x15x1,5 STAINLESS STEEL
7	156160.1	COUPLING C2 F.1/4 FOR 6/8 PIPE
8	154905	COMPRESSOR 220-240V
	154905-110	COMPRESSOR 120V
9	154908	COMPLETE TANK WITH PRESSOSTAT + 4908.1 + 4908.2
10	1574010	SPECIAL RILSAN PIPE, L=90CM
11	156091	SPECIAL TIE FOR 6/8,5 PIPE
12	157402	RILSAN PIPE, L=90CM
13	154908.1	CAP FOR CONDENSATE DRAINAGE
14	155741	SCREW TC BRUGOLA 6x16
15	157363	RUBBER SUPPORT FOR AIR TANK
16	15562R	NUT WITH WASHER, DIAM.6
17	1560941	TIE WITH SCREW (16-27)
18	15348162C	DRAIN HOSE L=120cm WITH CAP
19	15562R	NUT WITH WASHER, DIAM. 6
20	154905.2	SPECIAL WASHER DIAM. 6
21	154905.3	ANTIVIBRATION SUPPORT DIAM.20, H=20, THREAD=6
22	15562R	NUT WITH WASHER, DIAM.6
24	154906	SUPPORT PLATE FOR COMPRESSOR AND TANK
25	152420	CABLE 3x1,5x10M
	15215	CABLE 3xAWG14 L.15m. SJTW-CSA USA PLUG
26	15295	CABLE LOCK WITH NUT 1/2"
27	152361	ELECTRIC TERMINAL – 4 sq.mm.
28	154901	COMPRESSOR CONTAINER
29	15562R	NUT WITH WASHER, DIAM. 6
30	155630	WASHER DIAM 6x18
31	154905.4	THIMBLE FOR PLATE FIXING
32	15523	NUT – DIAM. 4
33	155210	LOCKING WASHER DIAM. 4
34	15526A	LOCKING NUT DIAM. 10MM
35	15528	WASHER DIAM. 10x40x2
36	15597	WASHER DIAM. 20x40x3
37	15115.1	WHEEL DIAM. 100MM
38	154907	COVER FOR CONDENSATE DRAINAGE
39	15575I	SCREW TE 5x12 INOX
40	155630	WASHER 6x18

REF	PART#	DESCRIPTION
41	1558206	SCREW TE 6x8
42	156995	HOSE NIPPLE M. 3/8 - 17
43	156843	COUPLING F3/8-F1/4
44	15626114	ELBOW COUPLING MM A15 1/4-1/4
55	15582	STAINLESS STEEL SCREW TE 6x14
56	155632	WASHER 6x30x2 Zn
57	15422	WHEEL
59	154182	FOAMTEC30 WHEEL SHAFT
60	15600	SCREW TE 8x25
61	15594	WASHER 8x24 Zn
62	15419N	PILLOW BLOCK
63	15594	WASHER 8x24 Zn
64	15568	NUT DIAM. 8



T41_FOAMTEC30_V01

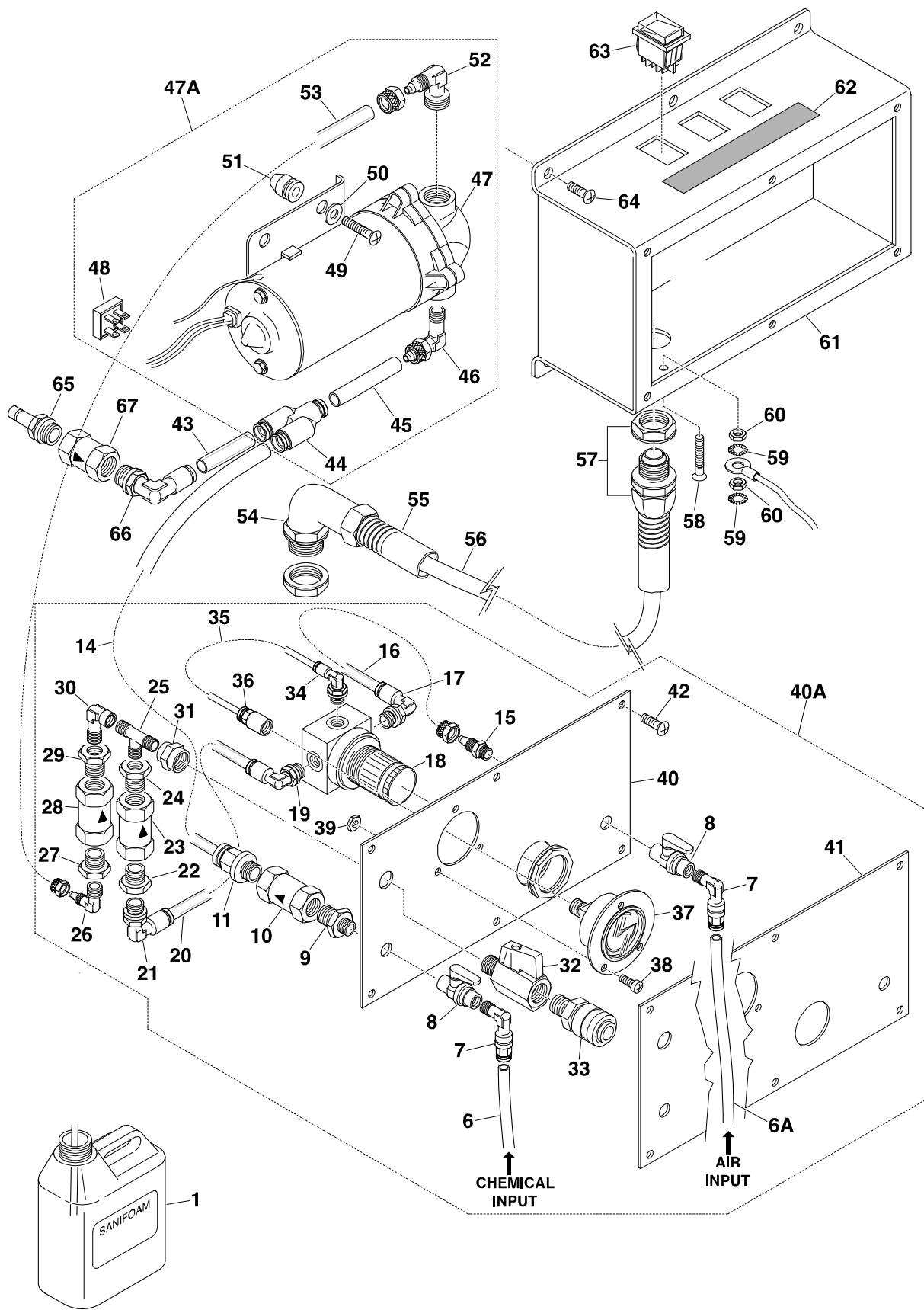
FROM S/N: 105063982

REF	PART#	DESCRIPTION
1	8020970	1 LITER TANK WITH ANTIFOAM
2	156081	FILTER FOR ANTIFOAM
2A	1512031	DOSING TIP FOR LOW-VISCOSITY DEFOAMERS
3	1574014	RILSAN PIPE 6x8 L=25cm
4	156165	COUPLING C2 6/8 -1/8
5	151203	CAP WITH HOLE FOR 1 LITER TANK
	151203C	ANTIFOAM CAP COMPLETE WITH COUPLINGS+TUBE+FILTER
6	156163	COUPLING C1Z 4/2,5 -1/8
7	156933	RILSAN PIPE 4x2.5 L=33cm
8	15333-S	SPECIAL REVOLVING CUFF DIAM.36
9	15345-L75	VACUUM HOSE DIAM.32
9A	15345-L75-F	VACUUM HOSE DIAM.32 L7,5M+ CUFFS 333-S+3321-F
10	153321-F	CUFF DIAM 32/38 WITH ANTI-FOAM INPUT
11	154911	CONTAINER FOR CHEMICAL TANKS
12	15426N	LATERAL WHEEL DIAM.80
13	15568A	LOCKING NUT
14	15567	SCREW TE 8x40
15	154916	LOWER HOOK FOR MAXI FOAM VACUUM HOSE
16	15562A	LOCKING NUT DIAM.6
17	1558230	SCREW TE 6x30 Zn
18	155671	SCREW TE 8x60 Zn
19	157471	CHROMED THIMBLE
20	15568	NUT DIAM.8
	1552108	LOCKING WASHER D.8
21	155023	PLASTIC CAP
22	1558230	SCREW TE 6x30
23	1549161	TUBE HOOK/ REAR HANDLE FOR MAXI FOAM
24	15562R	NUT DIAM.6 WITH WASHER
25	154915	MAXI FOAM BIGGER HANDLE TUBE
26	15568A	LOCKING NUT DIAM.8
27	15568	NUT DIAM.8
28	154917	UPPER HOOK FOR MAXI FOAM VACUUM HOSE
29	154914	SUPPORT FOR ACCESSORIES
30	155191	RIVET 4x22
31	8020031	COMPLETE STAINLESS STEEL WINDOWS SQUEEGEE
34	159021	CLIP DIAM.22 WITH PLASTIC TERMINAL
36	159020	CLIP DIAM.22 WITH RUBBER TERMINAL
37	159010C	COMPLETE FLOOR WIPER – 45 CM
38	153578C	COMPLETE TRIANGULAR VACUUM HEAD
39	1531802	4-PLACES CLIP, DIAM.32
40	153440-L100-INN	HIGH PRESSURE HOSE 10m M.1/4 F.1/4
41	15689-T	QUICK DISCONNECT COUPLING - MALE
42	15541	TIE

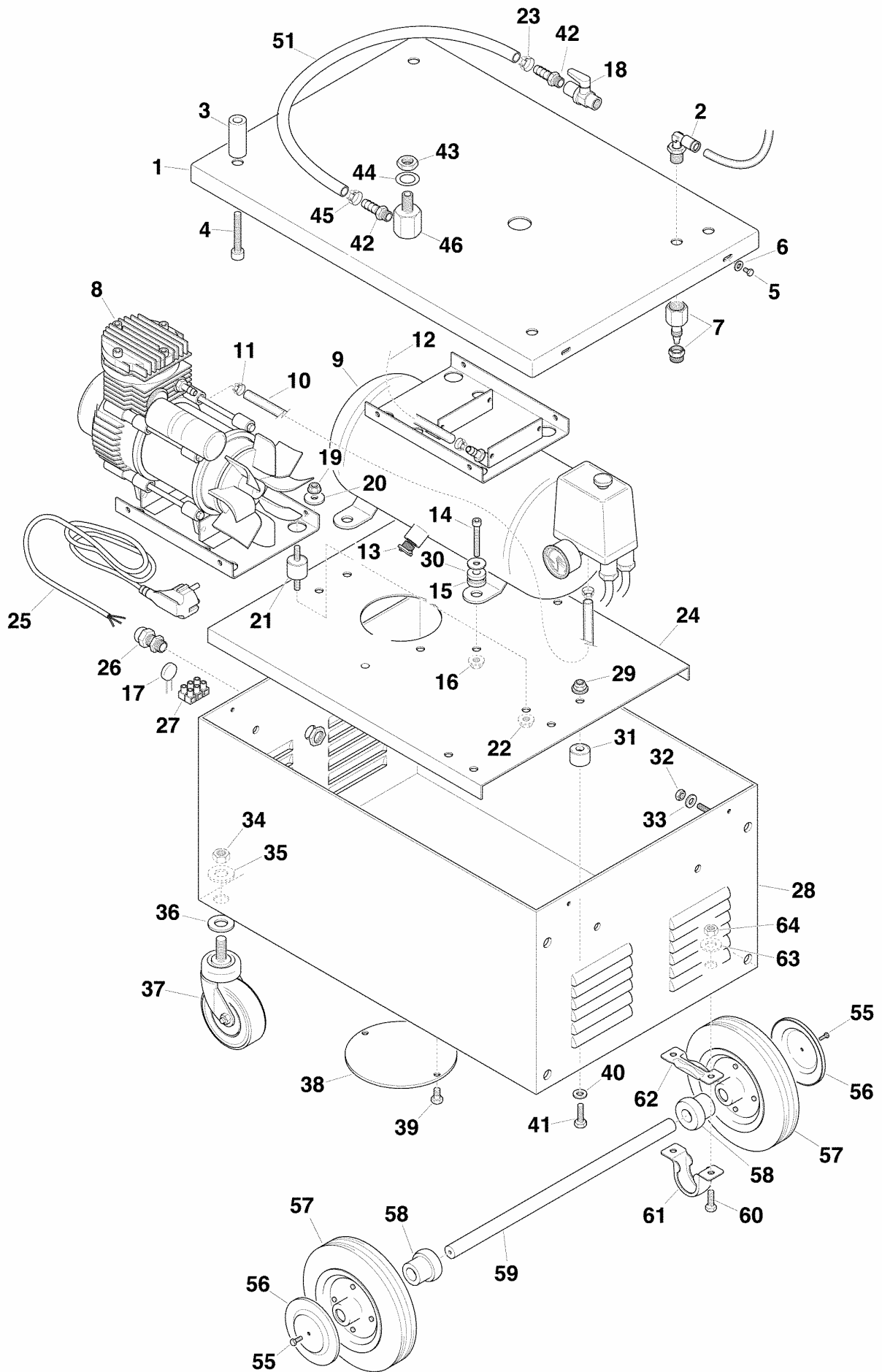
REF	PART#	DESCRIPTION
43	159041CHP	COMPLETE FOAM/RINSE SPRAY GUN HP (03)
	159042	NOZZLE 03 WITH VARIABLE ANGLE AND BYPASS
44	153577C	COMPLETE VACUUM TOOL 40CM-DIAM.38
45	15117C36	COMPLETE HANDLE – DIAM.36
46	15306	HANDLE PLASTIC TUBE
46A	15350	STRAIGHT INOX TUBE D.36
46B	15305	CURVED INOX TUBE D.36
47	1531241	VACUUM HEAD NS400P WITHOUT RUBBER SLIDE
47A	1531242	RUBBER SLIDE
49	159025	CLIP DIAM. 22 COMPLETE WITH WASHERS AND SCREW (49A+49B+49C)
49A	159023.1	CLIP, WITHOUT HOOK
49B	1549145	WASHER FOR HOOK 49143
49C	1558206	SCREW TE 6x8 Zn 8.8
50	1549143	TUBE SUPPORT HOOK
51	159035	WASHING FLEECE TOOL
52	1549182	SUPPORT FOR ANTIFOAM TANK
53	15560	SCREW TC+ 5x30 UNI 7687 INOX
54	15525A	LOCKING NUT D.5

RM800F (FOAMTEC)

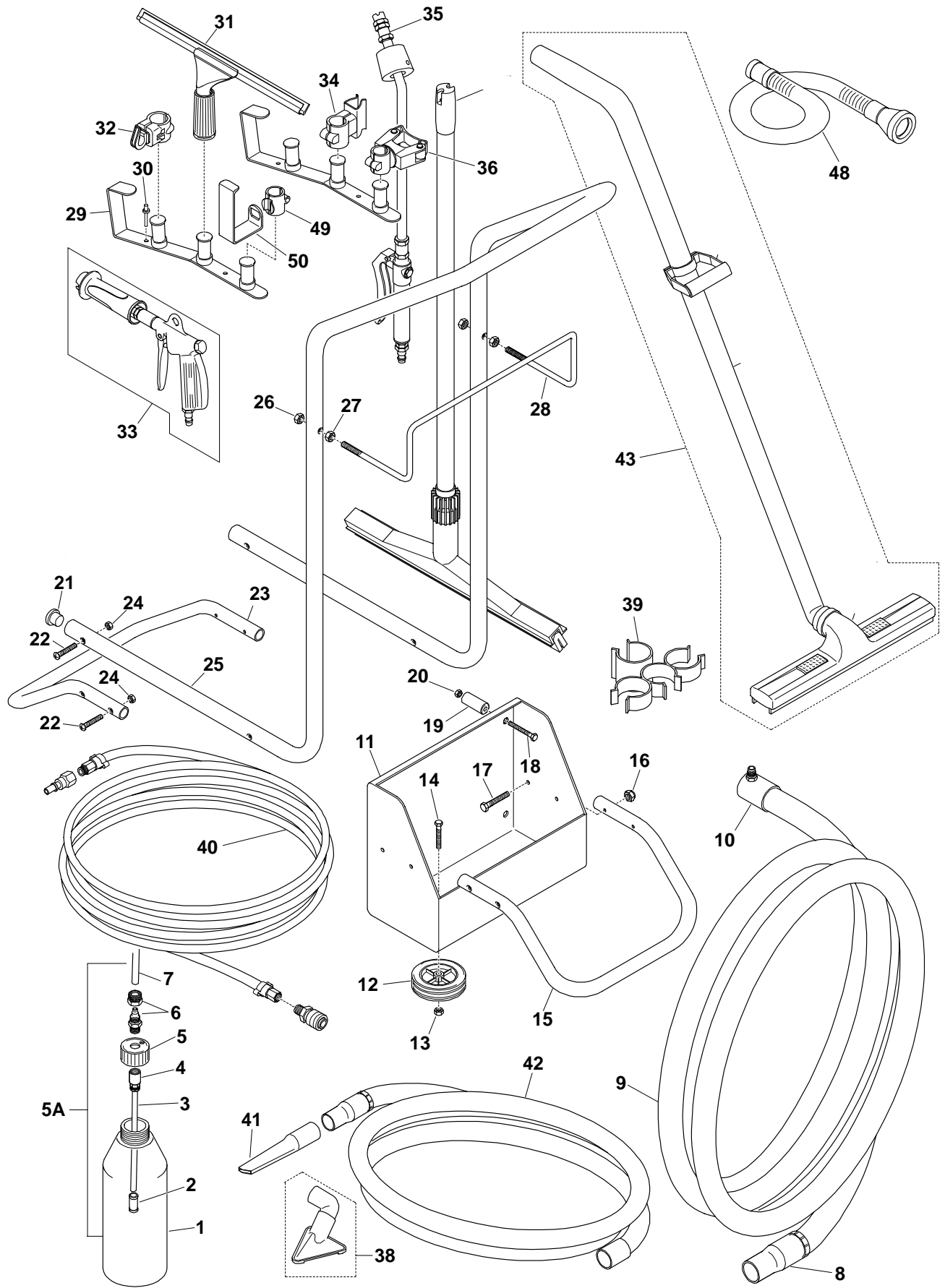
REF.	PART #	DESCRIPTION
1	15146	FILTER
2	15536	STAINLESS STEEL SCREW TC+ 4x10
3	15135	GASKET
4	15136	UPPER FLANGE
4A	151351	GASKET FLANGE/UPPER TANK
5	15812	MOTOR GASKET 10mm
5A	15811	GASKET 5mm
6	15821	MOTOR 1200W 220-240V 50 HZ
	15820	MOTOR 1000W 110V 50/60 Hz
7	15234	PLASTIC CONNECTOR
	15250	MALE SPADE CONNECTOR – 6,3mm
8	15141	LOWER FLANGE
9	15142	COUPLER
10	15542	SCREW TC+ 4,2x16
11	15161	HOSE NIPPLE
12	151591	DRAIN VALVE 1”
13	153581	DRAIN HOSE, L=90CM
14	15541	TIE
15	153581C	COMPLETE DRAIN HOSE
16	15544	SCREW 4,2x22
17	15160	CLIP
18	15133	RECOVERY DOME
	15133C	RECOVERY DOME WITH GASKET
19	15134	GASKET
20	15149	RECOVERY TANK
21	15150	SOLUTION TANK
22	15714	QUICK DISCONNECT FEMALE
23	15540	BRASS WASHER
24	15147	NEOPRENE WASHER
25	15608	FILTER
26	15734	HOSE FOR FILTER
27	15702	90° ELBOW
28	1511638	PLASTIC FILTER
29	152025	FILTER PPI30 D.44
30	15235	RADIO INTERFERENCE SUPPRESSOR
31	15538	SCREW TC+ 3,9 x 13
32	15290	PUMP RADIO INTERFERENCE SUPPRESSOR
33	15236	CONNECTING TERMINAL
34	1516131	ELBOW
35	1516132	NUT FOR ELBOW
36	1516133	GASKET FOR ELBOW
37	151706	FOAT VALVE
38	1590431	EXTENSION FOR FLOAT VALVE



REF.	PART #	DESCRIPTION	REF.	PART #	DESCRIPTION
1	8020950	FOAMCHEM 4X1 GALLON CASE	43	1574016	RILSAN PIPE 6/8, L=110mm
	8020955	FOAMCHEM HD 4X1 GALLON CASE	44	156801	"Y" PTC FITTING - DIAM. 8
6	1573513	EXTRAFLEX PIPE 6/8, L=46cm	45	157406	RILSAN PIPE 6x8 L=40mm
6 A	157407	RILSAN PIPE 6/8, L=29cm	46	15622	ELBOW COUPLING M.3/8 FOR 6x8 PIPE
7	15605	ELBOW C5 8-1/8	47	15643	SHURFLO PUMP 220-240V 50/60Hz + RECTIFIER 27935
8	156171	BALL VALVE FF 1/8		15644	SHURFLO PUMP 100-120V 50-60Hz (INTERNAL RECTIF.)
9	157381	NIPPLE A1 3/8-1/8	47A	15643FC	SHURFLO PUMP 220-240V COMPLETE
10	157551	CHECK VALVE FF 3/8		15644FC	SHURLO PUMP 100-120V COMPLETE
11	15754	PTC FITTING, F. ATT. M. R1 8-3/8	48	1527935	RECTIFIER (FOR 230V PUMP ONLY)
14	1574015	RILSAN PIPE 6/8 L=20CM	49	15546	SCREW TC+ 5x25
15	15616	COUPLING C1 8/6 1/8	50	15517	WASHER 5x15
16	157408	RILSAN PIPE 6/8, L=25cm	51	157360	VIBRATION DAMPING (SHURFLO)
17	156053A	PTC ELBOW R31 8-1/8	52	15622	ELBOW COUPLING M.3/8 FOR 6x8 PIPE
18	1549091	AIR PRESSURE REGULATOR	53	1574012	RILSAN PIPE 6x8 L=320mm
19	156053A	PTC ELBOW R31 8-1/8	54	152621	ELBOW FOR CABLE SHEATH
20	157409	RILSAN PIPE 6/8, L=22cm	55	152611	CABLE SHEAT DIAM.16 L=26CM
21	156053A	PTC ELBOW R31 8-1/8	56	1520851	CABLE 5x1,5 WITH TERMINALS - L= 120CM
22	157672	COUPLING A4/Z F.1/8 - M.3/8		152615C	COMPLETE CABLE SHEATH FOR RM800F
23	157551	CHECK VALVE FF 3/8	57	15262C	CONNECTING PART + NUT
24	157672	COUPLING A4/Z F.1/8 - M.3/8	58	15551	SCREW TC+ INOX 4x16
25	157220	COUPLING "T" MMM A16 1/8	59	155210	LOCKING WASHER DIAM.4
26	15605	COUPLING C5 MF 1/8	60	15523	NUT DIAM.4
27	157672	COUPLING A4/Z F.1/8 - M.3/8	61	154913	PANEL FOR PUMP
28	157551	CHECK VALVE FF 3/8	62	151562	LABEL FOR SWITCHES
29	157672	COUPLING A4/Z F.1/8 - M.3/8	63	152171	LUMINOUS SWITCH
30	15626	ELBOW MF 1/8	64	15536	SCREW TC+ INOX 4x10
31	15684	COUPLING A6 1/4-1/8	65	156982	PTC FITTING D.8 M.3/8
32	15751	VALVE MF ¼	66	156054A	PTC FITTING ELBOW R31 8-3/8
33	15687PE	QUICK DISCONNECT F. ATT. M. 1/4	67	157551	CHECK VALVE FF 3/8
34	156052A	AUTOMATIC COUPLING ELBOW R31 4-1/8			
35	156934	RILSAN PIPE 2,5/4 L=20cm			
36	157141	PTC FITTING F.-ATT.F. R2 4-1/8			
37	15900	AIR PRESSURE GAUGE			
38	1553501	SCREW TC+3X14			
39	1558603	BRASS NUT DIAM. 3			
	1552103	LOCKING WASHER DIAM. 3			
40	154912	REGULATION PANEL			
40A	1549123	COMPLETE REGULATION PANEL			
41	151561	LABEL FOR REGULATION PANEL			
42	15536	STAINLESS STEEL SCREW - TC+ 4x10			



REF.	PART #	DESCRIPTION
1	154910	UPPER COVER
2	156051A	PTC ELBOW R31 8-1/4
3	157472	SPACER
4	155982	SCREW TC 10x50
5	155751	SCREW TE 5x12
6	155171	WASHER DIAM. 5x15x1,5 STAINLESS STEEL
7	1561601	COUPLING C2 F.1/4 FOR 6/8 PIPE
8	154905	COMPRESSOR 220-240V
	154905110	COMPRESSOR 120V
9	154908	COMPRESSOR TANK WITH PRESSURE SWITCH
10	1574010	RILSAN PIPE, L=110CM
11	156091	TIE FOR 6/8,5 PIPE
12	157402	RILSAN PIPE, L=95CM
13	1549081	COMPRESSOR DRAIN
14	155741	SCREW TC 6x16
15	157363	RUBBER SUPPORT FOR COMPRESSOR TANK
16	15562R	NUT WITH WASHER, DIAM.6
17	158132	VARISTOR
18	156174	DRAIN VALVE F.F. 3/8"-3/8"
19	15562R	NUT WITH WASHER, DIAM. 6
20	1549052	WASHER DIAM. 6
21	1549053	ANTIVIBRATION SUPPORT DIAM.20, H=20, THREAD=6
22	15562R	NUT WITH WASHER, DIAM.6
23	156093	TIE 22-25
24	154906	SUPPORT PLATE FOR COMPRESSOR AND TANK
25	152420	CABLE 3x1,5x10M
	15215	CABLE 3xAWG14 L.15m. SJTW-CSA USA PLUG
26	15295	CABLE LOCK WITH NUT 1/2"
27	152361	ELECTRIC TERMINAL – 4 sq.mm.
28	154901	COMPRESSOR BOX
29	15562R	NUT WITH WASHER, DIAM. 6
30	155630	WASHER DIAM 6x18
31	1549054	SPACER
32	15523	NUT – DIAM. 4
33	155210	LOCKING WASHER DIAM. 4
34	15526A	LOCKING NUT DIAM. 10MM
35	15528	WASHER DIAM. 10x40x2
36	15597	WASHER DIAM. 20x40x3
37	151151	WHEEL DIAM. 100MM
38	154907	COVER
39	155751	SCREW TE 5x12
40	155630	WASHER 6x18
41	1558230	SCREW TE 6x30
42	156995	HOSE NIPPLE M. 3/8 - 17
43	15761	BRASS NUT 3/8" – 14mm
44	151372	OR DIAM=12,29
45	156093	TIE 22-25
46	15702E	ELBOW CONNECTOR 3/8
51	15348161	DRAIN HOSE DIAM. 16 L= 90CM
55	15582	STAINLESS STEEL SCREW TE 6x14
56	155632	WASHER 6x30x2 Zn
57	15422	WHEEL
58	15419	PILLOW BLOCK
59	154182	WHEEL SHAFT
60	15583	SCREW TE 8x20
61	15421	LOWER BEARING FLANGE
62	15420	UPPER BEARING FLANGE
63	15594	WASHER 8x24 Zn
64	15568	NUT DIAM. 8



REF.	PART #	DESCRIPTION
1	8020970	DEFOAMER 12X1 LITRE CASE
2	156081	FILTER
3	1574014	RILSAN PIPE 6x8 L=21cm
4	15714	PTC FITTING F.ATT.F. R1 8-1/8
5	151203	DEFOAMER CAP
6	156163	COUPLING C1Z 4/2,5 -1/8
7	156933	RILSAN PIPE 4x2.5 L=70cm
8	15333S	REVOLVING HOSE CUFF DIAM.36
9	8020660	VACUUM HOSE DIAM.32
10	153321F	HOSE CUFF DIAM 32/38 WITH ANTI-FOAM INPUT
11	154911	CHEMICAL TRAY
12	15426N	WHEEL DIAM.80
13	15568A	LOCKING NUT
14	15567	SCREW TE 8x40
15	154916	LOWER HOOK FOR VACUUM HOSE
16	15562A	LOCKING NUT DIAM.6
17	1558230	SCREW TE 6x30 Zn
18	155671	SCREW TE 8x50 Zn
19	157471	CHROMED SPACER
20	15568	NUT DIAM.8
21	155022	RUBBER CAP
22	1558230	SCREW TE 6x30
23	1549161	HOOK/ REAR HANDLE
24	15562A	LOCKING NUT DIAM.6
25	154915	HANDLE TUBE
26	15568	NUT DIAM.8
27	15568	NUT DIAM.8
28	154917	UPPER HOOK
29	154914	SUPPORT FOR ACCESSORIES
30	155191	RIVET 4x22
31	8020031	WINDOW SQUEEGEE
32	159023	CLIP DIAM. 22 WITH HOOK FOR SPRAY GUN
33	159040C	COMPLETE FOAM/RINSE SPRAY GUN
34	159021	CLIP DIAM.22 WITH PLASTIC TERMINAL
	159020	CLIP DIAM.22 WITH RUBBER TERMINAL
38	153578C	COMPLETE TRIANGULAR VACUUM HEAD
39	1531802	4-PLACES CLIP, DIAM.32
40	15344C	HOSE 6x14 7,5m + QUICK CONNECTS
41	601177	BLOWER ATTACHMENT
42	13345EXT	BLOWER HOSE
43	8020273	COMPLETE VACUUM TOOL 40CM-DIAM.38
48	159022	TUBE FOR SOLUTION TANK FILLING
49	1549144	CLIP WITH SCREW
50	1549143	HOSE HOOK