

PF712DC

TABLE OF CONTENTS

PF712DC Cover Shot	3
PF712 and PF716 Base and Hood Assembly	5
PF712 and PF716 Handle	8
PF712 Furniture Guard and Brushroll	10
PF712-PF716 Motor	12
PF712-PF716 Dirt Cup	14

PF712DC Cover Shot

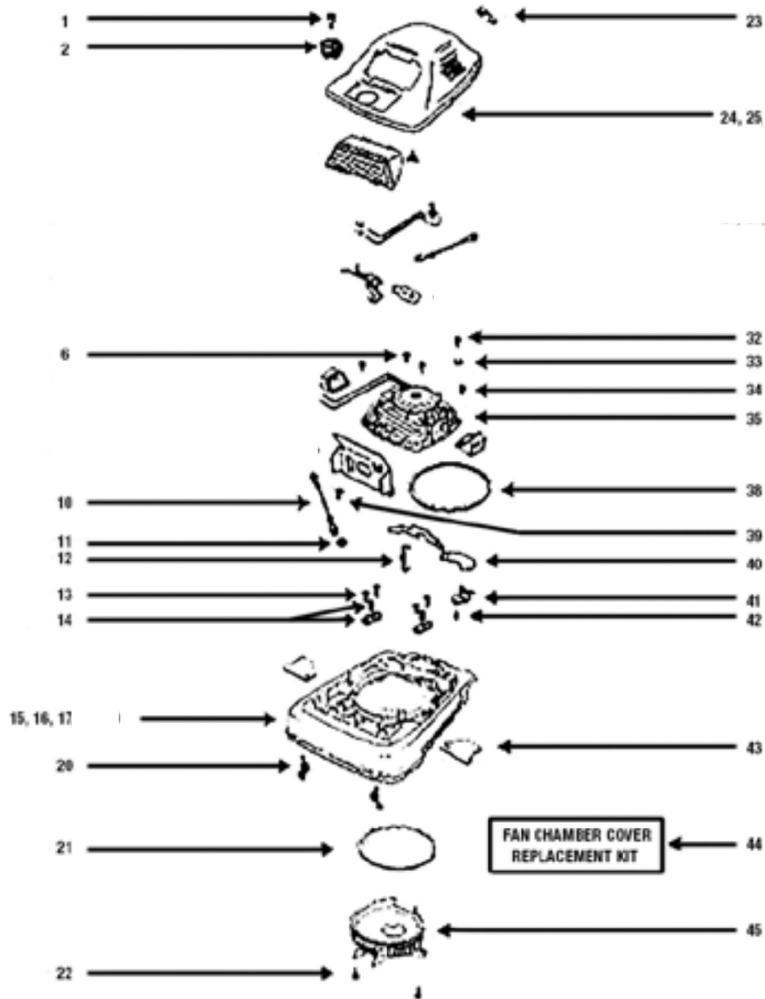


Rendered by LeadVenture, Inc.

PF712DC Cover Shot

Ref Number	Part Number	Part Description	Context Notes	Quantity
-------------------	--------------------	-------------------------	----------------------	-----------------

PF712 and PF716 Base and Hood Assembly



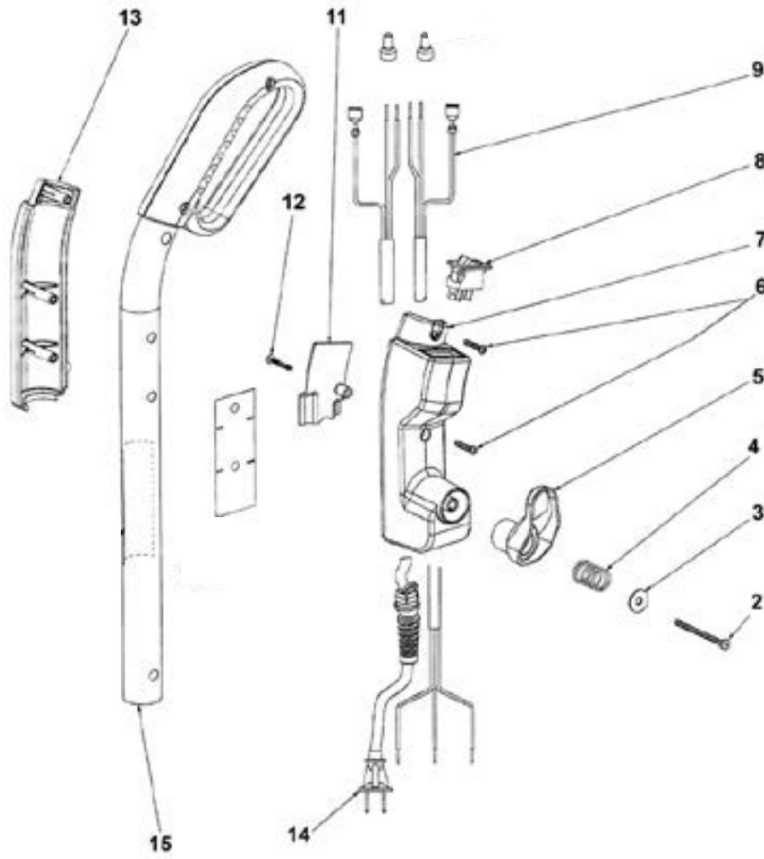
Rendered by LeadVenture, Inc.

PF712 and PF716 Base and Hood Assembly

Ref Number	Part Number	Part Description	Context Notes	Quantity
1	ER205	Shoulder Screw		1
2	X1795	Knob Assembly		1
6	ER325	Screw		1
10	X1831	Wire and Terminal Assembly		1
11	ER336	Nut		1
12	ER3	Foot Pedal Spring		1
13	ER325	Screw		6
14	ER332	Front Axle Screw and Clamp Assembly		2
15	X1823	Base Assembly		1
16	X1827	Base Assembly		1
17	X1796	Hood		1
20	ER4	Hood Spring		1
21	ER35	Gasket		1
22	ER305	Motor Mounting Screw		2
23	ER331	Strain Relief Bushing		1
24	X1824	Hood		1
25	X1797	Base Assembly		1
32	ER325	Screw		1
33	ER331	Strain Relief Bushing		1
34	ER325	Screw		1
35	ER632	Complete Motor Assembly		1
38	ER35	Gasket		1
39	ER307	Rear Axle Screw		1
40	ER2	Handle Release Foot Pedal		1
41	ER127	Bag Adapter Retainer Spring		1
42	ER336	Nut		1

Ref Number	Part Number	Part Description	Context Notes	Quantity
43	ER333	Wheel Cover		2
44	ER638	Fan Chamber Replacement Kit		1
45	ER644	Fan Cover		1
Not Shown 9	X1798	Speed Control PCB		1
Not Shown 10	ER958	Bellows Clamp		1
Not Shown 11	ER953	Bellows		1

PF712 and PF716 Handle

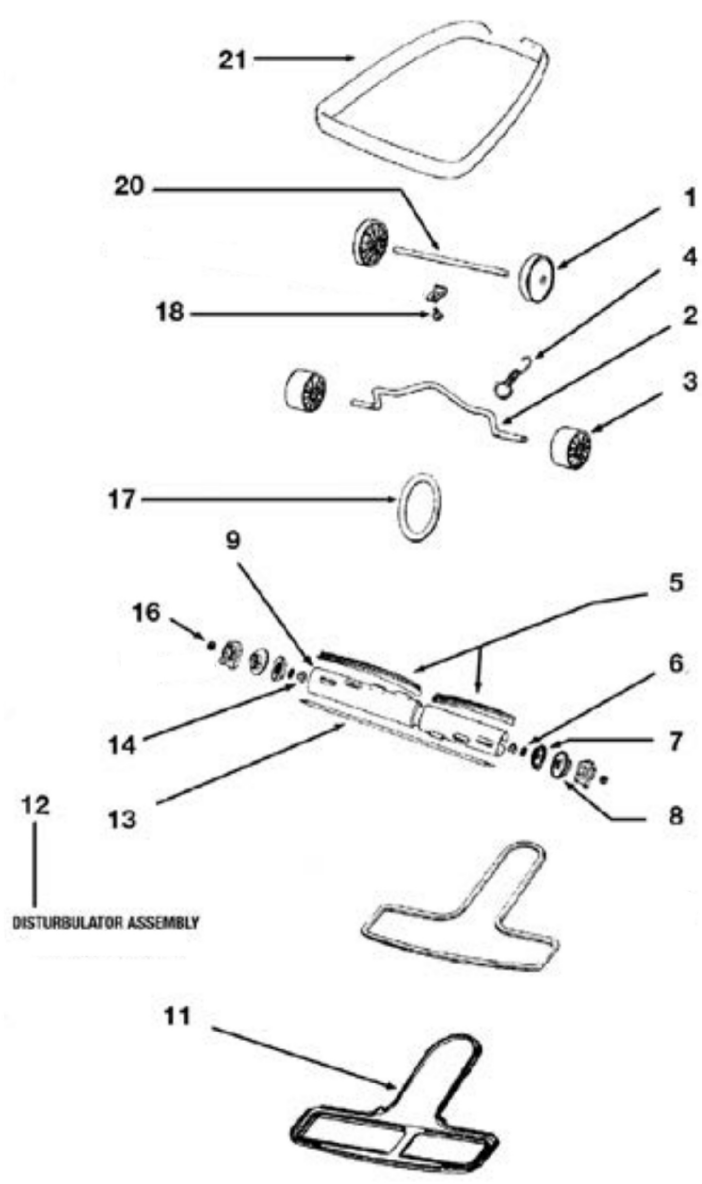


Rendered by LeadVenture, Inc.

PF712 and PF716 Handle

Ref Number	Part Number	Part Description	Context Notes	Quantity
2	X1801	Screw 10 pack		1
3	X1802	Washer 10 pack		1
4	X1803	Spring 10 pack		1
5	ER251	Cord Retainer		1
6	X1804	Screw 10 pack		1
7	X1805	Switch Housing LH		1
8	X1806	Rocker Switch		1
9	X1807	Upper Cord Assembly		1
11	X1808	Wiring Shield		1
12	X1794	Screw		1
13	X1882	Complete Upper Handle Assembly		1
14	X1811	Supply Cord Assembly		1
15	X1882	Complete Upper Handle Assembly		1
Not Shown 1	ER194	Extension Cord 18/3 50' SJT		1
Not Shown 2	X1813	Cord Lock		1
Not Shown 3	X1814	Lower Handle Tube		1
Not Shown 4	X1815	Cord Retainer Set		1
Not Shown 5	X1816	Handle Socket Shield		1
Not Shown 6	X1817	Handle Socket Assembly		1
Not Shown 7	X1818	Screw Package		1
Not Shown 8	ER20	Handle Nut and Bolt Assembly		1

PF712 Furniture Guard and Brushroll

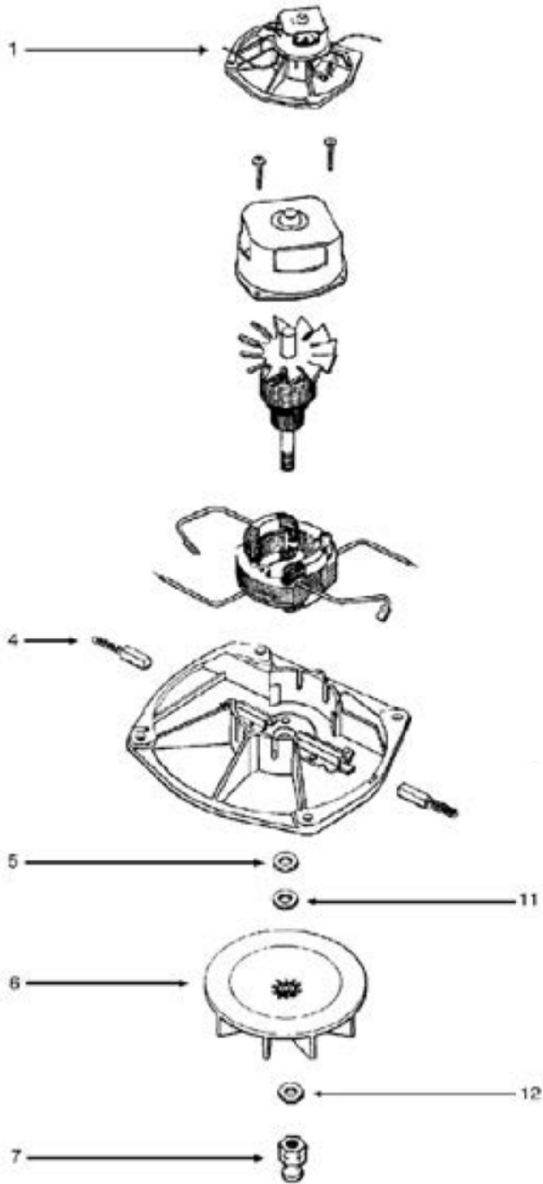


Rendered by LeadVenture, Inc.

PF712 Furniture Guard and Brushroll

Ref Number	Part Number	Part Description	Context Notes	Quantity
1	X1800	Rear Wheel		2
2	ER353	Front Axle		1
3	ER37	Front Wheel		2
4	ER308	Axle Spring		1
5	X1793	Bristle Strip		2
6	ER397	Bearing and Retainer Assembly		2
7	ER392	End Cap		2
8	ER390	Brushroll End Cap Cover		2
9	ER381	Disturbulator Tube		1
11	ER214	Bottom Plate Assembly		1
12	ER395	Complete Disturbulator Assembly		1
13	X1826	Disturbulator Shaft		1
14	ER398	Bearing Retainer		2
16	ER317	Nyloc Nut		2
17	ER7B	Belt		1
18	ER332	Front Axle Screw and Clamp Assembly		2
20	ER567	Rear Axle		1
21	87.035	Clear Bumper Strip		1
Not Shown	ER320	Washer		2
Not Shown	ER568	Hub Cap		2

PF712-PF716 Motor

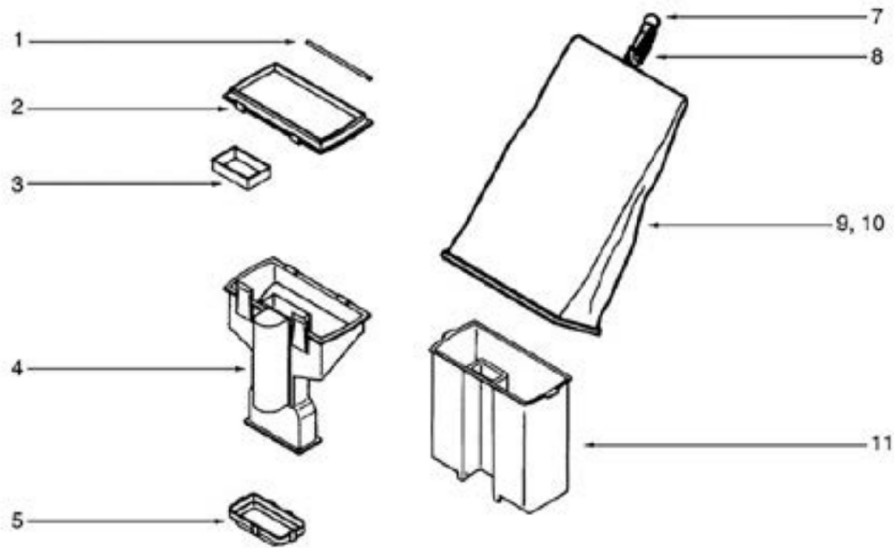


Rendered by LeadVenture, Inc.

PF712-PF716 Motor

Ref Number	Part Number	Part Description	Context Notes	Quantity
1	ER632	Complete Motor Assembly		1
4	ER623	Carbon Brush		2
5	ER344	Washer		1
6	ER66	Fan		1
7	ER202	Motor Pulley		1
11	ER17A	Fiber Washer		1
12	ER17A	Fiber Washer		1
Not Shown	X1818	Screw Package		1

PF712-PF716 Dirt Cup



Rendered by LeadVenture, Inc.

PF712-PF716 Dirt Cup

Ref Number	Part Number	Part Description	Context Notes	Quantity
1	ER601	Cover pin		1
2	59.832	Outer Bag Flange		1
3	09.033	Gasket		1
4	06.117	Support and Latch Assembly		1
5	06.897	Clamp		1
7	X1819	Steel Ring		1
8	X1820	Snap Hook		1
9	X1821	Bag Assembly		1
10	09.282	Gasket		1
11	X1822	Dirt Cup		1