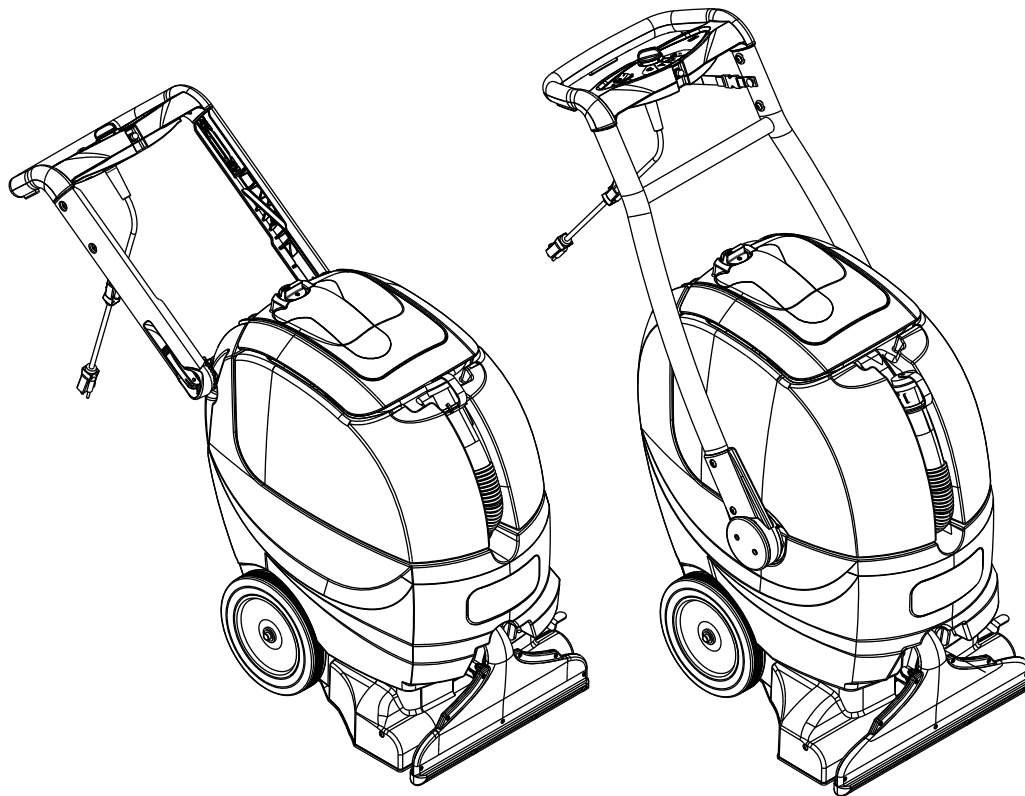


ES300 ST, ES300 XP, ES400 XLP

Parts List

7/2015 revised 12/2019 REV G
Form no. 56042641



Model No:
56265502 (ES300 ST)
56265500 (ES300 XP)
56265501 (ES400 XLP)

TABLE OF CONTENTS

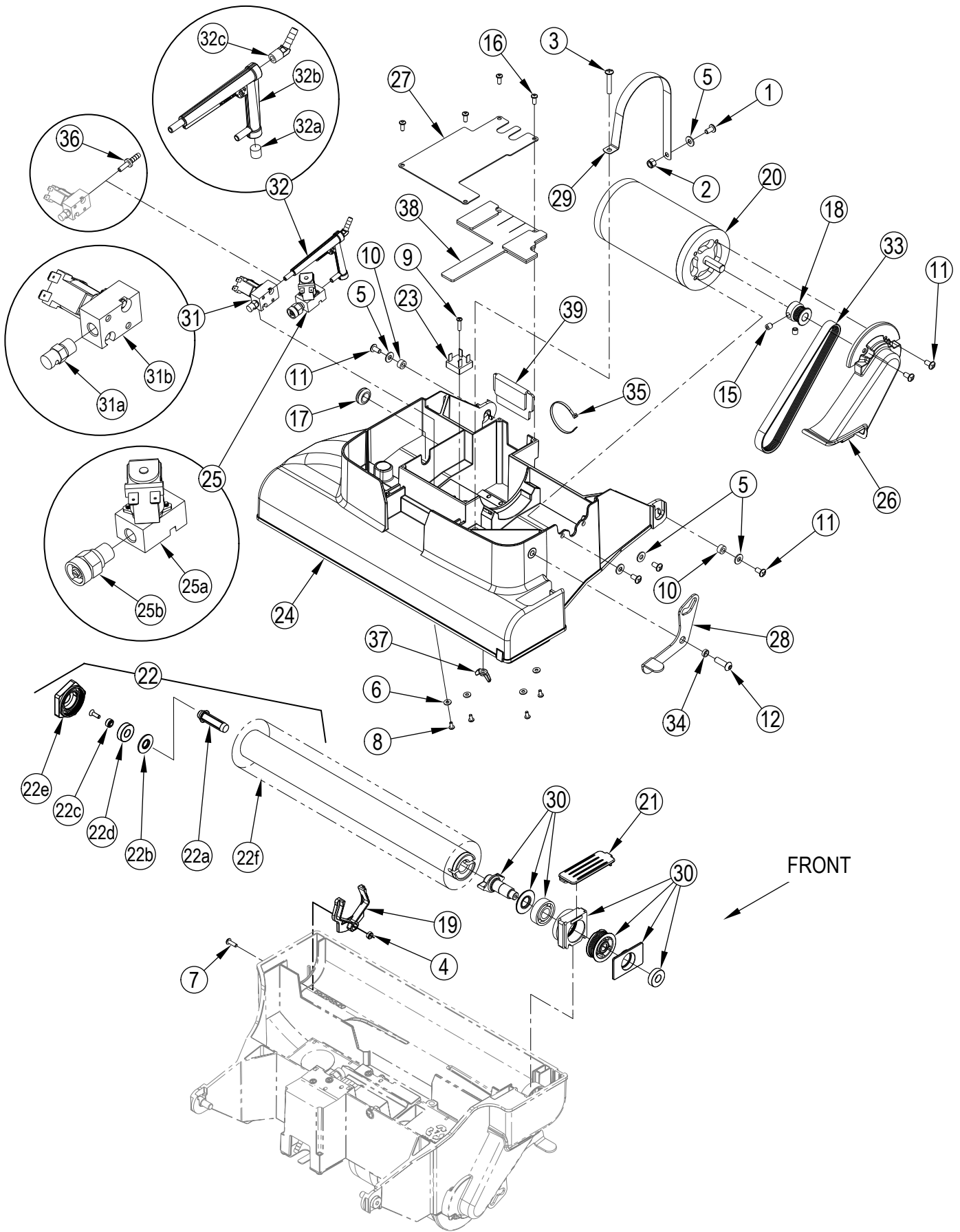
| DESCRIPTION | PAGE |
|-----------------------------------|-------|
| Base System | 2-3 |
| Decal System | 4-5 |
| Handle System 16ST | 6-7 |
| Handle System 16XP | 8-9 |
| Handle System 18XLP | 10-11 |
| Recovery System | 12-13 |
| Solution System 16ST-16XP-1 | 14-15 |
| Solution System 16ST-16XP-2 | 16-17 |
| Solution System 18XLP-1 | 18-19 |
| Solution System 18XLP-2 | 20-21 |
| Ladder Diagrams | 22-25 |
| Options & Accessories | 26 |
| Brush Selector Guide | 27 |

WHEN ORDERING PARTS

- * Use the part numbers from the "Ref. No." columns in this parts list.
- * Specify the model number and serial number of the machine.
- * Use the space below to record the model number and serial number for future reference.

Model No. _____ Serial No. _____

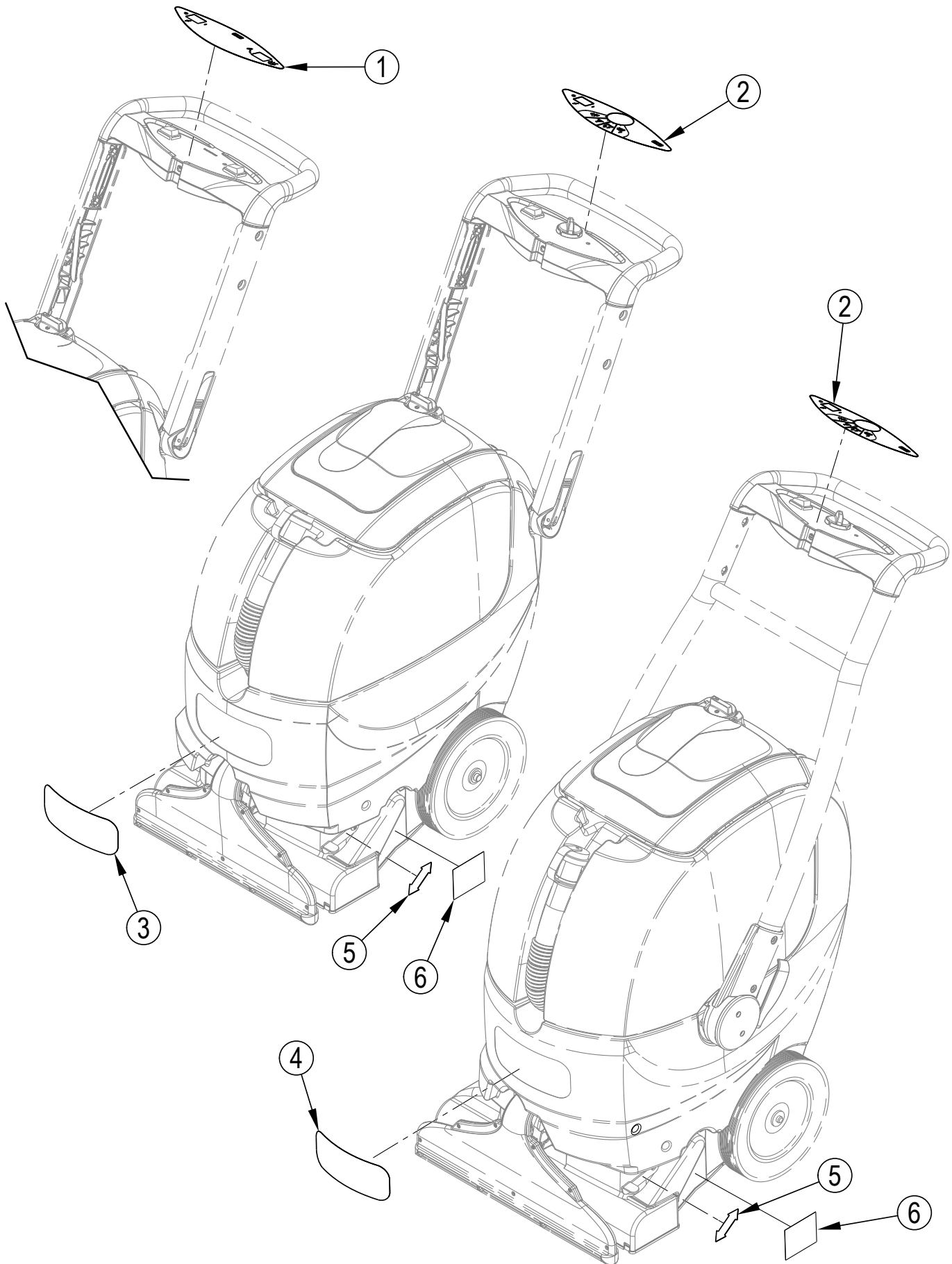
BASE SYSTEM



BASE SYSTEM

| Item | Ref. No. | Qty | Description | Item | Ref. No. | Qty | Description |
|------|----------|-----|---|------|----------|-----|---------------------------------------|
| 1 | 56002145 | 1 | Scr-Pan Phil 1/4-20 X .50 | 36 | 56265692 | 1 | Adapter-.25 Stem-.25 Barb (16ST only) |
| 2 | 56002491 | 1 | Nut-Hex Nyl Loc Ss 1/4-20 | 37 | 56009111 | 1 | Nut, Wing Ss 1/4-20 |
| 3 | 56002905 | 1 | Scr-Pan Phil Ss 1/4-20 X 1.50 | 38 | 56265790 | 1 | Gasket-Base-Elec Compartment |
| 4 | 56002849 | 1 | Nut, Hex Nyl Loc-Thin Ss 10-24 | 39 | 56265788 | 1 | Gasket-Base-Rear |
| 5 | 56002859 | 5 | Wsh-Flt Sae Ss 1/4 | | | | |
| 6 | 56002875 | 4 | Wsh-Flt Sae Ss #8 (qty of 2 on 16ST) | | | | # = Revised or new since last update |
| 7 | 56002896 | 1 | Scr-Pan Phil Ss 10-24 X .62 | | | | |
| 8 | 56003018 | 4 | Scr-Pan Phil Ss 8-32 X .38 (qty of 2 on 16ST) | | | | |
| 9 | 56003545 | 1 | Scr, Pan Phil Plastite 8-10 X .75 | | | | |
| 10 | 56265782 | 2 | Bushing-.26x.50x .25 Long | | | | |
| 11 | 56003897 | 6 | Scr-Pan Phil Loc Ss 1/4-20 X .50 | | | | |
| 12 | 56003963 | 1 | Scr-Botton Soc Ss 5/16-18x1.00 | | | | |
| 13 | | | DELETED | | | | |
| 14 | | | DELETED | | | | |
| 15 | 56009131 | 2 | Scr, Soc Set Loc 5/16-18 X .31 | | | | |
| 16 | 56003093 | 4 | Scr Pan Phil Plast 8-15 X .50 | | | | |
| 17 | 56157376 | 1 | Grommet | | | | |
| 18 | 56262558 | 1 | Sheave,Poly-V | | | | |
| 19 | 56265043 | 1 | Clip, Brush Retainer | | | | |
| 20 | 56265075 | 1 | Motor, 115 Vdc, 1/3 Hp M3 (16ST, 16XP, 18XLP) | | | | |
| 21 | 56265091 | 1 | Cover, Pulley | | | | |
| 22 | 56265044 | 1 | Brush Assembly 16 | | | | |
| 22a# | 56262644 | 1 | Spindle | | | | |
| 22b# | 56262646 | 1 | Washer, Bearing (Brush Assembly 16, Brush Assembly 18) | | | | |
| 22c# | 56262649 | 1 | Plug, Bearing (Brush Assembly 16, Brush Assembly 18) | | | | |
| 22d# | 56262626 | 1 | Bearing, Ball | | | | |
| 22e# | 56265045 | 1 | Block, Bearing | | | | |
| 22f# | 56265046 | 1 | Brush, 16 | | | | |
| | 56265099 | 1 | Brush Assembly 18 | | | | |
| | 56265065 | 1 | Brush, 18 | | | | |
| 23 | 56265103 | 1 | Rectifier, 35 Amp D1 | | | | |
| 24 | 56265818 | 1 | Base 16 Assembly (16ST, 16XP) | | | | |
| | 56265819 | 1 | Base 18 Assembly (18XLP) | | | | |
| 25 | 56265570 | 1 | Valve/Nozzle Assy-120v-Maint L2 (16XP, 18XLP only) | | | | |
| 25a | 56265560 | 1 | Valve-Solenoid-120v | | | | |
| 25b | 56265677 | 1 | Nozzle-Quick Veejet W/ Body | | | | |
| 26 | 56265629 | 1 | Cover-Belt | | | | |
| 27 | 56265657 | 1 | Cover-Electrical | | | | |
| 28 | 56265794 | 1 | Lever-Brush Storage | | | | |
| 29 | 56265676 | 1 | Strap-Motor | | | | |
| 30 | 56265690 | 1 | Bearing-Spindle Kit | | | | |
| | | 1 | Bearing, Ball | | | | |
| | | 1 | Washer,Bearing | | | | |
| | | 1 | Bearing,Block | | | | |
| | | 1 | Spindle,Drive | | | | |
| | | 1 | Bearing Block-Drive | | | | |
| | | 1 | Sheave-Poly-V-6j17 | | | | |
| | | 1 | Ring Ball .6693 Cv25d 1 | | | | |
| 31 | 56265746 | 1 | Valve/Nozzle Assy-120v-Restore L1 | | | | |
| 31a | 56265052 | 1 | Nozzle Spray | | | | |
| 31b | 56265561 | 1 | Valve-Solenoid-230v | | | | |
| 32 | 56265762 | 1 | Manifold Assembly (16XP, 18XLP only) | | | | |
| 32a | 56106046 | 1 | Plug Pipe 1/8 Brass E00040 | | | | |
| 32b | 56265521 | 1 | Manifold-Nozzle | | | | |
| 32c | | 1 | Elbow-45deg-1/4 Barbx1/8npt | | | | |
| 33 | 56315321 | 1 | Belt, Auto Tension | | | | |
| 34 | 56381818 | 1 | Bushing .32x.44x.15 | | | | |
| 35 | 56478246 | 1 | Tie, Cable | | | | |

DECAL SYSTEM



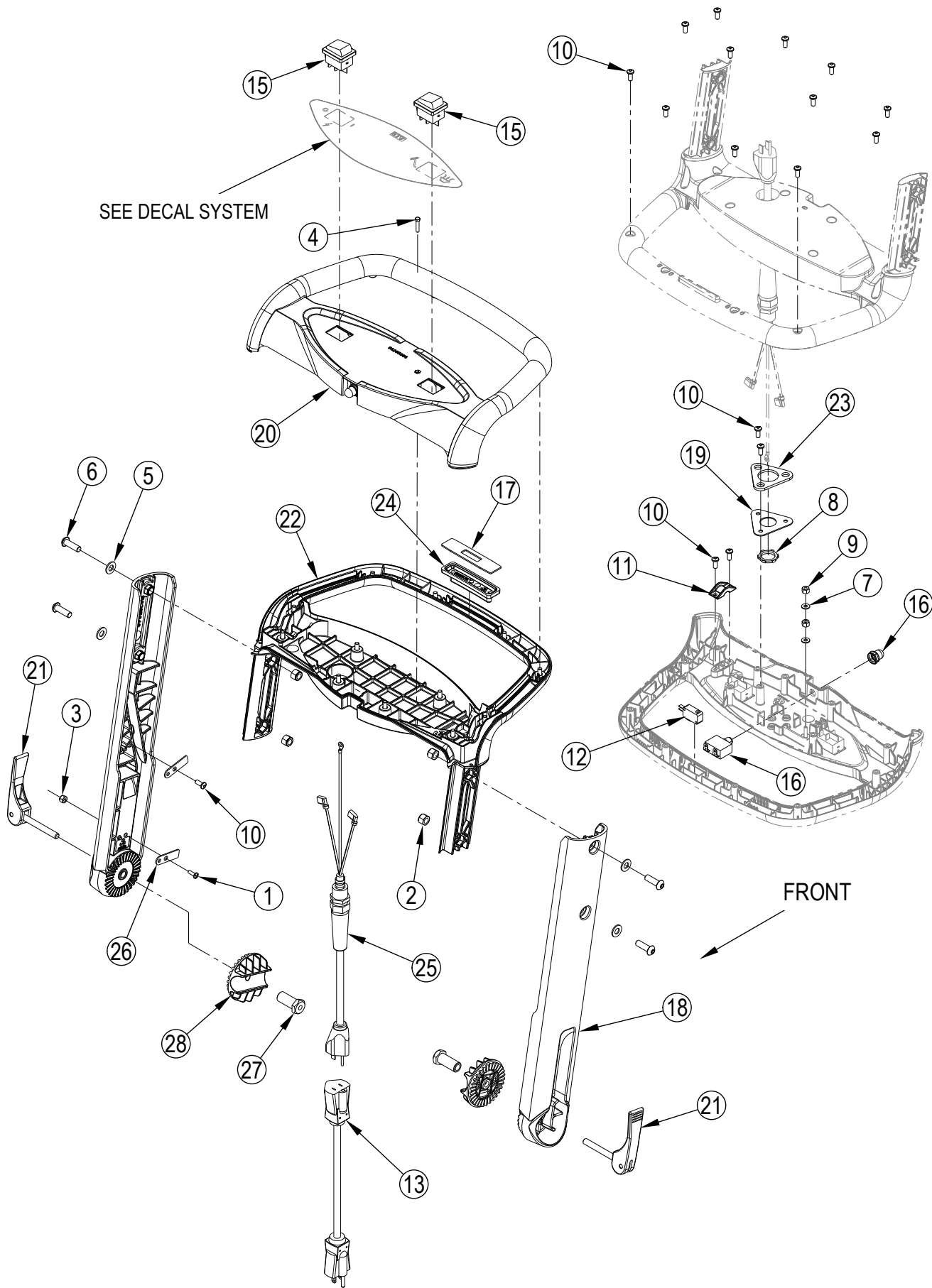
DECAL SYSTEM

| Item | Ref. No. | Qty | Description |
|-------------|-----------------|------------|--|
| 1 | 56265727 | 1 | Decal-Panel (ES300 ST) |
| 2 | 56265567 | 1 | Decal-Panel (ES300 XP, ES400 XLP) |
| 3 | 56265728 | 1 | Decal-ES300ST |
| | 56265695 | 1 | Decal-ES300XP |
| 4 | 56265696 | 1 | Decal-ES400XLP |
| 5 | 56265750 | 1 | Decal-Storage Lock (ES300 ST, ES300 XP, ES400 XLP) |
| 6 | 56265792 | 1 | Decal-Cri Gold |
| []# | 56394259 | 1 | Decal-Prop65 |

= Revised or new since last update

[] = Not Shown

HANDLE SYSTEM 16ST

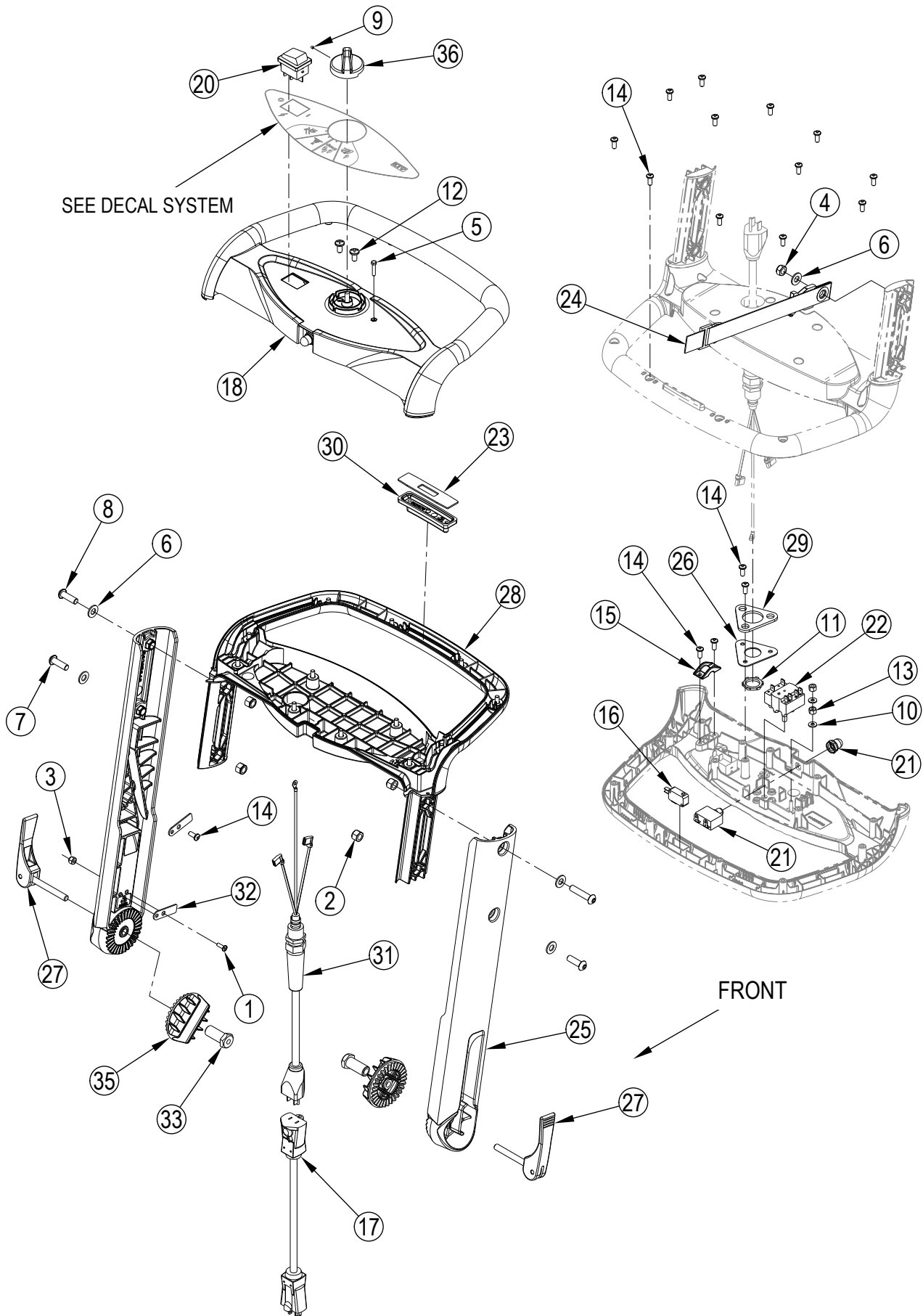


HANDLE SYSTEM 16ST

| Item | Ref. No. | Qty | Description |
|------|----------|-----|--------------------------------------|
| 1 | 56002146 | 1 | Scr-Pan Phil 8-32 X .62 |
| 2 | 56002701 | 4 | Nut, Hex Nyl Loc 5/16-18 |
| 3 | 56002808 | 1 | Nut, Hex Nyl Loc 8-32 |
| 4 | 56002874 | 1 | Scr- Hex Ss 8-32 X .75 |
| 5 | 56002938 | 4 | Wsh-Flt Sae Ss 5/16 |
| 6 | 56003963 | 4 | Scr-Botton Soc Ss 5/16-18x1.00 |
| 7 | 56009010 | 2 | Wsh, Int Shprt #8 |
| 8 | 56009095 | 1 | Nut, Conduit Lock 1/2-14 |
| 9 | 56009148 | 2 | Nut-Hex Machine 8-32 |
| 10 | 56009191 | 17 | Scr, Pan Phil Plastite 10-14 X .50 |
| 11 | 56264119 | 1 | Clamp, Power Cord |
| 12 | 56265098 | 1 | Switch, Spdt Snapaction S4 |
| 13 | 56265112 | 1 | Cord Set-14/3x50' Yel |
| [14] | 56265547 | 1 | Harness-Main |
| 15 | 56265549 | 2 | Switch-Rocker-Dpst S1 |
| 16 | 56265550 | 1 | Circuit Breaker-W/Boot-5a CB1 |
| 17 | 56265564 | 1 | Plate-Switch Retainer |
| 18 | 56265648 | 2 | Handle Tube-Ratchet |
| 19 | 56265659 | 1 | Plate-Cord Mounting |
| 20 | 56265666 | 1 | Handle-Top Cover-St |
| 21 | 56265682 | 2 | Lever-Locking Assembly |
| 22 | 56265693 | 1 | Handle-Bottom Cover-St |
| 23 | 56265698 | 1 | Gasket-Cord Mount |
| 24 | 56265715 | 1 | Button-Handle |
| 25 | 56265718 | 1 | Cord-Pigtail |
| 26 | 56265748 | 2 | Retainer-Harness |
| 27 | 56265752 | 2 | Bushing-Cam Adjustment |
| 28 | 56265815 | 2 | Ratchet Handle Adjuster |

[] = Not Shown

HANDLE SYSTEM 16XP



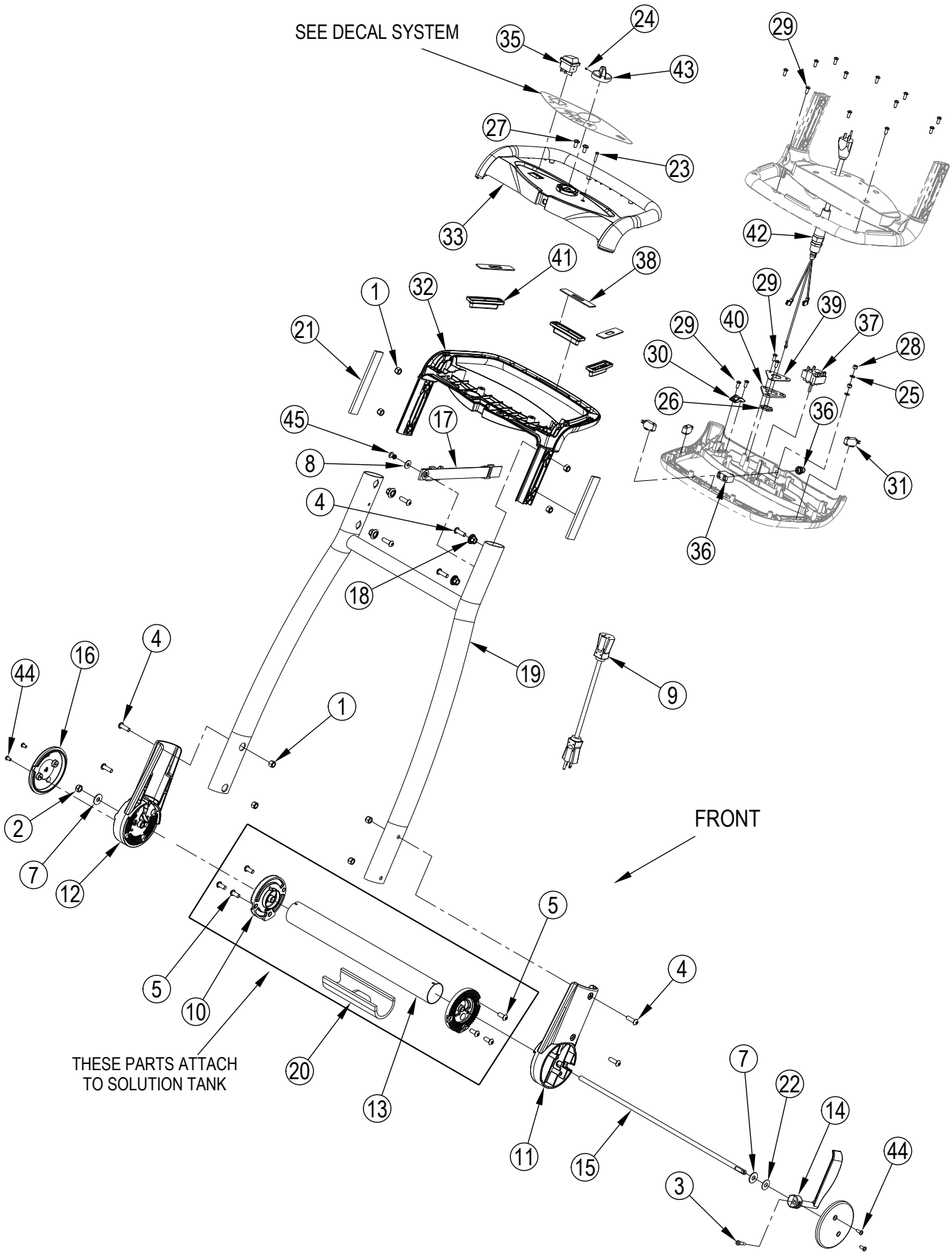
HANDLE SYSTEM 16XP

| Item | Ref. No. | Qty | Description |
|-------------|-----------------|------------|--------------------------------------|
| 1 | 56002146 | 1 | Scr-Pan Phil 8-32 X .62 |
| 2 | 56002701 | 4 | Nut, Hex Nyl Loc 5/16-18 |
| 3 | 56002808 | 1 | Nut, Hex Nyl Loc 8-32 |
| 4 | 56002851 | 1 | Nut, Hex Nyl Loc-Thin Ss 5/16-18 |
| 5 | 56002874 | 1 | Scr- Hex Ss 8-32 X .75 |
| 6 | 56002938 | 5 | Wsh-Flt Sae Ss 5/16 |
| 7 | 56003963 | 3 | Scr-Botton Soc Ss 5/16-18x1.00 |
| 8 | 56003984 | 1 | Scr-Button Soc Ss 5/16-18x1.50 |
| 9 | 56003992 | 1 | Scr-Soc Set M3-0.5x3 Ss |
| 10 | 56009010 | 2 | Wsh, Int Shprt #8 |
| 11 | 56009095 | 1 | Nut, Conduit Lock 1/2-14 |
| 12 | 56009129 | 2 | Scr, Pan Phil Type B 6 X .38 |
| 13 | 56009148 | 2 | Nut-Hex Machine 8-32 |
| 14 | 56009191 | 17 | Scr, Pan Phil Plastite 10-14 X .50 |
| 15 | 56264119 | 1 | Clamp, Power Cord |
| 16 | 56265098 | 1 | Switch, Spdt Snapaction S4 |
| 17 | 56265112 | 1 | Cord Set-14/3x50' Yel |
| 18 | 56265544 | 1 | Handle-Top Cover |
| [19] | 56265547 | 1 | Harness-Main |
| 20 | 56265549 | 1 | Switch-Rocker-Dpst S1 |
| 21 | 56265550 | 1 | Circuit Breaker-W/Boot-5a CB1 |
| 22 | 56265551 | 1 | Rotary Switch S2 |
| 23 | 56265564 | 1 | Plate-Switch Retainer |
| 24 | 56265639 | 1 | Strap/Buckle Assembly |
| 25 | 56265648 | 2 | Handle Tube-Ratchet |
| 26 | 56265659 | 1 | Plate-Cord Mounting |
| 27 | 56265682 | 2 | Lever-Locking Assembly |
| 28 | 56265693 | 1 | Handle-Bottom Cover-St |
| 29 | 56265698 | 1 | Gasket-Cord Mount |
| 30 | 56265715 | 1 | Button-Handle |
| 31 | 56265718 | 1 | Cord-Pigtail |
| 32 | 56265748 | 2 | Retainer-Harness |
| 33 | 56265752 | 2 | Bushing-Cam Adjustment |
| [34] | 56265769 | 2 | Jumper-18awg Wire |
| 35 | 56265815 | 2 | Ratchet Handle Adjuster |
| 36 | 9097283000 | 1 | Knob Control Functions |

[] = Not Shown

HANDLE SYSTEM 18XLP

SEE DECAL SYSTEM

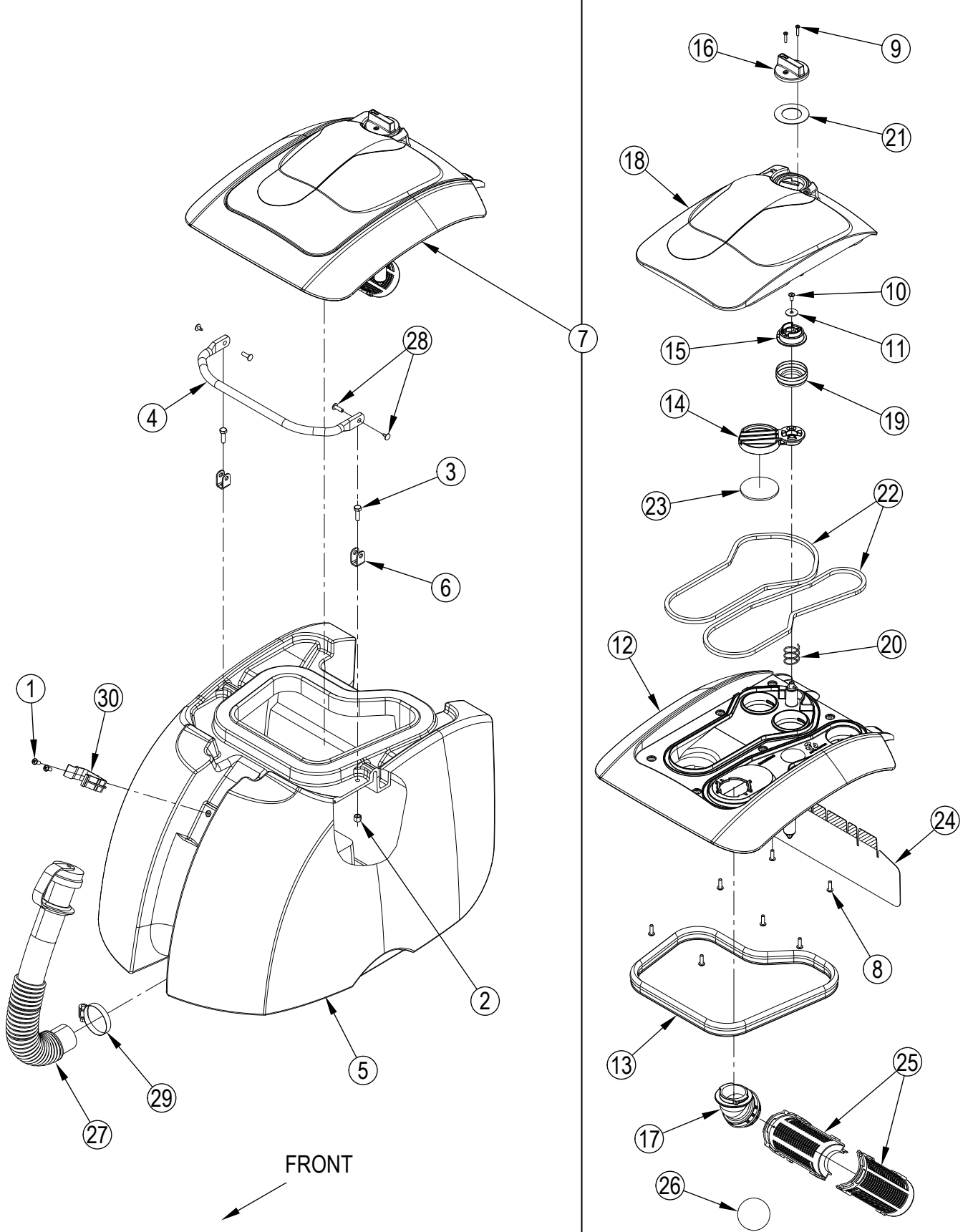


HANDLE SYSTEM 18XLP

| Item | Ref. No. | Qty | Description |
|-------------|-----------------|------------|---|
| 1 | 56002701 | 8 | Nut, Hex Nyl Loc 5/16-18 |
| 2 | 56002852 | 1 | Nut, Hex Nyl Loc-Thin Ss 3/8-16 |
| 3 | 56003624 | 1 | Scr-Soc Shd .25 X .50 X 10-24 |
| 4 | 56003963 | 8 | Scr-Botton Soc Ss 5/16-18x1.00 |
| 5 | 56003994 | 6 | Scr-Button Soc Ss 5/16-18x.75 |
| 6 | | | Intentionally Omitted |
| 7 | 56385358 | 2 | Washer |
| 8 | 56002914 | 1 | Wsh, Flt Std Ss 1/4 |
| 9 | 56265112 | 1 | Cord Set-14/3x50' Yel |
| 10 | 56265525 | 2 | Mount-Ratchet |
| 11 | 56265526 | 1 | Handle-Socket-W/Hole |
| 12 | 56265527 | 1 | Handle-Socket-W/O Hole |
| 13 | 56265528 | 1 | Sleeve-Steel-2.0 Dia |
| 14 | 56265797 | 1 | Lever-Cam |
| 15 | 56265530 | 1 | Shaft-Cam Lock |
| 16 | 56265533 | 2 | Cap-Ratchet |
| 17 | 56265639 | 1 | Strap/Buckle Assembly |
| 18 | 56265658 | 4 | Bushing-Handle |
| 19 | 56265688 | 1 | Handle Weldment |
| 20 | 56265744 | 1 | Gasket-Handle Tube |
| 21 | 56265768 | 2 | Gasket-Handle-.25 X 1.0 X 6.0 |
| 22 | 56632681 | 1 | Washer, 3/8 Pl. Nylon |
| 23 | 56002874 | 1 | Scr- Hex Ss 8-32 X .75 |
| 24 | 56003992 | 1 | Scr-Soc Set M3-0.5x3 Ss |
| 25 | 56009010 | 2 | Wsh, Int Shprt #8 |
| 26 | 56009095 | 1 | Nut, Conduit Lock 1/2-14 |
| 27 | 56009129 | 2 | Scr, Pan Phil Type B 6 X .38 |
| 28 | 56009148 | 2 | Nut-Hex Machine 8-32 |
| 29 | 56009191 | 16 | Scr, Pan Phil Plastite 10-14 X .50 |
| 30 | 56264119 | 1 | Clamp, Power Cord |
| 31 | 56265098 | 3 | Switch, Spdt Snapaction S4 / S5 / S6 |
| 32 | 56265543 | 1 | Handle-Bottom Cover |
| 33 | 56265544 | 1 | Handle-Top Cover |
| [34] | 56265547 | 1 | Harness-Main |
| 35 | 56265549 | 1 | Switch-Rocker-Dpst S1 |
| 36 | 56265550 | 1 | Circuit Breaker-W/Boot-5a CB1 |
| 37 | 56265551 | 1 | Rotary Switch S2 |
| 38 | 56265564 | 3 | Plate-Switch Retainer |
| 39 | 56265659 | 1 | Plate-Cord Mounting |
| 40 | 56265698 | 1 | Gasket-Cord Mount |
| 41 | 56265715 | 3 | Button-Handle |
| 42 | 56265718 | 1 | Cord-Pigtail |
| 43 | 9097283000 | 1 | Knob Control Functions |
| 44 | 56009247 | 4 | Scr Pn Phil Plastite 10-14x.38 |
| 45 | 83002A | 1 | Rivet-1/4 Dia X .490 Pop |

[] = Not Shown

RECOVERY SYSTEM



RECOVERY SYSTEM

| Item | Ref. No. | Qty | Description |
|------|----------|-----|---|
| 1 | 56002900 | 2 | Scr-Pan Phil Ss 10-24 X .50 |
| 2 | 56003426 | 2 | Nut, Hex Nyl Loc Ss M6-1 |
| 3 | 56003454 | 2 | Scr-Hex Thd To Hd Ss M6-1 X 20mm |
| 4 | 56265793 | 1 | Handle-Tank |
| 5 | 56265523 | 1 | Recovery Tank-16 (16ST, 16XP) |
| | 56265623 | 1 | Recovery Tank-18 (18XLP) |
| 6 | 56265630 | 2 | Bracket-Handle Retainer |
| 7# | 56265660 | 1 | Recovery Lid Assembly |
| 8 | 56002896 | 7 | Scr-Pan Phil Ss 10-24 X .62 |
| 9 | 56003197 | 2 | Scr, Pan Phil Plastite 6-18 X .62 |
| 10 | 56003913 | 1 | Scr-Pan Phil Loc Ss 10-24 X .38 |
| 11 | 56009349 | 1 | Wsh-Fit Ss .204 X .750 X .050 |
| 12 | 56265589 | 1 | Lid-Recovery Tank |
| 13 | 56265604 | 1 | Gasket-Recovery Tank |
| 14 | 56265799 | 1 | Paddle-Valve |
| 15 | 56265798 | 1 | Actuator-Valve |
| 16 | 56265795 | 1 | Knob-Valve |
| 17 | 56265654 | 1 | Adapter-Ball Float |
| 18 | 56265655 | 1 | Cover-Recovery Lid |
| 19 | 56265681 | 1 | Seal-Diverter Valve |
| 20 | 56265709 | 1 | Spring-Compression-Ss |
| 21 | 56265710 | 1 | Seal-Selector Knob TSB-FC-2017-034 |
| 22 | 56265737 | 2 | Gasket-Lid-Poron-.25x.25 |
| 23 | 56265738 | 1 | Gasket-Paddle-Poron-.125x2.38 |
| 24 | 56265783 | 1 | Barrier-Flexible-Lid |
| 25 | 56324497 | 2 | Cage, Float |
| 26 | 56391690 | 1 | Ball- Float |
| 27 | 56265685 | 1 | Hose Drain 1.5 Inch |
| 28 | 56265747 | 2 | Binding Post-Quick Install |
| 29 | 56329145 | 1 | Clamp- Hose Sae #24 |
| 30 | 56331154 | 1 | Clamp, Plastic |

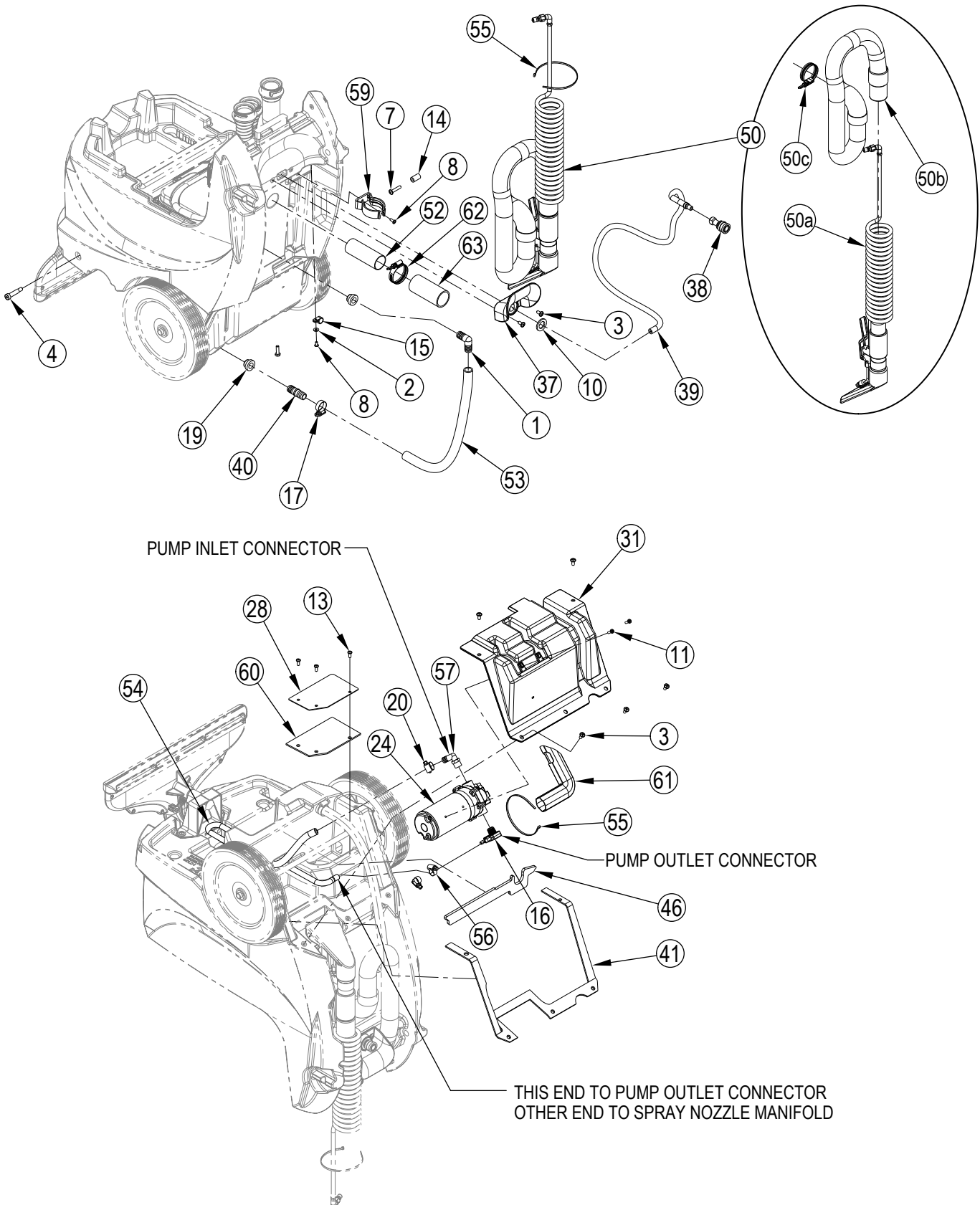
= Revised or new since last update

SOLUTION SYSTEM 16ST-16XP-1

| Item | Ref. No. | Qty | Description | Item | Ref. No. | Qty | Description |
|------|----------|-----|--|------|------------|-----|--|
| 1 | 832803 | 1 | Elbow-5/8 Hose | 34 | 56265665 | 1 | Gasket-Vac Motor Cover |
| 2 | 56001954 | 6 | Wsh, Flt Sae #10 | 35 | | | Intentionally Omitted |
| 3 | 56003897 | 7 | Scr-Pan Phil Loc Ss 1/4-20 X .50 | 36 | 56265697 | 2 | Wheel-10.00x1.75x.50 |
| 4 | 56002624 | 1 | Scr-Soc Shd .38 X 1.25 X 5/16-18 | 37 | 56265704 | 1 | Hook-Hose Storage |
| 5 | 56329145 | 1 | Clamp- Hose Sae #24 | 38 | 56265705 | 1 | Socket-Quick Disconnect-1/8 Npt |
| 6 | 56002914 | 2 | Wsh, Flt Std Ss 1/4 | 39 | 56265708 | 1 | Hose Assembly-Solution |
| 7 | 56002958 | 2 | Scr-Pan Phil Ss 1/4-20 X 1.25 | 40 | 56265712 | 1 | Coupler-Barb-5/8 |
| 8 | 56003913 | 2 | Scr-Pan Phil Loc Ss 10-24 X .38 | 41 | 56265722 | 1 | Gasket-Back Panel |
| 9 | 56003091 | 6 | Scr. Pan Phil Plastite 10-14 X .75 | 42 | 56265725 | 1 | Solution Filter Assembly-16 |
| 10 | 56009022 | 1 | Wsh, Flt .754 X 1.250 X .120 | 43 | 56265732 | 1 | Gasket-Vac Exhaust Chamber |
| 11 | 56009043 | 2 | Scr Pan Phil Thd Form10-24x.75 | 44 | 56265733 | 1 | Gasket-Vac Exhaust Port |
| 12 | 56009097 | 2 | Nut, Push Cap 1/2 | 45 | 56265734 | 1 | Gasket-Vac Chamber-Side |
| 13 | 56009191 | 4 | Scr. Pan Phil Plastite 10-14 X .50 | 46 | 56265735 | 1 | Gasket-Backpanel-Bottom |
| 14 | 56052237 | 2 | Spacer, Phenolic | 47 | 56265739 | 1 | Gasket-Sound-Vac Hose |
| 15 | 56056903 | 1 | Clamp-P | 48 | | | Intentionally Omitted |
| 16 | 56109503 | 1 | Double Barb Assy | 49 | 56265766 | 1 | Hose-Spiral-.500 X 52.00 |
| 17 | 56112771 | 1 | Clamp- Hose Sae #10 | 50 | 56265767 | 1 | Hand Tool/Hoses Assembly |
| 18 | 56116110 | 1 | Seal-Inlet | 50a | | 1 | Hand Tool/Hose Assembly |
| 19 | 56116721 | 2 | Grommet-.59x.78x.62 | 50b | 56265700 | 1 | Hose Assembly-Hand Tool |
| 20 | 56219932 | 2 | Clamp- Hose Sae #6 | 50c | 56265791 | 1 | Clamp-Hose Keyed Worm Drive |
| 21 | 56265057 | 1 | Axle | 51 | 56315141 | 3 | Mount, Vibration |
| 22 | 56265522 | 1 | Tank-Solution-16 | 52 | 56381838 | 1 | Tube Alum 1 1/2 Od X 4 |
| 23 | 56265552 | 1 | Motor-Vacuum-120v M2 | 53 | 56265745 | 1 | Hose-Pvc-5/8x20.60 |
| | 56265683 | 1 | Carbon Brush Kit-Set Of 2 (for 56265552) | 54 | 56265373 | 1 | Hose .25x21.0 E00160 (16ST only) |
| 24 | 56265554 | 1 | Pump-115vac-120psi M1 | | 56456560 | 1 | Hose .25x15.0 E00160 (16XP only) |
| 25 | 56265582 | 1 | Cover-Vac Motor | 55 | 56478523 | 3 | Tie, Cable |
| 26 | 56265583 | 1 | Plate-Vac Motor | 56 | 56756364 | 2 | Clamp- Hose Sae #4 |
| 27 | 56265586 | 1 | Vac Hose Assembly | 57 | 56109566 | 1 | Barb, 90 Elbow 1/2 X 3/8npt |
| 28 | 56265617 | 1 | Cover-Vac Inlet | 58 | 9096595000 | 1 | Flat Tie Holder |
| 29 | 56265625 | 1 | Hose Assembly | 59 | | 1 | Clamp-Hose NOTE 1 |
| 30 | 56265626 | 1 | Vac Hose Assembly-W/Elbow | 60 | 56265789 | 1 | Gasket-Vac-Inlet Cover |
| 31 | 56265631 | 1 | Cover-Back | 61 | 56265787 | 1 | Boot-Pump |
| 32 | 56265646 | 1 | Bracket-Shoe | 62 | 56265791 | 1 | Clamp-Hose Keyed Worm Drive |
| 33 | 56265650 | 1 | Shoe/Latch Assembly-16 | 63 | 56055989 | 1 | Cuff Hose |
| 33a | 56009247 | 2 | Scr. Pan Phil Plastite 10-14x .38 | 64 | 56003221 | 2 | Scr-Hex Loc SS 1/4-20 x .75 TSB-FC-2016-269 |
| 33b | 56265538 | 1 | Shoe Assembly-16 | 65 | 56209261 | 1 | Washer, Sealing 9/16 |
| 33c | 56265796 | 1 | Latch-Shoe | | | | |
| 33d | 1326a | 2 | Washer Flat S.S 10 X11/1 | | | | |
| 33e | 54196a | 1 | Spring Extension | | | | |

NOTE 1: To replace, order Clamp Kit 9096380000.

SOLUTION SYSTEM 16ST-16XP-2



SOLUTION SYSTEM 16ST-16XP-2

| Item | Ref. No. | Qty | Description |
|------|----------|-----|--|
| 1 | 832803 | 1 | Elbow-5/8 Hose |
| 2 | 56001954 | 6 | Wsh. Flt Sae #10 |
| 3 | 56003897 | 7 | Scr-Pan Phil Loc Ss 1/4-20 X .50 |
| 4 | 56002624 | 1 | Scr-Soc Shd .38 X 1.25 X 5/16-18 |
| 5 | 56329145 | 1 | Clamp- Hose Sae #24 |
| 6 | 56002914 | 2 | Wsh. Flt Std Ss 1/4 |
| 7 | 56002958 | 2 | Scr-Pan Phil Ss 1/4-20 X 1.25 |
| 8 | 56003913 | 2 | Scr-Pan Phil Loc Ss 10-24 X .38 |
| 9 | 56003091 | 6 | Scr. Pan Phil Plastite 10-14 X .75 |
| 10 | 56009022 | 1 | Wsh. Flt .754 X 1.250 X .120 |
| 11 | 56009043 | 2 | Scr Pan Phil Thd Form10-24x.75 |
| 12 | 56009097 | 2 | Nut. Push Cap 1/2 |
| 13 | 56009191 | 4 | Scr. Pan Phil Plastite 10-14 X .50 |
| 14 | 56052237 | 2 | Spacer, Phenolic |
| 15 | 56056903 | 1 | Clamp-P |
| 16 | 56109503 | 1 | Double Barb Assy |
| 17 | 56112771 | 1 | Clamp- Hose Sae #10 |
| 18 | 56116110 | 1 | Seal-Inlet |
| 19 | 56116721 | 2 | Grommet-.59x.78x.62 |
| 20 | 56219932 | 2 | Clamp- Hose Sae #6 |
| 21 | 56265057 | 1 | Axle |
| 22 | 56265522 | 1 | Tank-Solution-16 |
| 23 | 56265552 | 1 | Motor-Vacuum-120v M2 |
| | 56265683 | 1 | Carbon Brush Kit-Set Of 2 (for 56265552) |
| 24 | 56265554 | 1 | Pump-115vac-120psi M1 |
| 25 | 56265582 | 1 | Cover-Vac Motor |
| 26 | 56265583 | 1 | Plate-Vac Motor |
| 27 | 56265586 | 1 | Vac Hose Assembly |
| 28 | 56265617 | 1 | Cover-Vac Inlet |
| 29 | 56265625 | 1 | Hose Assembly |
| 30 | 56265626 | 1 | Vac Hose Assembly-W/Elbow |
| 31 | 56265631 | 1 | Cover-Back |
| 32 | 56265646 | 1 | Bracket-Shoe |
| 33 | 56265650 | 1 | Shoe/Latch Assembly-16 |
| 33a | 56009247 | 2 | Scr. Pan Phil Plastite 10-14x .38 |
| 33b | 56265538 | 1 | Shoe Assembly-16 |
| 33c | 56265796 | 1 | Latch-Shoe |
| 33d | 1326a | 2 | Washer Flat S.S 10 X11/1 |
| 33e | 54196a | 1 | Spring Extension |

| Item | Ref. No. | Qty | Description |
|------|------------|-----|--|
| 34 | 56265665 | 1 | Gasket-Vac Motor Cover |
| 35 | | | Intentionally Omitted |
| 36 | 56265697 | 2 | Wheel-10.00x1.75x.50 |
| 37 | 56265704 | 1 | Hook-Hose Storage |
| 38 | 56265705 | 1 | Socket-Quick Disconnect-1/8 Npt |
| 39 | 56265708 | 1 | Hose Assembly-Solution |
| 40 | 56265712 | 1 | Coupler-Barb-5/8 |
| 41 | 56265722 | 1 | Gasket-Back Panel |
| 42 | 56265725 | 1 | Solution Filter Assembly-16 |
| 43 | 56265732 | 1 | Gasket-Vac Exhaust Chamber |
| 44 | 56265733 | 1 | Gasket-Vac Exhaust Port |
| 45 | 56265734 | 1 | Gasket-Vac Chamber-Side |
| 46 | 56265735 | 1 | Gasket-Backpanel-Bottom |
| 47 | 56265739 | 1 | Gasket-Sound-Vac Hose |
| 48 | | | Intentionally Omitted |
| 49 | 56265766 | 1 | Hose-Spiral-.500 X 52.00 |
| 50 | 56265767 | 1 | Hand Tool/Hoses Assembly |
| 50a | | 1 | Hand Tool/Hose Assembly |
| 50b | 56265700 | 1 | Hose Assembly-Hand Tool |
| 50c | 56265791 | 1 | Clamp-Hose Keyed Worm Drive |
| 51 | 56315141 | 3 | Mount, Vibration |
| 52 | 56381838 | 1 | Tube Alum 1 1/2 Od X 4 |
| 53 | 56265745 | 1 | Hose-Pvc-5/8x20.60 |
| 54 | 56265373 | 1 | Hose .25x21.0 E00160 (16ST only) |
| | 56456560 | 1 | Hose .25x15.0 E00160 (16XP only) |
| 55 | 56478523 | 3 | Tie. Cable |
| 56 | 56756364 | 2 | Clamp- Hose Sae #4 |
| 57 | 56109566 | 1 | Barb. 90 Elbow 1/2 X 3/8npt |
| 58 | 9096595000 | 1 | Flat Tie Holder |
| 59 | | 1 | Clamp-Hose NOTE 1 |
| 60 | 56265789 | 1 | Gasket-Vac-Inlet Cover |
| 61 | 56265787 | 1 | Boot-Pump |
| 62 | 56265791 | 1 | Clamp-Hose Keyed Worm Drive |
| 63 | 56055989 | 1 | Cuff Hose |
| 64 | 56003221 | 2 | Scr-Hex Loc.SS 1/4-20 x .75 TSB-FC-2016-269 |
| 65 | 56209261 | 1 | Washer. Sealing 9/16 |

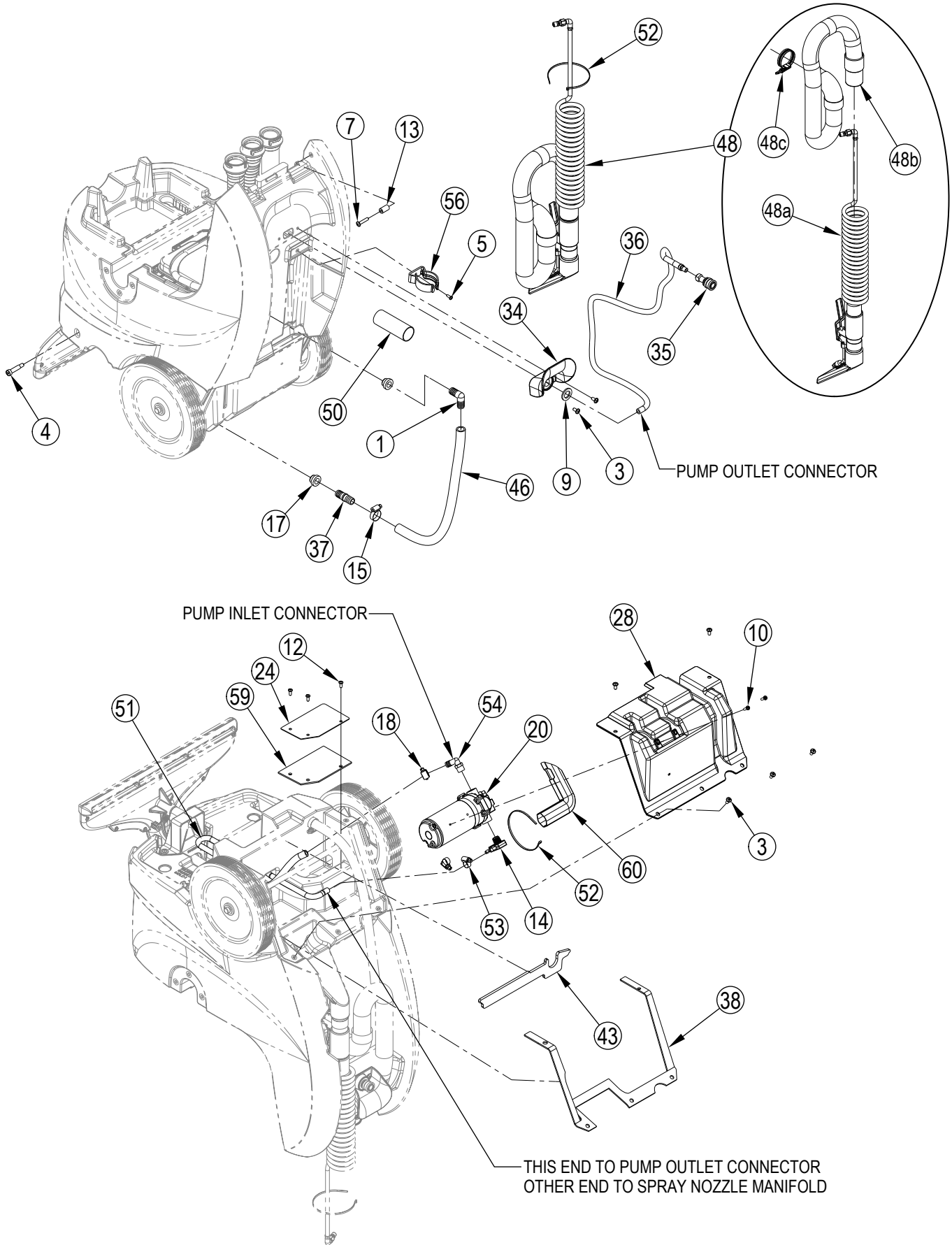
NOTE 1: To replace, order Clamp Kit 9096380000.

SOLUTION SYSTEM 18XLP-1

| Item | Ref. No. | Qty | Description | Item | Ref. No. | Qty | Description |
|------|----------|-----|--|------|------------|-----|--|
| 1 | 832803 | 1 | Elbow-5/8 Hose | 31 | 56265665 | 1 | Gasket-Vac Motor Cover |
| 2 | 56001954 | 5 | Wsh. Flt Sae #10 | 32 | | | Intentionally Omitted |
| 3 | 56003897 | 7 | Scr-Pan Phil Loc Ss 1/4-20 X .50 | 33 | 56265697 | 2 | Wheel-10.00x1.75x.50 |
| 4 | 56002624 | 1 | Scr-Soc Shd .38 X 1.25 X 5/16-18 | 34 | 56265704 | 1 | Hook-Hose Storage |
| 5 | 56003913 | 1 | Scr-Pan Phil Loc Ss 10-24 X .38 | 35 | 56265705 | 1 | Socket-Quick Disconnect-1/8 Npt |
| 6 | 56002914 | 2 | Wsh. Flt Std Ss 1/4 | 36 | 56265708 | 1 | Hose Assembly-Solution |
| 7 | 56002958 | 2 | Scr-Pan Phil Ss 1/4-20 X 1.25 | 37 | 56265712 | 1 | Coupler-Barb-5/8 |
| 8 | 56003091 | 6 | Scr. Pan Phil Plastite 10-14 X .75 | 38 | 56265722 | 1 | Gasket-Back Panel |
| 9 | 56009022 | 1 | Wsh. Flt .754 X 1.250 X .120 | 39 | 56265726 | 1 | Solution Filter Assembly-18 |
| 10 | 56009043 | 2 | Scr Pan Phil Thd Form10-24x.75 | 40 | 56265732 | 1 | Gasket-Vac Exhaust Chamber |
| 11 | 56009097 | 2 | Nut, Push Cap 1/2 | 41 | 56265733 | 1 | Gasket-Vac Exhaust Port |
| 12 | 56009191 | 4 | Scr. Pan Phil Plastite 10-14 X .50 | 42 | 56265734 | 1 | Gasket-Vac Chamber-Side |
| 13 | 56052237 | 2 | Spacer, Phenolic | 43 | 56265735 | 1 | Gasket-Backpanel-Bottom |
| 14 | 56109503 | 1 | Double Barb Assy | 44 | 56265739 | 1 | Gasket-Sound-Vac Hose |
| 15 | 56112771 | 1 | Clamp- Hose Sae #10 | 45 | | | Intentionally Omitted |
| 16 | 56116110 | 1 | Seal-Inlet | 46 | 56265745 | 1 | Hose-Pvc-5/8x20.60 |
| 17 | 56116721 | 2 | Grommet-.59x.78x.62 | 47 | 56265766 | 1 | Hose-Spiral-.500 X 52.00 |
| 18 | 56219932 | 2 | Clamp- Hose Sae #6 | 48 | 56265767 | 1 | Hand Tool/Hoses Assembly |
| 19 | 56265552 | 1 | Motor-Vacuum-120v M2 | 48a | | 1 | Hand Tool/Hose Assembly |
| | 56265683 | 1 | Carbon Brush Kit-Set Of 2 (for 56265552) | 48b | 56265700 | 1 | Hose Assembly-Hand Tool |
| 20 | 56265554 | 1 | Pump-115vac-120psi M1 | 48c | 56265791 | 1 | Clamp-Hose Keyed Worm Drive |
| 21 | 56265582 | 1 | Cover-Vac Motor | 49 | 56315141 | 3 | Mount, Vibration |
| 22 | 56265583 | 1 | Plate-Vac Motor | 50 | 56381838 | 1 | Tube Alum 1 1/2 Od X 4 |
| 23 | 56265586 | 1 | Vac Hose Assembly | 51 | 56456560 | 1 | Hose .25x15.0 E00160 |
| 24 | 56265617 | 1 | Cover-Vac Inlet | 52 | 56478523 | 3 | Tie, Cable |
| 25 | 56265622 | 1 | Solution Tank-18 | 53 | 56756364 | 2 | Clamp- Hose Sae #4 |
| 26 | 56265625 | 1 | Hose Assembly | 54 | 56109566 | 1 | Barb, 90 Elbow 1/2 X 3/8npt |
| 27 | 56265626 | 1 | Vac Hose Assembly-W/Elbow | 55 | 9096595000 | 1 | Flat Tie Holder |
| 28 | 56265631 | 1 | Cover-Back | 56 | | 1 | Clamp-Hose NOTE 1 |
| 29 | 56265646 | 1 | Bracket-Shoe | 57 | 910-1863 | 1 | Axel Rod Zinc Plated 1/2 Ro |
| 30 | 56265662 | 1 | Shoe/Latch Assembly-18 | 58 | 56329145 | 1 | Clamp- Hose Sae #24 |
| 30a | 56009247 | 2 | Scr. Pan Phil Plastite 10-14x .38 | 59 | 56265789 | 1 | Gasket-Vac-Inlet Cover |
| 30b | 56265538 | 1 | Shoe Assembly-16 | 60 | 56265787 | 1 | Boot-Pump |
| 30c | 56265796 | 1 | Latch-Shoe | 61 | 56003221 | 2 | Scr-Hex Loc SS 1/4-20 x .75 TSB-FC-2016-269 |
| 30d | 1326a | 2 | Washer Flat S.S 10 X11/1 | 62 | 56209261 | 1 | Washer, Sealing 9/16 |
| 30e | 54196a | 1 | Spring Extension | | | | |

NOTE 1: To replace, order Clamp Kit 9096380000.

SOLUTION SYSTEM 18XLP-2



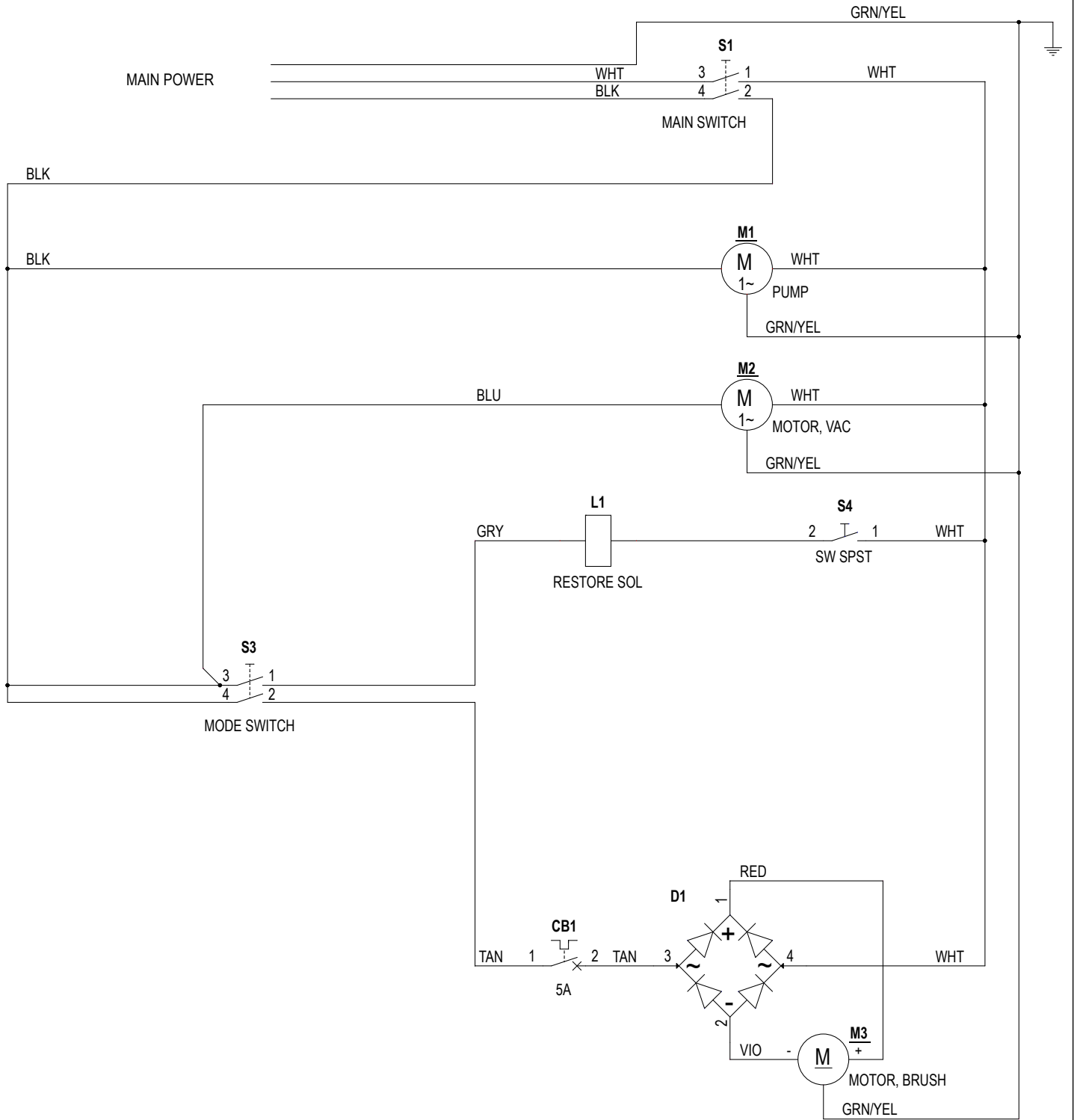
SOLUTION SYSTEM 18XLP-2

| Item | Ref. No. | Qty | Description | Item | Ref. No. | Qty | Description |
|------|----------|-----|--|------|------------|-----|--|
| 1 | 832803 | 1 | Elbow-5/8 Hose | 31 | 56265665 | 1 | Gasket-Vac Motor Cover |
| 2 | 56001954 | 5 | Wsh. Flt Sae #10 | 32 | | | Intentionally Omitted |
| 3 | 56003897 | 7 | Scr-Pan Phil Loc Ss 1/4-20 X .50 | 33 | 56265697 | 2 | Wheel-10.00x1.75x.50 |
| 4 | 56002624 | 1 | Scr-Soc Shd .38 X 1.25 X 5/16-18 | 34 | 56265704 | 1 | Hook-Hose Storage |
| 5 | 56003913 | 1 | Scr-Pan Phil Loc Ss 10-24 X .38 | 35 | 56265705 | 1 | Socket-Quick Disconnect-1/8 Npt |
| 6 | 56002914 | 2 | Wsh. Flt Std Ss 1/4 | 36 | 56265708 | 1 | Hose Assembly-Solution |
| 7 | 56002958 | 2 | Scr-Pan Phil Ss 1/4-20 X 1.25 | 37 | 56265712 | 1 | Coupler-Barb-5/8 |
| 8 | 56003091 | 6 | Scr. Pan Phil Plastite 10-14 X .75 | 38 | 56265722 | 1 | Gasket-Back Panel |
| 9 | 56009022 | 1 | Wsh. Flt .754 X 1.250 X .120 | 39 | 56265726 | 1 | Solution Filter Assembly-18 |
| 10 | 56009043 | 2 | Scr Pan Phil Thd Form10-24x.75 | 40 | 56265732 | 1 | Gasket-Vac Exhaust Chamber |
| 11 | 56009097 | 2 | Nut, Push Cap 1/2 | 41 | 56265733 | 1 | Gasket-Vac Exhaust Port |
| 12 | 56009191 | 4 | Scr. Pan Phil Plastite 10-14 X .50 | 42 | 56265734 | 1 | Gasket-Vac Chamber-Side |
| 13 | 56052237 | 2 | Spacer, Phenolic | 43 | 56265735 | 1 | Gasket-Backpanel-Bottom |
| 14 | 56109503 | 1 | Double Barb Assy | 44 | 56265739 | 1 | Gasket-Sound-Vac Hose |
| 15 | 56112771 | 1 | Clamp- Hose Sae #10 | 45 | | | Intentionally Omitted |
| 16 | 56116110 | 1 | Seal-Inlet | 46 | 56265745 | 1 | Hose-Pvc-5/8x20.60 |
| 17 | 56116721 | 2 | Grommet-.59x.78x.62 | 47 | 56265766 | 1 | Hose-Spiral-.500 X 52.00 |
| 18 | 56219932 | 2 | Clamp- Hose Sae #6 | 48 | 56265767 | 1 | Hand Tool/Hoses Assembly |
| 19 | 56265552 | 1 | Motor-Vacuum-120v M2 | 48a | | 1 | Hand Tool/Hose Assembly |
| | 56265683 | 1 | Carbon Brush Kit-Set Of 2 (for 56265552) | 48b | 56265700 | 1 | Hose Assembly-Hand Tool |
| 20 | 56265554 | 1 | Pump-115vac-120psi M1 | 48c | 56265791 | 1 | Clamp-Hose Keyed Worm Drive |
| 21 | 56265582 | 1 | Cover-Vac Motor | 49 | 56315141 | 3 | Mount, Vibration |
| 22 | 56265583 | 1 | Plate-Vac Motor | 50 | 56381838 | 1 | Tube Alum 1 1/2 Od X 4 |
| 23 | 56265586 | 1 | Vac Hose Assembly | 51 | 56456560 | 1 | Hose .25x15.0 E00160 |
| 24 | 56265617 | 1 | Cover-Vac Inlet | 52 | 56478523 | 3 | Tie, Cable |
| 25 | 56265622 | 1 | Solution Tank-18 | 53 | 56756364 | 2 | Clamp- Hose Sae #4 |
| 26 | 56265625 | 1 | Hose Assembly | 54 | 56109566 | 1 | Barb, 90 Elbow 1/2 X 3/8npt |
| 27 | 56265626 | 1 | Vac Hose Assembly-W/Elbow | 55 | 9096595000 | 1 | Flat Tie Holder |
| 28 | 56265631 | 1 | Cover-Back | 56 | | 1 | Clamp-Hose NOTE 1 |
| 29 | 56265646 | 1 | Bracket-Shoe | 57 | 910-1863 | 1 | Axel Rod Zinc Plated 1/2 Ro |
| 30 | 56265662 | 1 | Shoe/Latch Assembly-18 | 58 | 56329145 | 1 | Clamp- Hose Sae #24 |
| 30a | 56009247 | 2 | Scr. Pan Phil Plastite 10-14x .38 | 59 | 56265789 | 1 | Gasket-Vac-Inlet Cover |
| 30b | 56265538 | 1 | Shoe Assembly-16 | 60 | 56265787 | 1 | Boot-Pump |
| 30c | 56265796 | 1 | Latch-Shoe | 61 | 56003221 | 2 | Scr-Hex Loc SS 1/4-20 x .75 TSB-FC-2016-269 |
| 30d | 1326a | 2 | Washer Flat S.S 10 X11/1 | 62 | 56209261 | 1 | Washer, Sealing 9/16 |
| 30e | 54196a | 1 | Spring Extension | | | | |

NOTE 1: To replace, order Clamp Kit 9096380000.

LADDER DIAGRAM 16ST

ST MACHINE VARIANT



LADDER DIAGRAM 16ST

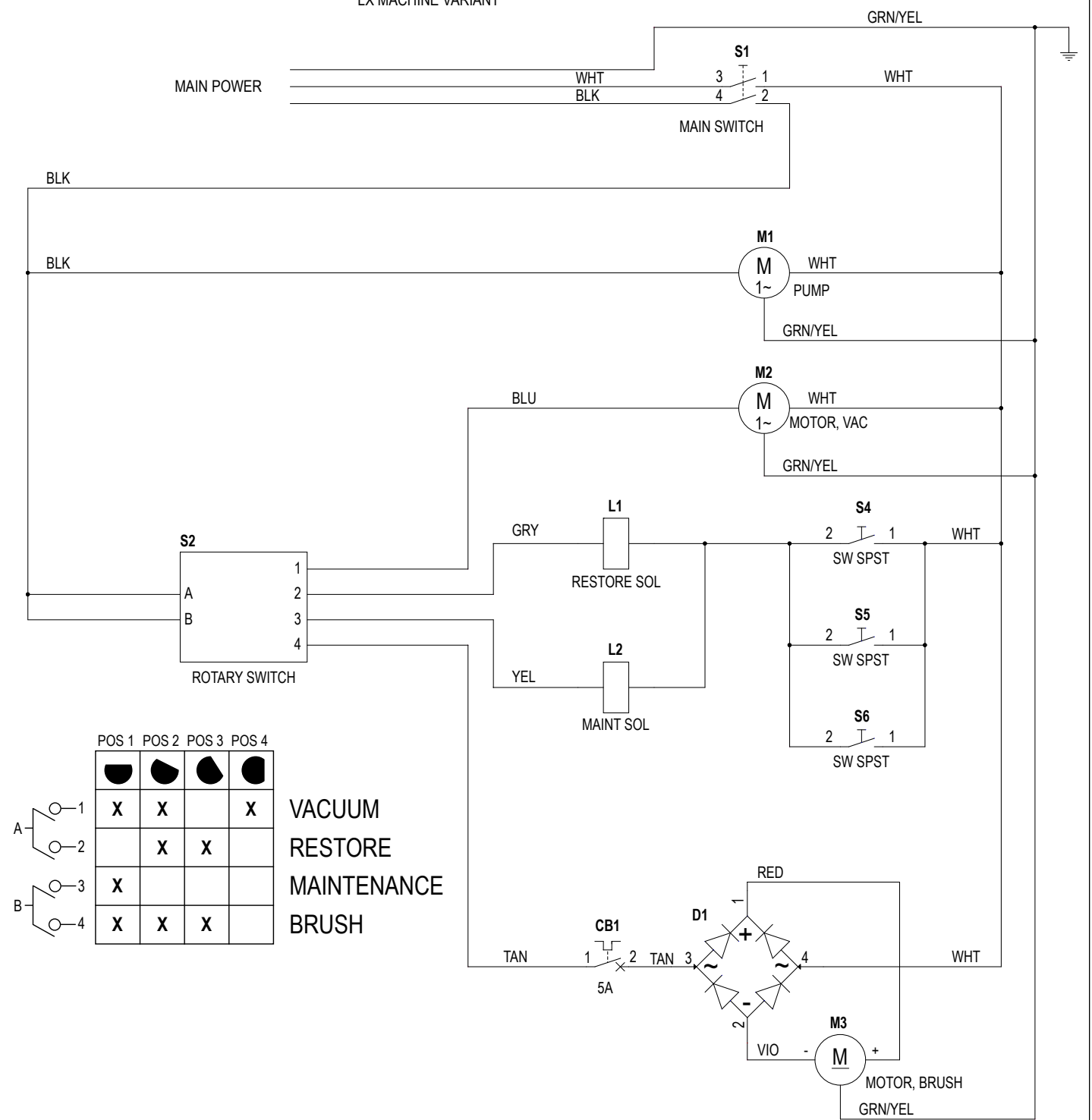
| Item | Ref. No. | Qty | Description |
|-------------|-----------------|------------|--|
| CB1 | 56265550 | 1 | Circuit Breaker, 5 Amp |
| D1 | 56265103 | 1 | Rectifier, 35 Amp |
| L1 | 56265746 | 1 | Valve, Solenoid 115V |
| M1 | 56265554 | 1 | Pump-115vac-120psi |
| M2 | 56265552 | 1 | Motor-Vacuum-120v |
| | 56265683 | | Carbon Brush Kit-(Set Of 2) for 56265552 |
| M3 | 56265075 | 1 | Motor, 115 Vdc, 1/3 Hp |
| S1 | 56265549 | 1 | Switch-Rocker-Dpst |
| S3 | 56265549 | 1 | Switch-Rocker-Dpst |
| S4 | 56265098 | 1 | Switch, Spdt Snapaction |

Color Codes

| | |
|------|--------|
| BLK | Black |
| BLU | Blue |
| BRN | Brown |
| GRA | Gray |
| GRN | Green |
| ORN | Orange |
| PINK | Pink |
| RED | Red |
| TAN | Tan |
| VIO | Violet |
| WHT | White |
| YEL | Yellow |

LADDER DIAGRAM 16XP-18XLP

LX MACHINE VARIANT



POS 1 POS 2 POS 3 POS 4

| | | | | |
|---|---|---|---|---|
| | | | | |
| A | X | X | | X |
| | | X | X | |
| B | X | | | |
| | X | X | X | |

VACUUM
RESTORE
MAINTENANCE
BRUSH

LADDER DIAGRAM 16XP-18XLP

| Item | Ref. No. | Qty | Description |
|-------------|-----------------|------------|--|
| CB1 | 56265550 | 1 | Circuit Breaker, 5 Amp |
| D1 | 56265103 | 1 | Rectifier, 35 Amp |
| L1 | 56265746 | 1 | Valve, Solenoid 115V |
| L2 | 56265570 | 1 | Valve/Nozzle Assy-120v-Maint |
| M1 | 56265554 | 1 | Pump-115vac-120psi |
| M2 | 56265552 | 1 | Motor-Vacuum-120v |
| | 56265683 | | Carbon Brush Kit-(Set Of 2) for 56265552 |
| M3 | 56265075 | 1 | Motor, 115 Vdc, 1/3 Hp |
| S1 | 56265549 | 1 | Switch-Rocker-Dpst |
| S2 | 56265551 | 1 | Rotary Switch |
| S4 | 56265098 | 1 | Switch, Spdt Snapaction |
| S5 | 56265098 | 1 | Switch, Spdt Snapaction |
| S6 | 56265098 | 1 | Switch, Spdt Snapaction |

Color Codes

| | |
|------|--------|
| BLK | Black |
| BLU | Blue |
| BRN | Brown |
| GRA | Gray |
| GRN | Green |
| ORN | Orange |
| PINK | Pink |
| RED | Red |
| TAN | Tan |
| VIO | Violet |
| WHT | White |
| YEL | Yellow |

OPTIONS & ACCESSORIES

| Item | Ref. No. | Qty | Description |
|----------|----------|-----|---|
| | | | Options |
| | 56265044 | 1 | Brush Assembly 16 TSB-FC-2017-032 |
| | 56265175 | 1 | Brush Assembly Blue 16 Hard |
| | 56265176 | 1 | Brush Assembly 240 Grit 16 |
| | 56265099 | 1 | Brush Assembly 18 TSB-FC-2017-032 |
| | 56265177 | 1 | Brush Assembly Blue 18 Hard |
| | 56265178 | 1 | Brush Assembly 240 Grit 18 |
| | | | Accessories |
| | 56314402 | 1 | Wand Assembly w/Soft and Hard Floor Tools |
| | 56265173 | 1 | Wand Assembly w/Soft Floor Tool |
| | 56220070 | 1 | Upholstery Hand Tool |
| | 56265305 | 1 | Drag Wand |
| | 56265309 | 1 | Plug Adaptor Kit |
| # | | | DELETED |
| | 56265753 | 1 | Hose Assy – 96 In. |
| | 56265754 | 1 | Hose Assy – 184 In. |
| | 56265810 | 1 | Hand Tool Add-On Kit |
| | 56265814 | 1 | Hand Tool No-Hose Add-On Kit |
| | 56265675 | 1 | Hard Floor Tool Assembly |
| | 56044697 | 1 | Literature Pack |
| | | | Brushes (See Brush Selector Guide) |

= Revised or new since last update

BRUSH SELECTOR GUIDE

We provide brushes that will give you the best possible performance between machine and floor. Following are descriptions of the materials and their applications.

- Soft Nylon Brush:** Carpet cleaning brush also used on soft-finish floors where a more aggressive brush would leave scratch marks, or in applications requiring light cleaning.
- Stiff Nylon Brush (Blue):** Hard floor cleaning effective in cleaning most common surfaces.
- 240 Grit Brush:** Medium aggressive grit brush. Good all-around brush for medium to heavy buildup removal on hard floors.

16" BRUSHES

56265044 - Nylon
56265175 - Blue
56265176 - 240 Grit

18" BRUSHES

56265099 - Nylon
56265177 - Blue
56265178 - 240 Grit

CYLINDRICAL BRUSH APPLICATION GUIDE (SUGGESTION ONLY)

| Application | Nylon | Blue | 240 Grit |
|--------------------------|-------|------|----------|
| General Cleaning: | | | |
| Carpet Cleaning | X | | |
| Concrete | | X | X |
| Terrazzo | X | X | X |
| Ceramic/Quarry tile | X | X | X |
| Marble | X | X | X |
| Vinyl tile | X | X | X |
| Raised-rubber tile | X | X | X |

9435 Winnetka Ave North
Minneapolis, MN 55445
www.advance-us.com
Phone: 800-989-2235
Fax: 800-989-6566
©2019 Nilfisk, Inc.

