

Table 700280 072016 280

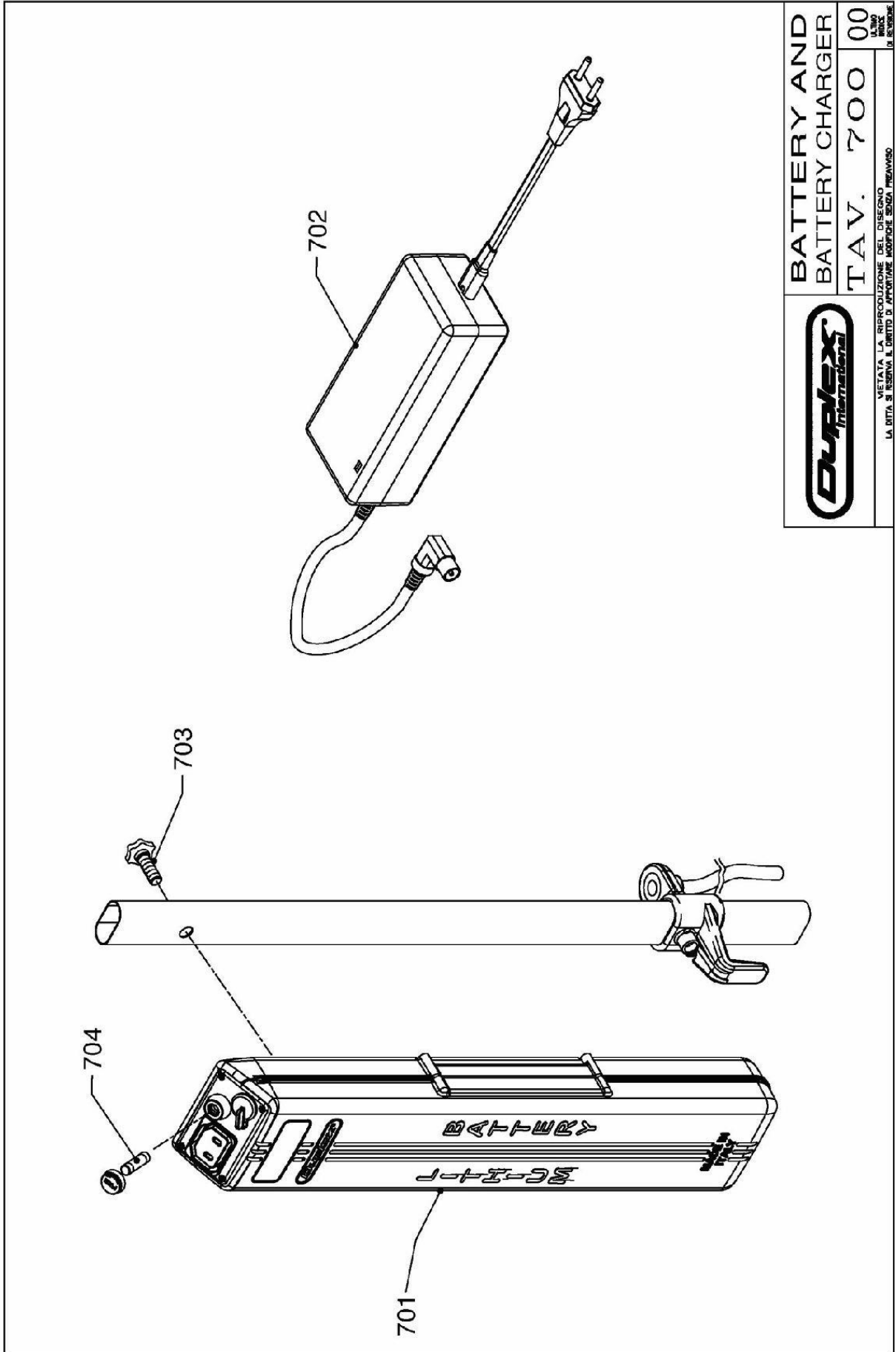


Table 700280 072016 280

Table 700280 072016 280

Pos.	Part Number	Description	
701	088000333	ASSEMBLED BATTERY 36V	
702	380248003	FAST BATTERY CHARGER 120V USA PLUG	
703	800000395	FIXING KNOB	
704	800000356	FUSE 5X20 16A	

Table 700280 072016 280

DP 380 Upgrade Wiring Change



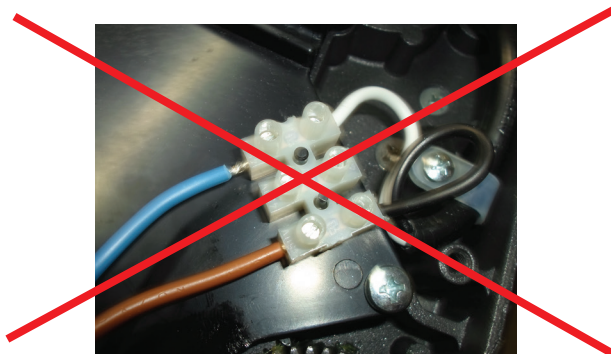
Some machines may have been wired incorrectly: brushes are spinning outward instead of inward, toward the conveyor belts.

In order to change the wiring, you need:

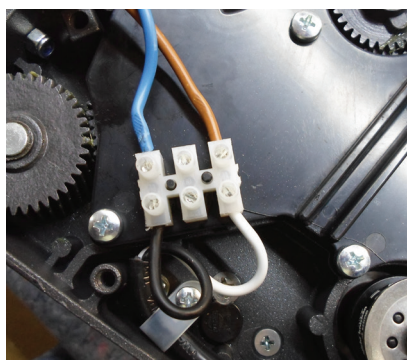
1. Small flat screwdriver & one Phillips screwdriver



2. Unscrew the 6 Phillips screws on top of the cover, remove the cover and you will see the terminal bloc with incorrect wiring



3. Loose terminal bloc screws and switch the wires to the correct position as shown: The blue goes with black and the brown goes with white



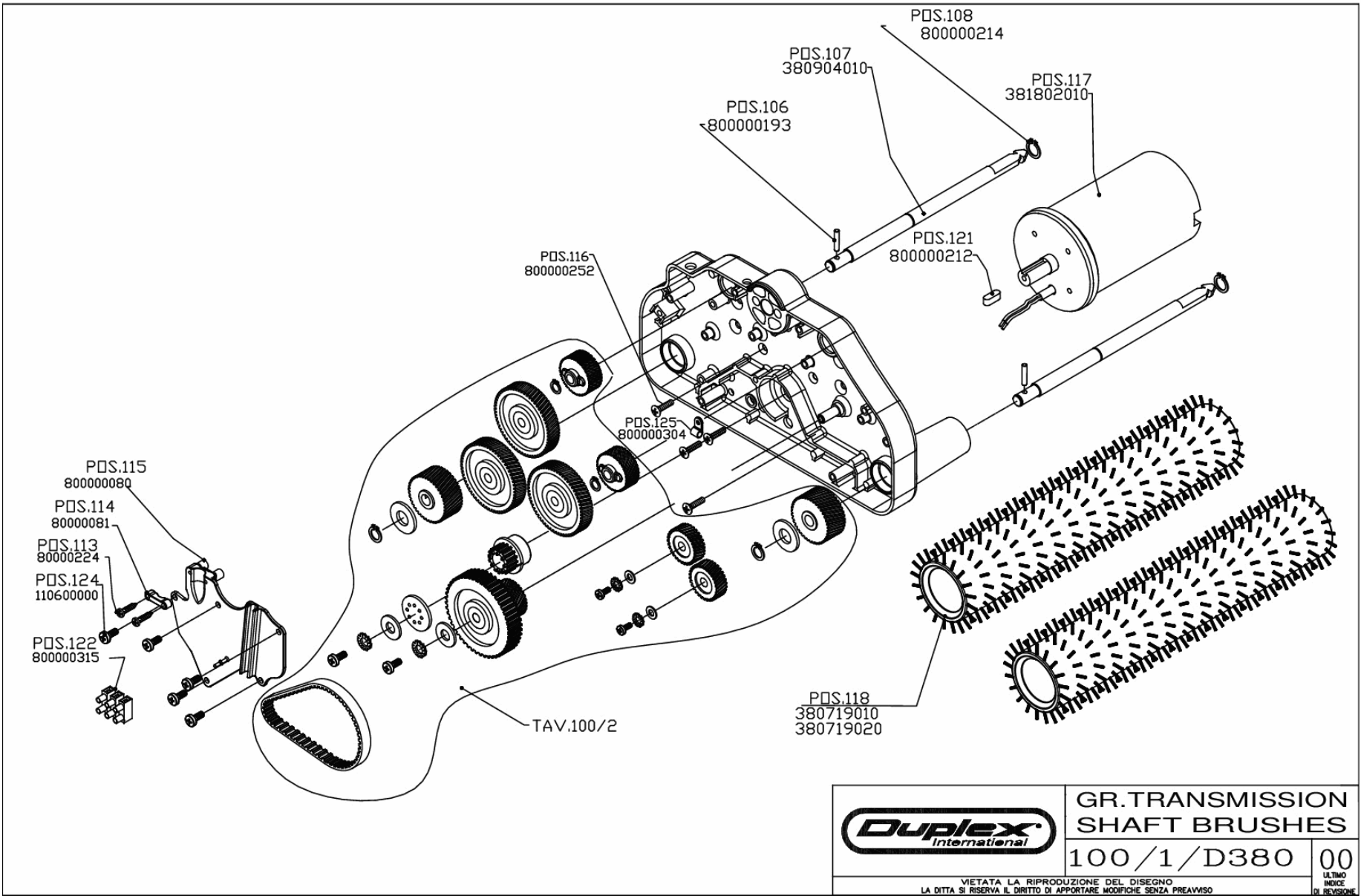


Table 3801001 012018 00380 100 1

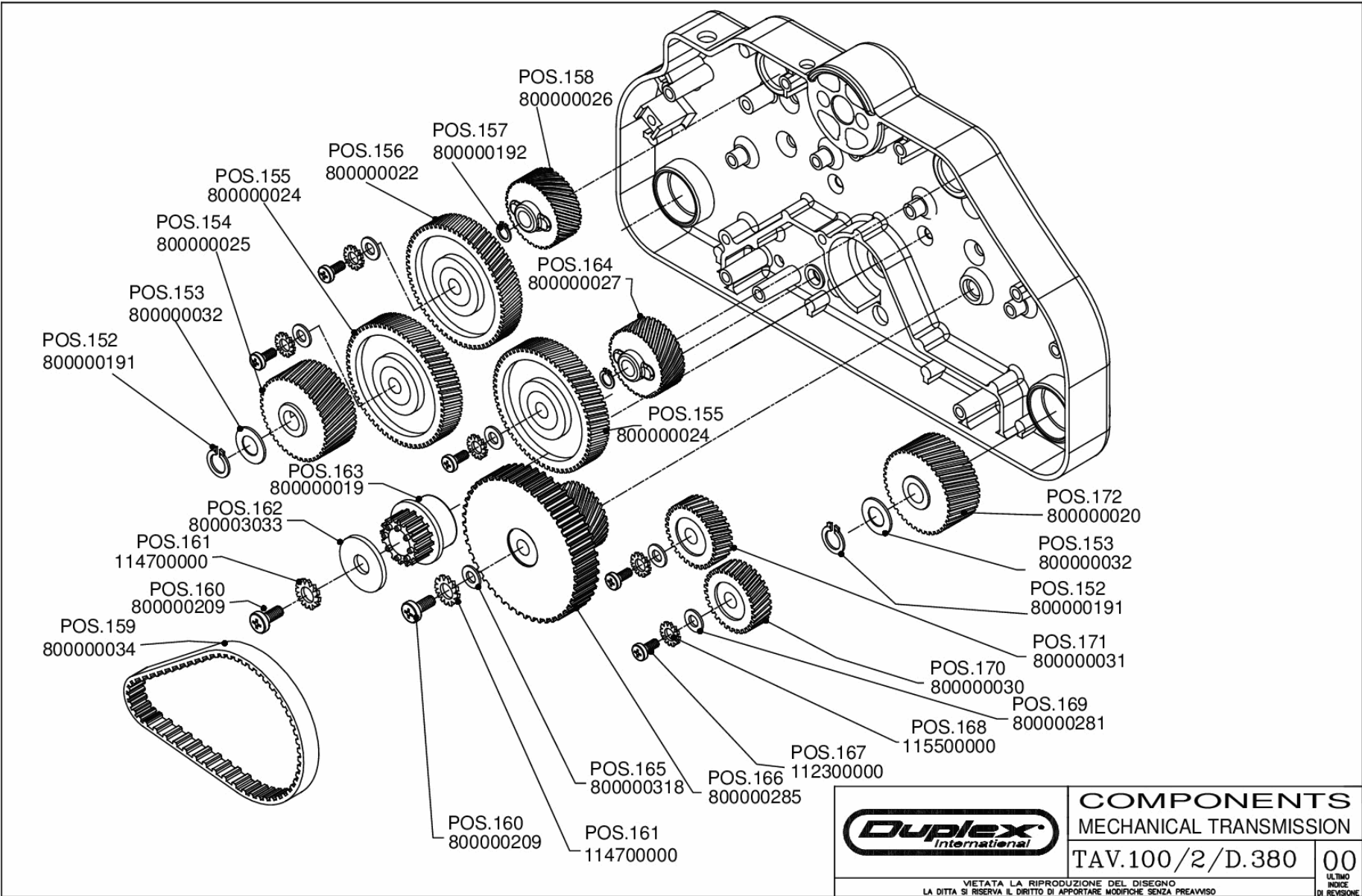
Model TURBO 380 122017

floorwashers - carpetwashers
lavapavimenti - lavamoquettes

Table 3801001 012018 00380 100 1

Model TURBO 380 122017

Pos.	Article Code	Description
106	800000193	CYLINDRIC PIN 4X20
107	380904010	BRUSH SHAFT 380
108	800000214	SEEGER D 12 (BRUSHES SHAFT)
113	800000224	SCREW TCB 3,9X16
114	800000081	CABLE STAY
115	800000080	INSIDE SUMP 280/380
116	800000252	SCREW TSP CROSS M5X16
117	381802010	MOTOR 200W 36V
118	380719010	GREY BRUSH
118	380719020	BLACK BRUSH
121	800000212	MOTOR KEY 5X5X12 UNI6607 A
122	800000315	3 POLES TERMINAL BLOCK
124	110600000	SCREW T.T. 5X12
125	800000304	FASTENER RING FOR CABLE



	COMPONENTS MECHANICAL TRANSMISSION	
	TAV.100/2/D.380	00 <small>ULTIMO INDICE DI REVISIONE</small>
<small>VIETATA LA RIPRODUZIONE DEL DISEGNO LA DITTA SI RISERVA IL DIRITTO DI APPORTARE MODIFICHE SENZA PREAVVISO</small>		

Table 3801002 012018 00380 100 2

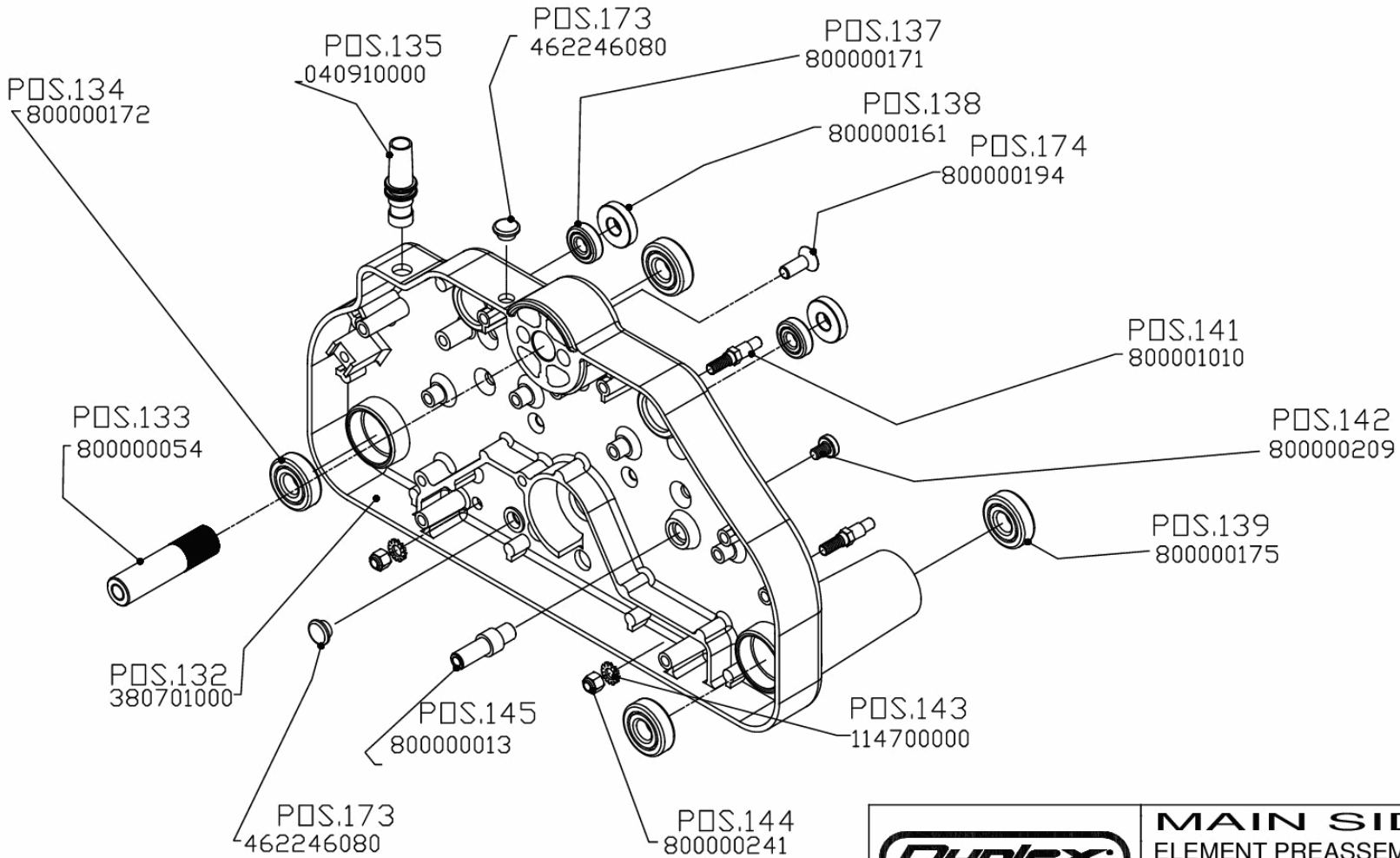
Model TURBO 380 122017

floorwashers - carpetwashers
lavapavimenti - lavamoquette

Table 3801002 012018 00380 100 2

Model TURBO 380 122017

Pos.	Article Code	Description
152	800000191	SEEGER D.10 (SHAFT)
153	800000032	WASHER 10X16X0,5
154	800000025	GEAR RIGHT (BRUSH)
155	800000024	GEAR Z60 G. LEFT
156	800000022	GEAR Z60 G. RIGHT
157	800000192	SEEGER D 8
158	800000026	GEAR LEFT (CYLINDER)
159	800000034	BELT HTD 305 5M 9 O.HP
160	800000209	SCREW TB CROSS M5X12
161	114700000	WASHER THTD D5
162	800003033	WASHER 380
163	800000019	PULLEY HTD Z16 5M
164	800000027	GEAR RIGHT (CYLINDER) Z32
165	800000318	WASHER 5X10X1
166	800000285	PULLEY Z48 WITH GEAR Z 30
167	112300000	TC SCREW 4X10 ZINC
168	115500000	WASHER THTD D.4
169	800000281	WASHER D 4X12
170	800000030	GEAR RIGHT Z30
171	800000031	GEAR LEFT Z30
172	800000020	GEAR LEFT (BRUSH)



MAIN SIDE
ELEMENT PREASSEMBLED

100 / 3 / D380

00
ULTIMO
INDICE
DI REVISIONE

VIETATA LA RIPRODUZIONE DEL DISEGNO
LA DITTA SI RISERVA IL DIRITTO DI APPORTARE MODIFICHE SENZA PREAVVISO

Table 3801003 012018 00380 100 3

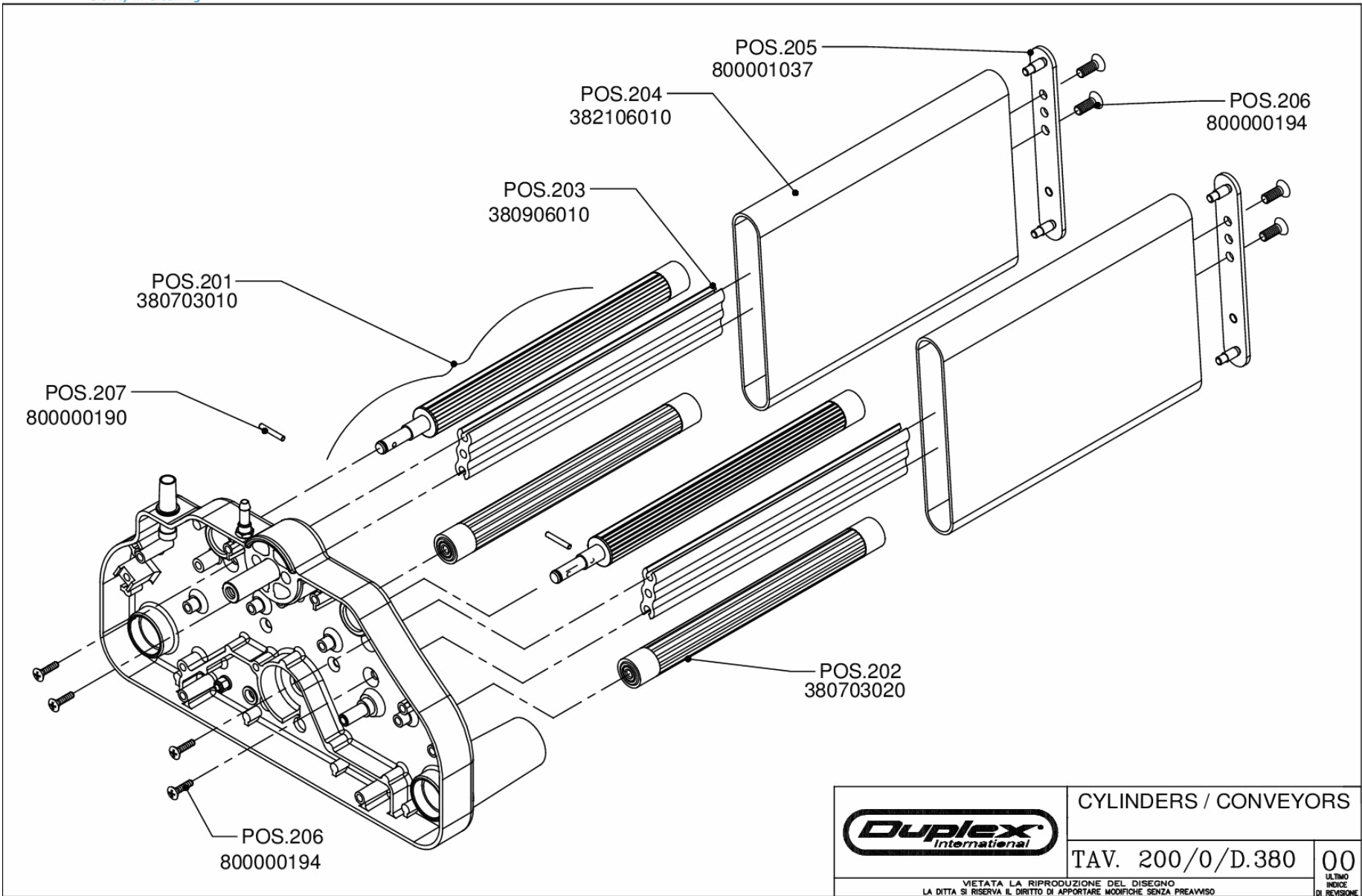
Model TURBO 380 122017

**floorwashers - carpetwashers
lavapavimenti - lavamoquettes**

Table 3801003 012018 00380 100 3

Model TURBO 380 122017

Pos.	Article Code	Description
132	380701000	MAIN SIDE ELEMENT ASSEMBL 380
133	800000054	PIN HANDLE SUPPORT
134	800000172	BEARING 6000 ZZ 26X10X8
135	040910000	FAIRLEAD BLACK 11078.1.2 PVC
137	800000171	BEARING 608 ZZ 22X8X7
138	800000161	GASKET 10X22X7 MOTOR CYLINDER
139	800000175	BEARING 6001 2RS FOR BRUSH SHAFT
141	800001010	CYLINDER SHAFT
142	800000209	SCREW TB CROSS M5X12
143	114700000	WASHER THTD D5
144	800000241	NUT M5
145	800000013	SHAFT FOR PULLEY
173	462246080	POLYCAP BLK FOR HOLE
174	800000194	SCREW TS PH M6X16



CYLINDERS / CONVEYORS

TAV. 200/0/D.380

00

VIETATA LA RIPRODUZIONE DEL DISEGNO
LA DITTA SI RISERVA IL DIRITTO DI APPORTARE MODIFICHE SENZA PREAVVISO

ULTIMO
INDICE
DI REVISIONE

Table 3802000 012018 00380 200 0

Model TURBO 380 122017

floorwashers - carpetwashers
lavapavimenti - lavamoquettes

Table 3802000 012018 00380 200 0

Model TURBO 380 122017

Pos.	Article Code	Description
201	380703010	MOTOR CYLINDER COMPLETE 380
202	380703020	IDLE CYLINDER COMPLETE 380
203	380906010	SPACER 380 L =321,5
204	382106010	CONVEYOR BELT 380 NBR 60ShA
205	800001037	CYLINDER SUPPORT COMPL D8
206	800000194	SCREW TS PH M6X16
207	800000190	PIN CYLINDRIC D 3X20

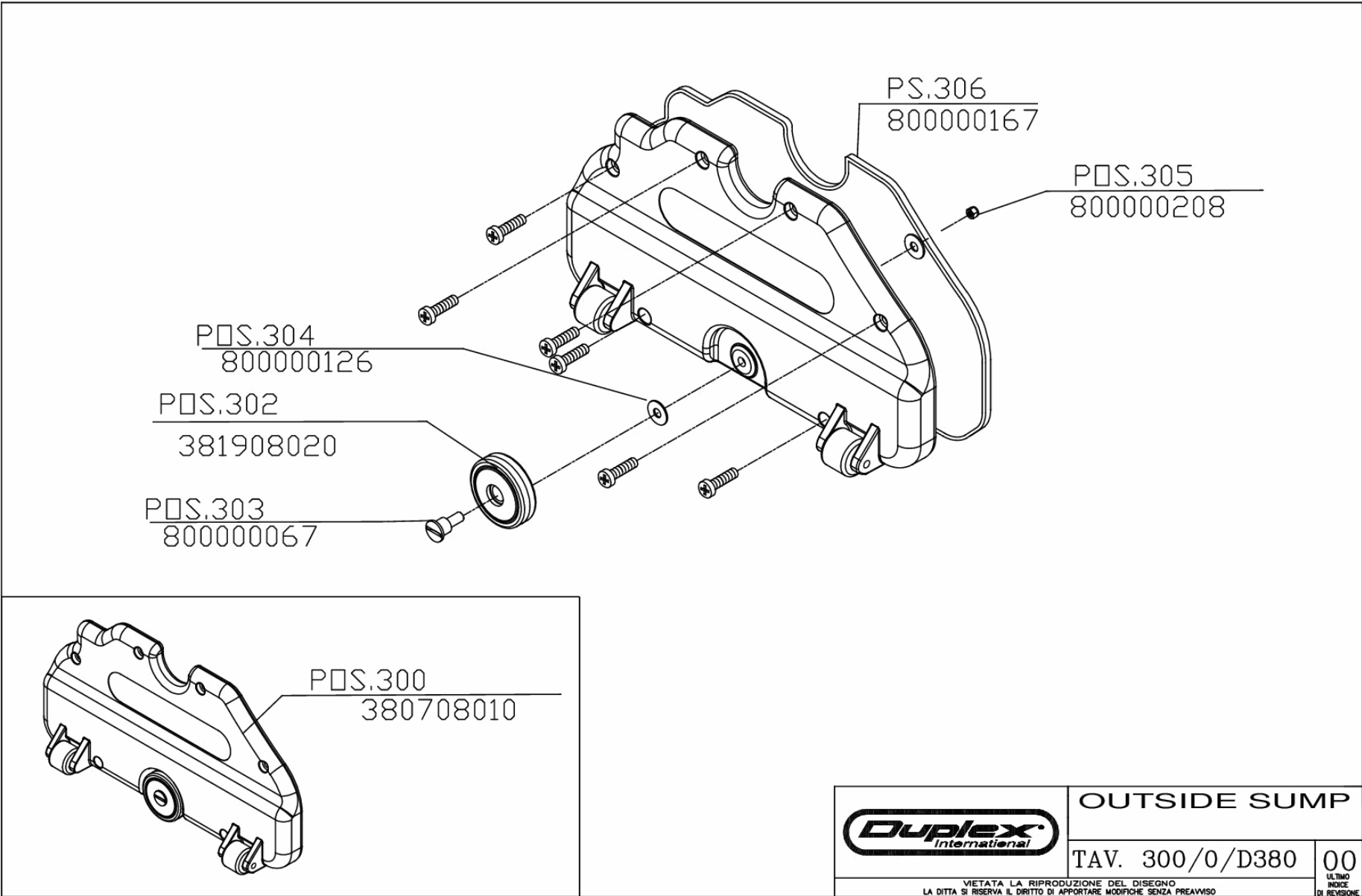


Table 3803000 012018 00380 300 0

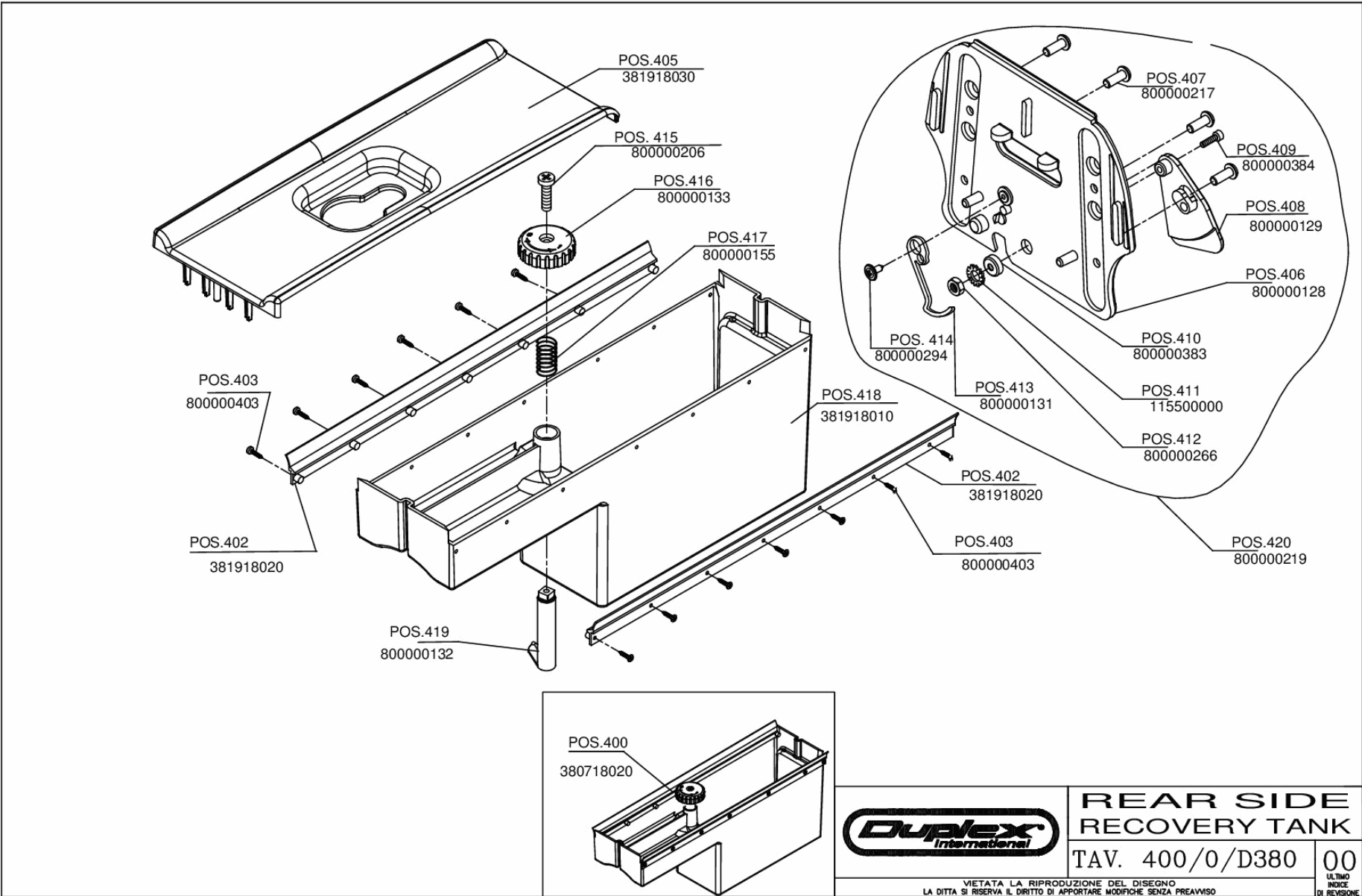
Model TURBO 380 122017

floorwashers - carpetwashers
 lavapavimenti - lavamoquette

Table 3803000 012018 00380 300 0

Model TURBO 380 122017

Pos.	Article Code	Description
300	380708010	OUTSIDE SUMP 380 COMPLETE
302	381908020	WHEEL CENTRAL OUTS. SUMP 380
303	800000067	SHAFT FOR CENTRAL WHEEL
304	800000126	WASHER 6X16X1 FOR CENTR WHEEL 6X15X1 ZN
305	800000208	NUT M6 FOR WHEEL
306	800000167	SEAL PERIMETER (OUTSIDE SUMP)



	REAR SIDE RECOVERY TANK	
	TAV. 400/0/D380	00
VIETATA LA RIPRODUZIONE DEL DISEGNO LA DITTA SI RISERVA IL DIRITTO DI APPORTARE MODIFICHE SENZA PREAVVISO		
		ULTIMO INDICE DI REVISIONE

Table 3804000 012018 00380 400 0

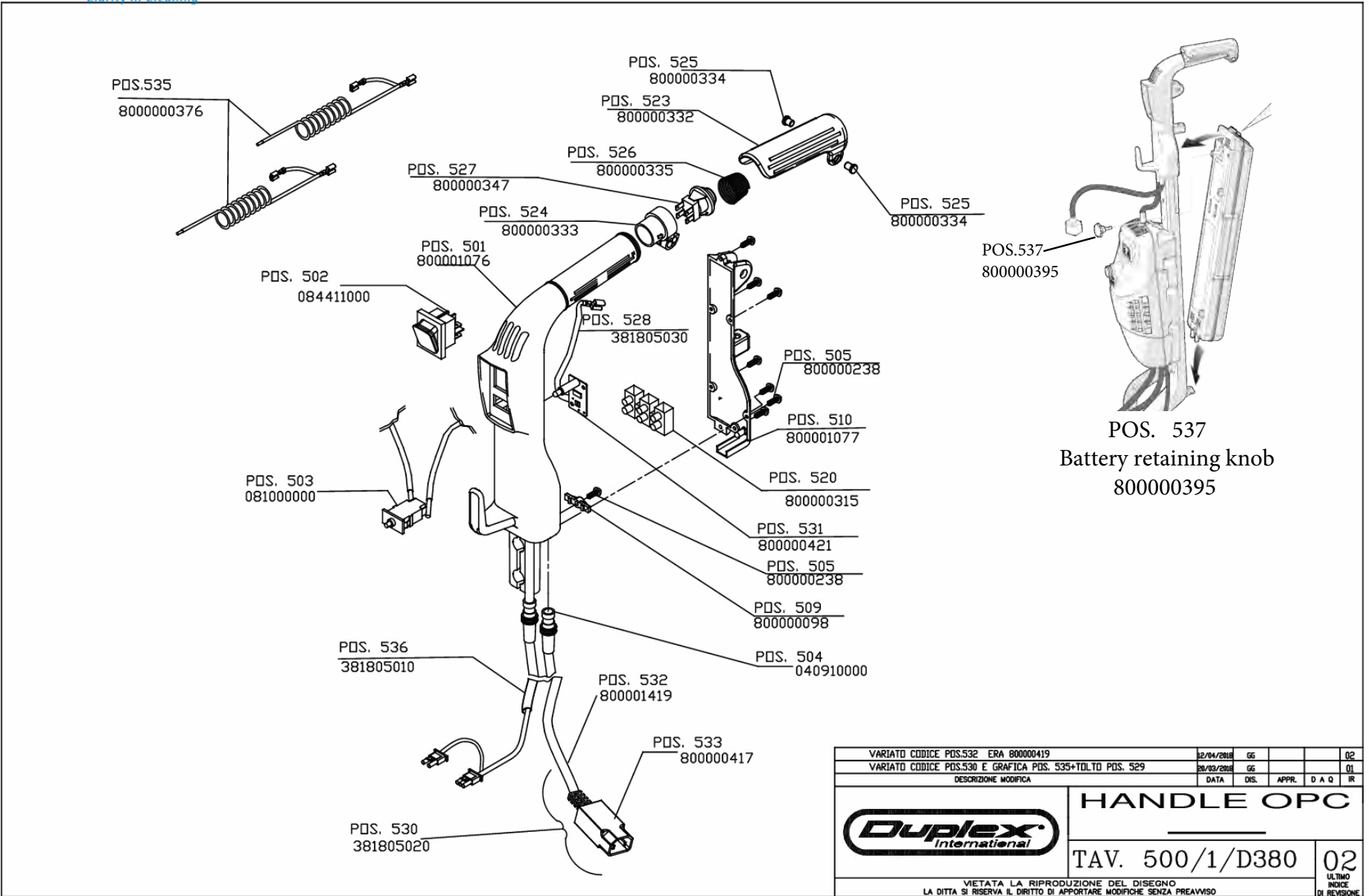
Model TURBO 380 122017

Floorwashers - carpetwashers
lavapavimenti - lavamoquettes

Table 3804000 012018 00380 400 0

Model TURBO 380 122017

Pos.	Article Code	Description
400	380718020	RECOVERY TANK COMPLETE 380
402	381918020	TRIMMER 380
403	800000403	SCREW TSP 2,9X6,5 A2 DIN7982F
405	381918030	REC.TANK COVER 380
406	800000128	REAR SIDE 280/380
407	800000217	SCREW TB M6X16 ZN
408	800000129	LIFTING JACK 280/380
409	800000384	SCREW TC PH M4X12 ZN BLK
410	800000383	WASHER 4,3X16X1,5 DIN9021 ZN
411	115500000	WASHER THTD D.4
412	800000266	NUT LOW M4
413	800000131	SPRING FOR LIFTING JACK
414	800000294	SCREW TBL RAN PZ M4X7
415	800000206	SCREW TC 4,9X13 A2 DIN7981 C
416	800000133	BLACK KNOB / REC.TANK
417	800000155	SPRING FOR REC. TANK
418	381918010	RECOVERY TANK 380
419	800000132	LIFTING ROD BLACK / REC.TANK
420	800000219	REAR SIDE ASSEMBLED 280/380
420	800000219	REAR SIDE ASSEMBLED 280/380



VARIATO CODICE PDS.532 ERA 800000419	12/04/2018	GG			02
VARIATO CODICE PDS.530 E GRAFICA PDS. 535+TOLTO PDS. 529	20/03/2018	GG			01
DESCRIZIONE MODIFICA	DATA	DIS.	APPR.	D A Q	IR
Duplex Internacional		HANDLE OPC			
		TAV. 500/1/D380		02	
VIETATA LA RIPRODUZIONE DEL DISEGNO LA DITTA SI RISERVA IL DIRITTO DI APPORTARE MODIFICHE SENZA PREAVVISO					ULTIMO INDICE DI REVISIONE

Table 3805001 012018 00380 500 1

Model TURBO 380 122017

floorwashers - carpetwashers
lavapavimenti - lavamoquettes

Table 3805001 012018 00380 500 1

Model TURBO 380 122017

Pos.	Article Code	Description
501	800001076	BLACK HANDLE 280/380
502	084411000	MASK4 RED SWITCH
503	081000000	MOTOR PROTECTOR 1140 F111 P1M1 16A
504	040910000	FAIRLEAD BLACK 11078.1.2 PVC
505	800000238	SCREW TB CROSS 2,9X16
509	800000098	CABLE STOPPER FOR HANDLE
510	800001077	BLACK COVER FOR HANDLE
520	800000315	3 POLES TERMINAL BLOCK
523	800000332	OPERATING SAFETY LEVER
524	800000333	INSERT OPC
525	800000334	JOINT PIN OPC
526	800000335	VOLUTE SPRING OP.SAFT.HANDLE
527	800000347	PUSHBUTTON 2 POLES 16A
528	381805030	LIGHT CABLE 1 CONNECTION TO LEDBOARD 380
529	800000377	WIRING PUSHBUTTON LONG
530	800000418	CABLE WITH PLUG 280/380 36V CONNECT.HANDLE TO BATTERY
531	800000421	E BOARD LED 36V
532	800001419	CAVO COLL. IMP.->BATT. 380
533	800000417	3 POLES PLUG PX0686 FOR BATTERY
534	381805010	LIGHT CABLE 2 CONNECT. HANDLE MOTHERBOAR TO BRUSH MOTOR 380
535	800000376	WIRING PUSHBUTTON SHORT
536	381802020	LIGHT CABLE 13AWG 2X1.5 CONNECT.HANDL- -BRUSH MOTOR
537	800000395	BATTERY RETAINING KNOB SCREW

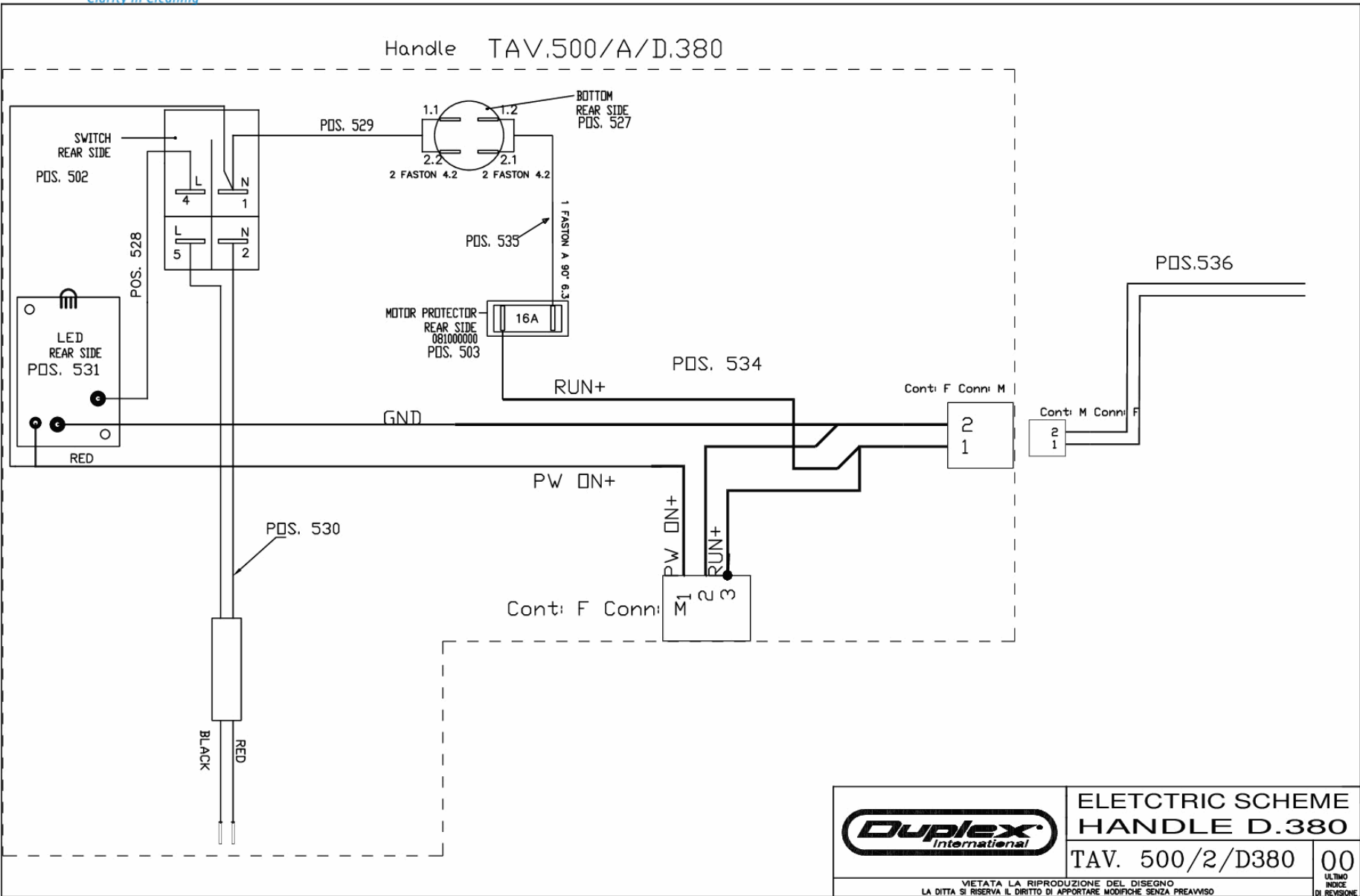


Table 3805002 00380 500 2

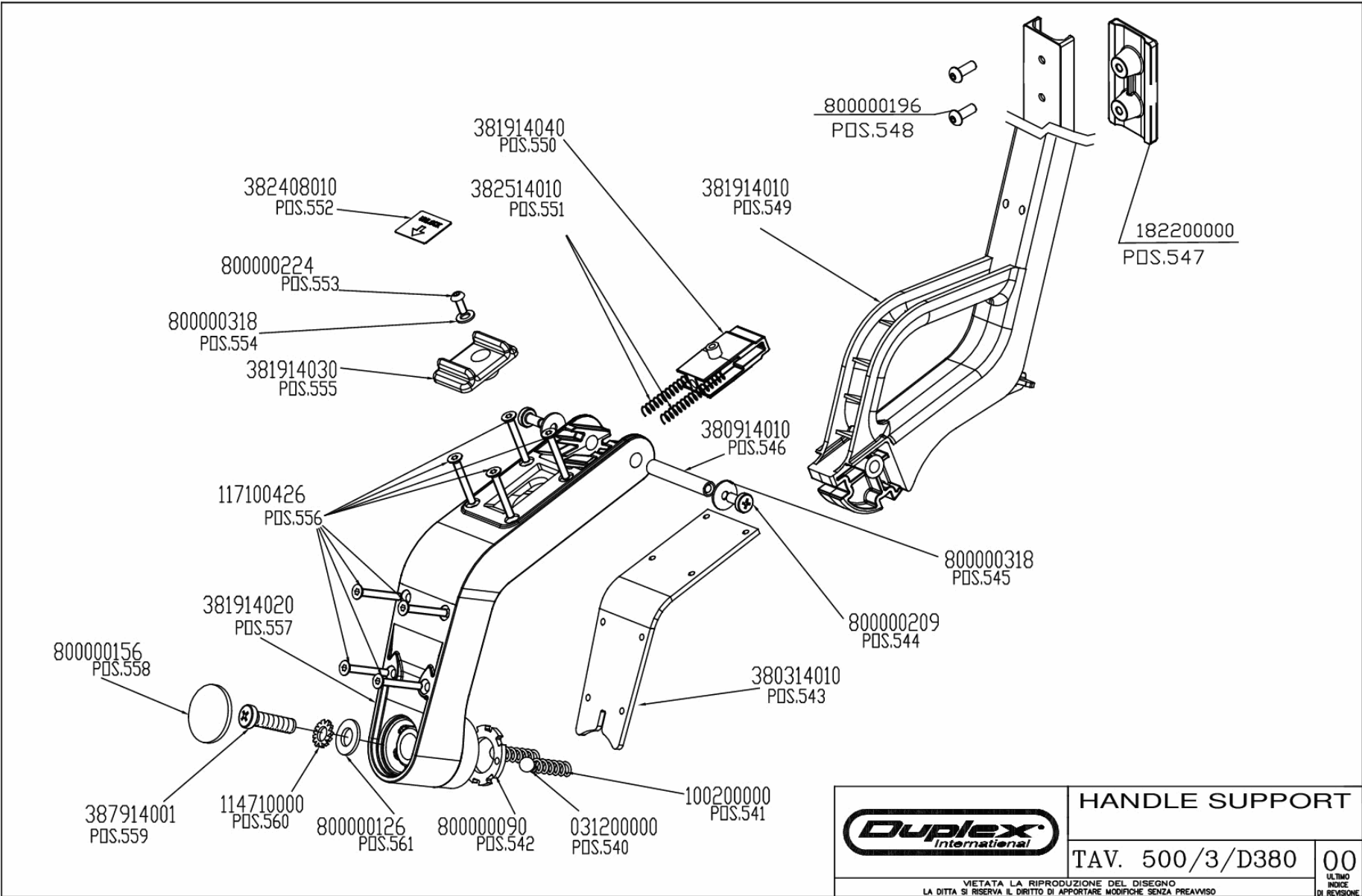
Model TURBO 380 122017

floorwashers - carpetwashers
lavapavimenti - lavamoquette

Table 3805002 00380 500 2

Model TURBO 380 122017

Pos.	Article Code	Description
502	084411000	MASK4 RED SWITCH
503	081000000	MOTOR PROTECTOR 1140 F111 P1M1 16A
527	800000347	PUSHBUTTON 2 POLES 12A
528	381805030	LIGHT CABLE 1 CONNECTION TO LEDBOARD 380
529	800000377	WIRING PUSHBUTTON LONG
530	800000418	CABLE WITH PLUG 280/380 36V CONNECT.HANDLE TO BATTERY
531	800000421	E BOARD LED 36V
534	381805010	LIGHT CABLE 2 CONNECT. HANDLE MOTHERBOAR TO BRUSH MOTOR 380
535	800000376	WIRING PUSHBUTTON SHORT
536	381802020	LIGHT CABLE 13AWG 2X1.5 CONNECT.HANDL--BRUSH MOTOR



	HANDLE SUPPORT	
	TAV. 500/3/D380	00
<small>VIETATA LA RIPRODUZIONE DEL DISEGNO LA DITTA SI RISERVA IL DIRITTO DI APPORTARE MODIFICHE SENZA PREAVVISO</small>		
		<small>ULTIMO INDICE DI REVISIONE</small>

Table 3805003 00380 500 3

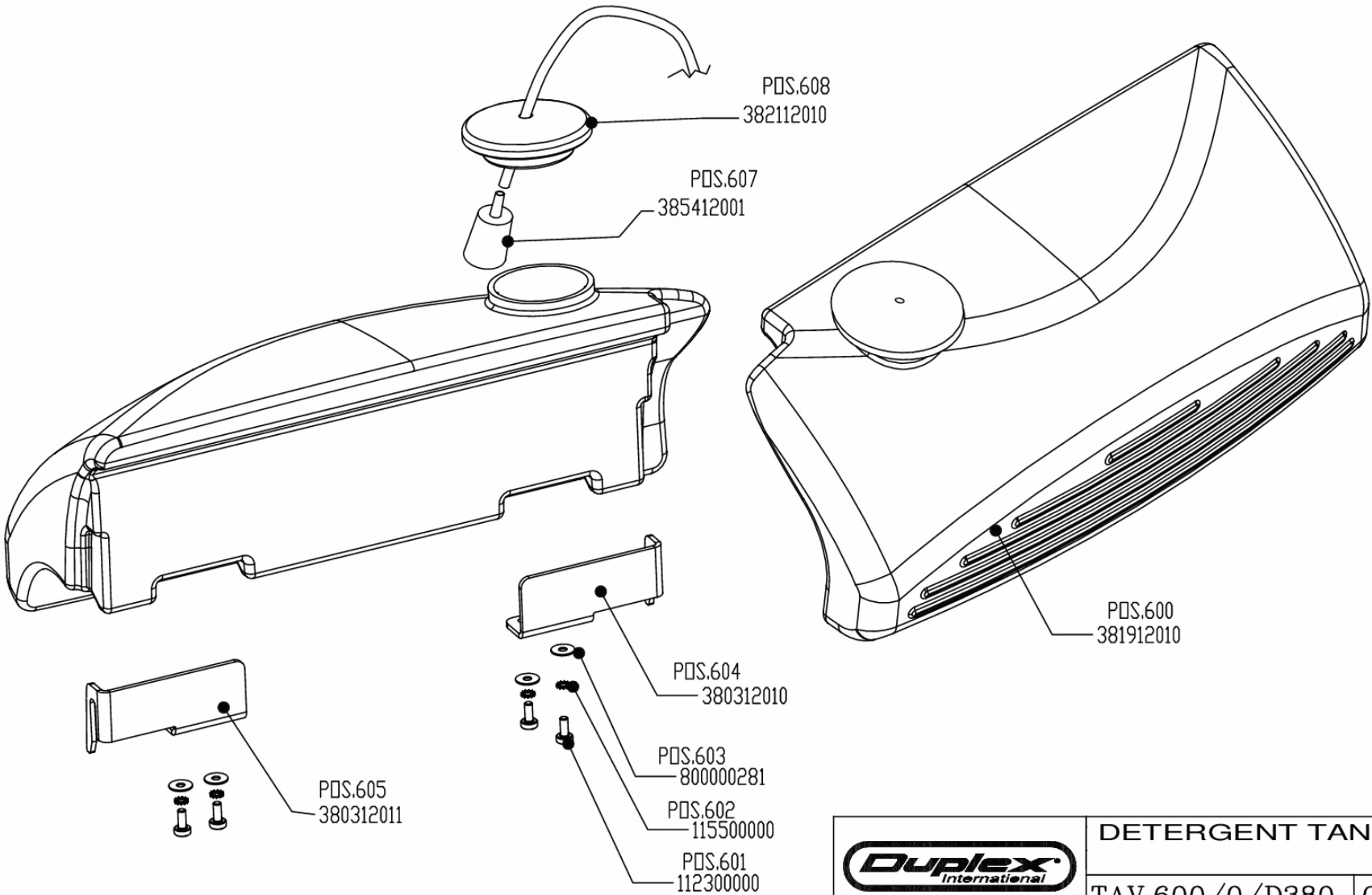
Model TURBO 380 122017

Floorwashers - carpetwashers
lavapavimenti - lavamoquette

Table 3805002 012018 00380 500 2_3

Model TURBO 380 122017

Pos.	Article Code	Description
540	031200000	SPRING LATCH BALL
541	100200000	SPRING LATCH SPRING
542	800000090	LATCH DISK 280
543	380314010	PLATE FOR HANDLE SUPPORT 380
544	800000209	SCREW TB CROSS M5X12
545	800000318	WASHER 5X10X1
546	380914010	PIN FOR HANDLE SUPPORT 380
547	182200000	CLAMPING PLATE
548	800000196	SCREW TC M5X16 ZN BLACK
549	381914010	HANDLE 380
550	381914040	LATCH FOR HANDLE 380
551	382514010	LATCH SPRING 380
552	382408010	"UNLOCK" LABEL 380
553	800000224	SCREW TCB 3,9X16
554	800000318	WASHER 5X10X1
555	381914030	KNOB HANDLE 380
556	117100426	SCREW TSP M4X25 DIN 965 ZN
557	381914020	HANDLE SUPPORT 380
558	800000156	SCREW COVER HANDLE SUPPORT
559	387914001	SCREW TE M6X16 ZN 10.8 DIN933
560	114700000	WASHER THTD D5
561	800000126	WASHER 6X16X1 FOR CENTR WHEEL 6X15X1 ZN



DETERGENT TANK

TAV.600/0/D380

00
ULTIMO
INDICE
DI REVISIONE

VIETATA LA RIPRODUZIONE DEL DISEGNO
LA DITTA SI RISERVA IL DIRITTO DI APPORTARE MODIFICHE SENZA PREAVVISO

Table 3806000 012018 00380 600 0

Model TURBO 380 122017

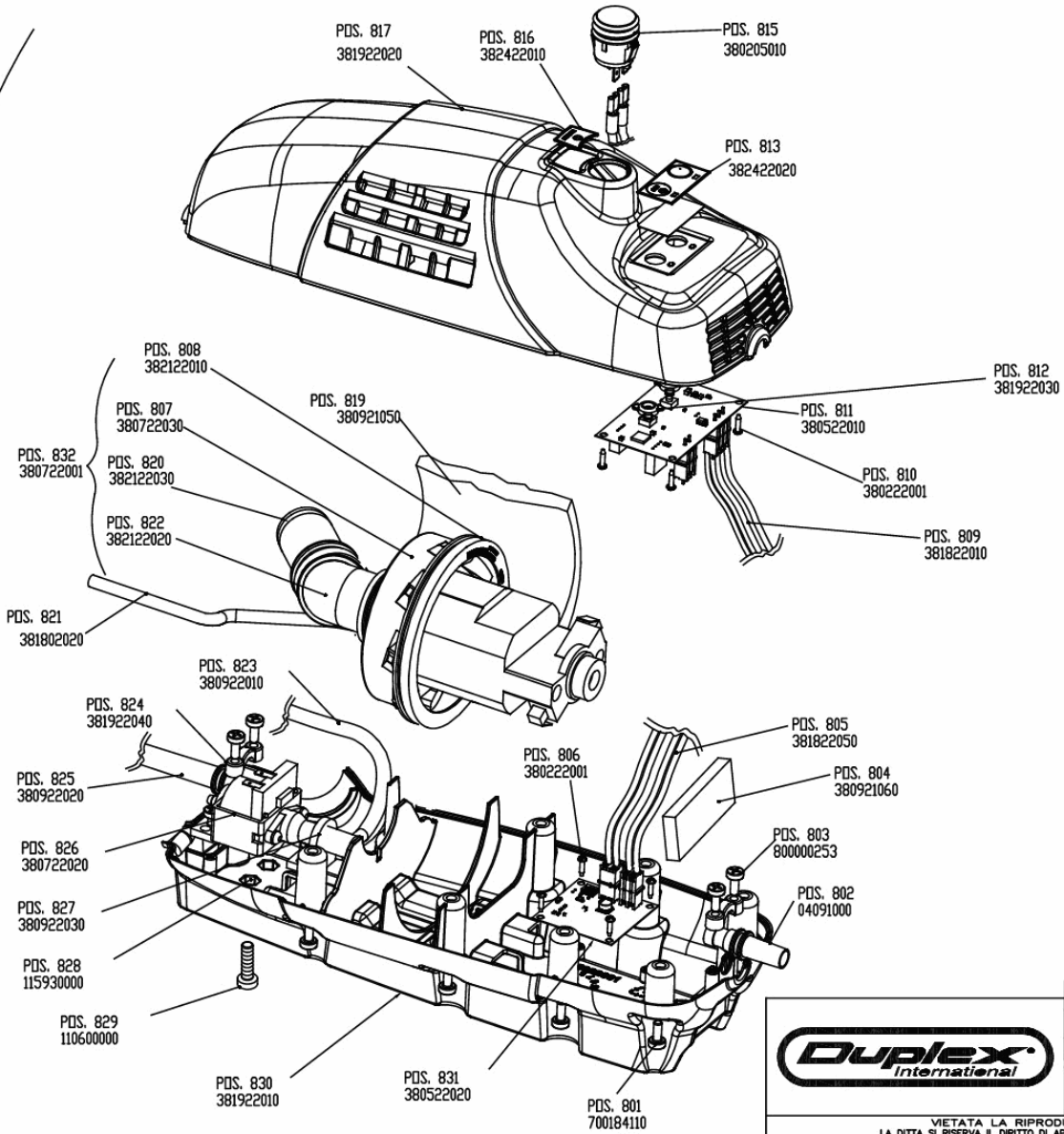
Floorwashers - carpetwashers
lavapavimenti - lavamoquette

Table 3806000 012018 00380 600 0

Model TURBO 380 122017

Pos.	Article Code	Description
600	381912010	SOLUTION TANK
601	112300000	TC SCREW 4X10 ZINC
602	115500000	WASHER THTD D.4
603	800000281	WASHER D 4X12
604	380312010	SUPPORT SOLUTION TANK 380 R
605	380312011	SUPPORT SOLUTION TANK 380 L
607	385412001	FILTER CL.SOLUTION TANK 380
608	382112010	SOLUTION TANK CAP

PDS. 800
380722000



REV01	VARIATO CODICE IN POSIZIONE 815	20/03/2018
-------	---------------------------------	------------

SUCTION AND PUMP GROUP

TAV. 800/0/D380

01
ULTIMO
INDICE
DI REVISIONE

VIETATA LA RIPRODUZIONE DEL DISEGNO
LA DITTA SI RISERVA IL DIRITTO DI APPORTARE MODIFICHE SENZA PREAVVISO

Table 3808000 012018 00380 800 0

Model TURBO 380 122017

floorwashers - carpetwashers
lavapavimenti - lavamoquette

Table 3808000 012018 00380 800 0

Model TURBO 380 122017

Pos.	Article Code	Description
801	700184110	SCREW TC 3,5X16 NI DIN 7981 C
802	040910000	FAIRLEAD BLACK 11078.1.2 PVC
803	800000253	SCREW TC 3,5X16 ZN DIN 7981 C
804	380921060	SOUND DAMPENING SPONGE VAC COV
805	381822050	LIGHT CABLE380 2 CONNECT. MOTHERBOARD/ECO
806	462203015	SCREW TC 3,5X9 NICKEL DIN7981C
807	380722030	VACUUM GROUP
808	382122010	VACUUM MASK 380
809	381822010	WIRING 3 CONNECT. EBOARD/HANDL
810	380222001	SCREW TC 2,9X6,5 ZN DIN7981 F
811	380522010	CONTROL CARD 380 C/SWITCHES DPX
812	381922030	BUTTON KEYWAY
813	382422020	LABEL "ECO/WATER" 380
815	380205010	PUSHBUTTON 2P
816	382422010	LABEL "VACUUM" 380
817	381922020	HIGHER VAC COVER
819	380921050	SOUND DAMPENING SPONGE VAC 380 POLIESTIC PPI45
820	382122030	PIPE OUTPUT 380
821	381802020	LIGHT CABLE 13AWG 2X1.5 CONNECT.HANDL- -BRUSH MOTOR
822	382122020	VAC PIPE 380
823	380922010	HOSE 4X8 PUMP OUTPUP L750 380
824	381922040	CABLE HOLDER LOWER 380
825	380922020	HOSE 4X8 PUMP INPUT L750
826	380722020	PUMP GROUP
827	380922030	PUMP SUPPORT
828	115930000	NUT M5 FOR BOILER
829	110600000	SCREW T.T. 5X12
830	381922010	LOWER VACUUM COVER
831	380522020	EBOARD 380 FOR ECO CONTROL
832	380722001	VACUUM MOTOR GROUP COMPLETE

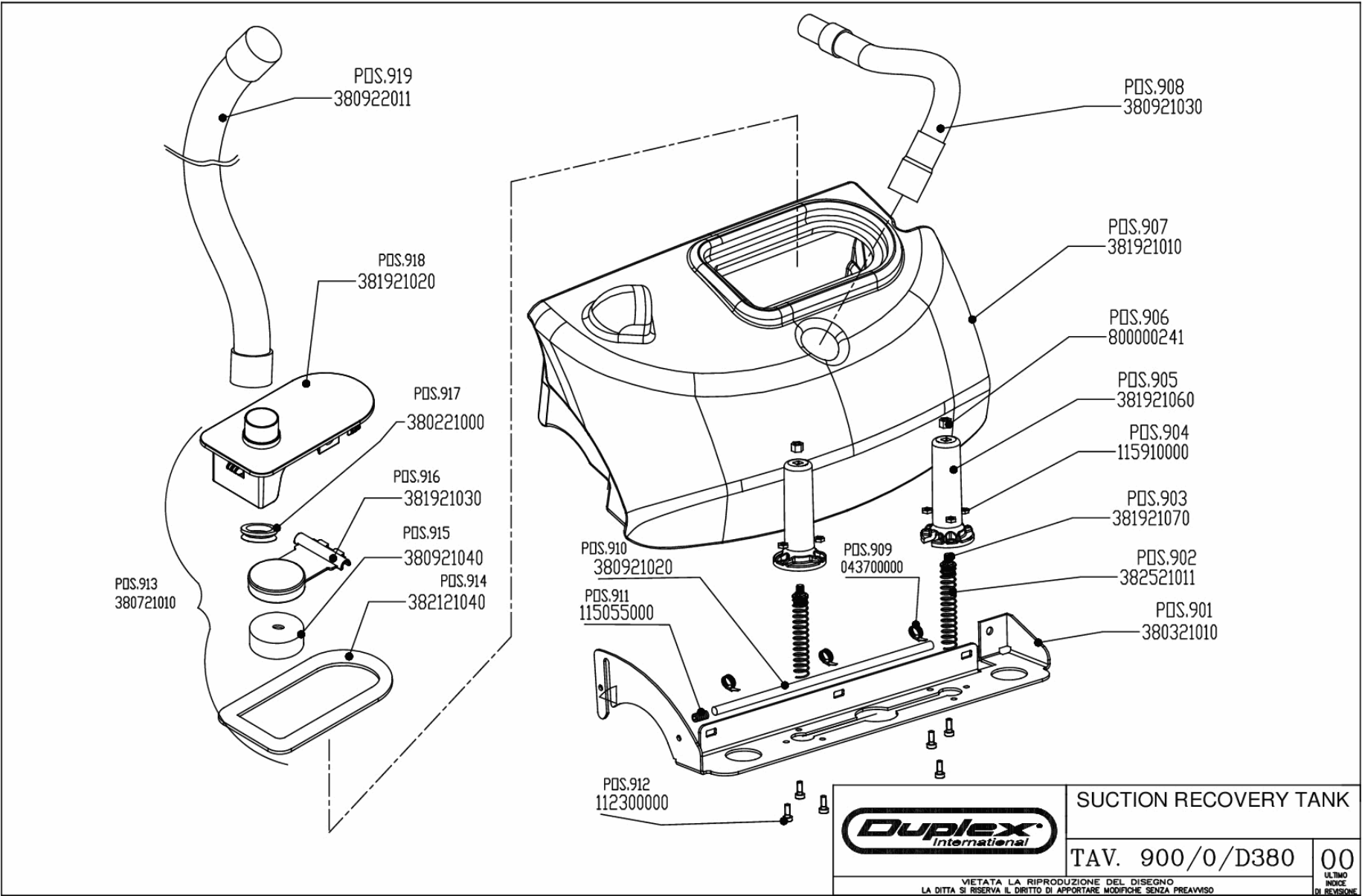


Table 3809000 012018 00380 900 0

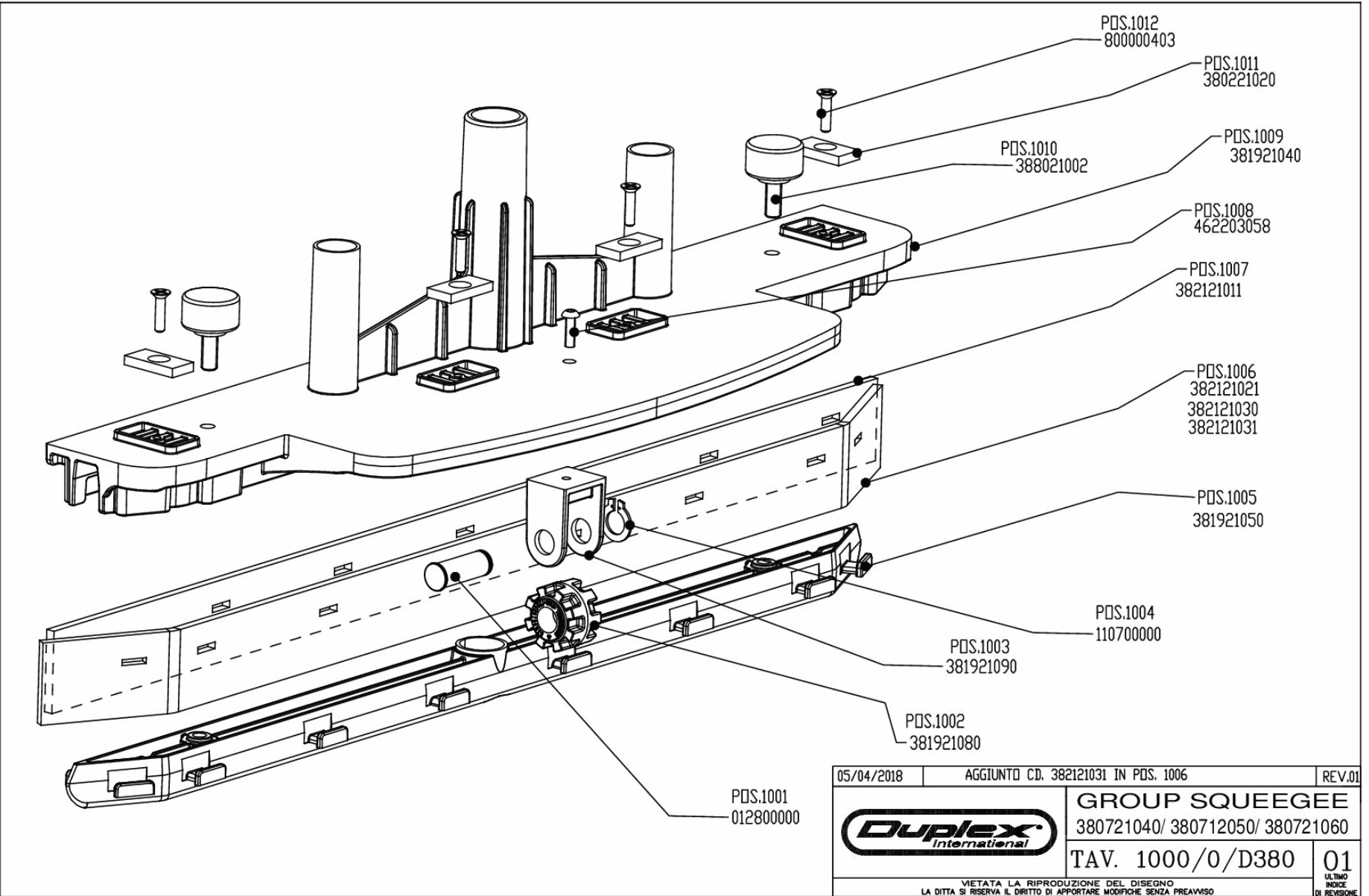
Model TURBO 380 122017

Floorwashers - carpetwashers
lavapavimenti - lavamoquettes

Table 3809000 012018 00380 900 0

Model TURBO 380 122017

Pos.	Article Code	Description
901	380321010	VAC TANK SUPPORT 380
902	382521011	SPRING FOR SQUEEGEE 380
903	381921070	BUSH FOR SPRING
904	115910000	NUT M4 ZN
905	381921060	SPRING GUIDE 380
906	800000241	NUT M5
907	381921010	RECOVERY TANK
908	380921030	WATER SUCTION HOSE
909	043700000	NYLON CLAMP 2,4x60
910	380921020	TUBE FOR DELIVER. CL.SOLUTION
911	115055000	GRAIN M5X8 UNI5927 A2
912	112300000	TC SCREW 4X10 ZINC
913	380721010	RECOVERY TANK CAP WITH FLOAT
914	382121040	GASKET FOR REC TANK CAP
915	380921040	SPONGE PLASTAZOTE LD 18 BLK
916	381921030	FLOAT RECOVERY TANK 380
917	380221000	V-RING 22 VA NBR
918	381921020	CAP FOR VAC. RECOV. TANK
919	380922011	SUCTION HOSE



05/04/2018	AGGIUNTO CD. 382121031 IN PDS. 1006	REV.01
Duplex International		
GROUP SQUEEGEE 380721040/ 380712050/ 380721060		
TAV. 1000/0/D380		01 ULTIMO INDICE DI REVISIONE
<small>VIETATA LA RIPRODUZIONE DEL DISEGNO LA DITTA SI RISERVA IL DIRITTO DI APPORTARE MODIFICHE SENZA PREAVVISO</small>		

Table 3809001 012018 00380 1000 0

Model TURBO 380 122017

floorwashers - carpetwashers
lavapavimenti - lavamoquette

Table 3809001 012018 00380 1000 0

Model TURBO 380 122017

Pos.	Article Code	Description
1000	380721050	KIT SQUEEGEE MONO ASSEMBLED
1000	380721040	KIT SQUEEGEE DUAL ASSEMBLED
1001	012800000	STAINL.STEEL WHEEL SHAFT
1002	381921080	SQUEEGEE WHEEL
1003	381921090	CLAMP WHEEL HOLDER SQG
1004	110700000	BENZING RING D.8 (WHEELS)
1005	381921050	LOWER SQUEEGEE BODY
1006	382121031	DUAL REAR SQUEEGEE INCREDIBLADE 380 RED
1006	382121030	DUAL REAR SQUEEGEE 3MM
1006	382121021	REAR SQUEEGEE 3MM
1007	382121011	FRONT BLACK SQUEEGEE
1008	462203058	SCREW TC 3,9X10 ZN DIN 7981 C
1009	381921040	UPPER SQUEEGEE BODY
1010	388021002	KNURLED KNOB M5X16
1011	380221020	MAGNET 30X13X3
1012	800000403	SCREW TSP 2,9X6,5 A2 DIN7982F

Complete Wiring Diagram DP380 Turbo 12/01/17

