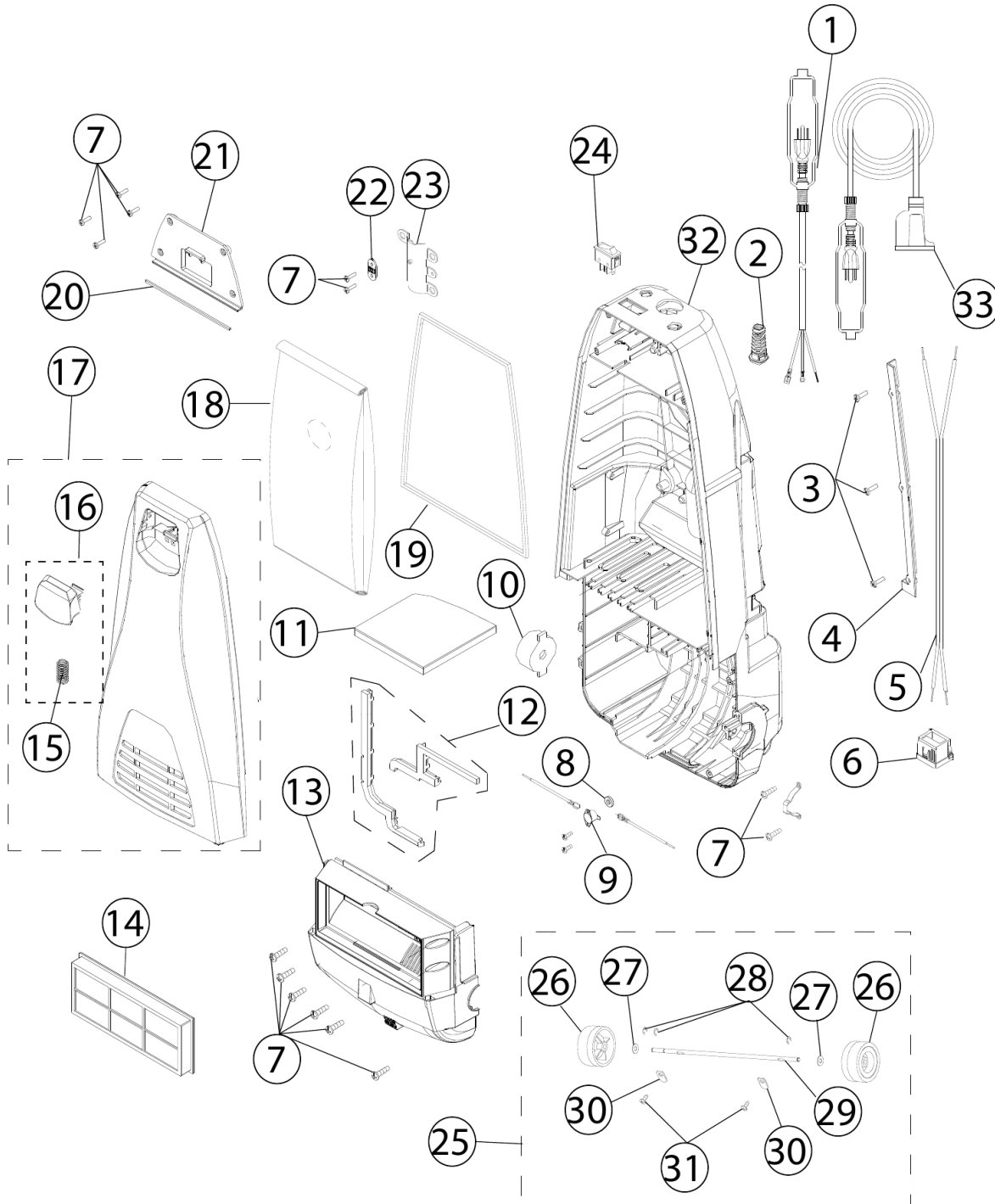


CMP-3T

TABLE OF CONTENTS

Main Body Front	3
Handle, Hose, and Accessories	6
Main Body Back	8
Nozzle Assembly	10
Motor Assembly	12
Wiring Diagram	14

Main Body Front



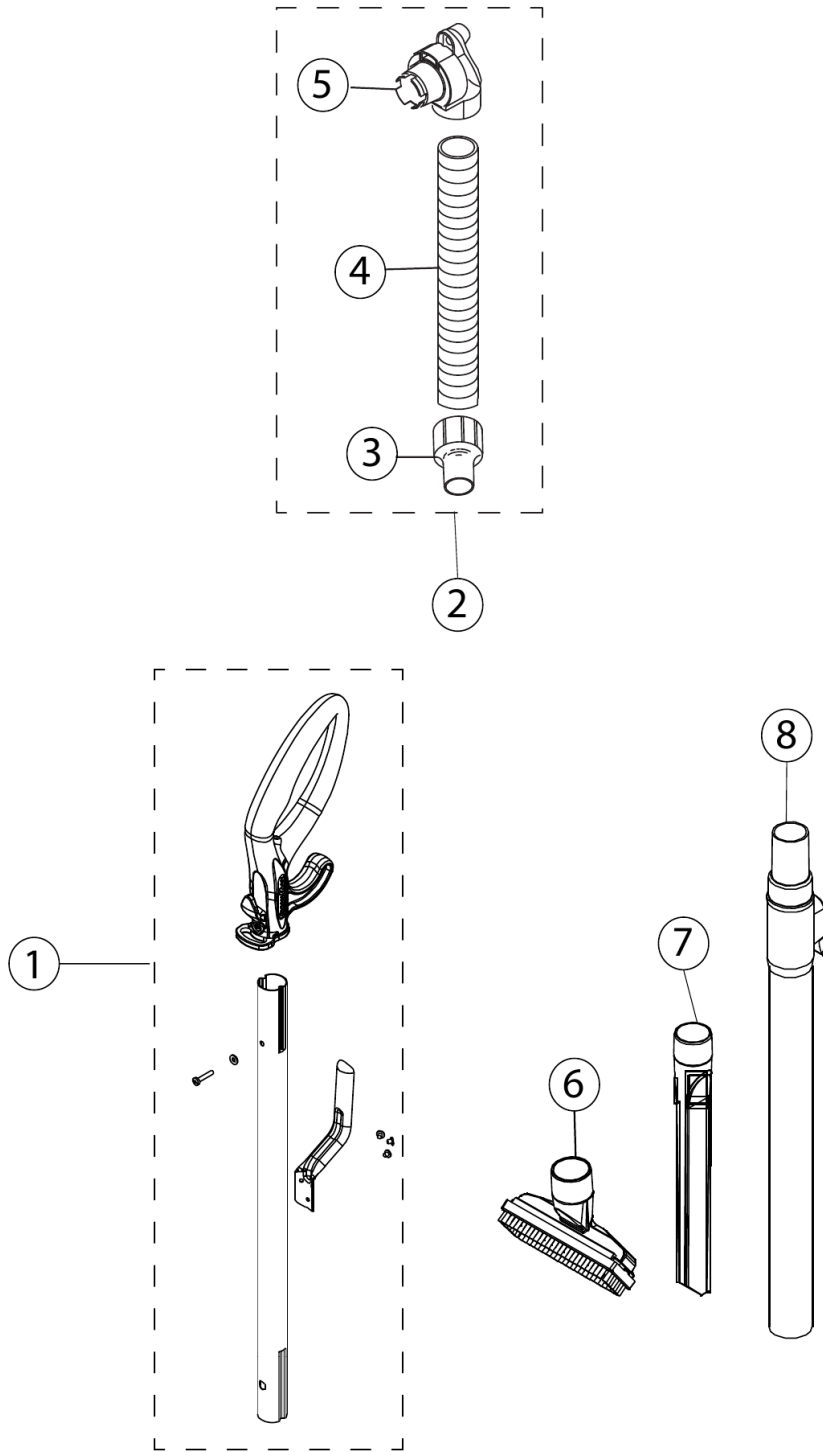
Rendered by LeadVenture, Inc.

Main Body Front

Ref Number	Part Number	Part Description	Context Notes	Quantity
1	CM011458	Pigtail Cord		1
2	X1102	Strain Relief		1
3	A732-7705	Screw 8-32 x 3/8"		3
4	54.129	Wire Harness Cover		1
5	B224-0314B	Motor Cord		1
6	A732-4114	Wire Bushing		1
7	A732-8314	Screw #8-18 x 5/8"		14
8	B333-0600	Thermal Switch Seal		1
9	B333-0400B	Thermal Reset Switch		1
10	B017-0214	Pivot Sleeve Bushing		1
11	90145	Motor Intake Filter		1
12	C609-5000	Motor Cover Seal Kit		1
13	B625-0109	Motor Cover		1
14	CMPS-HEPA	HEPA Filter		1
15	54.123	Dust Cover Latch Spring		1
16	B625-0107	Dust Cover Latch w/ Spring		1
17	C625-0107	Dust Cover Assembly		1
18	CMH-6	HEPA Bag (6 Pack)		1
19	54.134	Dust Compartment Seal		1
20	54.128	Switch Cover Seal		1
21	54.131	Switch Cover		1
22	B332-0014	Cable Clamp		1
23	B431-1700	Handle Retainer		1
24	25.104	ON/OFF Switch		1
25	54.127	Wheel and Axle Assembly		1
26	B210-0531	Rubber Wheel 59mm		2

Ref Number	Part Number	Part Description	Context Notes	Quantity
27	A732-6500	Nylon Washer		2
28	A732-0300	E Clip		3
29	54.135	Rear Axle		1
30	54.136	Axle Clamp		2
31	A732-8500	Screw		2
33	CMPS-EXT30	Extension Cord 30'		1

Handle, Hose, and Accessories

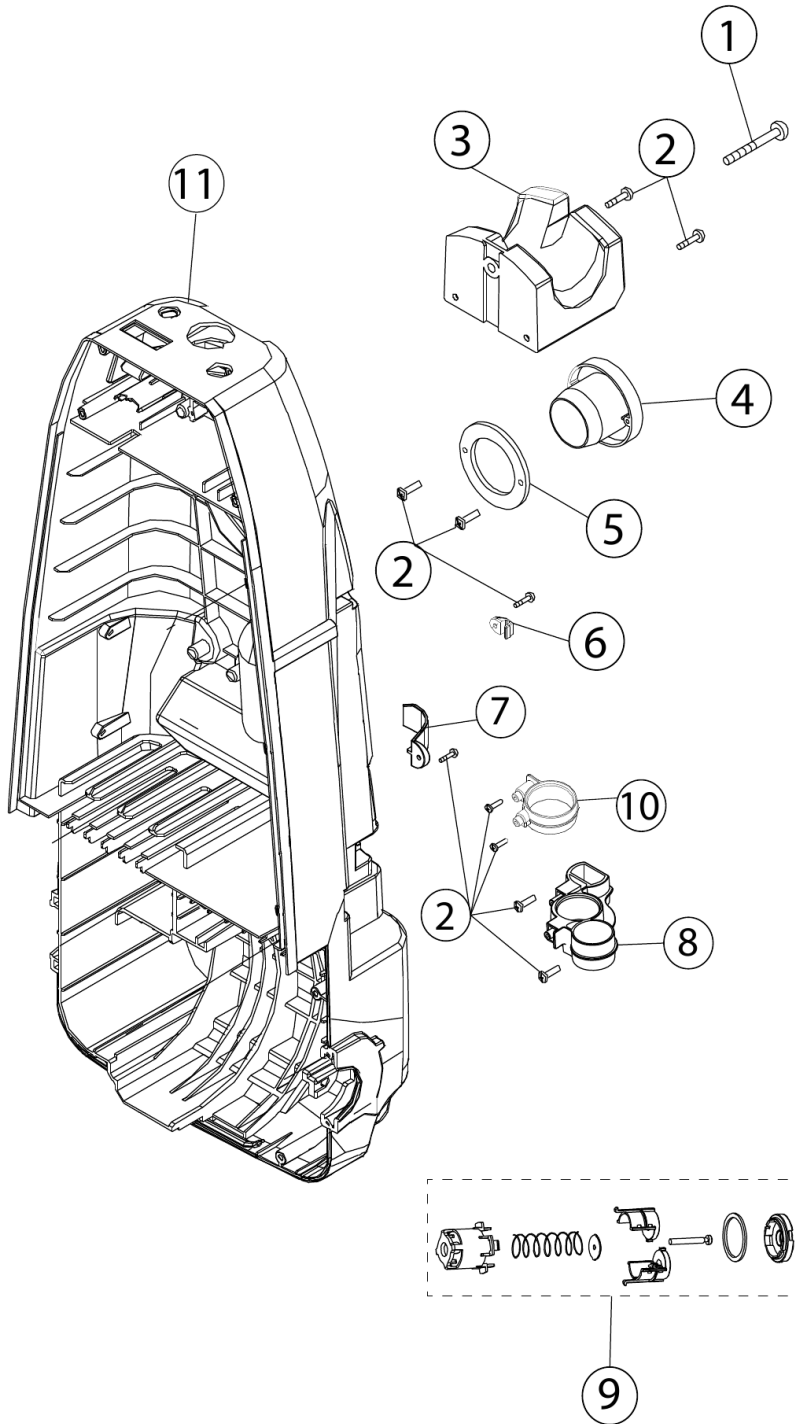


Rendered by LeadVenture, Inc.

Handle, Hose, and Accessories

Ref Number	Part Number	Part Description	Context Notes	Quantity
1	C609-2000	Looped Handle Assembly		1
2	D626-5417	Hose Assembly		1
3	C625-0114	Suction Inlet		1
4	CM031008	Stretch Hose		1
5	54.170	Hose Cuff		1
6	C625-0118	Upholstery Tool w/Natural Brush		1
Optional	C625-0113	Upholstery Tool w/Nylon Brush		1
7	B625-0106	Crevice Tool		1
8	CM040001	Telescopic Wand		1

Main Body Back

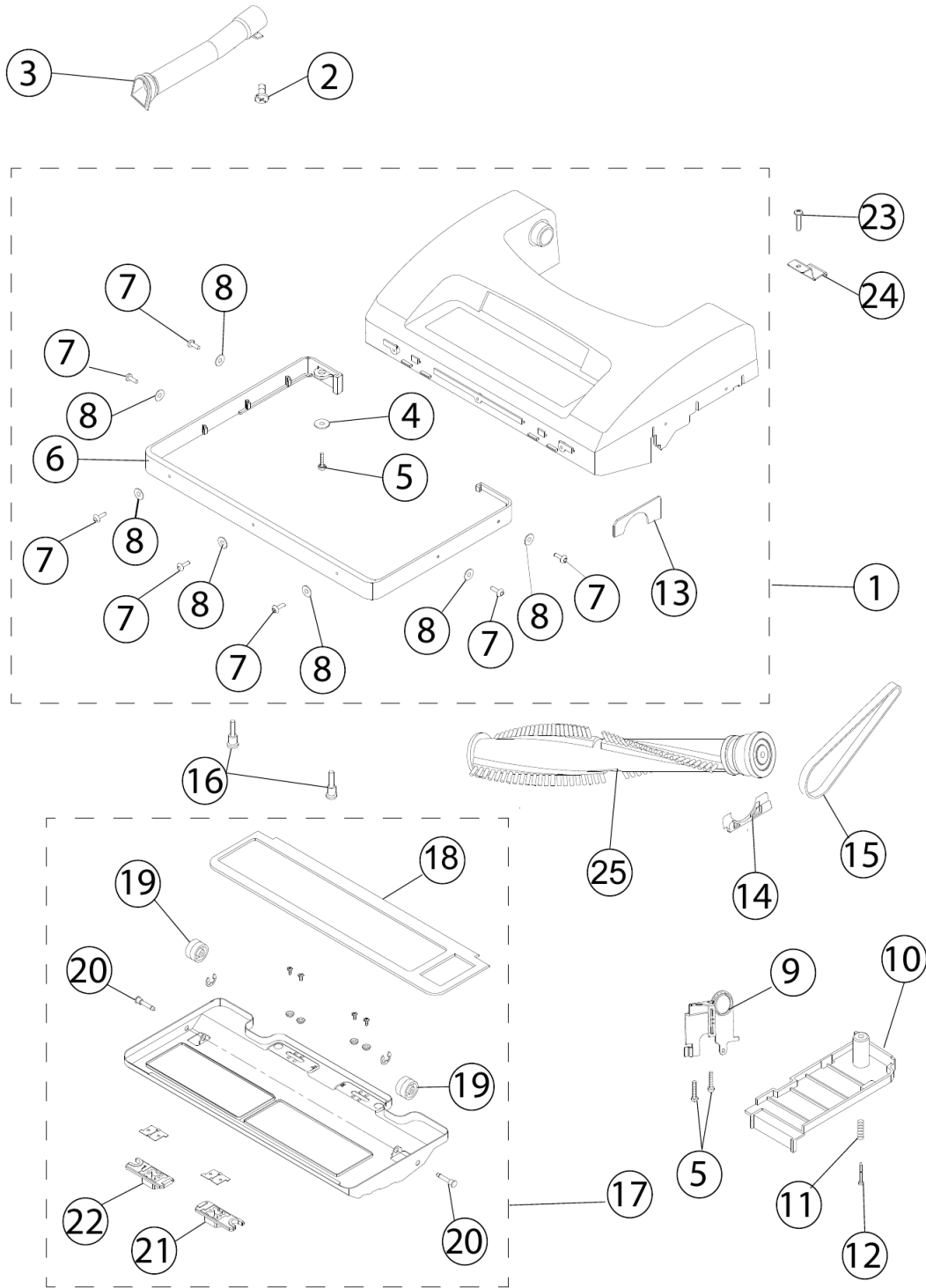


Rendered by LeadVenture, Inc.

Main Body Back

Ref Number	Part Number	Part Description	Context Notes	Quantity
1	A232-0100	Handle Screw M5 x 45		1
2	A732-7705	Screw 8-32 x 3/8"		11
3	54.140	Hose Hanger		1
4	89.855	Bag Inlet		1
5	Z19	Inlet Seal		1
6	B626-1414B	Upholstery Tool Clip		1
7	B625-0100	Hose Clip		1
8	B625-0101	On Board Tool Holder		1
9	CM021021	Relief Valve Assembly		1
10	B625-0102	Upper Wand Retainer		1
11	C625-0106	Dust Compartment		1

Nozzle Assembly

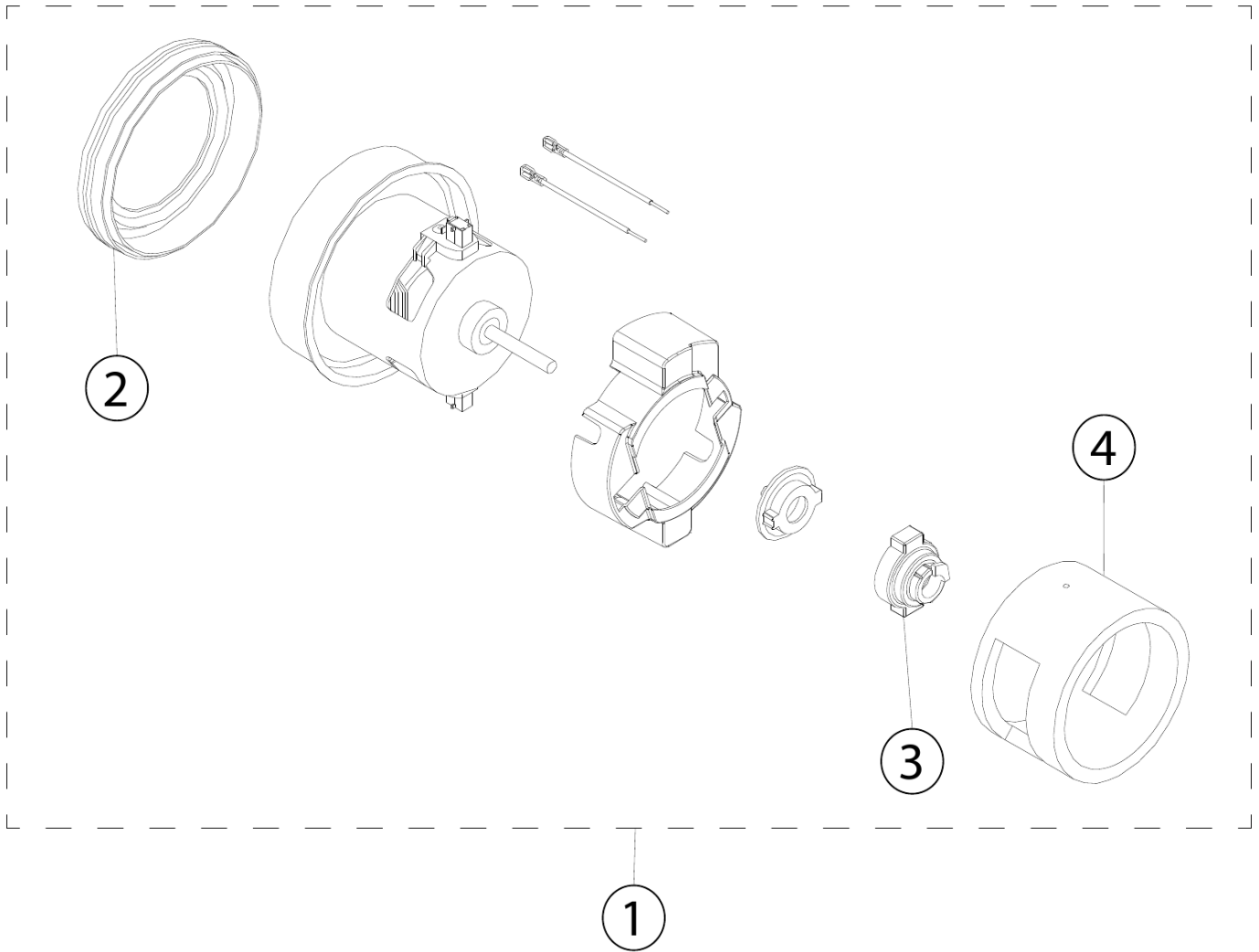


Rendered by LeadVenture, Inc.

Nozzle Assembly

Ref Number	Part Number	Part Description	Context Notes	Quantity
1	C625-0108	Nozzle Housing w/Furniture Guard		1
2	A732-2500	Screw M4 x 12		1
3	CMPS-NOZTUBE	Nozzle Inlet Tube		1
4	A430-0405	Washer		1
5	A732-8314	Screw #8-18 x 5/8"		3
6	B625-0108	Furniture Guard Clear		1
7	BA00943000	Rivet		7
8	4300032	Washer		7
9	B020-0200	Pedal Frame		1
10	CM011006	Swivel Belt Cover		1
11	CM031005	Spring		1
12	CM031004	Screw		1
13	A09	Felt Packing		1
14	B017-1200	Vented Support Fitting		1
15	B014-0714	Belt		1
16	CM011012	Stud Screw		2
17	CM011007	Base Plate		1
18	CM031001	Baseplate Gasket		1
19	B010-1913	Baseplate Wheel		2
20	B010-0500	Baseplate Wheel Axle		2
21	CM011008	Baseplate Latch Left		1
22	CM011009	Baseplate Latch Right		1
23	CM031000	Screw		1
24	53.088B	Handle Release Spring		1
25	C625-0100	Plastic Brushroll Assembly		1

Motor Assembly

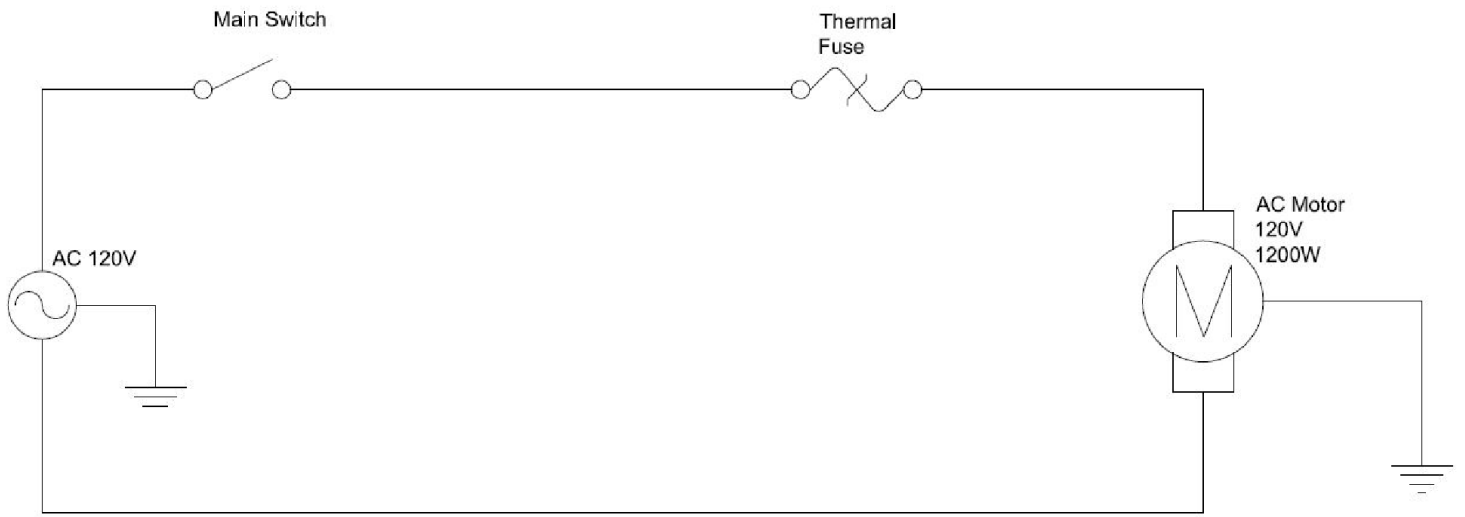


Rendered by LeadVenture, Inc.

Motor Assembly

Ref Number	Part Number	Part Description	Context Notes	Quantity
1	C625-0103	Motor Assembly 10A Two Stage		1
2	B113-0230	Rear Motor Mount		1
3	B123-1300	Metal Pivot		1
4	B123-1900	Sound Suppressor		1

Wiring Diagram



Rendered by LeadVenture, Inc.

Wiring Diagram

Ref Number	Part Number	Part Description	Context Notes	Quantity
1	C625-0103	Motor Assembly 10A Two Stage		1
2	B333-0400B	Thermal Reset Switch		1
3	25.104	ON/OFF Switch		1