

04. CAS16

TABLE OF CONTENTS

CAS16 Cover Shot	3
29 Mar 2023 CAS 16 Base Assembly	5
Accessories and Consumables	11
29 Nov 2022 CAS 16 Handle Assembly	13
20 Jan 2022 CAS16 Recovery Tank	18
20 Jan 2022 CAS16 Solution Tank	20
20 Jan 2022 CAS16 Brush Housing and Squeegee Assembly	22
20 Jan 2022 CAS16 Base Assembly	26
CAS16 Assemblies	32

CAS16 Cover Shot

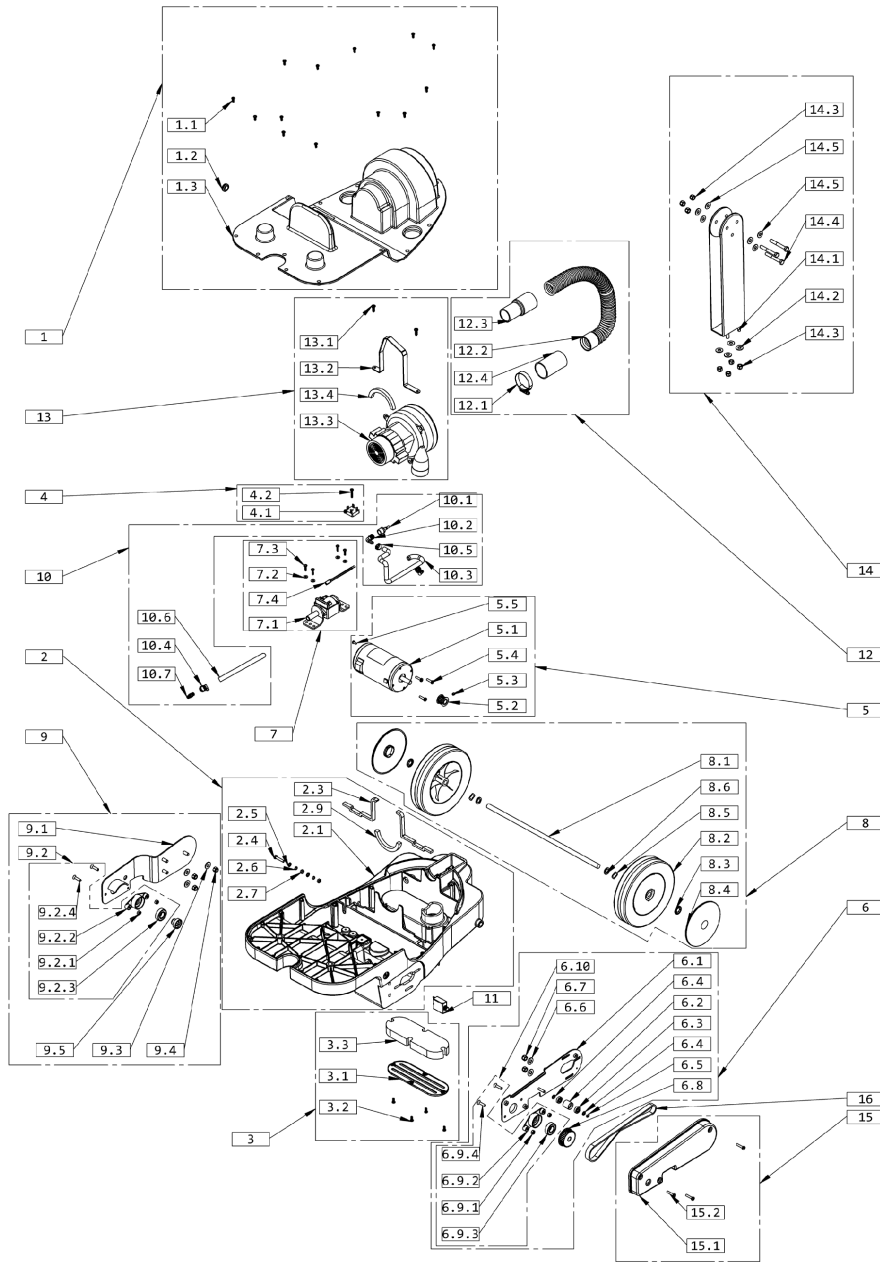


Rendered by LeadVenture, Inc.

CAS16 Cover Shot

Ref Number	Part Number	Part Description	Context Notes	Quantity
------------	-------------	------------------	---------------	----------

29 Mar 2023 CAS 16 Base Assembly



Rendered by LeadVenture, Inc.

29 Mar 2023 CAS 16 Base Assembly

Ref Number	Part Number	Part Description	Context Notes	Quantity
1	CAS139	Base Cover and Screws		1
1.1	02-3465-0000	Screw M5 x 12		13
1.2	02-3520-0000	Grommet		1
1.3	03-7864-0067	Chassis Cover		1
2	CAS137	Base Assembly		1
2.1	CAS111	Chassis Assembly		1
2.2	02-4524-0000	Grommet		1
2.3	X2020	Foam Strip 1/2"W x 1/4"T		17.7
2.4	00-0630-0111	Screw M6 x 30		1
2.5	00-0600-0502	Washer		3
2.6	00-0600-0511	Spring Washer		2
2.7	00-0600-0701	Nut		2
2.8	X9214	Ground Symbol Label		1
2.9	03-7979-0000	Sealing Pad		1
3	CAS126	Filter And Cover		1
3.1	CAS98	Filter Cover		1
3.2	02-3465-0000	Screw M5 x 12		4
3.3	CAS99	Filter		1
4	CAS138	Rectifier Assembly		1
4.1	04-3409-0000	Rectifier		1
4.2	CAS24	Self Tapper		1

Ref Number	Part Number	Part Description	Context Notes	Quantity
5	CAS136	Brush Motor Assembly		1
5.1	CAS62	Brush Motor		1
5.2	CAS118	Brush Drive Motor Pulley (15 T)		1
5.3	00-0606-0171	Set Screw M6 x 6		1
5.4	CAS124	Screw M5 x 20		3
5.5	00-0410-0011	Screw M4 x 10		1
6	CAS69	Belt Side Motor Plate Assembly		1
6.1	03-7866-0000	Brush Drive Motor Plate		1
6.2	CAS87	Idler Pulley		1
6.3	CAS83	Bearing 626 2RS		2
6.4	00-0600-0502	Washer		2
6.5	02-3245-0000	Circlip		1
6.6	00-0800-0551	Washer		2
6.7	00-0800-0721	Nyloc Nut		2
6.8	CAS93	Brush Sprocket		1
6.9	CAS152	Brush Bearing Kit		1
6.9.1	00-0600-0721	Nyloc Nut		2
6.9.2	90-0624-0000	Housing Sprocket		1
6.9.3	CAS88	Bearing 6003-2RS		1
6.9.4	00-0625-0031	Screw M6 x 25		2
7	CAS140	Pump Assembly		1

Ref Number	Part Number	Part Description	Context Notes	Quantity
7.1	SC328	Pump W/Rubber Mounts		1
7.2	00-0500-0551	Washer		4
7.3	FD66	Screw KN50 x 16		4
7.4	04-3396-0000	Thermal Overload Protection		1
8	CAS135	Wheel Assembly		1
8.1	CAS56	Axle		1
8.2	SC339	8" Wheel		2
8.3	02-0254-0000	Starlock Washer		2
8.4	SC340	Wheel Cap		2
8.5	07723	Spring Washer		2
8.6	00-1200-0501	Washer		2
9	CAS70	Idle Side Bearing Plate Assembly		1
9.1	03-7867-0067	Brush Bearing Plate		1
9.2	CAS152	Brush Bearing Kit		1
9.2.1	00-0600-0721	Nyloc Nut		2
9.2.2	90-0624-0000	Housing Sprocket		1
9.2.3	CAS88	Bearing 6003-2RS		1
9.2.4	00-0625-0031	Screw M6 x 25		2
9.3	00-0800-0551	Washer		3
9.4	00-0800-0721	Nyloc Nut		3
9.5	03-8007-0000	Bushing		1

Ref Number	Part Number	Part Description	Context Notes	Quantity
10	CAS144	Solution Hose Assembly		1
10.1	SC304	Male Coupling Connector		1
10.2	SC310	1/4" Metal Male Elbow		1
10.3	71817A	Braided Hose 1/4" 250 PSI		16.1
10.4	7DL003	Hose Clamp		2
10.5	X2165	1 Eared Hose Clamp		1
10.6	71817A	Braided Hose 1/4" 250 PSI		11.4
10.7	02-4535-0000	Elbow Connector		1
11	04-3940-0000	Circuit Breaker 2.5A, 115V		1
12	CAS143	Recovery Hose Assembly		1
12.1	02-4369-0000	Hose Clamp		1
12.2	CAS119	Vacuum Hose		1
12.3	02-0120-0000	Hose Cuff 38 mm		1
12.4	02-3328-0000	Hose Cuff		1
13	CAS142	Vacuum Motor Assembly		1
13.1	SC347	Screw M6 x 18		2
13.2	03-7872-0000	Vacuum Motor Strap		1
13.3	X2084-115	2 Stage Vacuum Motor		1
13.4	03-7979-0000	Sealing Pad		1
14	CAS141	Handle Support Assembly		1
14.1	CAS57	Handle Support		1
14.2	00-0800-0551	Washer		4
14.3	00-0800-0721	Nyloc Nut		7

Ref Number	Part Number	Part Description	Context Notes	Quantity
14.4	00-0860-0121	Bolt M8 x 60		3
14.5	00-0800-0503	Fender Washer		6
15	CAS125	Belt Cover Plate		1
15.1	CAS115	Belt Cover		1
15.2	CAS102	Screw M5 x 25		3
16	CAS59	Brush Drive Belt		1

Accessories and Consumables

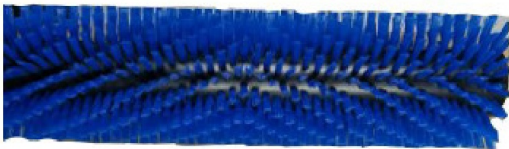
1



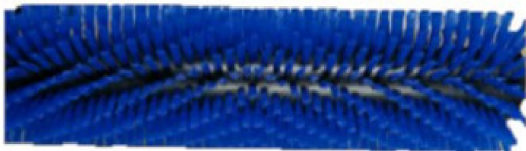
2



3



4



5

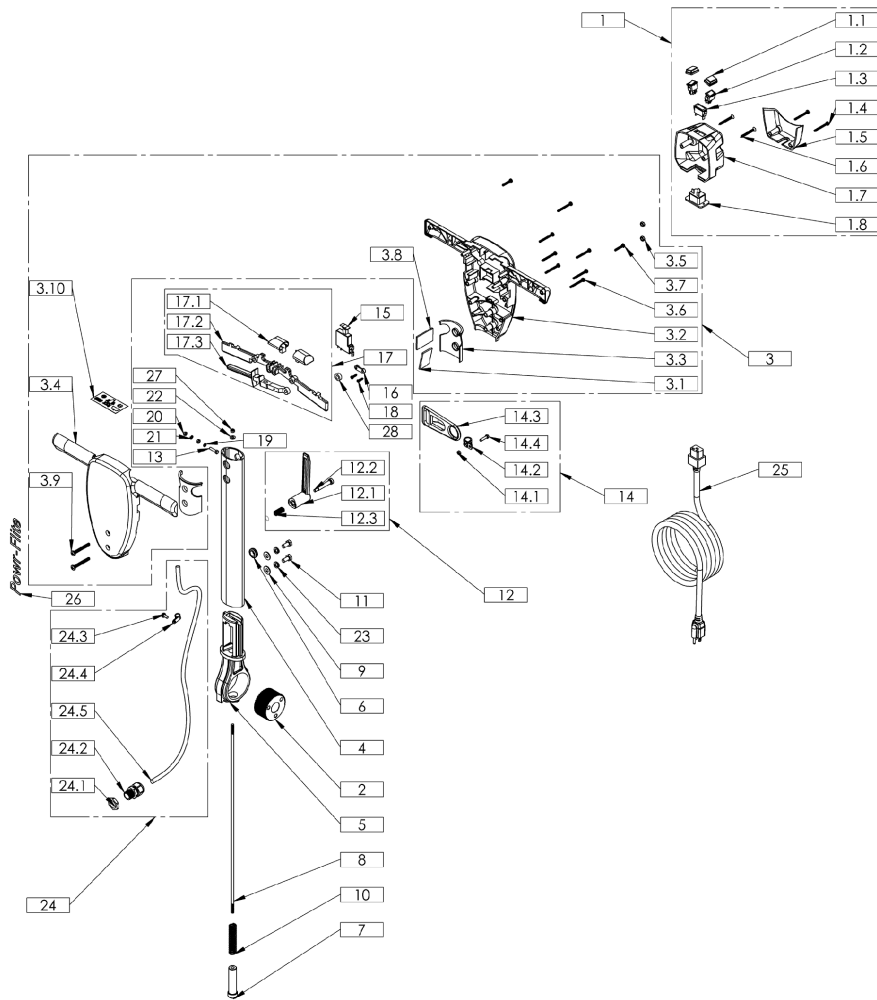


Rendered by LeadVenture, Inc.

Accessories and Consumables

Ref Number	Part Number	Part Description	Context Notes	Quantity
1	CAS58G	Standard Brush		
2	CAS58HB	Hard Brush		
3	CAS58HL	High Low Brush		
4	CAS58SB	Soft Brush		
5	CAS75	Side Brush Assembly		

29 Nov 2022 CAS 16 Handle Assembly



Rendered by LeadVenture, Inc.

29 Nov 2022 CAS 16 Handle Assembly

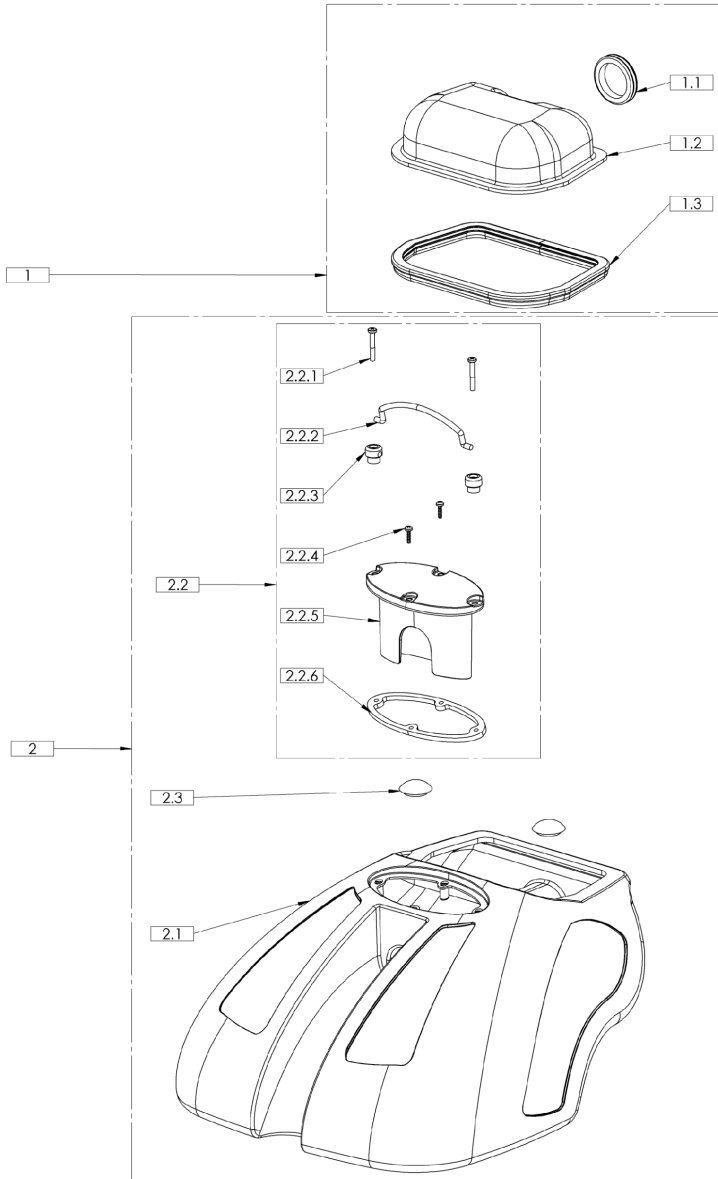
Ref Number	Part Number	Part Description	Context Notes	Quantity
1	CAS150	Switch Box Assembly		1
1.1	02-4492-0000	Splash Proof Switch Cover		2
1.2	CAS43	Minature Rocker Switch		2
1.3	04-3255-0000	Green Indicator Light		1
1.4	X2295	Screw #10 x 1-3/4"		2
1.5	CAS34	Cord Retainer		1
1.6	02-4616-0000	Screw M4.8 x 45		2
1.7	CAS39	Cord Inlet Box		1
1.8	CAS41	Inlet Socket		1
2	CAS35	Handle Gear		1
3	CAS151	Handle Housing Assembly		1
3.1	03-6693-0067	Plate		1
3.2	03-6087-0067	Back Handle Half		1
3.3	CAS25	Rubber Handle Gasket		2
3.4	03-6086-0067	Front Handle Half		1
3.5	00-0600-0701	Nut		2
3.6	X2295	Screw #10 x 1-3/4"		7
3.7	CAS24	Self Tapper		2
3.8	03-7917-0067	Plate		1
3.9	00-0650-0011	Screw M6 x 50		2
3.10	03-7936-0000	Operating Label		1

Ref Number	Part Number	Part Description	Context Notes	Quantity
4	03-7927-0000	Handle Tube		1
5	03-7831-0000	Aluminum Knuckle		1
6	02-3520-0000	Grommet		1
7	CAS36	Gear Dog		1
8	03-7919-0000	Adjusting Rod		1
9	00-0800-0503	Fender Washer		2
10	CAS22	Spring		1
11	00-0816-0111	Screw M8 x 16		2
12	CAS147	Cord Hook		1
12.1	03-5403-0000	Cable Hook		1
12.2	02-3523-0000	Shoulder Bolt M6 x 8 x 40		1
12.3	03-5410-0000	Spring		1
13	00-0520-0111	Screw M5 x 20		1
14	CAS148	Cord Retainer		1
14.1	00-0500-0701	Nut		1
14.2	02-3151-0000	P Clip		1
14.3	02-3152-0000	Cable Strain Relief Bracket		1
14.4	00-0520-0111	Screw M5 x 20		1
15	CAS40	Switch		1
16	04-0237-0000	Cable Clamp		1

Ref Number	Part Number	Part Description	Context Notes	Quantity
17	CAS149	Trigger Assembly		1
17.1	03-6092-0067	Interlock		2
17.2	03-6090-0067	Trigger		2
17.3	03-6089-0067	Gear Operating Lever		1
18	02-3518-0000	Self Tapping Screw		2
19	00-0500-0531	External Tooth Lock Washer		1
20	00-0500-0701	Nut		2
21	00-0500-0511	Spring Washer		1
22	00-0500-0551	Washer		1
23	01577	Lock Washer		2
24	CAS145	Inline Cord Assembly		1
24.1	04-3213-0000	Nylon Nut		1
24.2	02-3703-0000	Cable Gland M20		1
24.3	02-3416-0000	Screw M5 x 12		1
24.4	02-4219-0000	P Clip		1
24.5	04-4030-0000	Drop Lead		1
25	04-3246-0000	Power Cord 120V 15A Yellow		1
26	X8401A	Powrflite Label w/o Shadow		1
27	00-0500-0723	Nyloc nut		1

Ref Number	Part Number	Part Description	Context Notes	Quantity
28	19190	Spacer		1

20 Jan 2022 CAS16 Recovery Tank

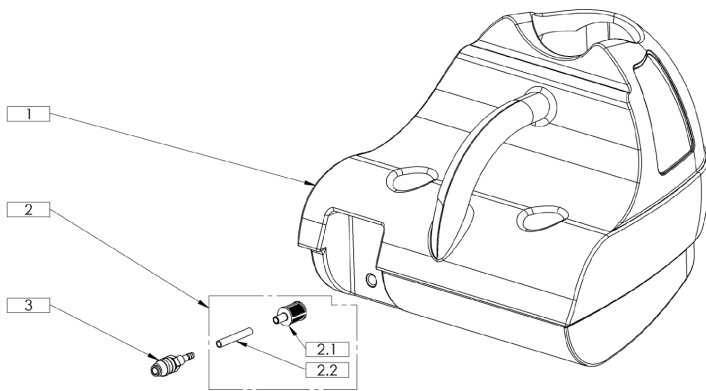


Rendered by LeadVenture, Inc.

20 Jan 2022 CAS16 Recovery Tank

Ref Number	Part Number	Part Description	Context Notes	Quantity
1	CAS67	Clear Dome Assembly		1
1.1	02-3630-0000	Grommet		1
1.2	CAS94	Recovery Tank Lid		1
1.3	CAS95	Recovery Tank Lid Gasket		1
2	CAS155	Recovery Tank Kit		1
2.1	CAS105	Recovery Tank		1
2.2	CAS132	Recovery Tank Cover Assembly		1
2.2.1	00-0530-0003	Screw M5 x 30		2
2.2.2	03-7884-0000	Recovery Tank Handle		1
2.2.3	CAS79	Recovery Tank Handle Pin		2
2.2.4	FD66	Screw KN50 x 16		2
2.2.5	CAS78	Recovery Tank Inlet Cover		1
Not Shown	CAS78A	Recovery Tank Handle Kit		1
2.2.6	CAS77	Recovery Tank Lid Gasket		1
2.3	02-4536-0000	Plug		2

20 Jan 2022 CAS16 Solution Tank

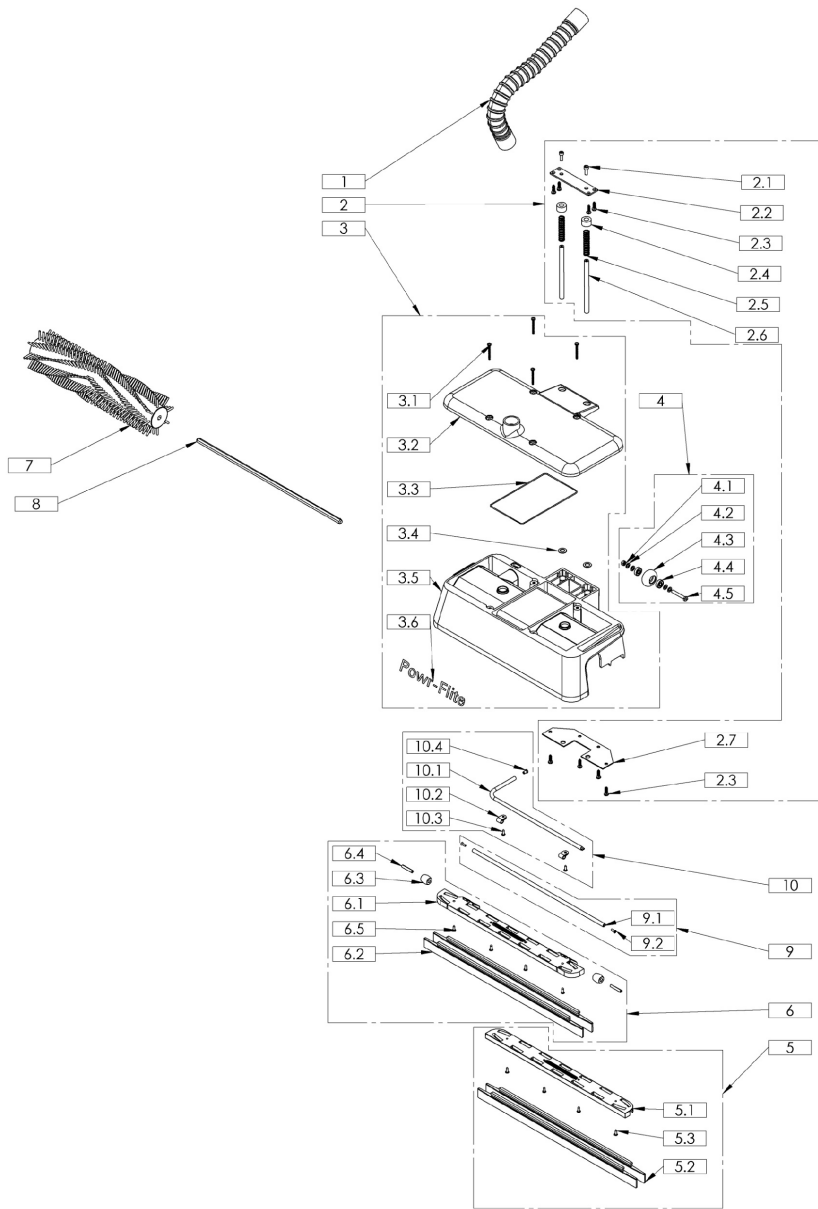


Rendered by LeadVenture, Inc.

20 Jan 2022 CAS16 Solution Tank

Ref Number	Part Number	Part Description	Context Notes	Quantity
1	03-7858-0067	Solution Tank		1
2	CAS130	Filter and Hose Assembly		1
2.1	SC333	Filter		1
2.2	02-0265-1000	Tubing 1/4" I.D. x 3/8" O.D.		1.57
3	SC303	Bulkhead Coupling		1

20 Jan 2022 CAS16 Brush Housing and Squeegee Assembly



Rendered by LeadVenture, Inc.

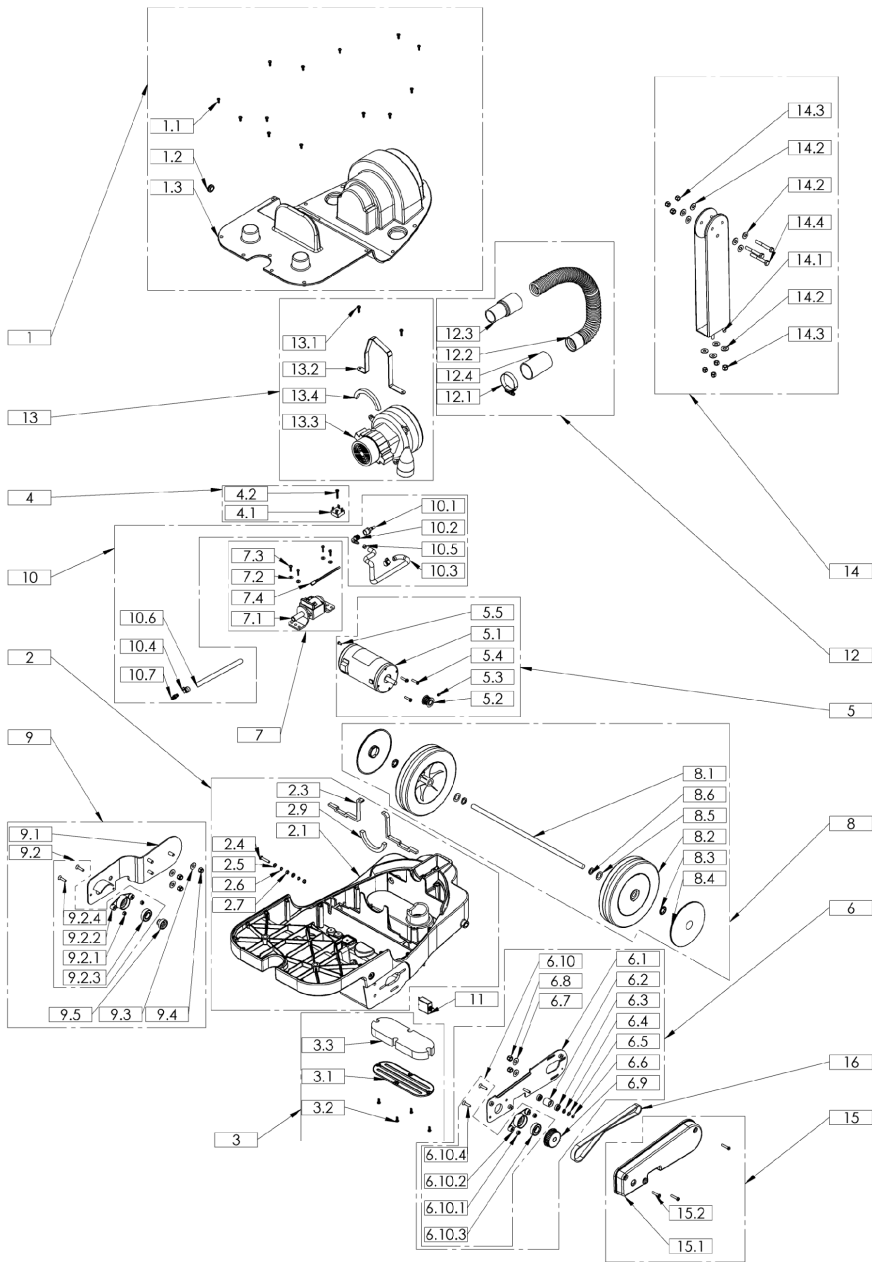
20 Jan 2022 CAS16 Brush Housing and Squeegee Assembly

Ref Number	Part Number	Part Description	Context Notes	Quantity
1	SC312	Vacuum Pick Up Hose		1
2	CAS154	Brush Housing Mounting Kit		1
2.1	00-0616-0091	Screw M6 x 16		2
2.2	03-7888-0000	Vacuum Shoe Mount Top		1
2.3	SC347	Screw M6 x 18		8
2.4	03-7948-0000	Spacer		2
2.5	03-7302-0000	Spring		2
2.6	03-7889-0000	Vacuum Shoe Mount Pin		2
2.7	03-7879-0000	Vacuum Shoe Mount Base		1
3	CAS153	Brush Housing Kit		1
3.1	X2295	Screw #10 x 1-3/4"		4
3.2	03-7877-0067	Brush Housing Cover		1
3.3	03-6216-1000	Upper Tank Gasket		19.69
3.4	00-1000-0501	Washer		2
3.5	03-7878-0067	Brush Housing		1
3.6	X8401A	Powrflite Label w/o Shadow		1
4	CAS74	Squeegee Wheel Assembly		1
4.1	00-0600-0721	Nyloc Nut		1
4.2	00-0600-0502	Washer		4
4.3	CAS82	Urethane Wheel		1

Ref Number	Part Number	Part Description	Context Notes	Quantity
4.4	CAS83	Bearing 626 2RS		2
4.5	00-0640-0121	Bolt M6 x 40		1
5	CAS68	Rear Squeegee Assembly Kit		1
5.1	03-7876-0067	Squeegee Housing		1
5.2	CAS84	Squeegee Blade		2
5.3	02-4523-0000	Screw #8 x 3/4"		4
6	CAS76	Front Squeegee Assembly kit		1
6.1	03-7989-0000	Front Squeegee Housing		1
6.2	CAS84	Squeegee Blade		2
6.3	CAS122	Squeegee Roller		2
6.4	02-4543-0000	Spiral Pin M6 x 35		2
6.5	02-4523-0000	Screw #8 x 3/4"		4
7	CAS58G	Standard Brush		1
8	CAS71	Brush Axle		1
9	CAS134	Strengthening Bar Assembly		1
9.1	CAS101	Strengthening Bar		1
9.2	CAS81	Screw M4 x 10		2
10	CAS127	Spray Bar Assembly		1
10.1	CAS54	Spray Bar		1
10.2	04-0286-0000	Cable Clamp		2
10.3	02-3233-0000	#8 x 12 Self Tapping Screw		2

Ref Number	Part Number	Part Description	Context Notes	Quantity
10.4	03-8474-0000	Flow Restrictor		1

20 Jan 2022 CAS16 Base Assembly



Rendered by LeadVenture, Inc.

20 Jan 2022 CAS16 Base Assembly

Ref Number	Part Number	Part Description	Context Notes	Quantity
1	CAS139	Base Cover and Screws		1
1.1	02-3465-0000	Screw M5 x 12		13
1.2	02-3520-0000	Grommet		1
1.3	03-7864-0067	Chassis Cover		1
2	CAS137	Base Assembly		1
2.1	CAS111	Chassis Assembly		1
2.2	02-4524-0000	Grommet		1
2.3	X2020	Foam Strip 1/2"W x 1/4"T		17.7
2.4	00-0630-0111	Screw M6 x 30		1
2.5	00-0600-0502	Washer		3
2.6	00-0600-0511	Spring Washer		2
2.7	00-0600-0701	Nut		2
2.8	X9214	Ground Symbol Label		1
2.9	03-7979-0000	Sealing Pad		1
3	CAS126	Filter And Cover		1
3.1	CAS98	Filter Cover		1
3.2	02-3465-0000	Screw M5 x 12		4
3.3	CAS99	Filter		1
4	CAS138	Rectifier Assembly		1
4.1	04-3409-0000	Rectifier		1
4.2	CAS24	Self Tapper		1

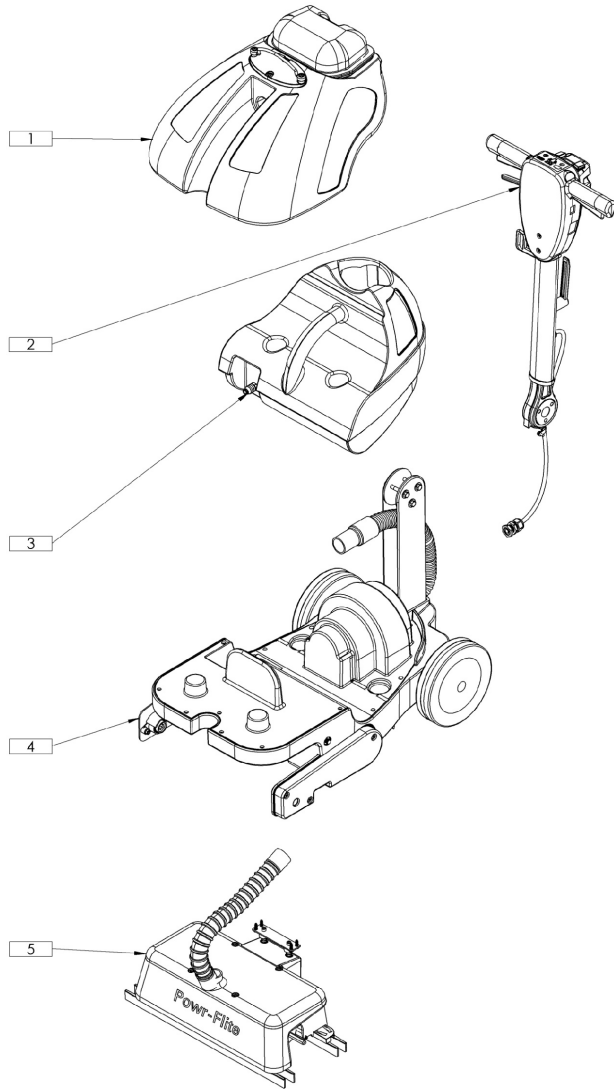
Ref Number	Part Number	Part Description	Context Notes	Quantity
5	CAS136	Brush Motor Assembly		1
5.1	CAS62	Brush Motor		1
5.2	CAS118	Brush Drive Motor Pulley (15 T)		1
5.3	00-0606-0171	Set Screw M6 x 6		1
5.4	CAS124	Screw M5 x 20		3
5.5	00-0410-0011	Screw M4 x 10		1
6	CAS69	Belt Side Motor Plate Assembly		1
6.1	03-7866-0000	Brush Drive Motor Plate		1
6.2	CAS87	Idler Pulley		1
6.3	CAS83	Bearing 626 2RS		2
6.4	00-0600-0502	Washer		1
6.5	CAS103	Washer		1
6.6	02-3245-0000	Circlip		1
6.7	00-0800-0551	Washer		2
6.8	00-0800-0721	Nyloc Nut		2
6.9	CAS93	Brush Sprocket		1
6.10	CAS152	Brush Bearing Kit		1
6.10.1	00-0600-0721	Nyloc Nut		2
6.10.2	90-0624-0000	Housing Sprocket		1
6.10.3	CAS88	Bearing 6003-2RS		1
6.10.4	00-0625-0031	Screw M6 x 25		2

Ref Number	Part Number	Part Description	Context Notes	Quantity
7	CAS140	Pump Assembly		1
7.1	SC328	Pump W/Rubber Mounts		1
7.2	00-0500-0551	Washer		4
7.3	FD66	Screw KN50 x 16		4
7.4	04-3396-0000	Thermal Overload Protection		1
8	CAS135	Wheel Assembly		1
8.1	CAS56	Axle		1
8.2	SC339	8" Wheel		2
8.3	02-0254-0000	Starlock Washer		2
8.4	SC340	Wheel Cap		2
8.5	CAS49	Crinkle Washer		2
8.6	00-1200-0501	Washer		2
9	CAS70	Idle Side Bearing Plate Assembly		1
9.1	03-7867-0067	Brush Bearing Plate		1
9.2	CAS152	Brush Bearing Kit		1
9.2.1	00-0600-0721	Nyloc Nut		2
9.2.2	90-0624-0000	Housing Sprocket		1
9.2.3	CAS88	Bearing 6003-2RS		1
9.2.4	00-0625-0031	Screw M6 x 25		2
9.3	00-0800-0551	Washer		3
9.4	00-0800-0721	Nyloc Nut		3

Ref Number	Part Number	Part Description	Context Notes	Quantity
9.5	03-8007-0000	Bushing		1
10	CAS144	Solution Hose Assembly		1
10.1	SC304	Male Coupling Connector		1
10.2	SC310	1/4" Metal Male Elbow		1
10.3	71817A	Braided Hose 1/4" 250 PSI		1
10.4	SC144	Jubilee Clip		2
10.5	X2165	1 Eared Hose Clamp		1
10.6	71817A	Braided Hose 1/4" 250 PSI		1
10.7	02-4535-0000	Elbow Connector		1
11	04-3940-0000	Circuit Breaker 2.5A, 115V		1
12	CAS143	Recovery Hose Assembly		1
12.1	02-4369-0000	Hose Clamp		1
12.2	CAS119	Vacuum Hose		1
12.3	02-0120-0000	Hose Cuff 38 mm		1
12.4	02-3328-0000	Hose Cuff		1
13	CAS142	Vacuum Motor Assembly		1
13.1	SC347	Screw M6 x 18		2
13.2	03-7872-0000	Vacuum Motor Strap		1
13.3	33086	Vacuum Motor (2 Stage)		1
13.3	X2084-115	2 Stage Vacuum Motor		1
13.4	03-7979-0000	Sealing Pad		1
14	CAS141	Handle Support Assembly		1
14.1	CAS57	Handle Support		1

Ref Number	Part Number	Part Description	Context Notes	Quantity
14.2	00-0800-0551	Washer		10
14.3	00-0800-0721	Nyloc Nut		7
14.4	00-0860-0121	Bolt M8 x 60		3
15	CAS125	Belt Cover Plate		1
15.1	CAS115	Belt Cover		1
15.2	CAS102	Screw M5 x 25		3
16	CAS59	Brush Drive Belt		1

CAS16 Assemblies



Rendered by LeadVenture, Inc.

CAS16 Assemblies

Ref Number	Part Number	Part Description	Context Notes	Quantity
1	CAS131	Recovery Tank and Lid Kit		1
2	05-4531-0000	Handle Assembly		1
3	CAS129	Solution Tank Assembly		1
4	CAS146	Base Assembly Kit		1
5	CAS128	Brush Housing Assembly		1