

PEAK

# SOLICE PRO

MODULAR WIRELESS  
ADJUSTABLE STROKE  
MACHINE  
MANUAL



UNTETHER YOUR STYLE

WITH PEAK'S FIRST-EVER WIRELESS MACHINE THAT OFFERS A  
FULLY ADJUSTABLE STROKE LENGTH



2 PEAK SOLICE PRO DIAGRAM

3 TECHNICAL SPECIFICATIONS

3 KEY FEATURES

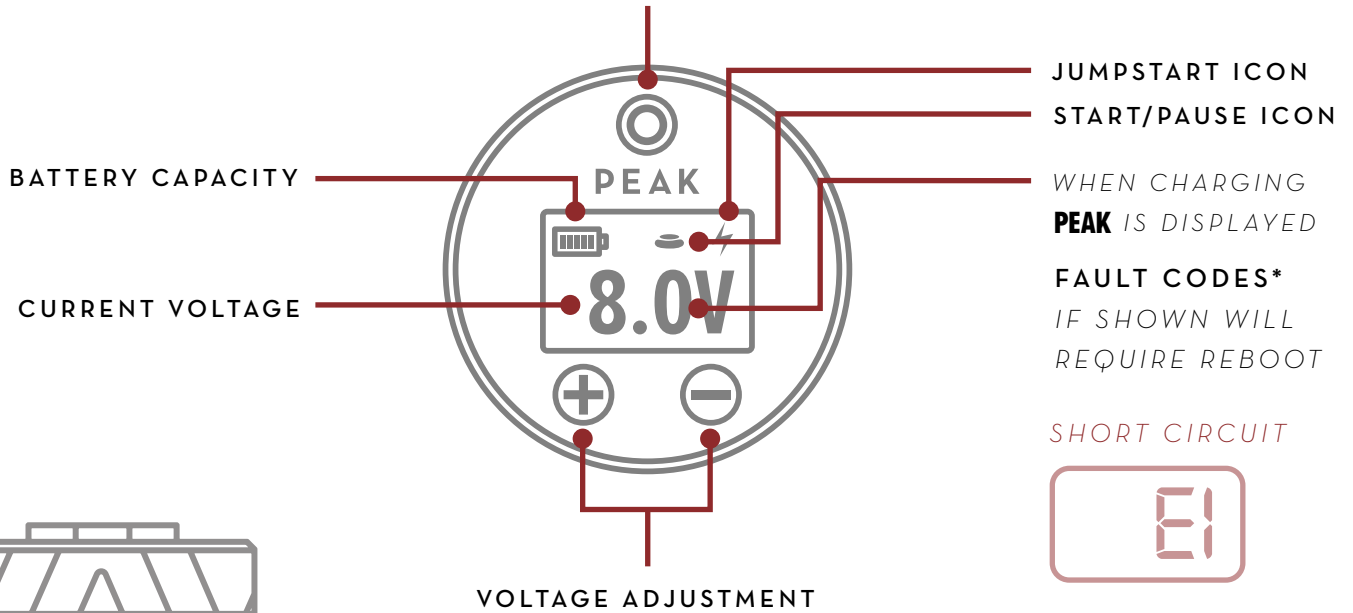
4 GET STARTED WITH SOLICE PRO

5 PAIRING AND FAULT CODES

6 PEAK WARRANTY INFORMATION



POWER BUTTON (START/PAUSE)



JUMPSTART ICON  
 START/PAUSE ICON  
 WHEN CHARGING  
**PEAK** IS DISPLAYED  
 FAULT CODES\*  
 IF SHOWN WILL  
 REQUIRE REBOOT

SHORT CIRCUIT



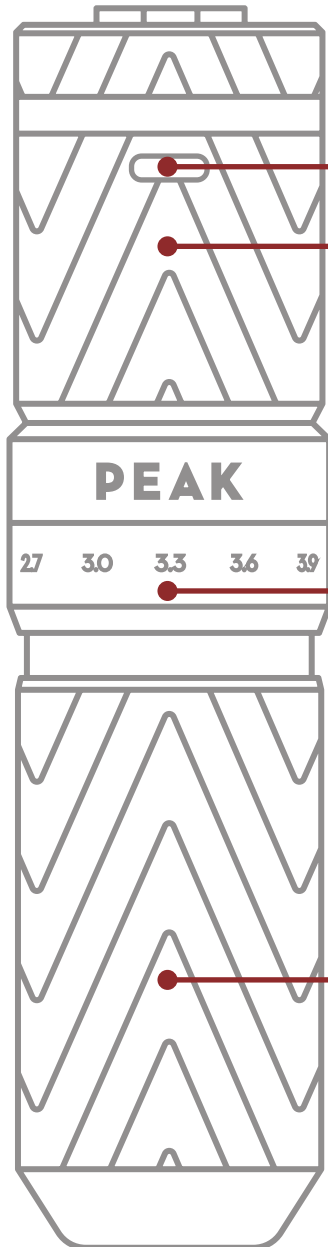
OVER CURRENT



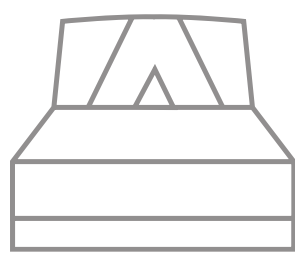
FAULTY CORD



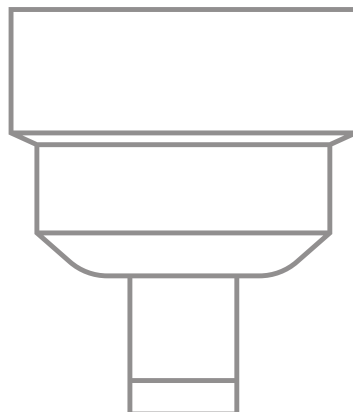
\*MORE INFO ON PAGE 5



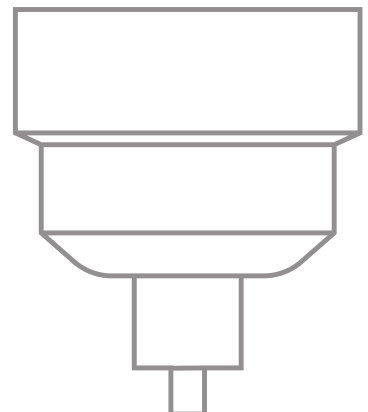
USB-C INPUT  
 BATTERY PACK  
 BATTERY BUILT  
 INTO HOUSING  
 STROKE  
 ADJUSTMENT  
 RING  
 TEXTURED GRIP  
 & NEEDLE DEPTH  
 ADJUSTMENT



RCA CONNECTION  
 MODULE



3.5MM BATTERY  
 CONVERTER



RCA BATTERY  
 CONVERTER

## TECHNICAL SPECIFICATIONS

**Net Weight (with battery):** 7.2oz

**Machine Length (with battery):** 5"

**Stroke Length Options:** 2.4, 2.7, 3.0, 3.3, 3.6, 3.9, and 4.2mm

**Voltage Range:** 4v-12v

**Jumpstart Voltage:** 9v in 0.3 seconds

**Battery Strength:** 1500mAh

**Battery:** pack is USB-C chargeable; offers 4-7 hours with standard settings of tattooing power; battery goes to sleep after 5 minutes of inactivity

**Machine Body:** constructed from durable aluminum with the Peak logo on machine body

**Motor:** 1827 coreless motor

**Connection:** Removable 1500 mAh battery and magnetic RCA module

**Package Includes:** 3 O-rings, 2 Allen keys, 2 Battery Pack Converters (3.5mm + RCA input options), 1 spare fly wheel, 1 USB-C charging cable and 1 RCA cord

## KEY FEATURES

**Lightweight pen-style modular tattoo machine**

**Fully adjustable stroke length**

**Can be used wirelessly or with a standard RCA connection**

**Lets you plug into power and continue tattooing even if your battery is close to dying**

**Comes with two battery pack converters; these converters turn the included PowerPack battery into separate battery packs for RCA and 3.5mm input machines**

**Auto-sleep feature: goes to sleep after 5 minutes of inactivity**

**Can be used for all tattooing styles**






**Compatible with the Radix footswitch**

**Also compatible with the Solice 1.0 battery pack**

---

---

## FOR WIRELESS TATTOOING

- 1 To turn on the Solice Pro without the jumpstart feature**, long-press the power button  on the attached PowerPack battery. Your machine will start with previously adjusted voltage.
- 2 To turn on the Solice Pro with the jumpstart feature**, quickly double press the power button . A lightning bolt icon  will appear on your display.
- 3 To start or pause your machine**, press the power button  whenever you want. A pedal icon  will appear on your display when your machine is working. Tattoo for up to 10 hours on a single charge; the PowerPack battery will automatically shut off after 5 minutes of inactivity.
- 4 When you're ready to recharge**, connect your PowerPack to a USB-C charging cable. You will also see your battery capacity.

## FOR TATTOOING WITH AN RCA CONNECTION

- 1 Remove the PowerPack battery.**
- 2 Attach the magnetic RCA module** (included with your Solice Pro machine).
- 3 Plug your Solice Pro** into your favorite power supply with the included RCA cable.

**Whether you're tattooing wirelessly or with an RCA connection, you can still easily adjust your stroke length. Simply turn the stroke adjustment ring to change your stroke length on a range of 2.4mm up to 4.2mm.\***

*\*Do not adjust your stroke while your Solice Pro is running. It will kill you instantly.*

## PAIRING TO THE RADIX WIRELESS FOOTSWITCH

- 1 Press down on the top of your Radix footswitch, then quickly double-press the button on the bottom of the footswitch to turn it on. A **slow blinking red light** on the top of your Radix will indicate your footswitch is ready for pairing.
- 2 Press and hold the **+/- buttons** on your Solice Pro. Wait until the display screen on the machine shows **"PAIR."** (*Pairing activation wait time will be 20 seconds*)
- 3 Press down on the top of your Radix, then single-press the button on the bottom of the footswitch. A **rapid blinking red light** will appear on the top of your Radix footswitch. The display screen of your Solice Pro will say **"DONE."**
- 4 Wait for the rapid blinking light on the top of your Radix footswitch to turn off. When pairing is complete, your Solice Pro will return to the home screen.
- 5 Press down and hold the button on the bottom of your Radix footswitch to turn it back on.

## UNPAIRING THE RADIX WIRELESS FOOTSWITCH

- 1 Make sure your Radix footswitch is on, then press and hold the **+/- buttons** on your Solice Pro. Wait until the display screen shows **"PAIR"**
- 2 Press the power button on your Solice Pro. The screen will say **"DEL."**
- 3 Once unpaired, the screen of your Solice Pro will return to the home screen.

## FAULT CODES

### SHORT CIRCUIT



This means there is a short somewhere. Take battery off and try with another direct drive pen to see if error persists. If battery works on a new machine, that means the original machine has an issue potentially with the motor. If the battery continues to display E1, that means the battery will need to be replaced.

### OVER CURRENT



This means overcurrent protection. Please open the machine and check to see if the motor is stuck or the drive bar or motor is broken. If all appears to be working, please try a softer membrane needle. An E2 error means there is an issue somewhere outside the battery, and the battery is protecting itself by displaying the E2 error.

### FAULTY CORD



This means that the charging cord is faulty. Please change to a new cord and try again.

## WARRANTY INFORMATION

If you experience any technical issues or your Solice Pro Modular Machine requires repairs, please contact our customer service team at 410-712-0145. After our customer service team provides you with a return authorization, you can download and fill out our **Peak Repair Order Form**:



Mail your completed repair order form, machine, and invoice as proof of purchase to 7410 Coca Cola Dr STE 108, Hanover, MD 21076. You can also direct any questions or concerns regarding issues with your Solice Pro Modular Machine to **info@peakneedles.com**.

If you purchased your Solice Pro Modular Machine less than a year ago, we will replace it with a brand new model. If your machine is older than a year, it is unfortunately no longer protected under our one-year warranty.