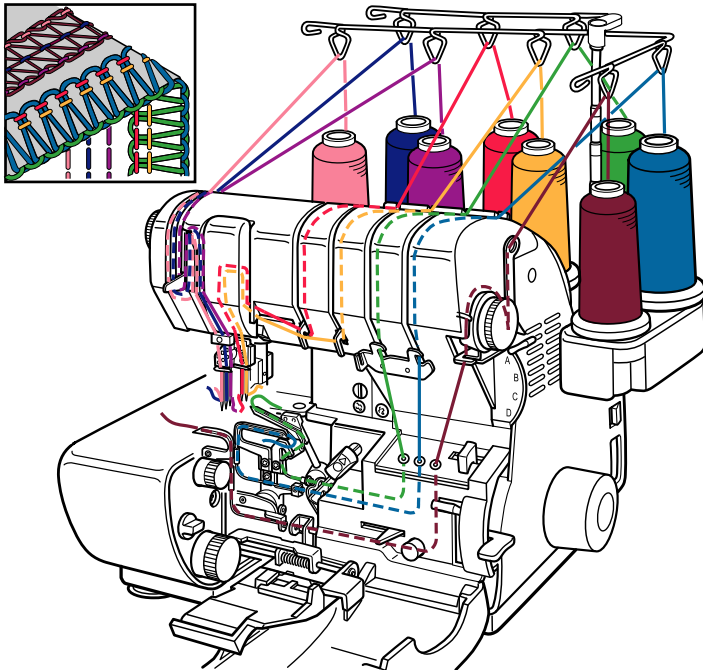


8-Thread

Triple Cover + 4-Thread Overlock

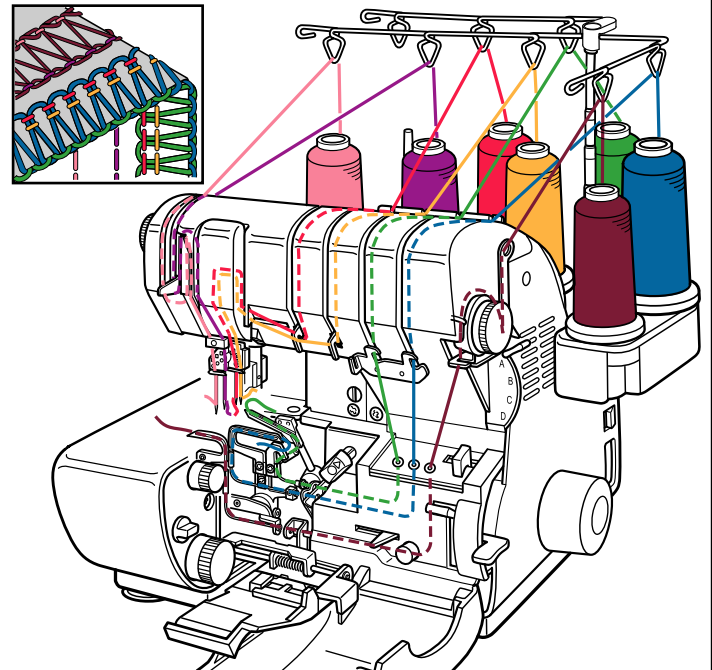
	Length 3	Width 7.5	Stitch Selector A	Chain Needle Tension 4-6	Chain Looper Tension COVER
Upper Looper Selector down up	Blade Position up	Knife Cover	Subsidiary Looper		



7-Thread

Cover Stitch Wide + 4-Thread Overlock

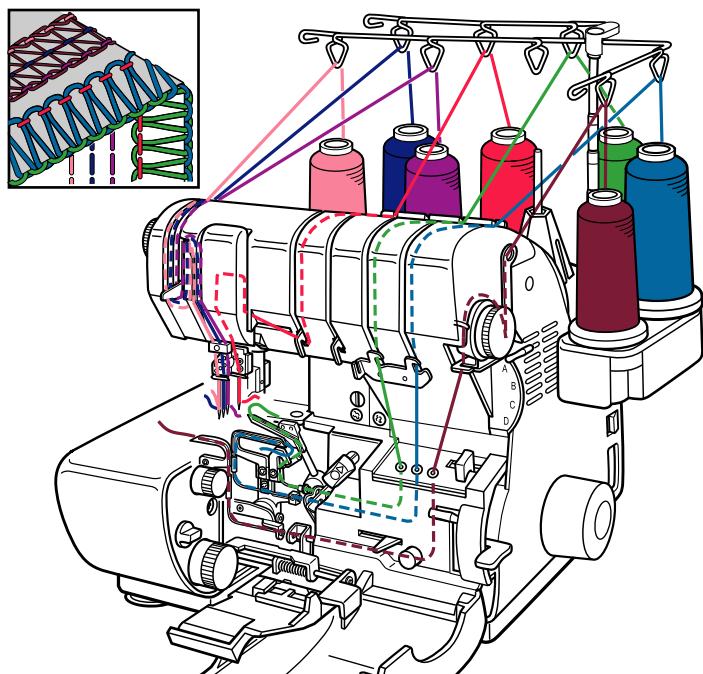
	Length 3	Width 7.5	Stitch Selector A	Chain Needle Tension 4-6	Chain Looper Tension COVER
Upper Looper Selector down up	Blade Position up	Knife Cover	Subsidiary Looper		



7-Thread

Triple Cover + 3-Thread Overlock Wide

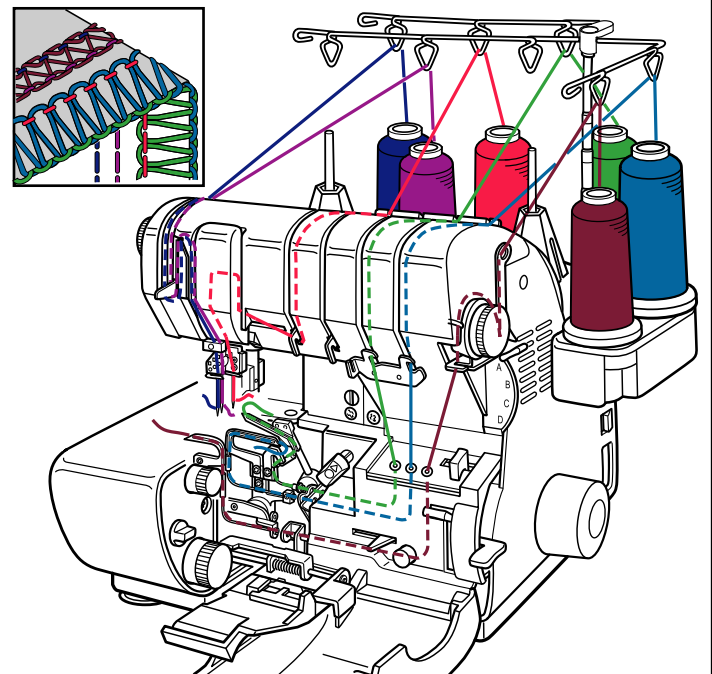
	Length 3	Width 7.5	Stitch Selector A	Chain Needle Tension 4-6	Chain Looper Tension COVER
Upper Looper Selector down up	Blade Position up	Knife Cover	Subsidiary Looper		



6-Thread

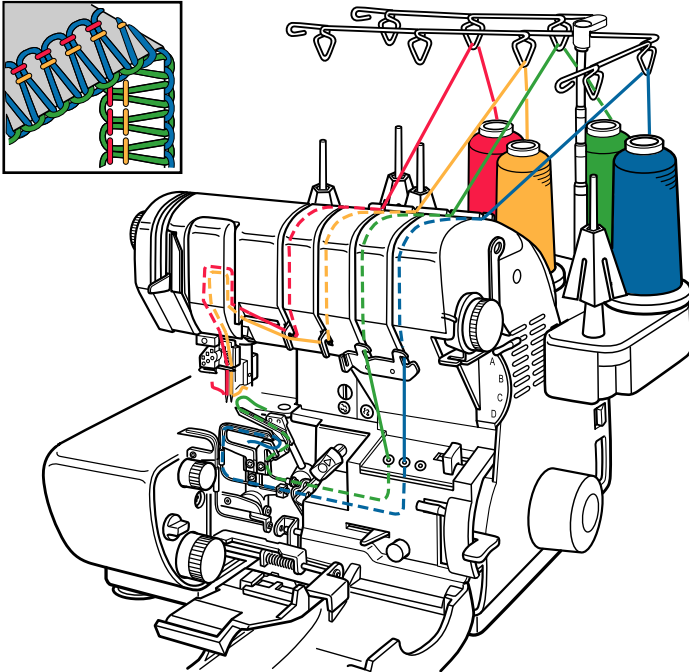
Cover Narrow Right + 3-Thread Overlock Wide

	Length 3	Width 7.5	Stitch Selector A	Chain Needle Tension 4-6	Chain Looper Tension COVER
Upper Looper Selector down up	Blade Position up	Knife Cover	Subsidiary Looper		



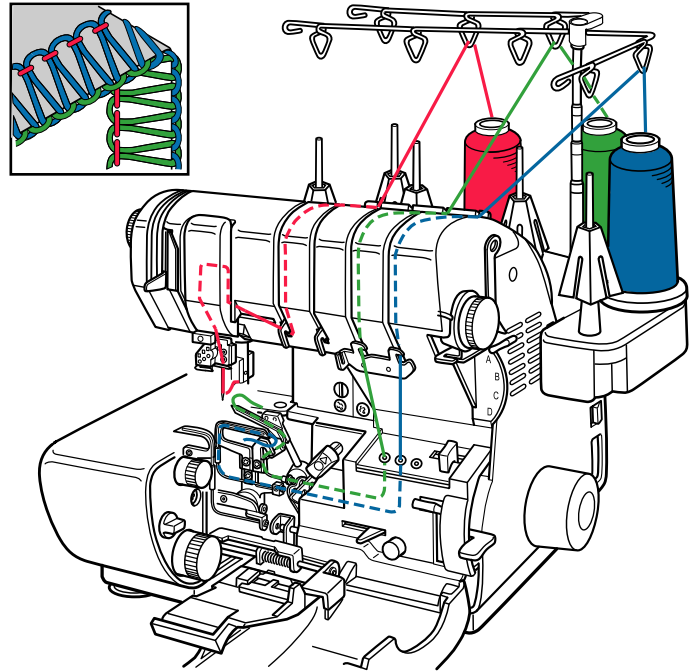
4-Thread Overlock

C1	C2	C3	O1	O2	Length	Width	Stitch Selector	Chain Needle Tension	Chain Looper Tension
					2.5-3.5	6.0-7.5	A	—	—
Upper Looper Selector		Blade Position		Knife Cover		Subsidiary Looper			
down		up							



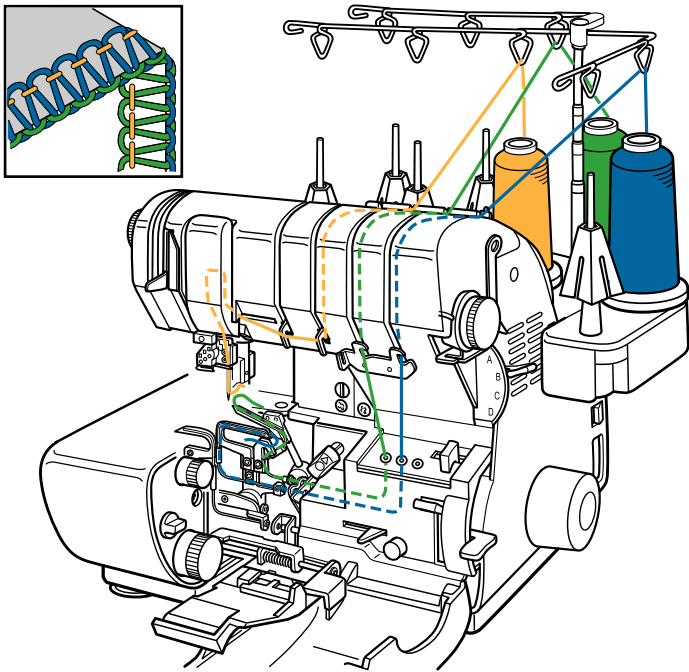
3-Thread Overlock-Wide

C1	C2	C3	O1	O2	Length	Width	Stitch Selector	Chain Needle Tension	Chain Looper Tension
					2-3	7.5	A	—	—
Upper Looper Selector		Blade Position		Knife Cover		Subsidiary Looper			
down		up							



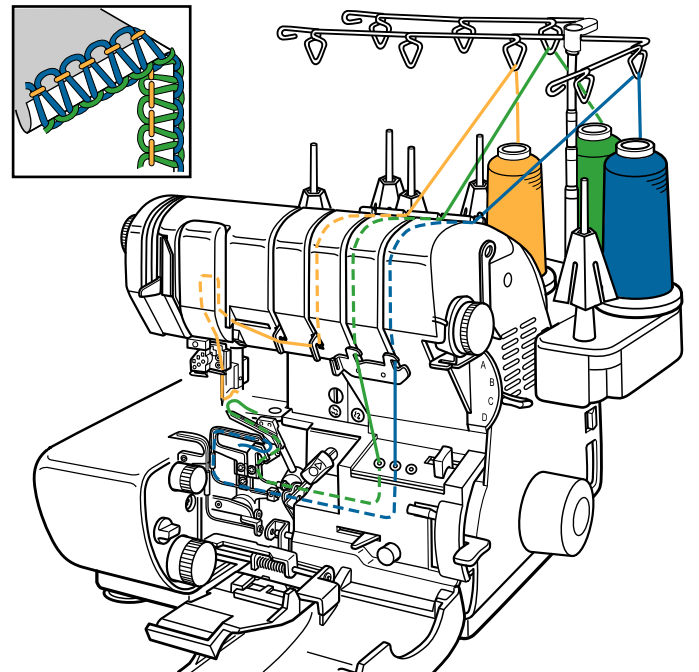
3-Thread Overlock-Narrow

C1	C2	C3	O1	O2	Length	Width	Stitch Selector	Chain Needle Tension	Chain Looper Tension
					2.5-3.5	3.0	B	—	—
Upper Looper Selector		Blade Position		Knife Cover		Subsidiary Looper			
down		up							

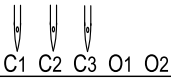
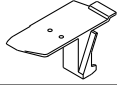


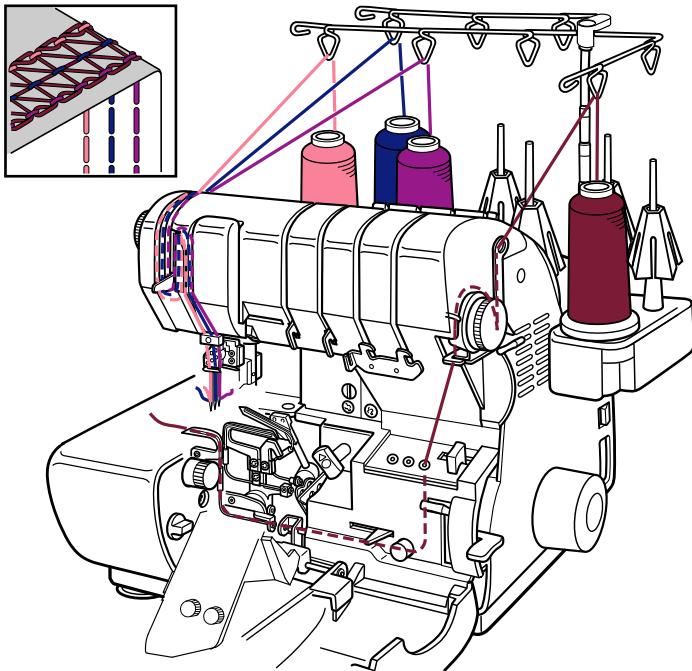
3-Thread Overlock-Narrow Hem

C1	C2	C3	O1	O2	Length	Width	Stitch Selector	Chain Needle Tension	Chain Looper Tension
					1.0-1.5R	3.0	C	—	—
Upper Looper Selector		Blade Position		Knife Cover		Subsidiary Looper			
down		up							

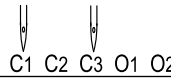
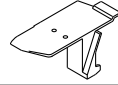


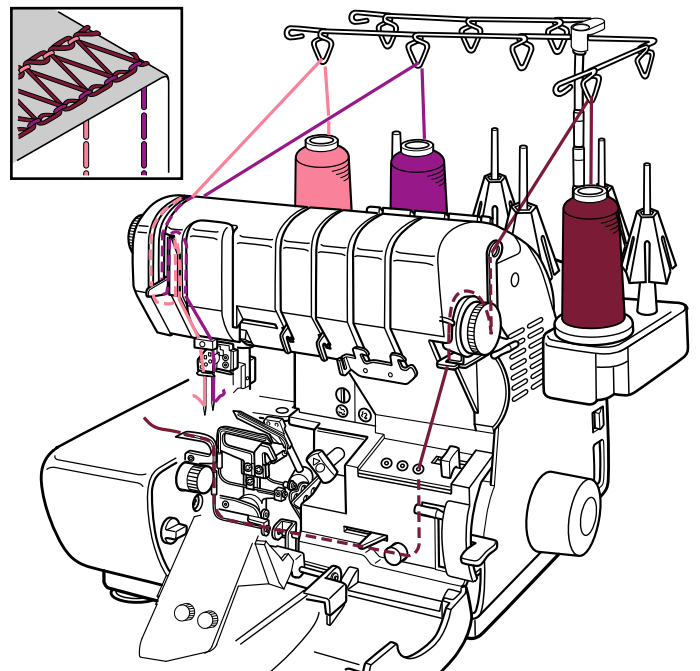
Triple Cover Stitch

	Length 3	Width M	Stitch Selector —	Chain Needle Tension 4-6	Chain Looper Tension COVER
Upper Looper Selector down up	Blade Position LOCK	Sewing Table 	Subsidiary Looper —		

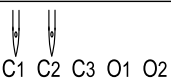
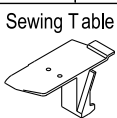


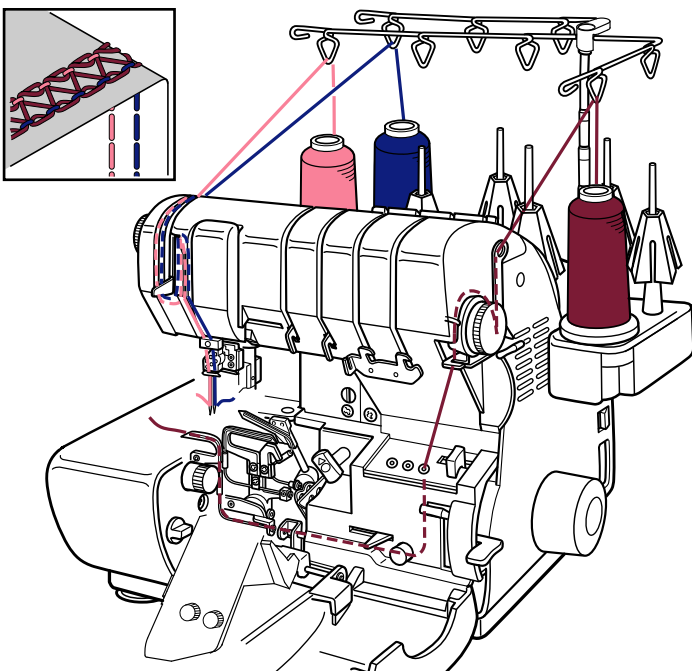
Cover Stitch-Wide

	Length 3	Width M	Stitch Selector —	Chain Needle Tension 4-6	Chain Looper Tension COVER
Upper Looper Selector down up	Blade Position LOCK	Sewing Table 	Subsidiary Looper —		

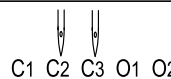
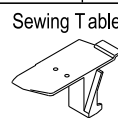


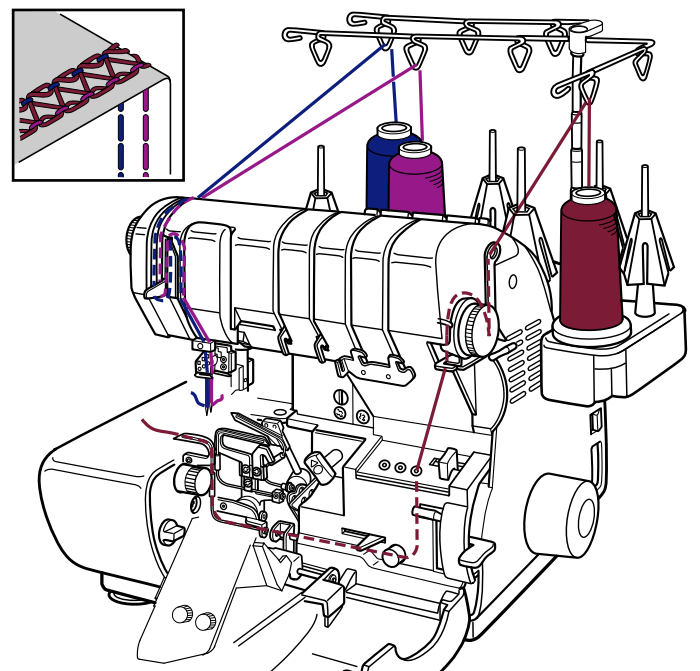
Cover Stitch-Narrow Left

	Length 3	Width M	Stitch Selector —	Chain Needle Tension 4-6	Chain Looper Tension COVER
Upper Looper Selector down up	Blade Position LOCK	Sewing Table 	Subsidiary Looper —		



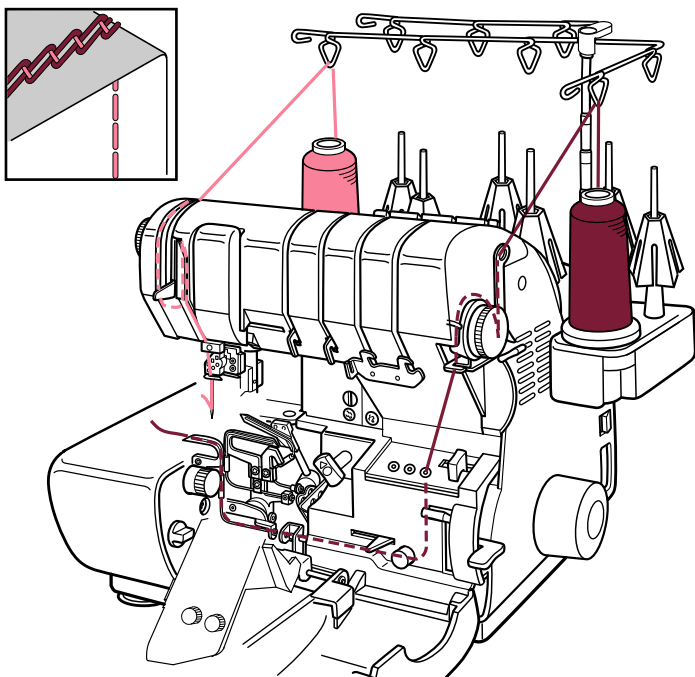
Cover Stitch-Narrow Right

	Length 3	Width M	Stitch Selector —	Chain Needle Tension 4-6	Chain Looper Tension COVER
Upper Looper Selector down up	Blade Position LOCK	Sewing Table 	Subsidiary Looper —		



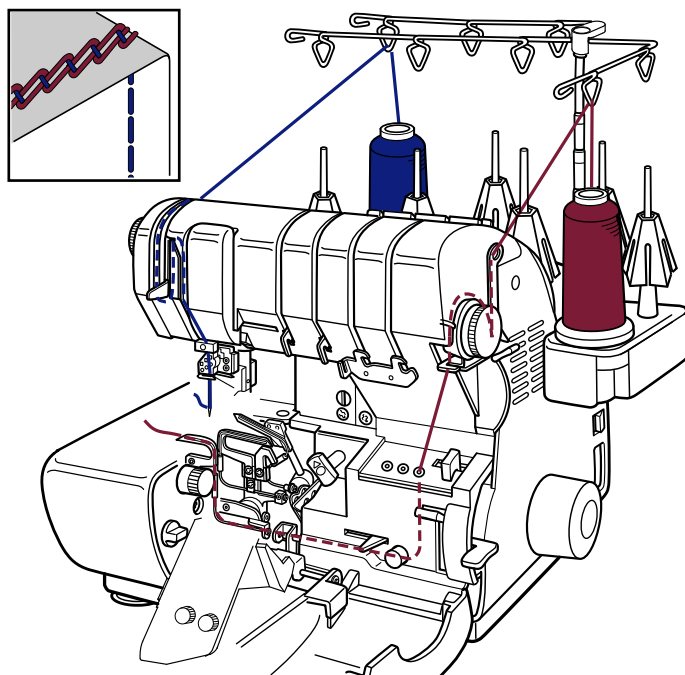
Chain Stitch-Left Needle

	Length 3	Width M	Stitch Selector —	Chain Needle Tension 4-6	Chain Looper Tension CHAIN
Upper Looper Selector down up	Blade Position LOCK	Sewing Table 		Subsidiary Looper —	



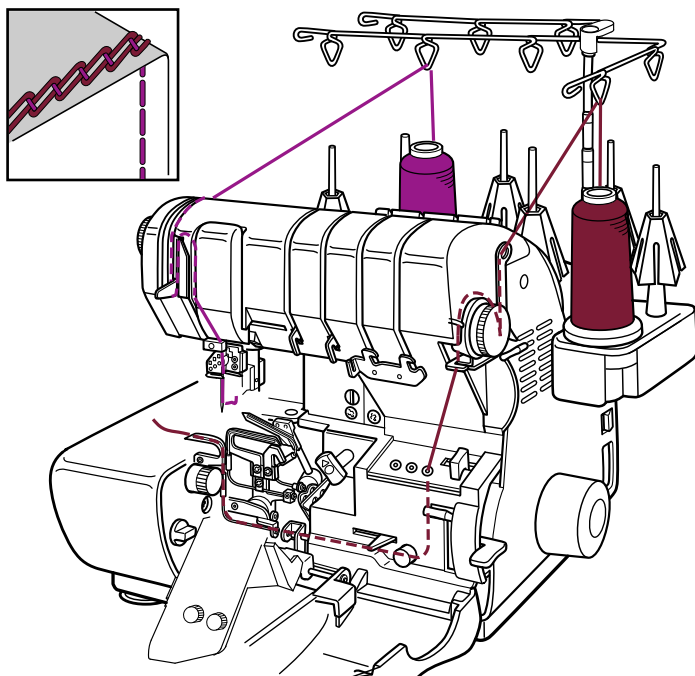
Chain Stitch-Center Needle

	Length 3	Width M	Stitch Selector —	Chain Needle Tension 4-6	Chain Looper Tension CHAIN
Upper Looper Selector down up	Blade Position LOCK	Sewing Table 	Subsidiary Looper —		



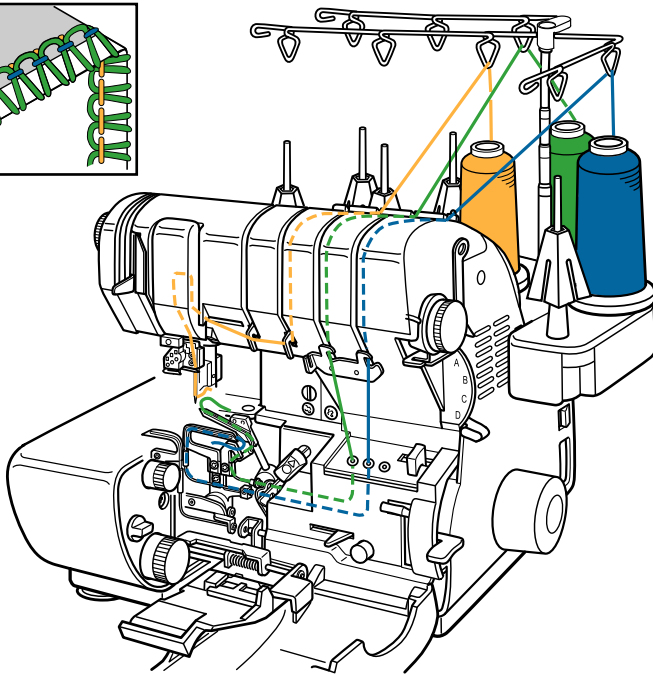
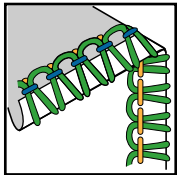
Chain Stitch-Right Needle

	Length 3	Width M	Stitch Selector —	Chain Needle Tension 4-6	Chain Looper Tension CHAIN
Upper Looper Selector down up	Blade Position LOCK	Sewing Table 		Subsidiary Looper —	



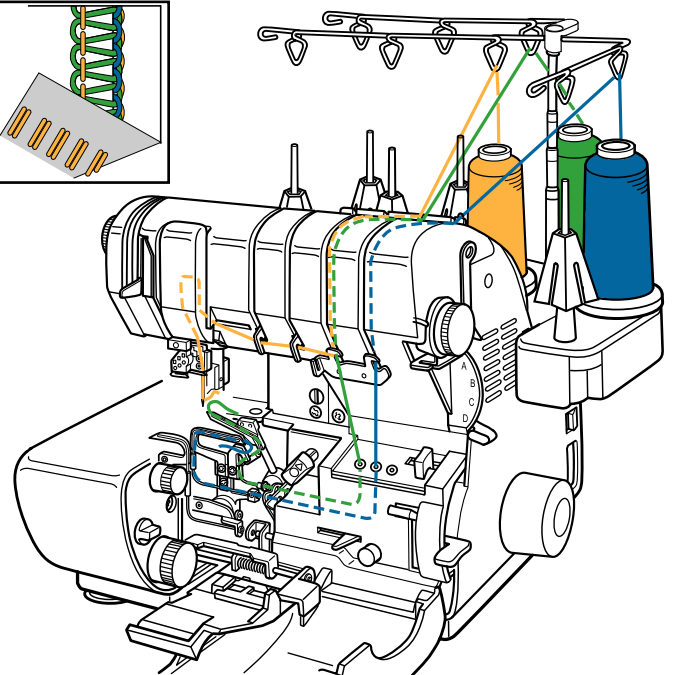
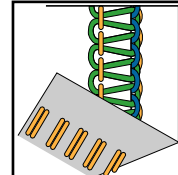
3-Thread Overlock-Rolled Edge

C1 C2 C3 O1 O2	Length 1.5R	Width 3.5	Stitch Selector D	Chain Needle Tension —	Chain Looper Tension —
Upper Looper Selector down up	Blade Position up	Knife Cover	Subsidiary Looper		



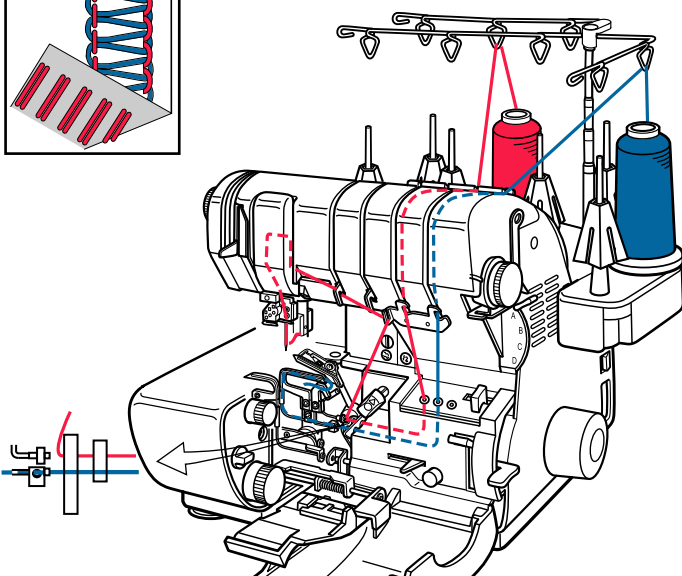
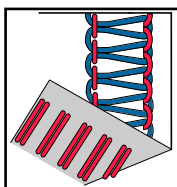
3-Thread Flatlock-Narrow

C1 C2 C3 O1 O2	Length 2-3	Width 3.0-5.0	Stitch Selector D	Chain Needle Tension —	Chain Looper Tension —
Upper Looper Selector down up	Blade Position up	Knife Cover	Subsidiary Looper		



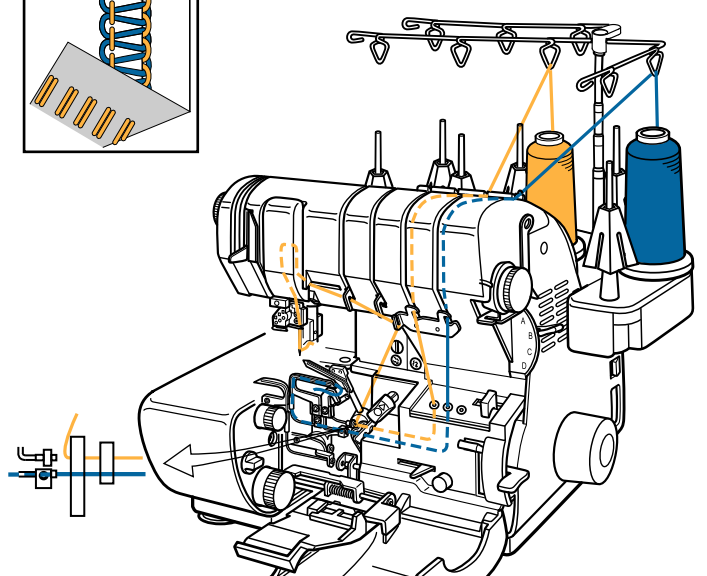
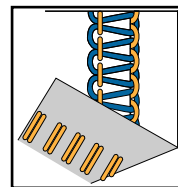
2-Thread Flatlock-Wide

C1 C2 C3 O1 O2	Length 2-2.5	Width 7.5	Stitch Selector A	Chain Needle Tension —	Chain Looper Tension —
Upper Looper Selector down up	Blade Position LOCK	Knife Cover	Subsidiary Looper		



2-Thread Flatlock-Narrow

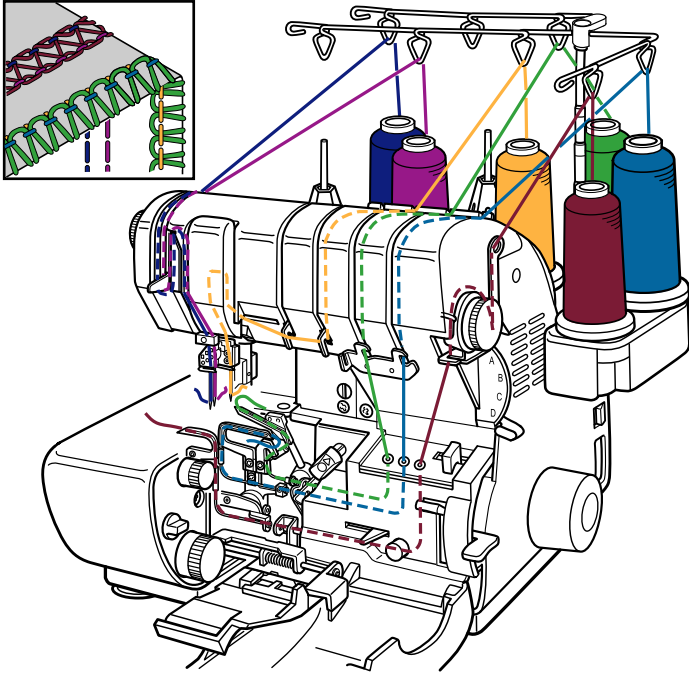
C1 C2 C3 O1 O2	Length 3-3.5	Width 3.5	Stitch Selector B	Chain Needle Tension —	Chain Looper Tension —
Upper Looper Selector down up	Blade Position up	Knife Cover	Subsidiary Looper		



6-Thread

Cover Narrow Right + 3-Thread Rolled Edge

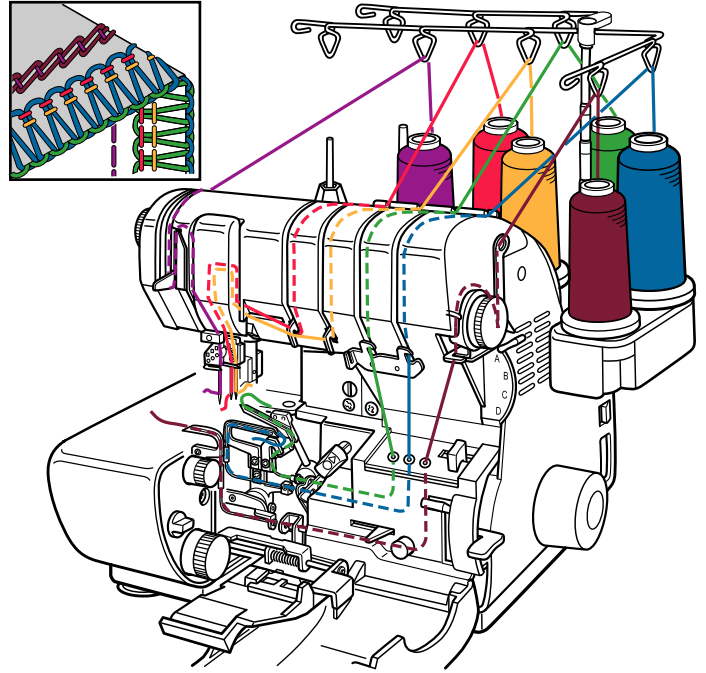
C1 C2 C3 O1 O2	Length 2R	Width 3.5	Stitch Selector D	Chain Needle Tension 4-6	Chain Looper Tension COVER
Upper Looper Selector down up	Blade Position up	Knife Cover	Subsidiary Looper		



6-Thread

Chain Stitch + 4-Thread Overlock

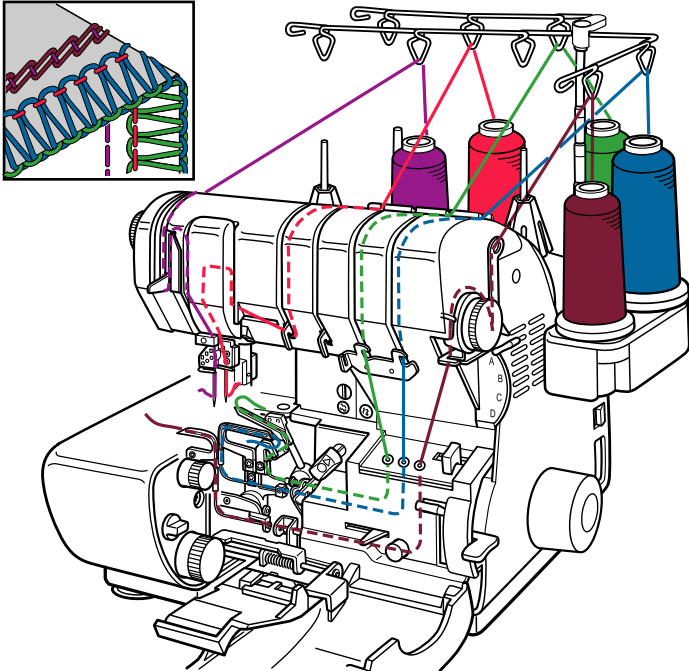
C1 C2 C3 O1 O2	Length 3	Width 7.5	Stitch Selector A	Chain Needle Tension 4-6	Chain Looper Tension CHAIN
Upper Looper Selector down up	Blade Position up	Knife Cover	Subsidiary Looper		



5-Thread

Chain Stitch + 3-Thread Overlock Wide

C1 C2 C3 O1 O2	Length 3	Width 7.5	Stitch Selector A	Chain Needle Tension 4-6	Chain Looper Tension CHAIN
Upper Looper Selector down up	Blade Position up	Knife Cover	Subsidiary Looper		



4-Thread

Chain Stitch + 2-Thread Overlock Narrow

C1 C2 C3 O1 O2	Length 3	Width 3.5	Stitch Selector B	Chain Needle Tension 4-6	Chain Looper Tension CHAIN
Upper Looper Selector down up	Blade Position up	Knife Cover	Subsidiary Looper		

