

STA-RITE®
CSM240VF
CAST IRON VORTEX SUBMERSIBLE DRAINAGE PUMP

10mm FREE PASSAGE



CSM240VF


FEATURES

- 10mm free passage.
- Vortex impeller.
- Carbon ceramic mechanical seal.
- Auto cut out switch.
- Thermal overload protection.
- Float switch.
- Moisture sealed cable inlet.
- Max head -10m.
- Max flow - 250lpm.

APPLICATIONS

- Disposal of non contaminated rain, waste and ground water such as from a pit.
- Dewatering (clean water).
- Water treatment circulation.
- Grey water.
- Commercial ponds and fountains.

PUMP CONSTRUCTION MATERIALS

Vertical, single-stage, submersible with 10mm free passage. Cast iron vortex impeller, casing and feet with 2" BSP (female) discharge port. 304SS motor casing.

- Pump casing:** Cast iron.
- Impeller:** Cast iron.
- Motor shaft:** 410SS.
- Mechanical seal:** Carbon ceramic mechanical seal with oil chamber and primary lip seal.
- IP Rating:** IP68.

OPERATING CONDITIONS

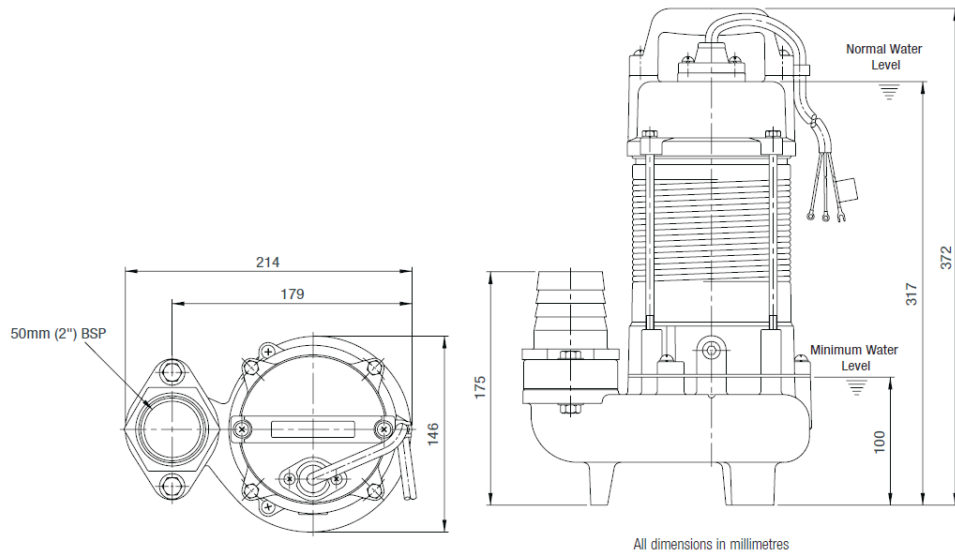
Drainage pump for the disposal of faecal free waste water, including rainwater, non contaminated waste and ground water containing particles up to 10mm. Install pump vertically (hose connection possible).

ELECTRICAL DATA

Type	Type of current	Voltage ± 10%	Frequency Hz	Motor rating kW	RPM min	Current Ampere	Motor protection	Insulation class	Cable quality	Cable length
				P1						
CSM240VF	1-phase	230	50	0.40	2850	2.7 A	Thermal	B	H07RN-F	10 m

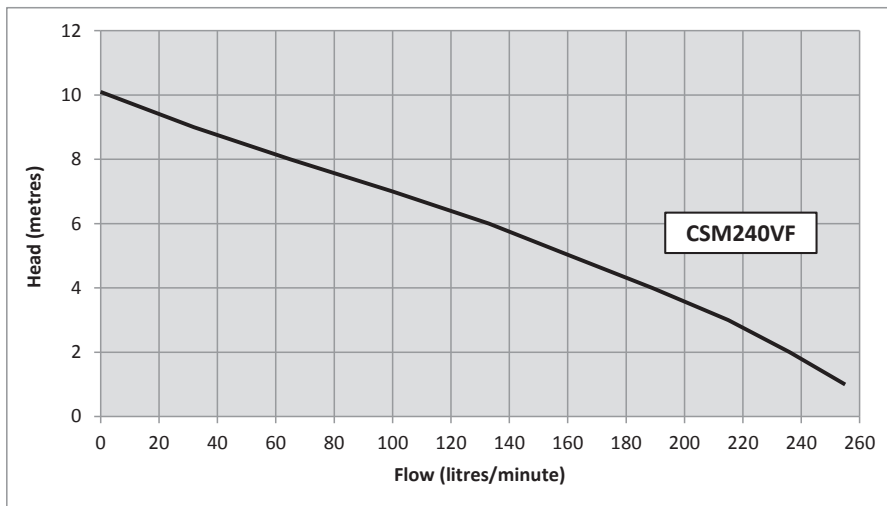
DIMENSIONS

Type	Maximum L x W x H	Weight approx.	Discharge branch	Free passage	Carton L x W x H	Packed weight	Continuous operating temperature range	Intermittent temperature maximum
CSM240V	146 x 214 x 372 mm	16 kg	2" BSP (female)	10 mm	245 x 200 x 400 mm	16kg	1°C - 40°C	50°C



PERFORMANCE

Type	P/No	Delivery head [m]	1	2	3	4	5	6	7	8	9
CSM240VF	CSM240VF	Flow rate capacity [lpm]	255	236	215	189	161	133	100	65	32



Head Office Pentair AU/NZ: 1-21 Monash Drive, Dandenong South, VIC 3175, Australia. www.pentair.com.au

All Pentair trademarks and logos are owned by Pentair, Ltd. All other brand or product names are trademarks or registered marks of their respective owners.

Because we are continuously improving our products and services, Pentair reserves the right to change specifications without prior notice.

Pentair is an equal opportunity employer.

ABN 27 004 856 204 © 2012 Pentair, Ltd. All Rights Reserved.

© 2015 Pentair