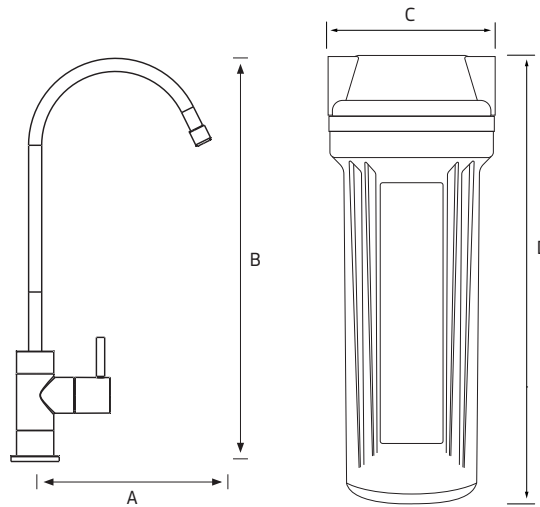




+SIB1 depicted (no pressure limiting valve). To order with pressure limiting valve, order code SIB1-PL.



FAUCET

A	B
122 mm	292 mm

HOUSING

C	D
170 mm	330 mm



**GENERAL INFO**

**DESIGNED FOR MAINS / TOWN WATER**

**Undersink Filter System with Long Reach Faucet**

The Puretec SIB1 Series provides clear, great tasting water, removing chlorine, harmful chemicals, taste, odour, sediment, Giardia and Cryptosporidium cysts.

**SPECIFICATIONS**

Model Number:	<b>SIB1</b>	<b>SIB1-PL</b>
Pressure Limiting Valve:	<b>Not Included</b>	<b>Included</b>
Replacement Cartridge:	<b>EC951</b>	<b>EC951</b>
Min/Max Flow:	<b>0 - 14 Lpm</b>	<b>0 - 14 Lpm</b>
Min/Max Temperature:	<b>0 - 30 °C</b>	<b>0 - 30 °C</b>
Min/Max Pressure:	<b>100 - 500~ kPa</b>	<b>100 - 500~ kPa</b>
Micron Rating:	<b>0.5 micron*</b>	<b>0.5 micron*</b>
Connection:		
Hose:	<b>¼" Quick Connect</b>	<b>¼" Quick Connect</b>
Tee:	<b>½" BSP (15 mm)</b>	<b>½" BSP (15 mm)</b>
Tap Hole:	<b>12.5 mm</b>	<b>12.5 mm</b>
Warranty:	<b>1 year^</b>	<b>1 year^</b>

**FEATURES & BENEFITS**

- Compact design saves space.
- Do-it-yourself cartridge change out.
- Removes sediment, taste, odour, chlorine, giardia, cryptosporidium and heavy metals.
- Ideal to use in town and rural water supplies.
- 1 year warranty^.

*Important Note: Use only genuine Puretec replacement cartridge. ^1 year warranty is 1 year parts and labour. Excludes cartridges. \*Micron Rating is nominal. Protect from freezing. ~Where line pressure exceeds 500 kPa, an approved pressure limiting device must be installed to comply with Australian & New Zealand Plumbing Standards. (Ref. AS/NZS 3500.1:2021, Clause 3.3.4).*

For more information contact your local stockist or visit us at [puretecgroupp.com](http://puretecgroupp.com)  
Australia **1300 140 140** | New Zealand **0800 130 140**