

GENERAL INFO

HIGH CAPACITY FILTER HOUSING

MaxiPlus™ Filter Housings

The Puretec MaxiPlus™ filter housings offer the versatility to meet all of your large-capacity filtration needs, including high-flow and heavy sediment applications. The extra large housings allows for greater cartridge capacity, reducing the number of vessels required for high flow-rate applications. Sumps are constructed of durable reinforced polypropylene and are available in both 10" and 20" lengths.

The Puretec MaxiPlus™ housings are compatible with a broad range of chemicals. They accept a wide variety of 4.5" diameter cartridges in either 10" or 20" lengths.

FEATURES & BENEFITS

- High capacity filter housings for flow rates up to 180 Lpm
- Features double O-ring seals for maximum durability
- Ribbed design provides a robust housing for years of troublefree service
- Compact and economical, ideal for duplex systems
- Wide variety of cartridge replacement available
- Available in 10", 20" heights and connection sizes of 1", 1½".
- Internal and external use to suit different applications
- 10 Year Warranty[^]



MP100

10", 1" connection
MaxiPlus Housing

MP400

20", 1½" connection
MaxiPlus Housing

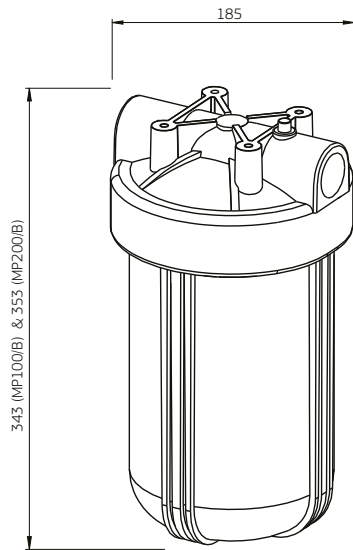
HOUSING SPECIFICATIONS AND PERFORMANCE DATA

Model Numbers	Size inches	Connection	Description	Flow (Lpm)	Min/Max Pressure	Dimensions
MP100	10"	1" (25 mm)	Filter housing with grey bowl	80	0 - 875* kPa	343 mm x 185 mm
MP100B	10"	1" (25 mm)	Filter housing kit with grey bowl <i>Includes spanner wrench and mounting bracket</i>	80	0 - 875* kPa	343 mm x 185 mm
MP200B	10"	1½" (40 mm)	Filter housing kit with grey bowl <i>Includes spanner wrench and mounting bracket</i>	85	0 - 875* kPa	353 mm x 185 mm
MP200	10"	1½" (40 mm)	Filter housing with grey bowl	85	0 - 875* kPa	353 mm x 185 mm
MP300B	20"	1" (25 mm)	Filter housing kit with grey bowl <i>Includes spanner wrench and mounting bracket</i>	160	0 - 875* kPa	604 mm x 185 mm
MP300	20"	1" (25 mm)	Filter housing with grey bowl	160	0 - 875* kPa	604 mm x 185 mm
MP400	20"	1½" (40 mm)	Filter housing with grey bowl	180	0 - 875* kPa	613 mm x 185 mm
MP400B	20"	1½" (40 mm)	Filter housing kit with grey bowl <i>Includes spanner wrench and mounting bracket</i>	180	0 - 875* kPa	613 mm x 185 mm

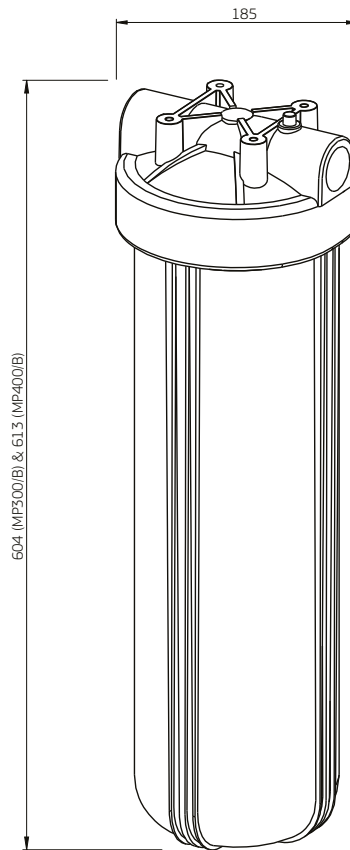
[^]10 year warranty is 1 year parts and labour, plus 9 years parts only. Pressure + Temperature ratings mean housings must be protected from extremes above and below. This includes freezing, vacuum, overnight pressure creep + water hammer. *Where line pressure exceeds 500 kPa, an approved pressure limiting device must be installed to comply with Australian & New Zealand Plumbing Standards. (Ref. AS/NZS 3500.1:2021, Clause 3.3.4).

For more information contact your local stockist or visit us at puretecgroupp.com
Australia **1300 140 140** | New Zealand **0800 130 140**

PRODUCT DIMENSIONS Measurements in Millimeters (mm)

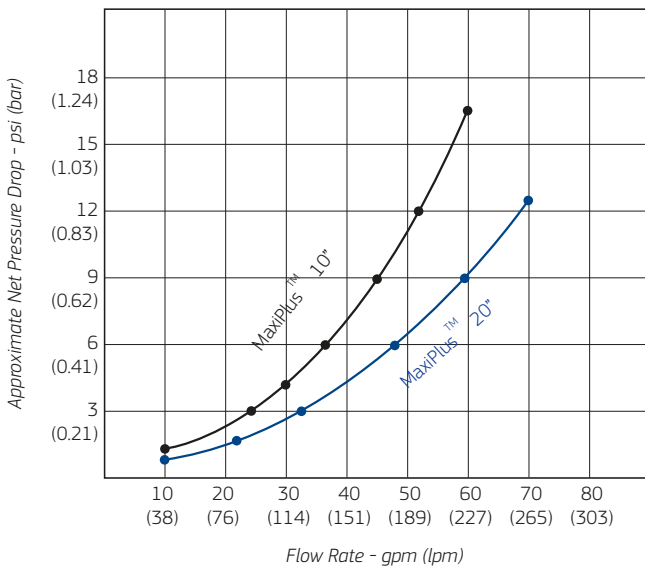


MP 10" HOUSINGS



MP 20" HOUSINGS

PRESSURE / FLOW RATE CHART



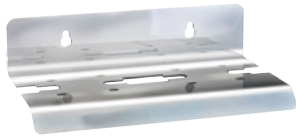
MATERIALS OF CONSTRUCTION

- Housing: Polypropylene
- Cap: Polypropylene (HFPP)
- Button Assembly: 300-series Stainless Steel, EPDM and Polypropylene
- O-Ring: Buna-N
- Maximum Temperature: 52°C
- Maximum Pressure: 875* kPa
- Colour: Black head / Grey bowl

HOUSING SPARE PARTS



MPBK-G



MPBK2-G



MPOR-G



MPSP-G



CS02

Ordering Code	Description
MPBK-G	Single housing bracket, suits MP series housings
MPBK2-G	Twin housing bracket, suits 2x MP series housings
MPOR-G	O-rings, suits Grey MaxiPlus™ series housings (2x O-rings included)
MPOR-SQ	Square seal, suits old blue style MaxiPlus™ series housings
MPSP-G	Spanner, suits MP series housings
CS02	Joins two MaxiPlus 4.5" diameter cartridges



WaterMark
AS/NZS 3497
Licence No. WM 74617
Australian Certification Services

- Note:**
1. No claims can be made based on the specifications and images in this document. The design, technology, colours, features and prices are subject to change.
 2. This document and all its contents are copyright protected. All rights are reserved, particularly alteration, translation and reproduction using electronic systems.
 3. ^Warranties in this document cover parts for the period stated and include cover for parts and labour for the first year where applicable, subject to approval. Our Water Filtration Specialists can provide you with advice to suit your needs.