

GENERAL INFO

DESIGNED FOR RAINWATER SUPPLIES

Undersink Water Filter System and UV All-in-One Unit

The Hybrid Mini Series uses Radfire™ ultraviolet technology to kill 99.9% of bacteria. It is eco-friendly and does not use chemicals. This system can be connected quickly and easily to any mixer tap. It turns your rainwater into pure, safe, delicious and healthy drinking water!

FEATURES & BENEFITS

- Connects quickly and easily to any mixer tap.
- Turns your rainwater into pure, safe, delicious and healthy drinking water!
- Specifically designed to kill harmful micro-organisms in untreated water supplies.
- Uses Puretec Radfire™ ultraviolet technology to kill 99.9% of bacteria - eco-friendly and does not use chemicals.
- Moulded carbon cartridge removes bad tastes and odour such as chlorine, whilst Silver Plus Technology prevents bacterial growth.
- Maintenance is simple and can be completed in minutes - without tools. It's as easy as replacing the UV lamp once a year and periodically cleaning the sleeve.



SPECIFICATIONS

Ordering Code	HYBRID-M1
Replacement parts and cartridges:	
Stage 1 filtration:	PL051
Stage 2 filtration:	MC011-S
Micron rating:	1 micron [~]
UV lamp, 46W	RL2
Quartz sleeve:	RQS2
Power supply:	220-240 VAC / 50 Hz
Maximum flow rate:	8 litres per minute
Water temperature range:	0-52°C (protect from freezing)
Supply pressure:	200 - 875* kPa
Connection:	½" BSP [15mm]
Warranty:	3 years [^]

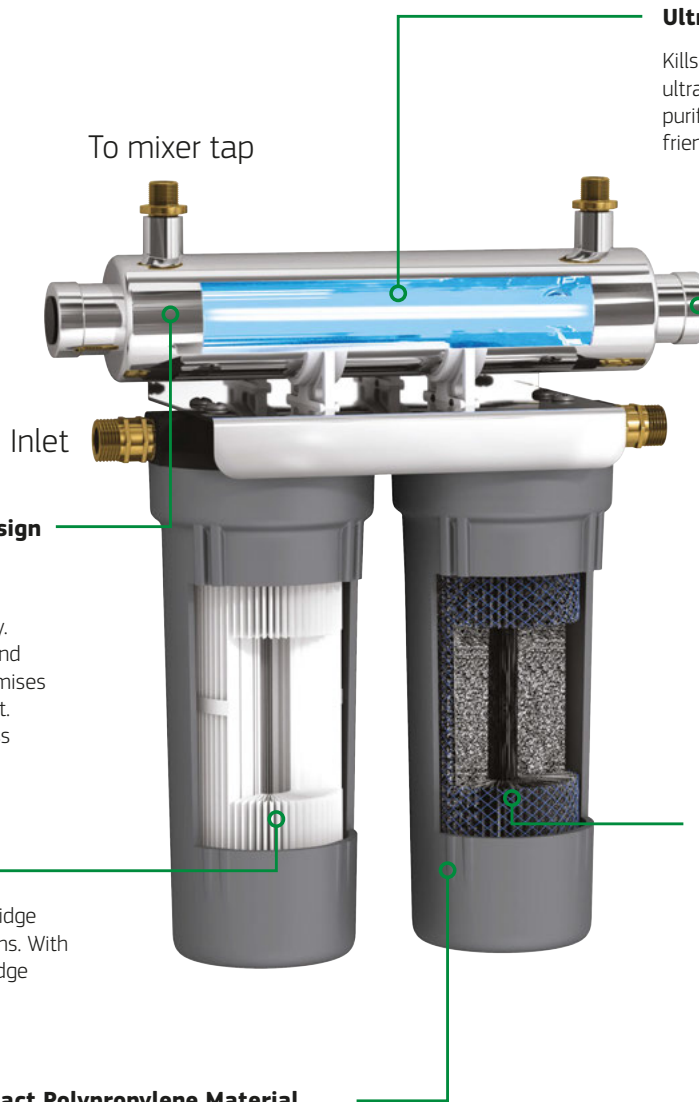
Important Note: Use only genuine Puretec replacement cartridge. Flow rate @30mJ/cm² is the industry standard for drinking water. [~]Micron rating is nominal. * Where line pressure exceeds 500 kPa, an approved pressure limiting device must be installed to comply with Australian & New Zealand Plumbing Standards. (Ref. AS/NZS 3500.1:2021, Clause 3.3.4). Puretec Hybrid UV systems are designed for common rainwater. The effectiveness of a UV system is dependent on the clarity of water present. If you are unsure of the clarity of your water Puretec can arrange a UVT test to verify that no further filtration is required before the UV. Contact Puretec on 1300 140 140 (AU) or 0800 130 140 (NZ) for further information on this. [^]3 year warranty is 1 year parts and labour plus 2 years parts only. Excludes consumables.

DIAGRAM & FILTRATION TECHNOLOGY

Transform your existing mixer tap into a bacteria-eliminating filter tap!

Connects quickly & easily to any mixer tap!

Highly effective and efficient at removing dirt, rust, sediment, bad taste and odour in your water, providing good general purpose filtration.



Ultraviolet Protection

Kills 99.9% of bacteria with Radfire™ ultraviolet technology, a natural purification process that's completely eco-friendly and chemical-free.

Quick Lamp Change

Retainer cap enables effortless lamp replacement. No tools are required.

A Unique Water Chamber Design

Radfire's unique water chamber optimises hydraulic performance and increases disinfection efficiency. Designed by computer simulation and validated, the water chamber maximises exposure to the penetrating UV light. Chamber and hardware are stainless steel for dependable long life.

Trouble-free Maintenance

Maintenance is simple and can be completed in minutes - without tools. It's as easy as replacing the UV lamp once a year and periodically cleaning the sleeve.

Sediment Filtration

A washable, pleated sediment cartridge removes sediment down to 5 microns. With high dirt holding capacity, the cartridge removes sediment, scale and rust.

Taste and Odour Removal

Moulded carbon cartridge that removes bad taste and odour. Incorporates Silver Plus Technology that prevents bacteria build up in the system.

Made from High Impact Polypropylene Material

Hygienic construction manufactured with virgin, high impact polypropylene. Ideal for situations requiring sanitary conditions.



Protection from



Cysts



Rust



Sand & Silt



Giardia Cysts



Sulphur



Algae

ADDITIONAL INFORMATION

Easy Home Installation

The Hybrid-M1 Series filter system will easily fit under your existing kitchen bench. All plumbing fittings are included for easy installation.

Advanced Filtration Technology

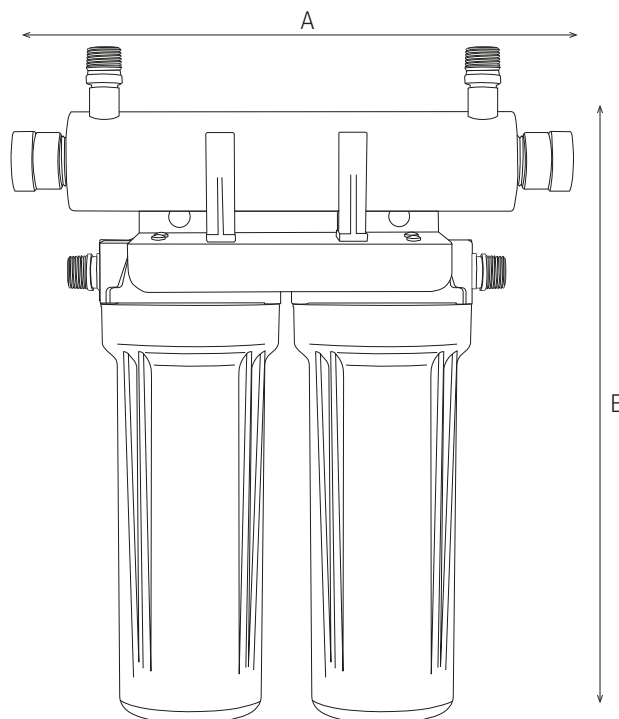
Puretec Hybrid-M1 Series system incorporates the most advanced filtration technology. It uses Radfire UV technology to kill bacteria, a washable sediment filter cartridge, a silver impregnated cartridge to remove bad taste, odour and prevents bacterial growth. The Radfire™ Ultraviolet Technology is a natural process of water purification that is eco-friendly and chemical free. Heavy duty construction allowing more flow with less pressure, making it a better option where there is more usage or very dirty water.

Longer Filter Life

The Hybrid-M1 Series incorporates Puretec's long life filter technology, so you can go longer between filter replacements, and comes with our **3 Year Platinum Protection Warranty**^.



PRODUCT DIMENSIONS Measurements in Millimeters (mm)



HYBRID-M1

A	B	Depth
355 mm	375 mm	140 mm



WaterMark

AS/NZS 3497
Licence No. WM 74617
Australian Certification Services
*FP10M-2 Filter Housing

- Note:**
1. No claims can be made based on the specifications and images in this document. The design, technology, colours, features and prices are subject to change.
 2. This document and all its contents are copyright protected. All rights are reserved, particularly alteration, translation and reproduction using electronic systems.
 3. ^Warranties in this document cover parts for 3 years and include cover for parts and labour for the first year where applicable, subject to approval. Excludes consumables.
 4. The treated water will seem warm for a short period at first flow. This is because the UV lamp emits heat to kill bacteria. When turning on a tap, let the water run for a short time to purge any warm water.

Our Water Filtration Specialists can provide you with advice to suit your needs.

For more information contact your local stockist or visit us on puretecgroupp.com
Australia **1300 140 140** | New Zealand **0800 130 140**