

GENERAL INFO

DESIGNED FOR RAINWATER

Dual Water Filter Systems for Whole House / Building Applications

The Puretec EM2 Series filtration systems are the appropriate choice for providing safe, clean, healthy water throughout the house or building. Providing maximum filtration with minimal flow restriction, these systems provide peace-of-mind throughout the house, office, protecting appliances from sediment and sludge build-up and extending the service life of ceramic disc tapware. The EM2-60, EM2-110, EM2-65 and EM2-100 additionally reduce taste, odours and chemicals. Enjoy purified water at every outlet in the house or building.

FEATURES & BENEFITS

- New & Improved Integrated rust-proof, anti-flex aluminium wall mount bracket[®].
- Able to operate on gravity feed pressure.
- Designed specifically for rainwater.
- Can also be used on mains, river, dam and bore water.
- Peace of mind with whole house filtration.
- Flow rates up to 150 litres/minute.
- Heavy duty housings for reliable whole house protection.
- Low maintenance, no moving parts, no chemicals.
- Dual stage filtration for longer filter life.
- Washable sediment cartridge that removes dirt, rust and algae in water.
- No power required.
- Filter cartridges included.
- Suitable for UV system pre-filtration.
- Easy to install.
- 10 Year Warranty[^].

[®]Registered Design



EM2-60

10" Dual Water Filter System



EM2-110

20" Dual Water Filter System

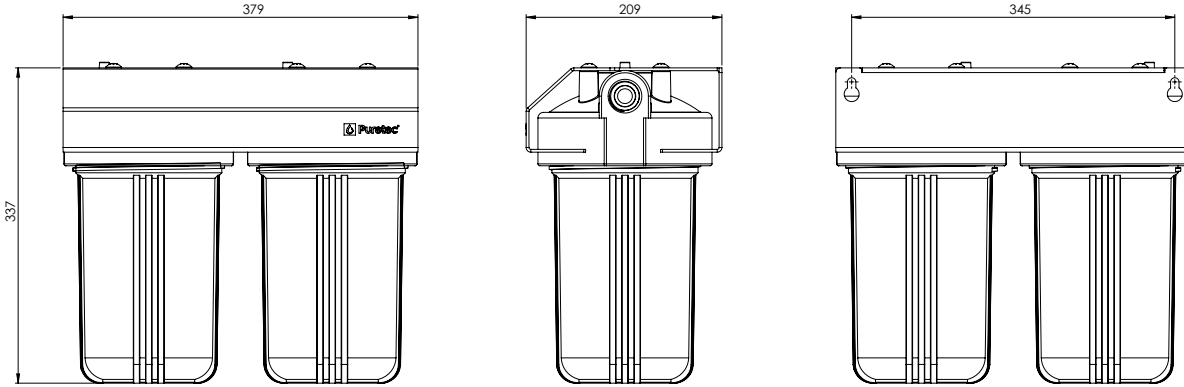
SPECIFICATIONS

Ordering Code:	EM2-60	EM2-65	EM2-75	EM2-80	EM2-100	EM2-110	EM2-140	EM2-150
Size of Residence:	Small to Medium				Medium to Large			
Sediment Filter Cartridge:	PL05MP1	PL05MP1	PL20MP1	PL20MP1	PL05MP2	PL05MP2	PL20MP2	PL20MP2
Taste & Odour Removal Cartridge:	DP10MP1	DP10MP1	PX01MP1	PX01MP1	DP10MP2	DP10MP2	PX01MP2	PX01MP2
Micron Rating:	5 Micron	5 Micron	1 Micron	1 Micron	5 Micron	5 Micron	1 Micron	1 Micron
Maximum Flow Rate:	60 Lpm	65 Lpm	75 Lpm	80 Lpm	100 Lpm	110 Lpm	140 Lpm	150 Lpm
Min/Max* Pressure:	200 - 875* kPa							
Min/Max Temperature:	0 - 52°C (protect from freezing)							
Connection:	1" BSP [25 mm]	1½" BSP [40 mm]	1" BSP [25 mm]	1½" BSP [40 mm]	1" BSP [25 mm]	1½" BSP [40 mm]	1" BSP [25 mm]	1½" BSP [40 mm]
Warranty:	10 years [^]							

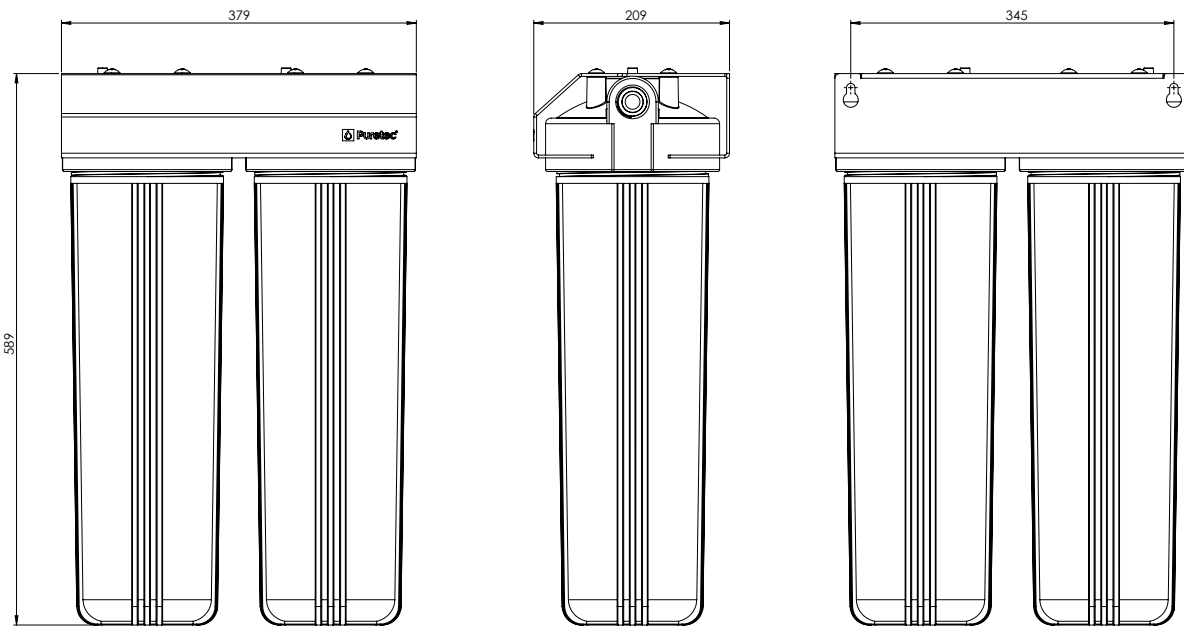
*Important Note: Use only genuine Puretec replacement cartridge. [^]10 year warranty is 1 year parts and labour, plus 9 years parts only. Excludes cartridges. *Micron Rating is nominal. *If pressure exceeds 500 kPa an approved pressure limiting valve must be fitted.*

PRODUCT DIMENSIONS (measurements shown in mm)

EM2-60, EM2-65, EM2-75 & EM2-80



EM2-100, EM2-110, EM2-140 & EM2-150



- Note:**
1. No claims can be made based on the specifications and images in this document. The design, technology, colours, features and prices are subject to change.
 2. This document and all its contents are copyright protected. All rights are reserved, particularly alteration, translation and reproduction using electronic systems.
 3. ^Warranties in this document cover parts for the period stated and include cover for parts and labour for the first year where applicable, subject to approval. Plus 9 years parts only. Our Water Filtration Specialists can provide you with advice to suit your needs.