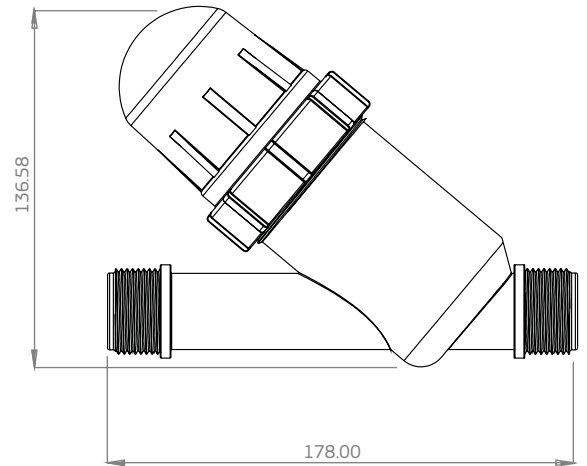


IF Series

Domestic Irrigation Sediment Removal Filter



Parts Included



Mesh sediment filter cartridge



User guide



Irrigation filter housing (large)

Specifications

Ordering Code	Size (mesh)	Connection	Filtration Surface Area (cm ²)	Max. Flow Rate (m ³ /h / Lpm)	Max. Pressure
IMF034-80L	80	3 / 4"	90	5 / 83	600 kPa
IMF034-120L	120	3 / 4"	90	5 / 83	600 kPa
IMF010-40L	40	1"	90	6 / 100	600 kPa
IMF010-80L	80	1"	90	6 / 100	600 kPa
IMF010-120L	120	1"	90	6 / 100	600 kPa

Warranty:

Use only genuine Puretec replacement cartridge. ^1 year warranty is 1 year parts and labour. Excludes cartridges.