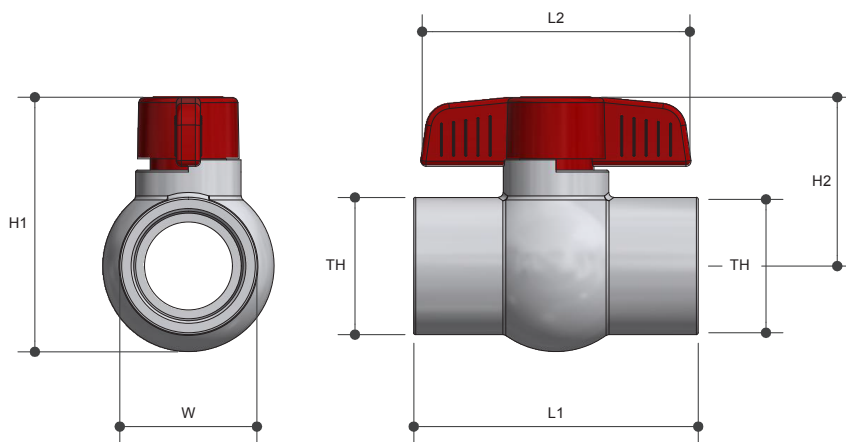


# PVC BALL VALVE

Slip

Product Specifications



## Specifications

Working temperature 1°C to 45°C

Maximum pressure rating 1000kPa

## Sizing Chart (MM)

	L1	L2	H1	H2	W	TH
PVCBVS15	80	69	64	44	32	DN15
PVCBVS20	94	81	76	52	39	DN20
PVCBVS25	106	100	94	65	48	DN25
PVCBVS32	113	108	103	70	54	DN32
PVCBVS40	129	108	113	75	63	DN40
PVCBVS50	148	138	126	81	76	DN50
PVCBVS65	178	193	166	109	93	DN65
PVCBVS80	209	193	181	116	107	DN80
PVCBVS100	294	262	237	152	135	DN100

## Features

Positive drip-tight shutoff.

Rapid 1/4-turn on/off control manually operated

Durable PVC body and rugged ABS handle

Compatible with PVC piping

Slip female connections

Available in sizes 15mm (1/2") to 100mm (4")

## Material Chart

Part	Material
Body	PVC
Seal	PTFE
Ball	PVC
O Ring	EPDM
Handle	ABS
Cap	ABS

For more information on Logi Valve, contact:  
 Austworld 15 Activity Crescent, Molendinar, Queensland 4214 Australia  
 P. 1300 780 430 F. 1300 780 441 E. info@austworld.com.au

Austworld Pty Ltd. All rights reserved 2018. Austworld and Logi Valve are registered trade mark belonging to Austworld Pty Ltd.

