

PRODUCT DATA SHEET

DAB-251NXTP • 808425

PRODUCT DETAILS

The DAB 251nXtP is a rugged cast iron, twin impeller, self-priming, surface mounted jet pump suitable for use in a wide range of applications and especially where there is the requirement to lift water from the source.

The distinctive front casting contains a jet and venturi which provides suction capability of up to 8m.

Supplied with the innovative dual mode nXtP controller this combination is ready to provide years of reliable operation.

APPLICATIONS

- Supplying water to domestic installations
- Ideal for use in small-scale agriculture or horticulture
- Pressure boosting, irrigation, wash down or other limited industrial services
- Situations where self priming operation is necessary
- Designed for pumping from tanks, rivers and dams where air bubbles or small particles of sand are present

FEATURES

- Self priming centrifugal pump with excellent suction capability
- 240V single phase TEFC motor with in-built auto reset thermal overload to prevent pump from damage
- The nXtP dual mode controller has an inbuilt check valve and dry run (no flow)protection

To protect the pump from excessive cycling and to isolate from the effects of water hammer, adding a pressure tank to the system is highly recommended



BRAND

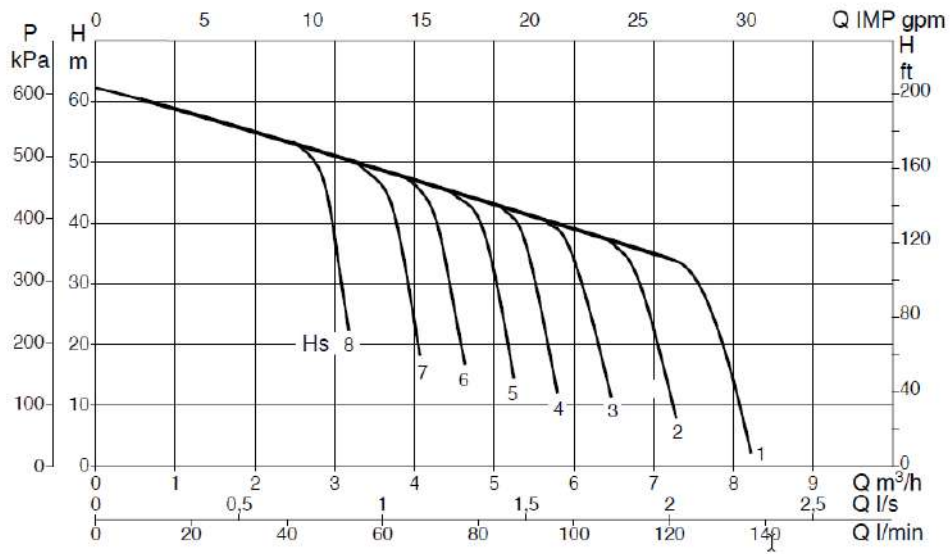


TECHNICAL DATA

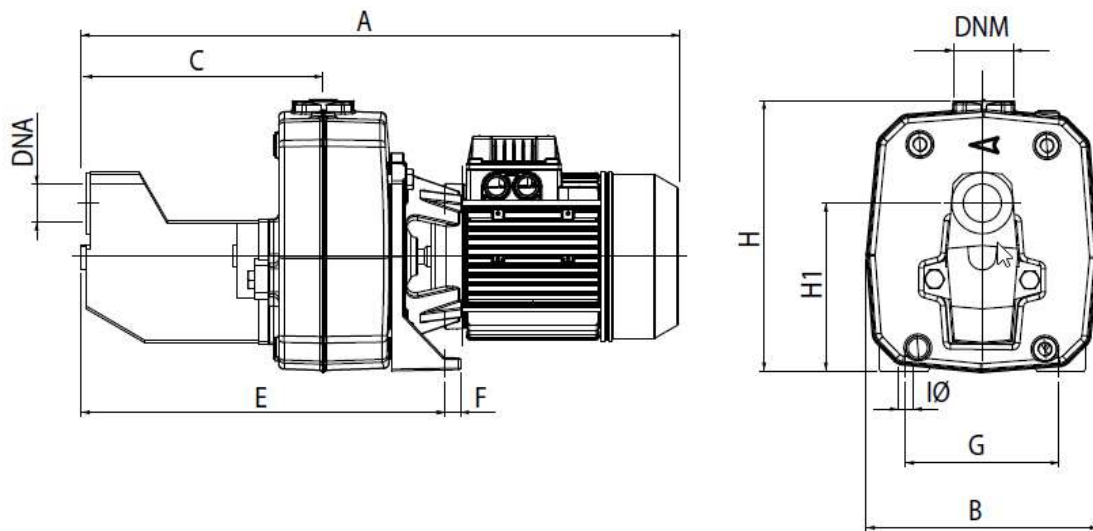
RATED POWER (P2)	1.85 (2.5hp)
MAX. FLOW [LPM]	120 LPM
MAX. HEAD [M]	62m
MAX. PRESSURE RATING	8 bar
FLUID TEMP RANGE	0 - 35 deg C
MAX. AMBIENT TEMP	40 deg C
PUMP BODY	GJL 200 Cast Iron
IMPELLER	Glass reinforced Noryl
JET, VENTURI, DIFFUSER	Glass reinforced Noryl
MECHANICAL SEAL	Carbon Ceramic Nitrile
O RINGS	Nitrile

RATED VOLTAGE (V)	3~ 220 - 240V 50 hz
RATED CURRENT (A)	10 A
RATED SPEED (RPM)	2800 - 2 pole
IP RATING	I.P. 44
SUCTION CONNECTION	1 1/4" G (BSP)
DISCHARGE CONNECTION	1" G (BSP)
AUTOMATIC OPERATION	Yes via nXtP dual mode controller
MOTOR PROTECTION	Auto re-setting thermal overload
CAPACITOR	40uf 450V +/-5%
CARTON DIMENSIONS	657mm L x 248mm W x 279mm H
GROSS WEIGHT (KG)	35kg

CURVE



DIMENSIONS



MODEL	A	B	C	E	F	G	I Ø	H	H1	DNA GAS	DNM GAS
DAB-251 nXtP	632	210	221	350	20	145	11	255	158	1 1/4"	1"

WARRANTY / CERTIFICATIONS

