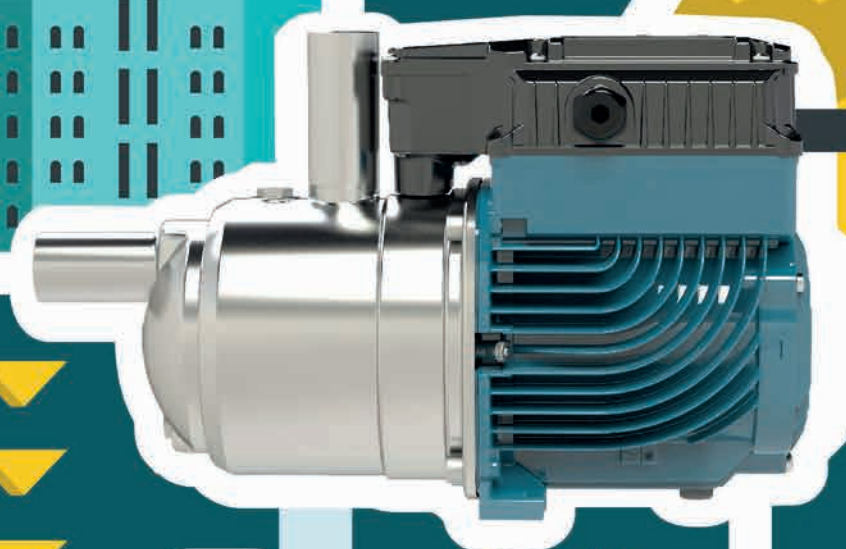


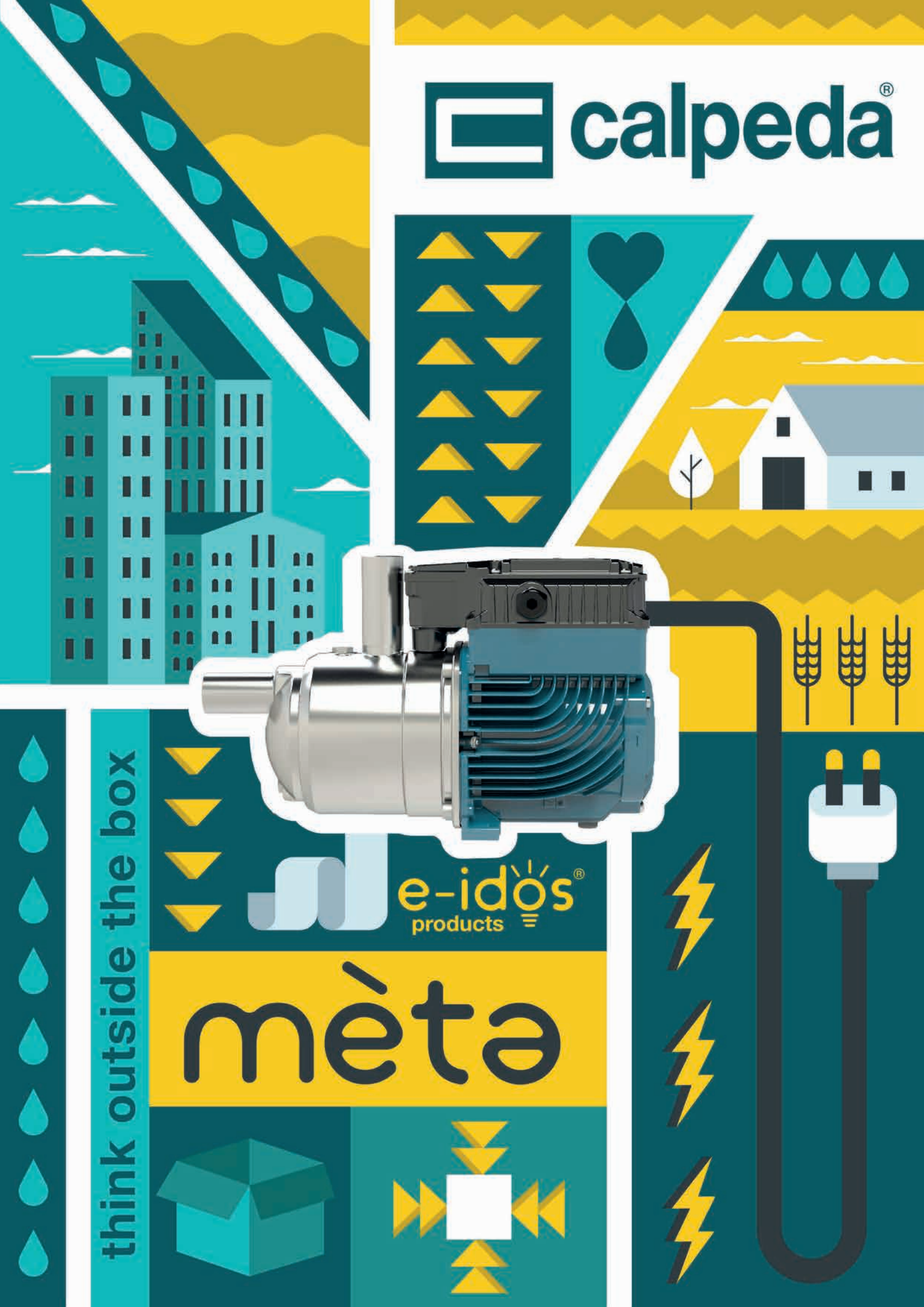
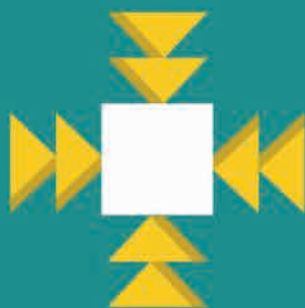
 calpeda®



think outside the box

 e-idos®
products

méta





Fan less more fun

Self priming booster set
easy to install and **plug and play**

Equipped with a **built-in frequency converter**
a pressure sensor on the discharge side,
a built-in pressure vessel in the pump casing
and a non-return valve on the suction side

**Mèta small is equipped with an
asynchronous motor without ventilation**

Energy Efficiency Index

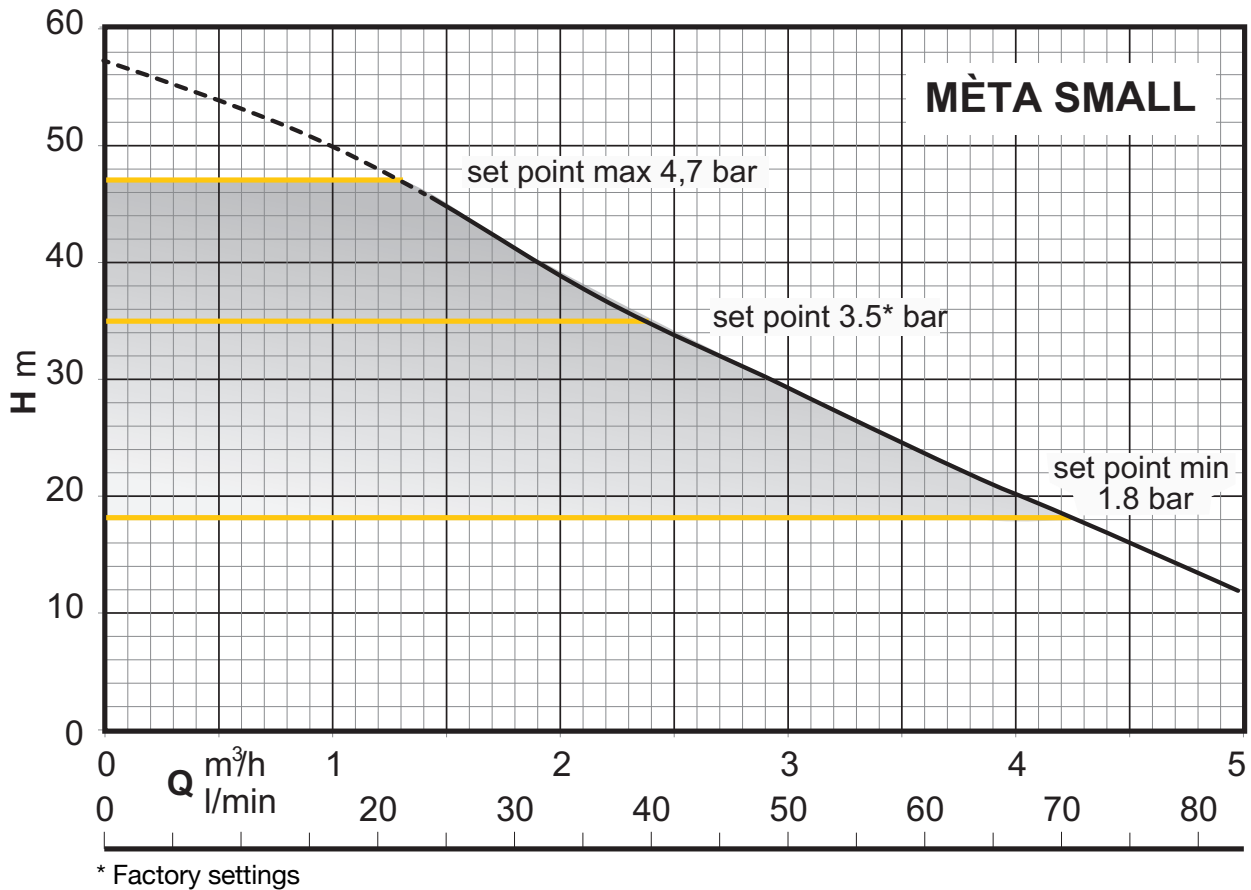
EEI 0.42

variable speed

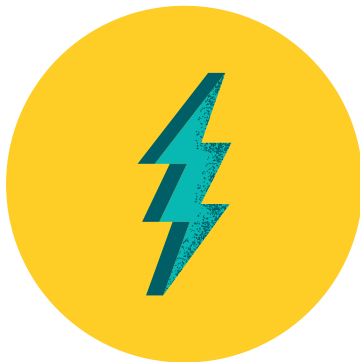
performance

2
YEAR

WARRANTY



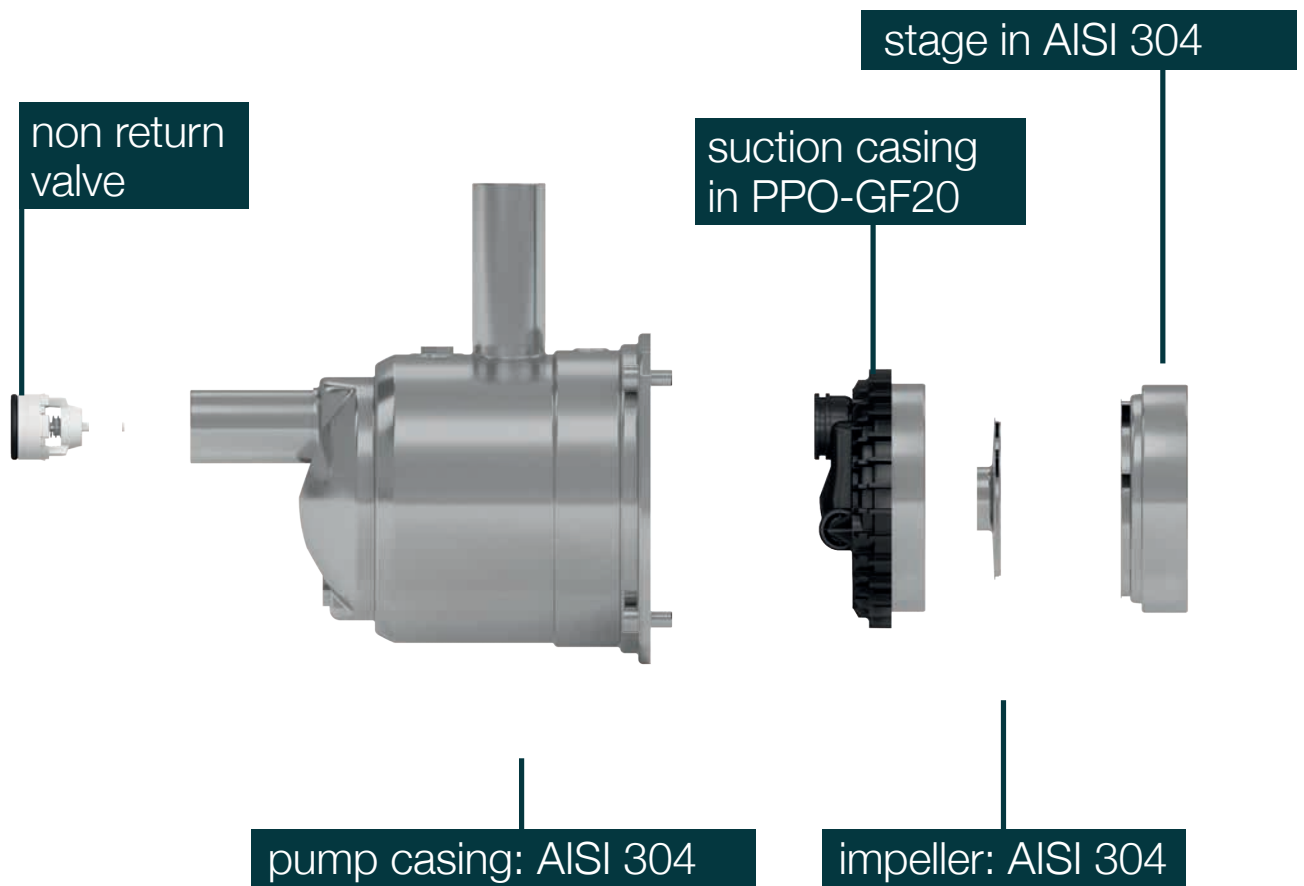
Energy saving



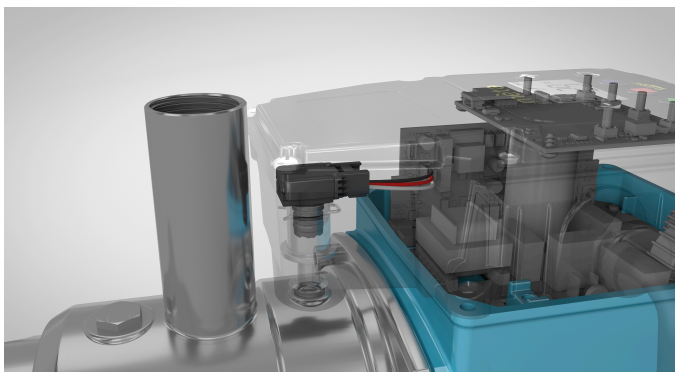
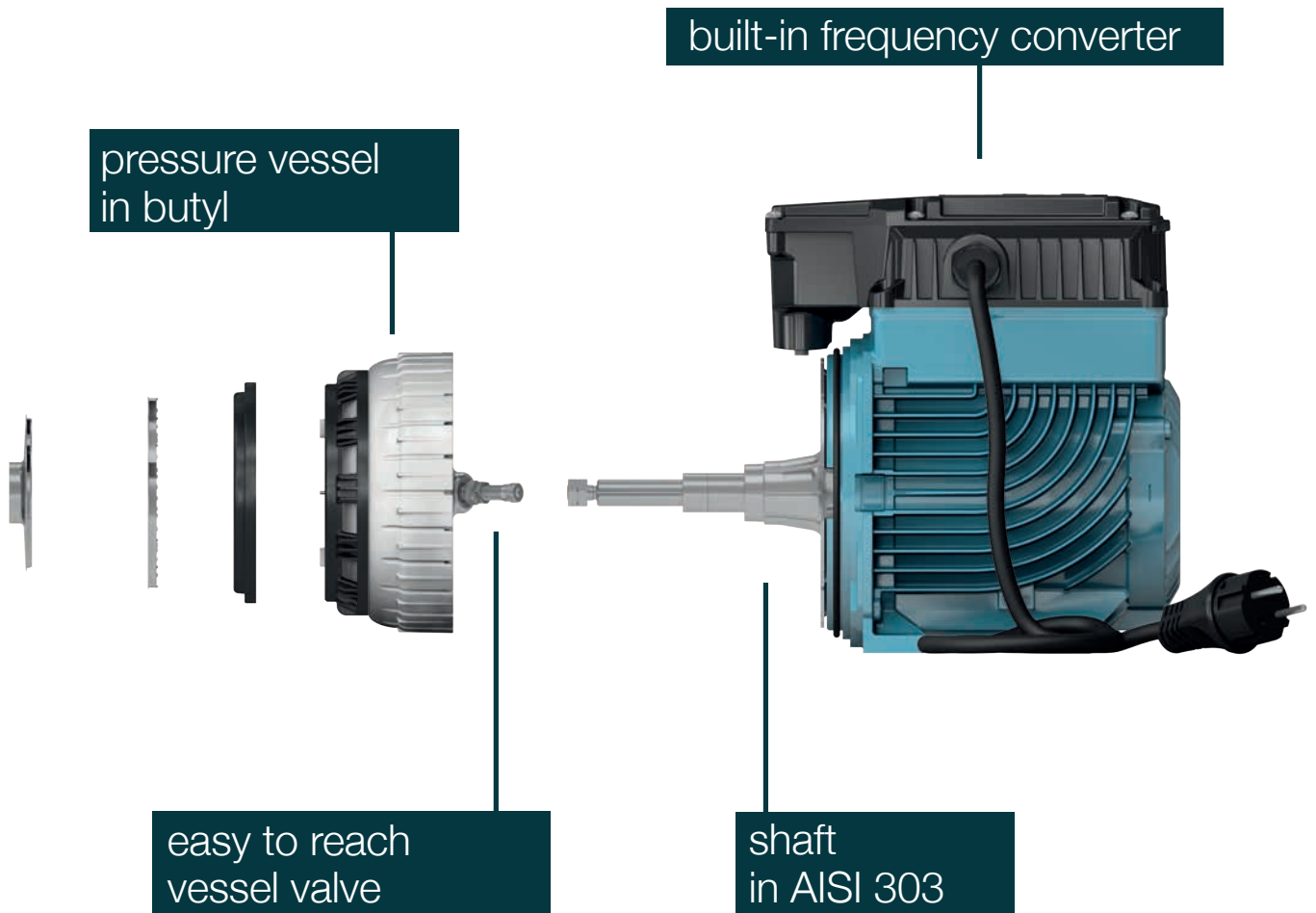
450Wh

**Up to 450Wh
compared to a traditional solution**

easy to inspect and maintain



**non return
valve on the
suction side**



built-in frequency converter

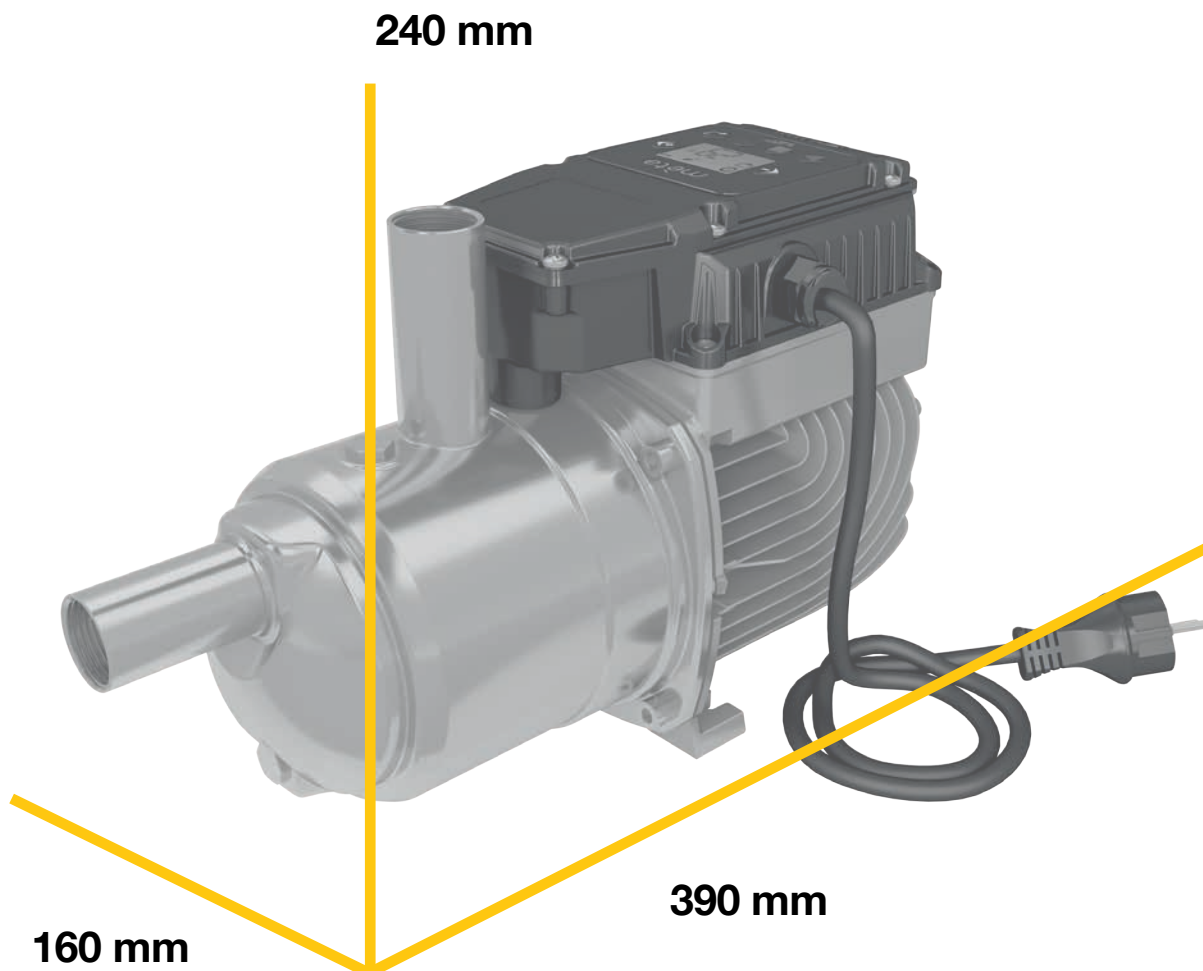
- constant pressure
- variable speed
- energy efficiency



features

- fanless design
- built-in frequency converter
- built-in pressure vessel
- constant pressure
- high efficiency asynchronous motor
- motor power control
- no hydraulic losses due to measuring devices
- voltage and current control
- monitoring of the maximum starting current

dimensions



the most compact



water passion

Calpeda Pumps
3 Maritime Court
Gillman 5013 SA
Tel. +61 8 8268 8880
Web: www.calpeda.com.au
e-mail: sales@calpeda.com.au

Your local store: