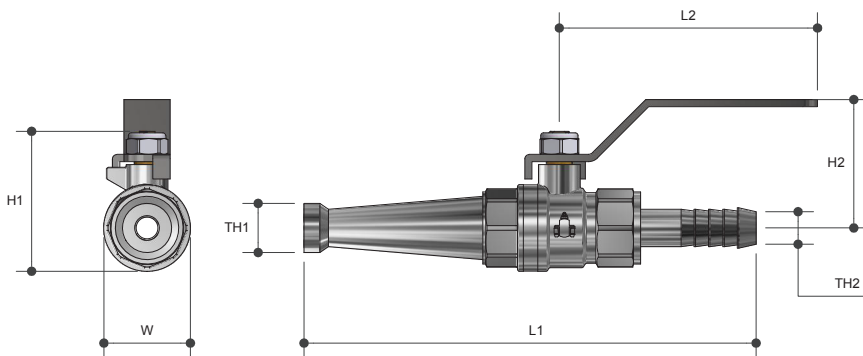


# GENERAL PURPOSE BALL VALVE

## Nozzle

### Product Specifications



### Specifications

Working temperature 1 °C to 120 °C

Maximum pressure rating 1600kPa

### Sizing Chart (MM)

	L1	L2	H1	H2	W	TH1	TH2
BVN15	157	90	49	45	30	DN15	DN15
BVN20	157	90	49	45	30	DN20	DN20
BVN25	157	90	49	45	30	DN25	DN25

### Features

Available in sizes 15mm (1/2") to 25mm (1")

Full Bore

100% pressure tested

Blow proof spindle

Stainless steel handle

### Material Chart

Part	Material
Body	Brass
Seal	PTFE
Ball	Brass
Bonnet	Brass
Spindle	Brass
O Ring	HNBR
Handle	Stainless Steel
Lock Nut	Stainless Steel

For more information on Logi Valve, contact:  
Austworld 15 Activity Crescent, Molendinar, Queensland 4214 Australia  
P. 1300 780 430 F. 1300 780 441 E. info@austworld.com.au

Austworld Pty Ltd. All rights reserved 2018. Austworld and Logi Valve are registered trade mark belonging to Austworld Pty Ltd.

Revision no. 1.0 | 24/05/2021

