

UNILIFT CC

SUBMERSIBLE DRAINAGE PUMP

2
YEAR
WARRANTY

WATER SOURCE



Clean Water



Storm/
Grey Water

APPLICATION



Clean Water
Drainage



Storm/Grey
Water Handling

- **Able to pump down to just 3 mm of water**, making it perfect for emptying pools, ponds, wells or tanks
- **Suitable for fully or partially submerged use**
- **High quality, composite and stainless steel construction**
- Suitable for **permanent installation** or as a **light weight portable pump**



MAXIMUM PARTICLE SIZE

It's a good idea to check your water source to make sure it doesn't contain dirt, fibres, plant or other material larger than **10 mm**.

If it does, you might need a drainage pump capable of handling larger particle sizes like the one's below.

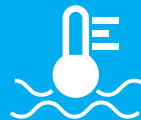


CONTROL & PROTECTION FEATURES



FLOAT SWITCH

External float that either turns your pump on or off based on the water level - this prevents overflowing and dry-running.



SELF-COOLING MOTOR

The pump is cooled by water being pumped, protecting it from overheating, even when only partially submerged.

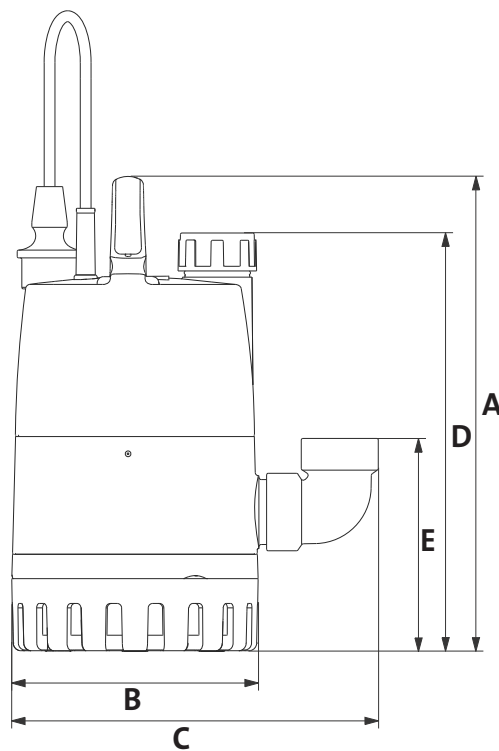
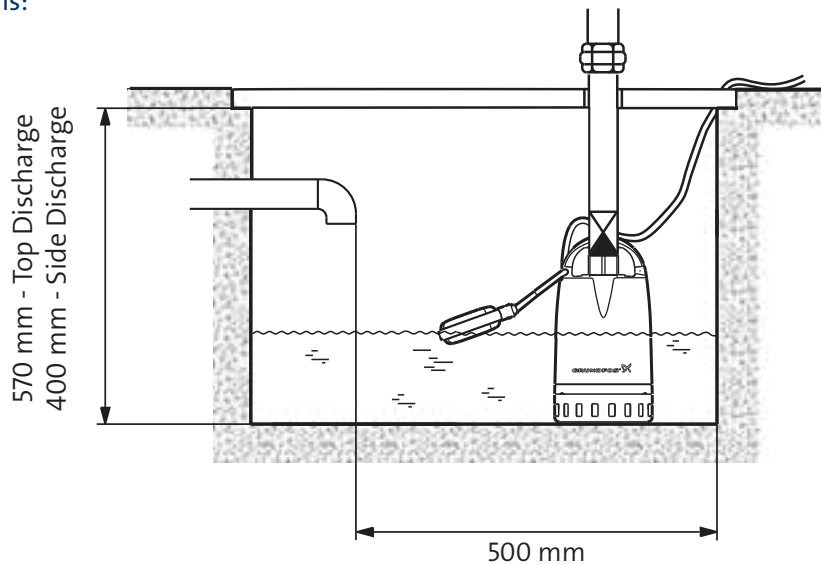
be
think
innovate

GRUNDFOS 

FIND SPACE FOR YOUR PUMP

If you are planning to install the UNILIFT CC in a drainage pit and will rely on the float switch to automatically start and stop your pump, a minimum amount of space in the pit is required for free movement of the float.

See below pit dimensions:



Model	Connections		Dimensions (mm)				
	Outlet (Top)*	Outlet (Side)	A (h)	B (w1)	C (w2)	D (outlet 1)	E (outlet 2)
UNILIFT CC 5	¾", 1" or 1¼" Male	1¼" Female	306	160	238	270	90
UNILIFT CC 7			306	160	238	270	90
UNILIFT CC 9			342	160	238	308	90

* Outlet adapter kit in box