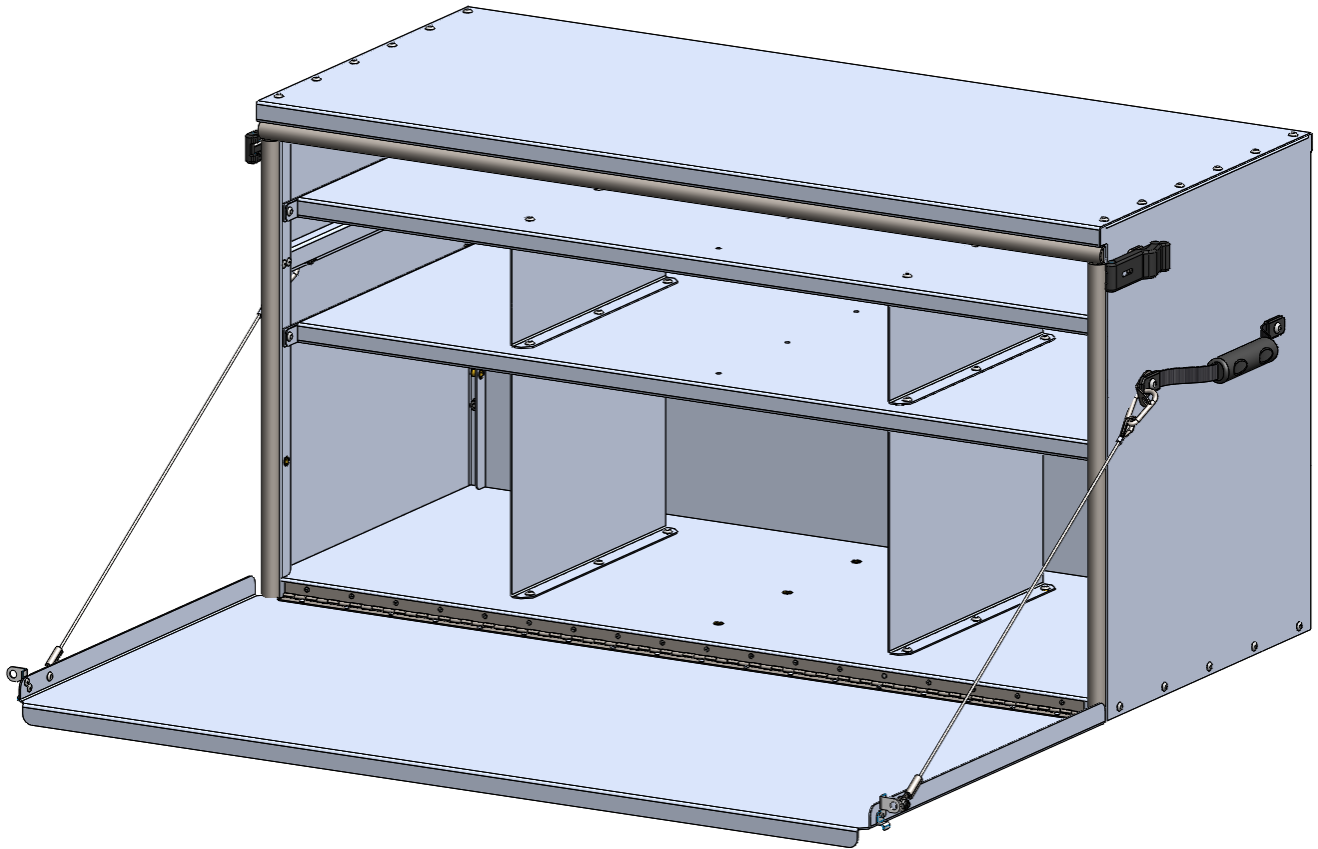


OUT-IN-ABOUT BOX

Instruction Sheet-941



1445 Fortress Street, Chico CA 95973 • (530) 893-5244
www.Renlicon.com

FOREWORD

Thank you for purchasing our Renlison Out-In-About Box. Please read the following procedures carefully before starting assembly.

This instruction sheet provides the necessary information for the assembly of the Renlison Out-In-About Box. If you find something we missed or require any additional information, please feel free to contact our Customer Service team at (530) 893-5244.

NOTICE

This product is protected by state common law, copyright and/or patent. All legal rights therein are reserved. The design, layout, dimensions, geometry, and engineering features shown in this product are the exclusive property of Renlison. This product may not be copied or duplicated in whole or part, abstractly or fundamentally, intentionally, or fortuitously, nor shall any design, dimension, or other information be incorporated into any product or apparatus without prior written consent of Renlison.

TABLE OF CONTENTS

FOREWORD..... 2

NOTICE..... 2

TOOLS & SUPPLIES REQUIREMENTS 4

PARTS LIST/DIAGRAM 5

ASSEMBLY INSTRUCTIONS.....6

TOOLS & SUPPLIES REQUIREMENTS

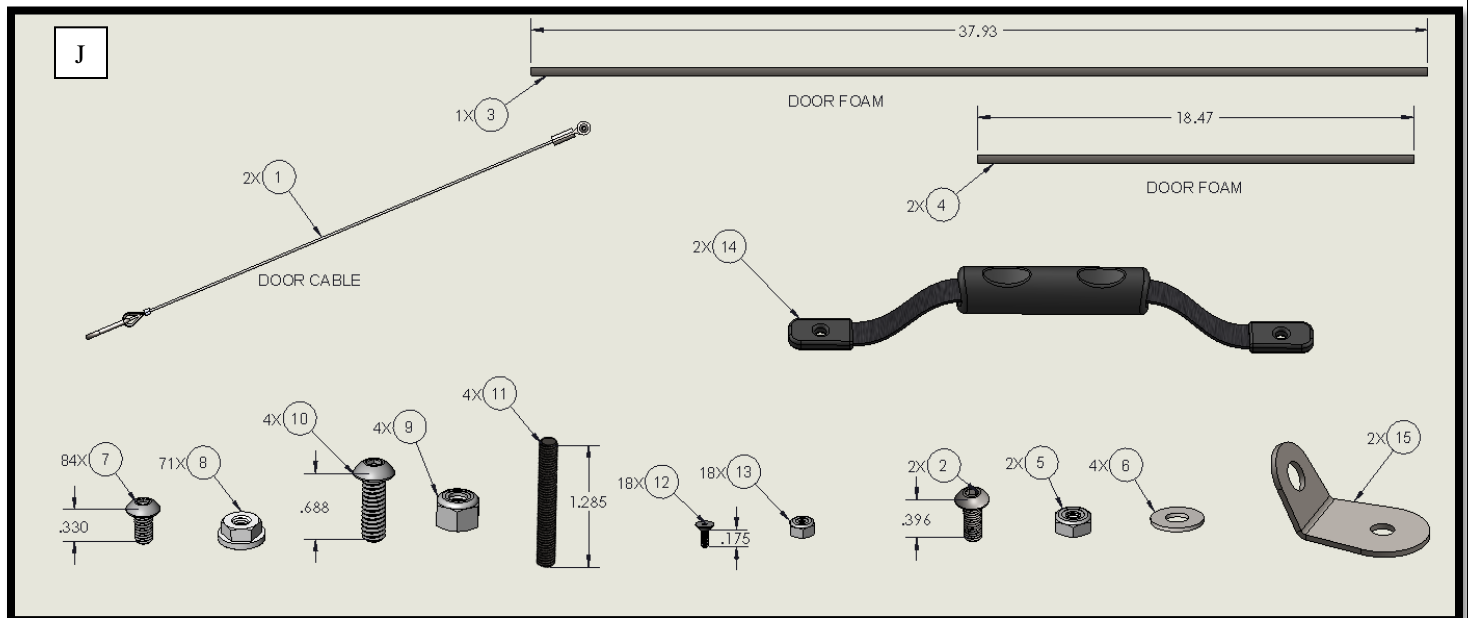
Before starting the assembly process, review all assembly instructions. If you have any questions, please contact Renlison Customer Service at (530) 893-5244.

Tool List:

- 1/16" hex key
- 1/8" hex key
- 5/32" hex key
- 1/4" wrench
- 3/8" wrench
- 7/16" wrench

PARTS LIST/DIAGRAM

Before beginning assembly, verify all parts listed below are included in the installation kit. If there are any missing or damaged parts, please contact Renlicon at (530) 893-5244.



Parts List:

- A. Base
- B. Left Panel
- C. Right Panel
- D. Top
- E. Door
- F. Back Panel
- G. Shelf x2
- H. Shelf Divider 5" x2
- I. Shelf Divider 10" x2
- J. Hardware Kit x1

ASSEMBLY INSTRUCTIONS

Box Assembly

1. Starting with the base. [A]

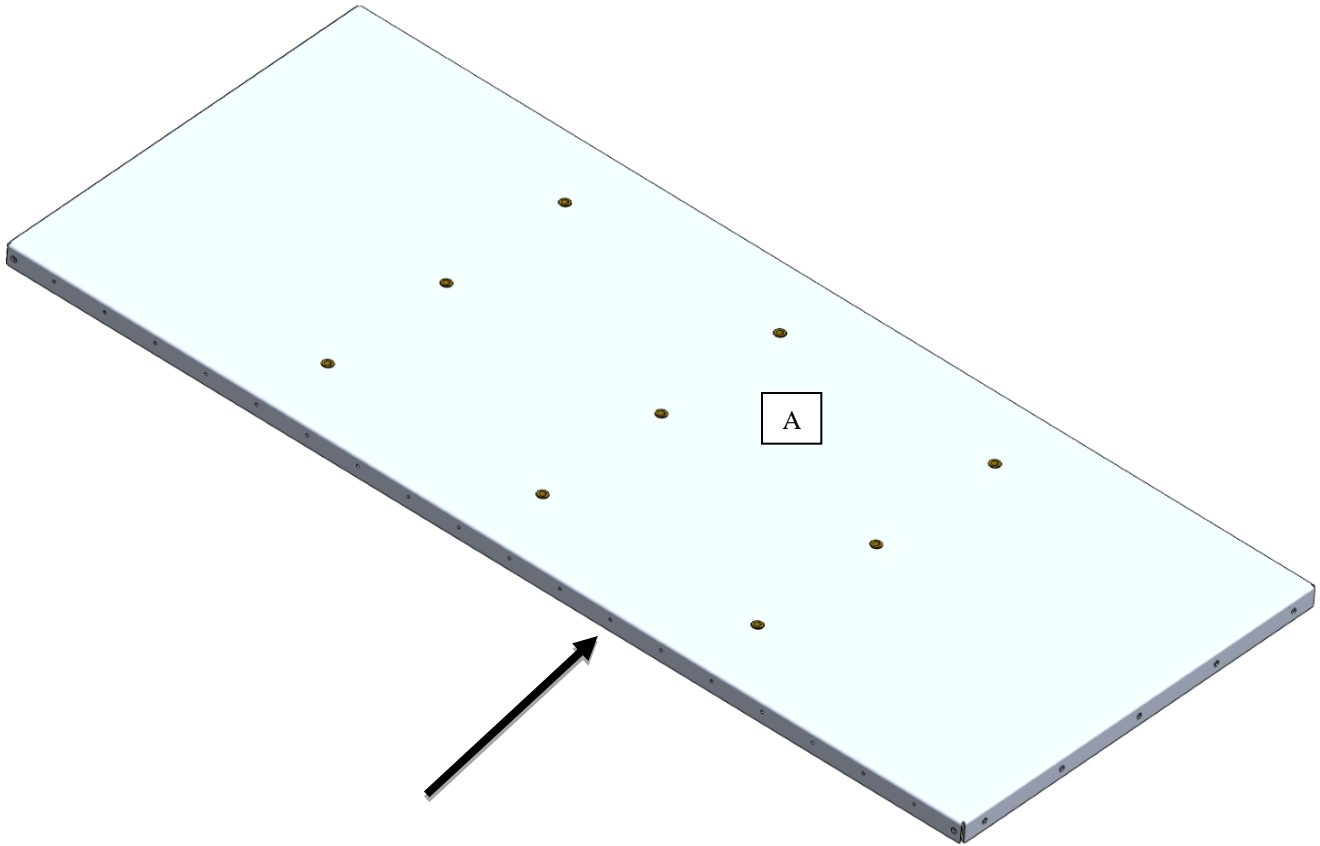
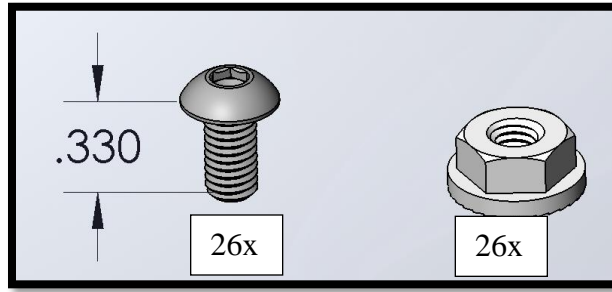
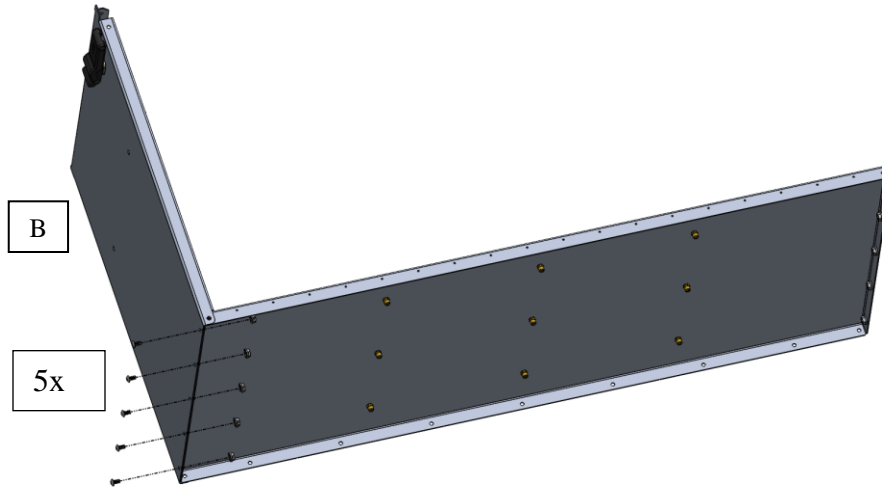


Figure 1: Base

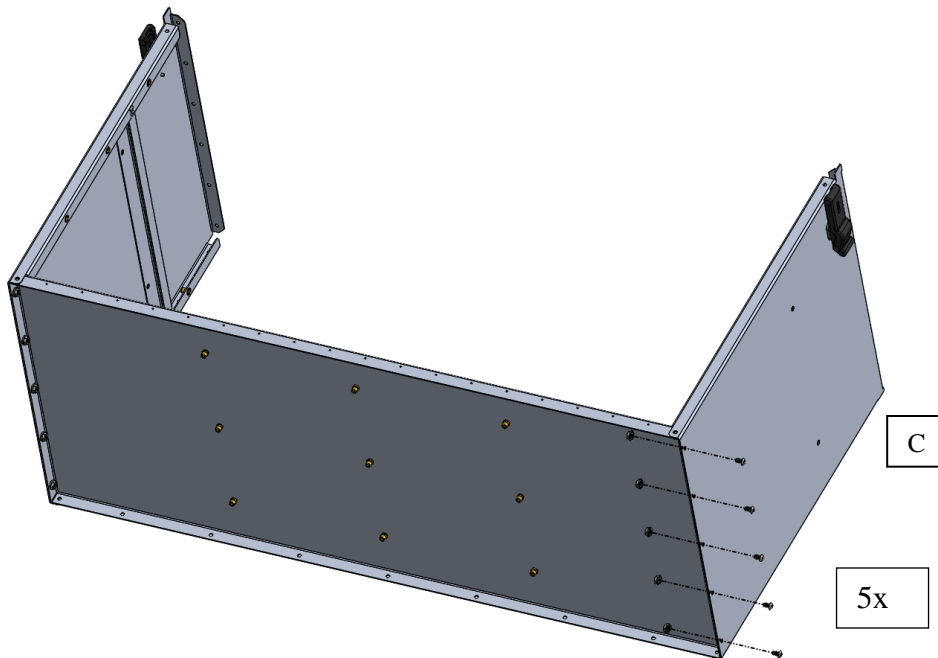
NOTE: The long side with 18 small holes is the front of the box.



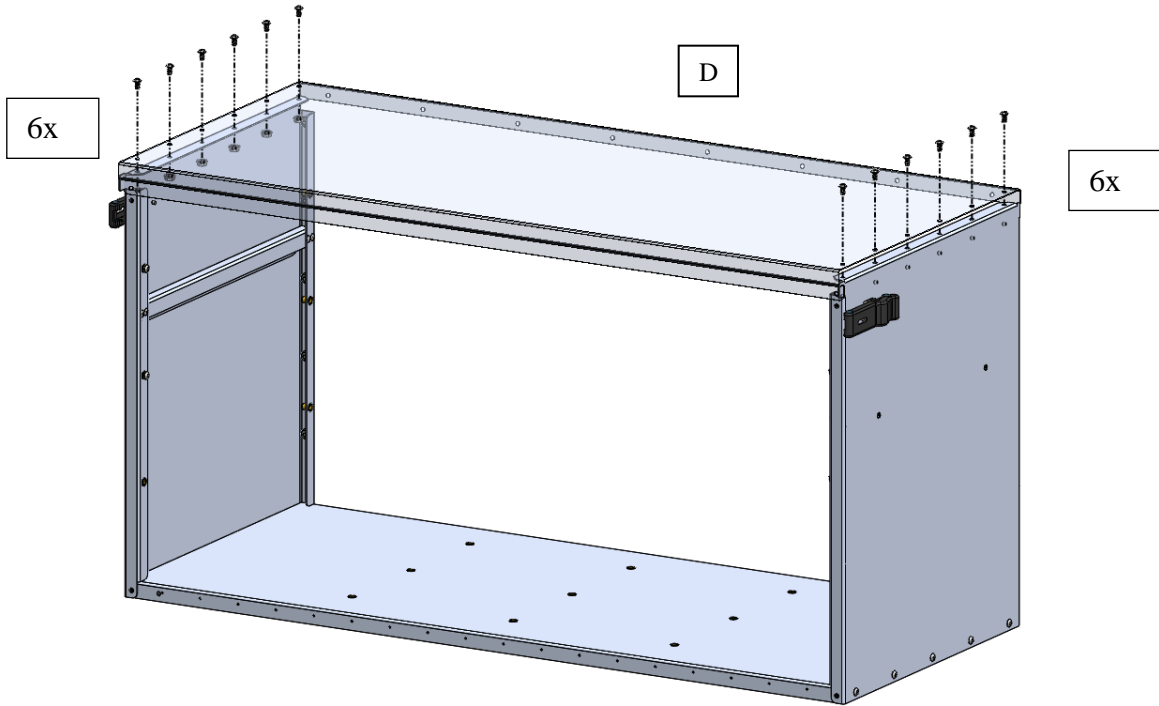
2. Bolt left panel [B] to base



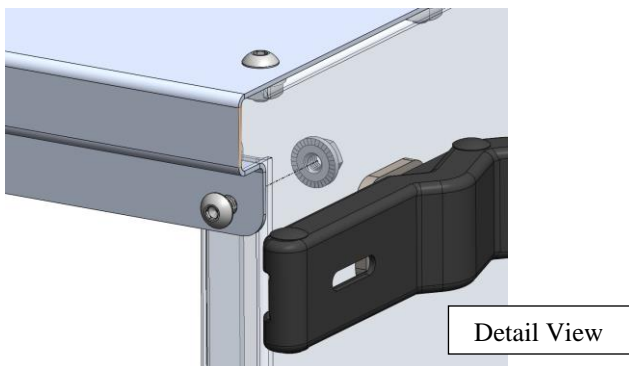
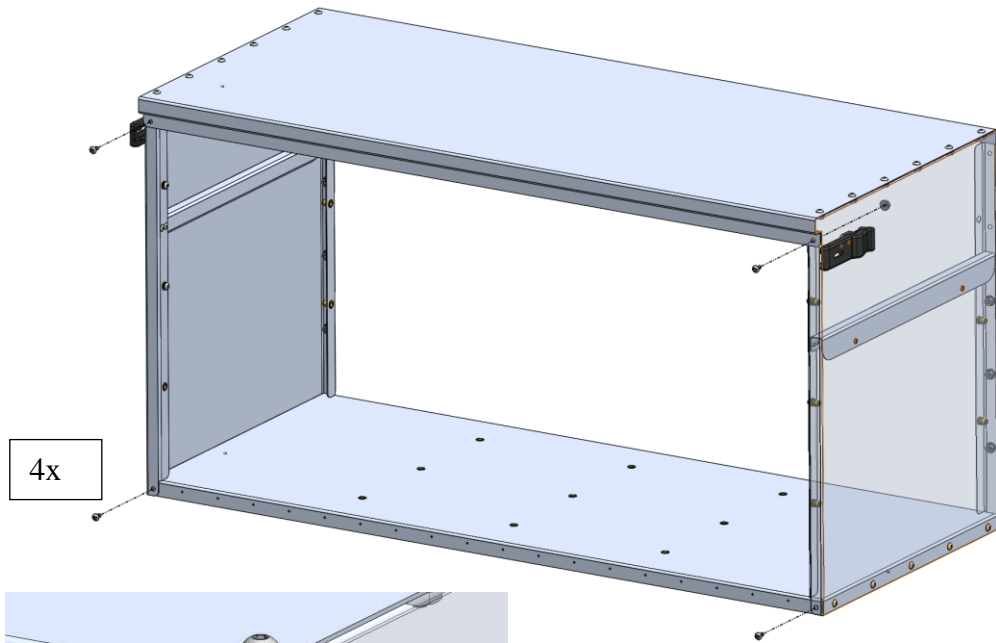
3. Bolt right panel [C] to base



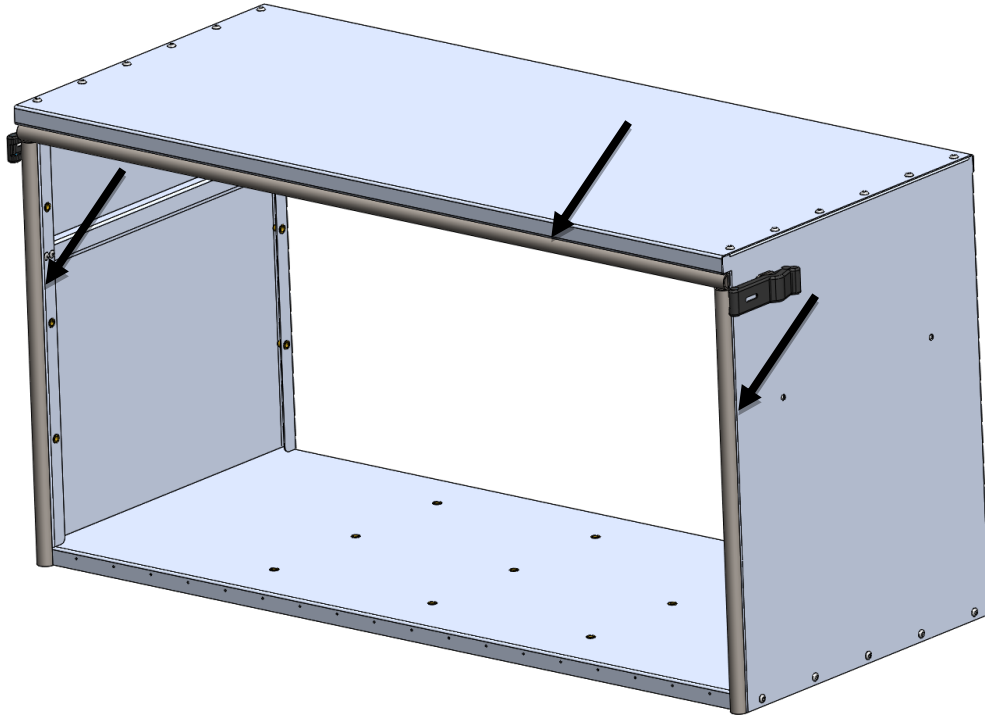
4. Bolt top panel [D] to side panels



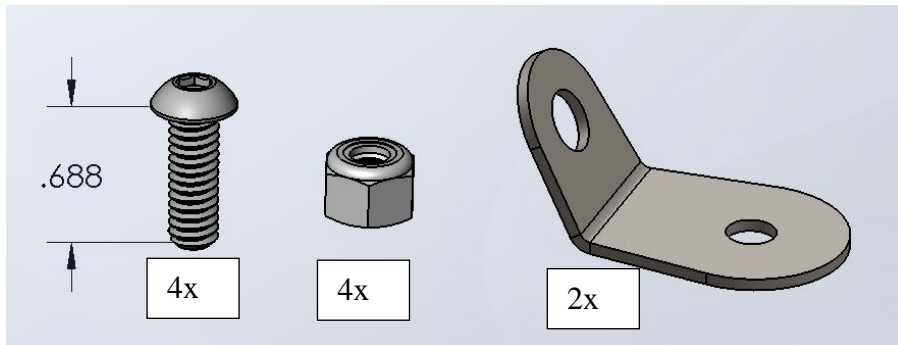
5. Secure frame



6. Apply the pre-cut weather stripping, door foam, underneath the lip of the top part of the box. Then apply to the side panels. (Ensure you have completed step 5.)

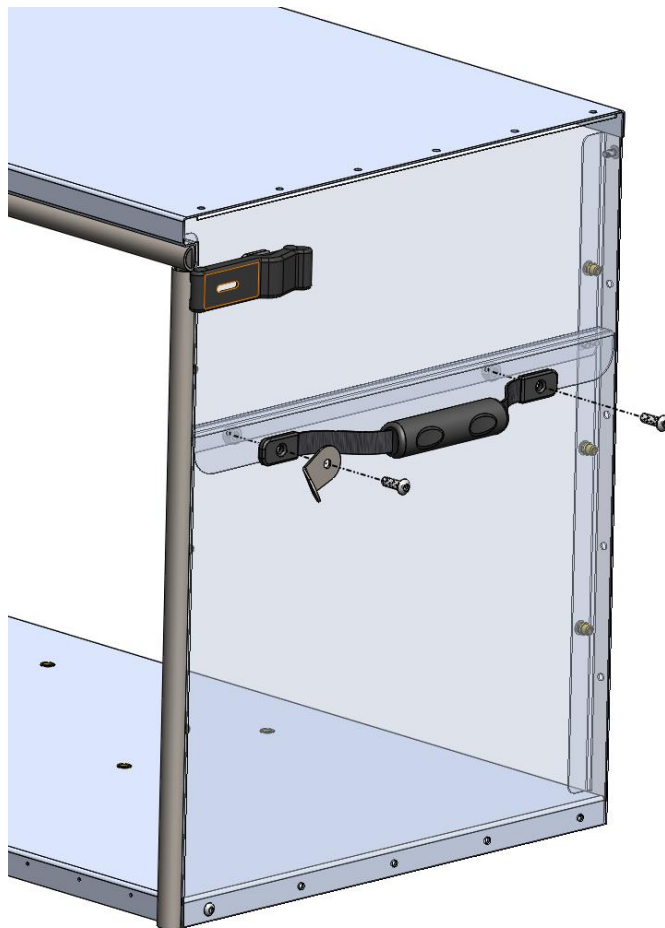


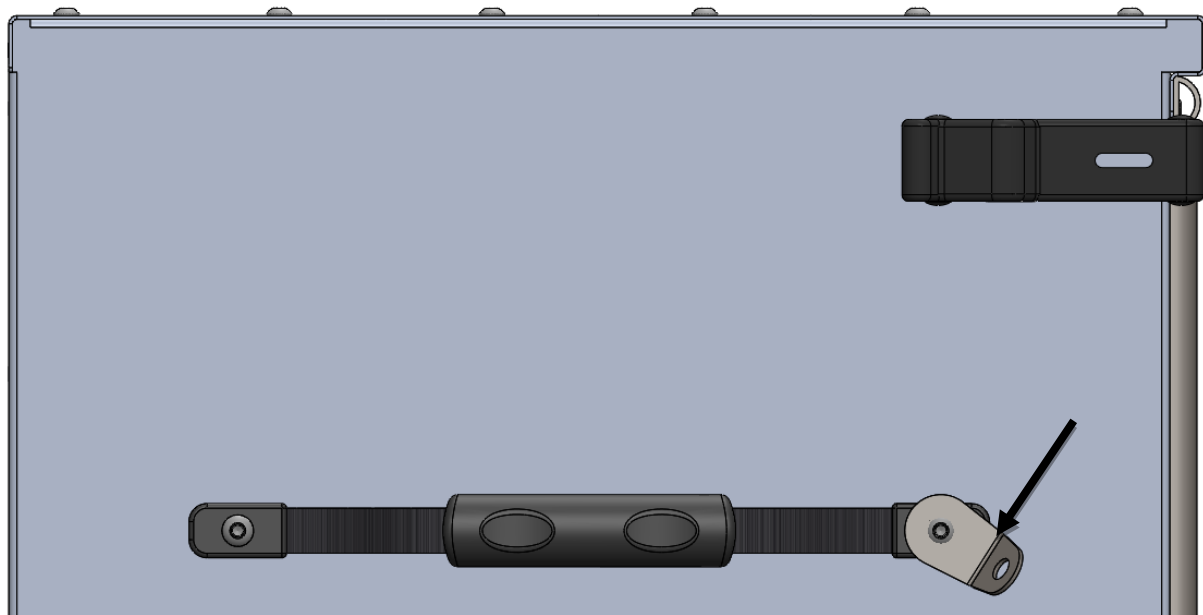
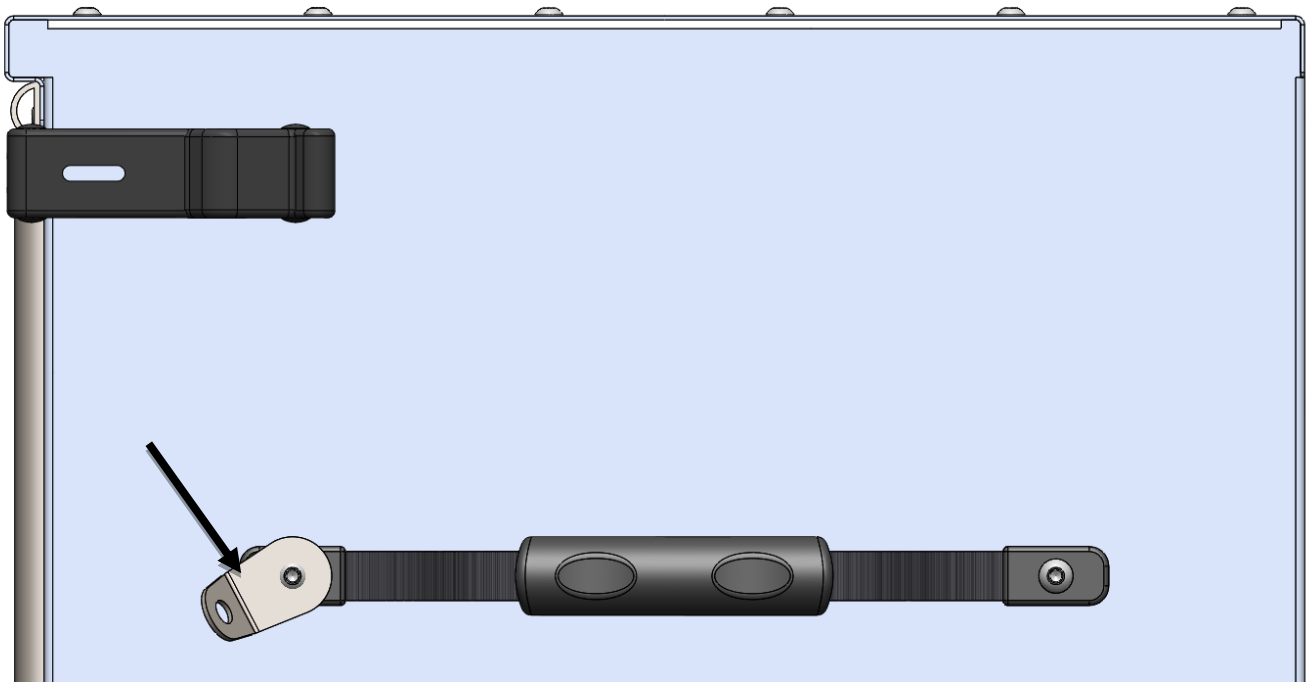
7. Bolt the handles to the side panels.



8.

- Install the cable anchor bracket on top of the handle. Face the tab downwards on the front most bolt on the handle as shown on the next page.

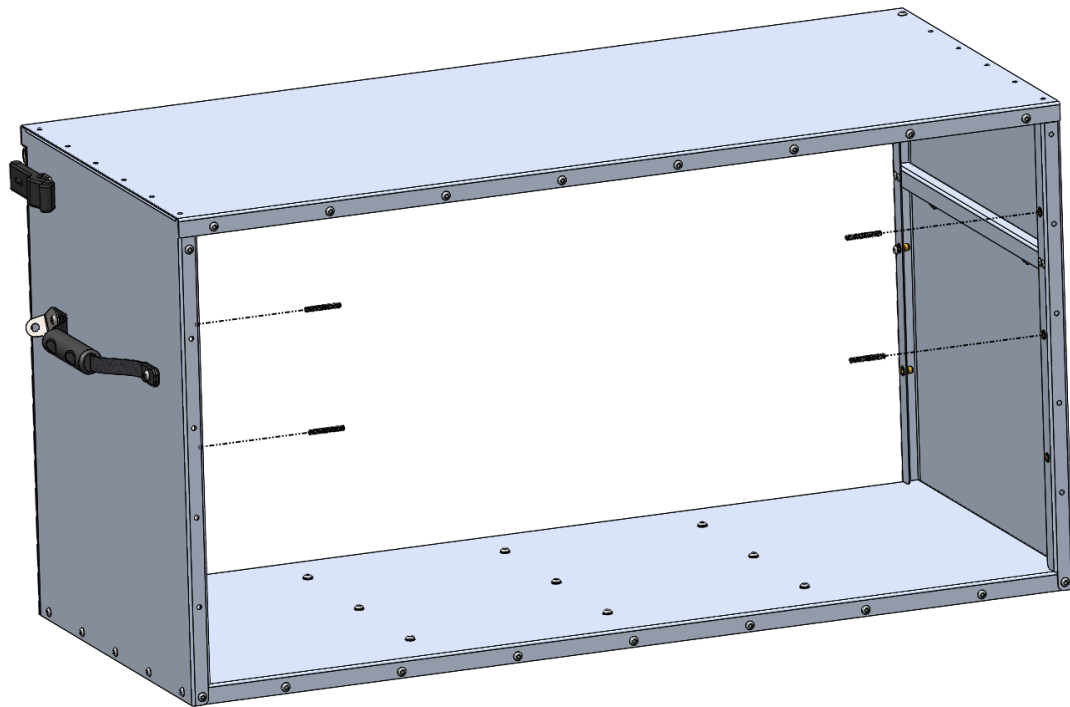




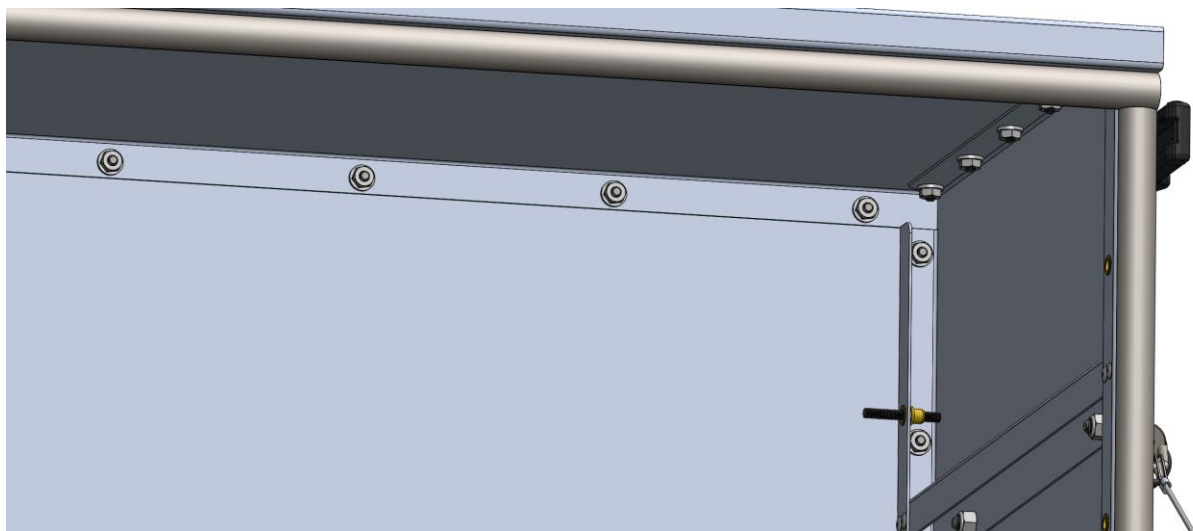
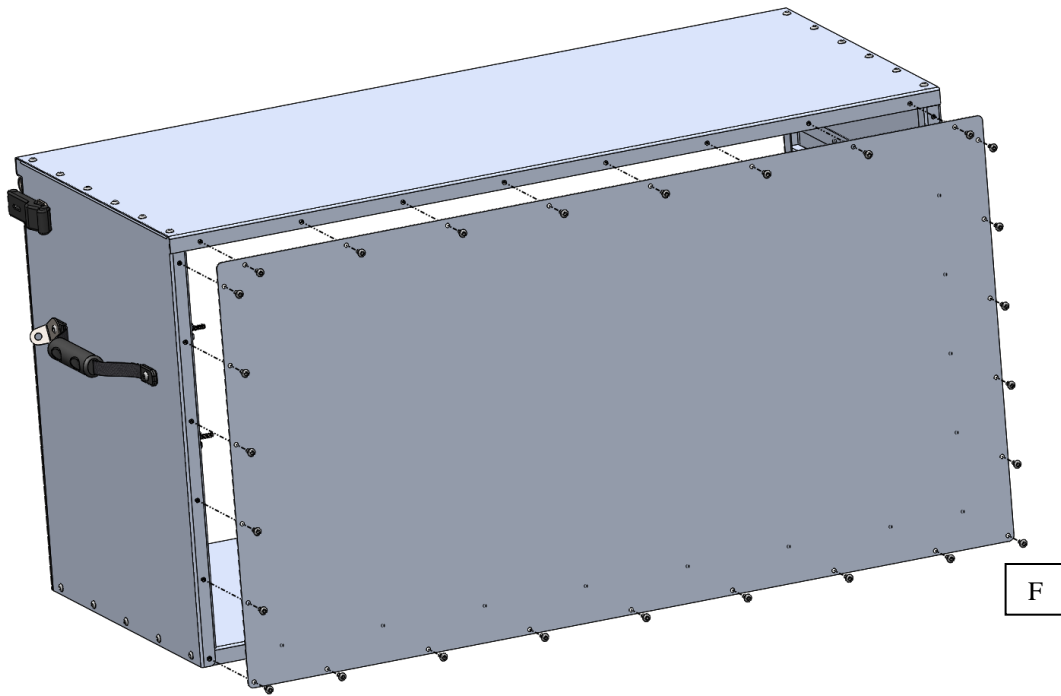
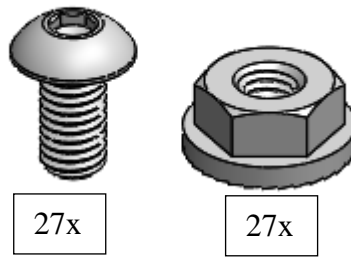
9. Install shelf mounting all-thread screw.



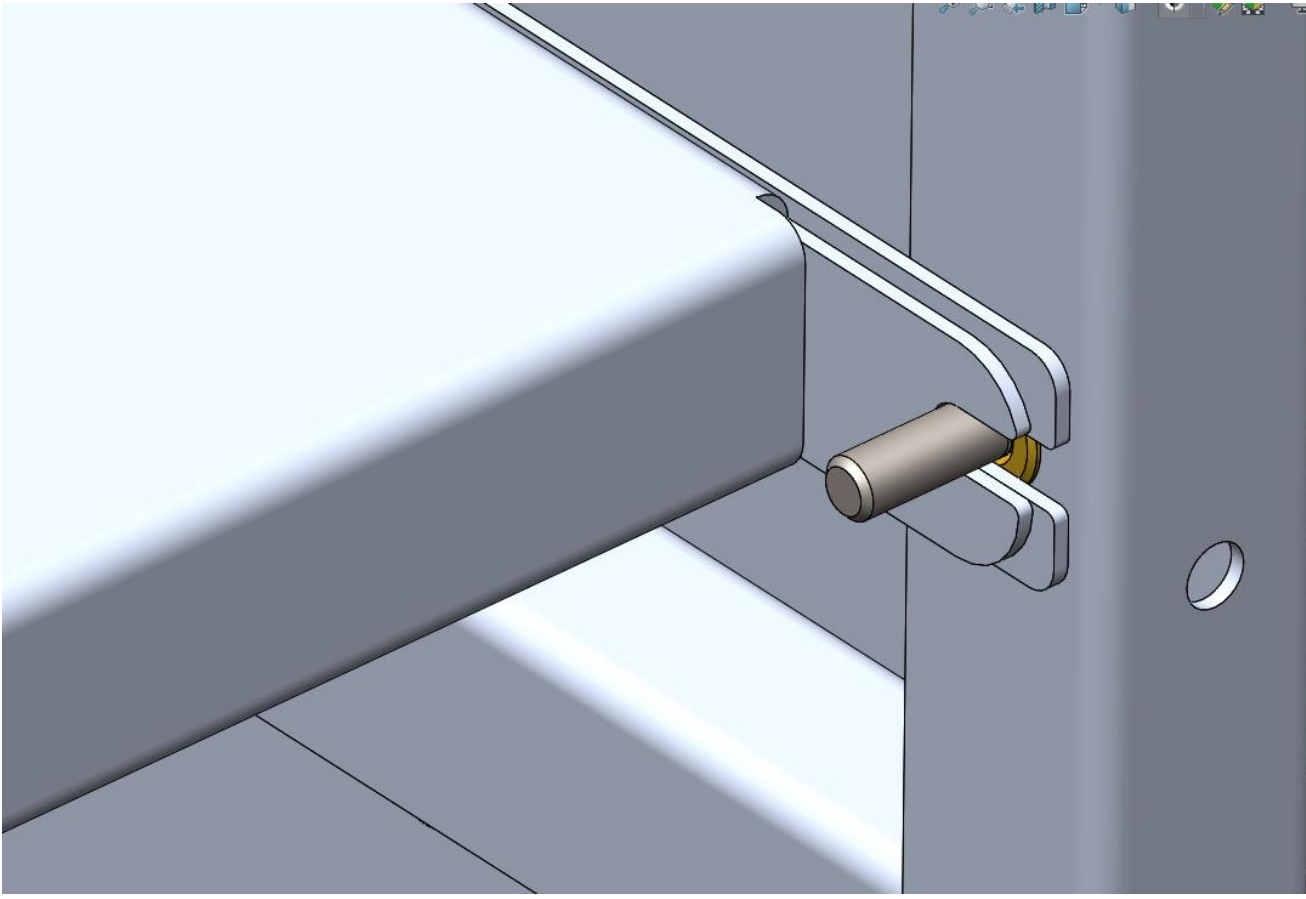
4x



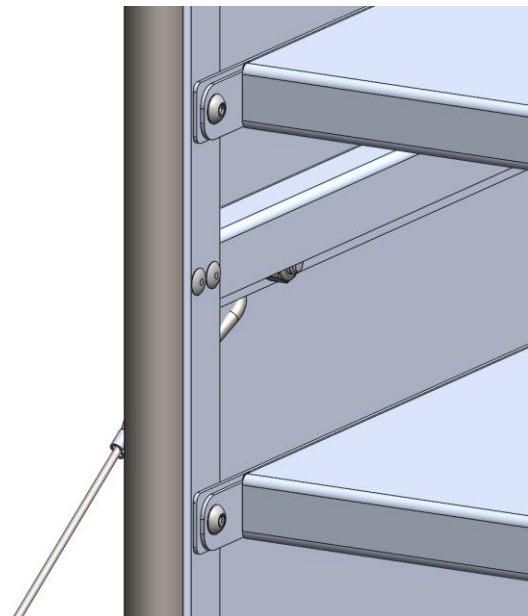
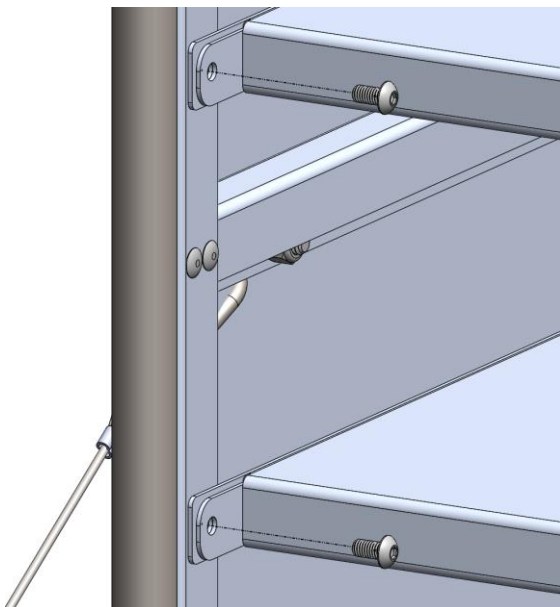
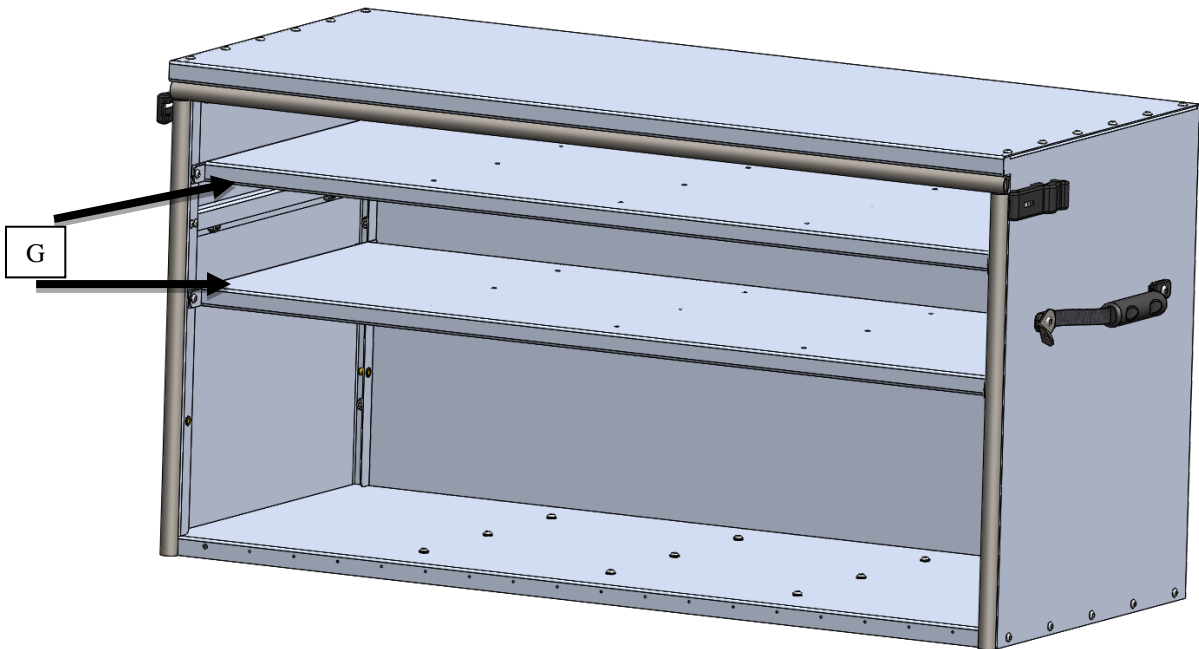
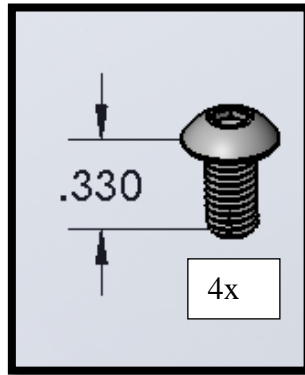
10. Bolt back panel [F] to box



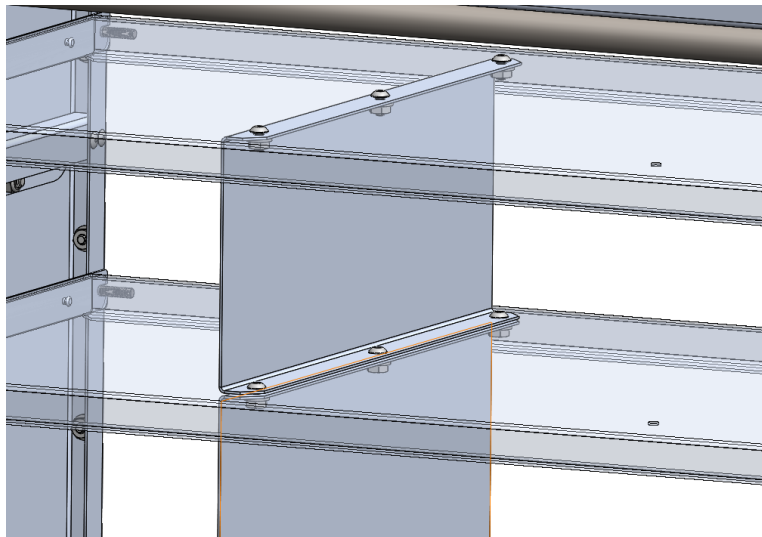
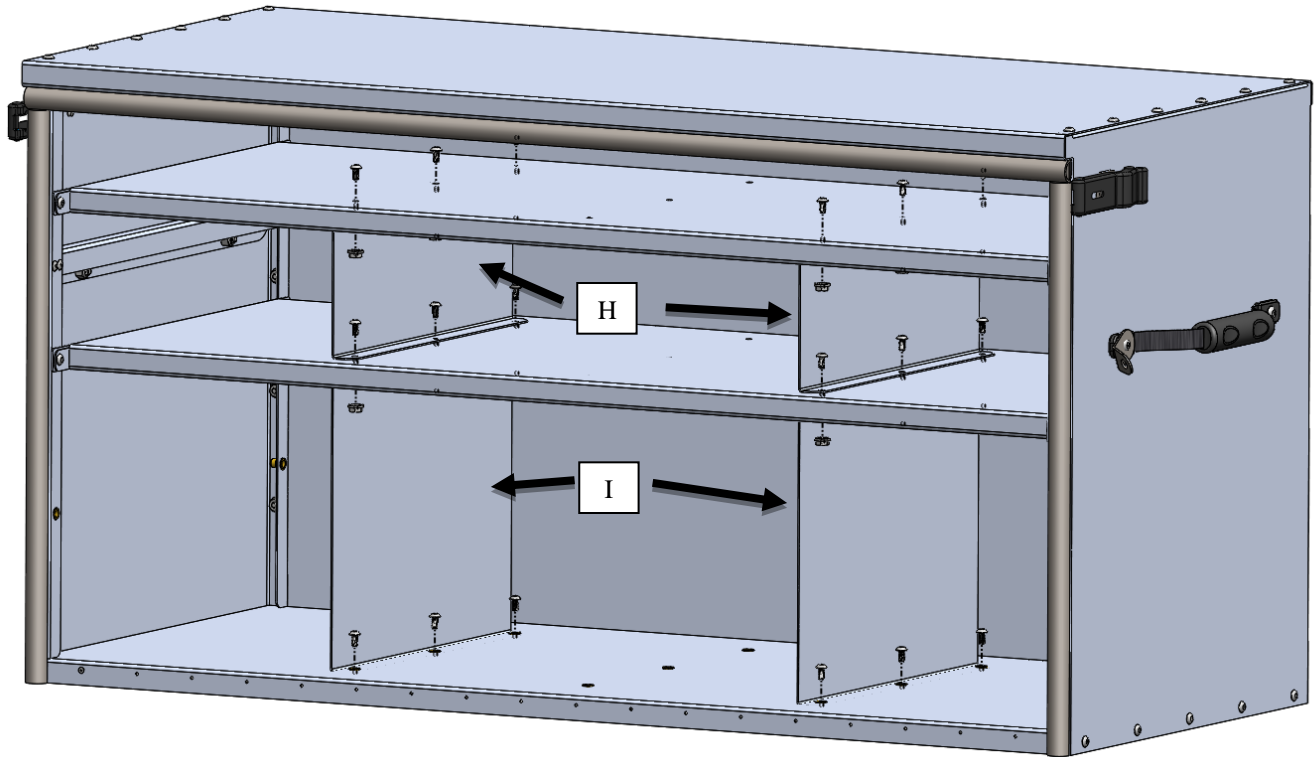
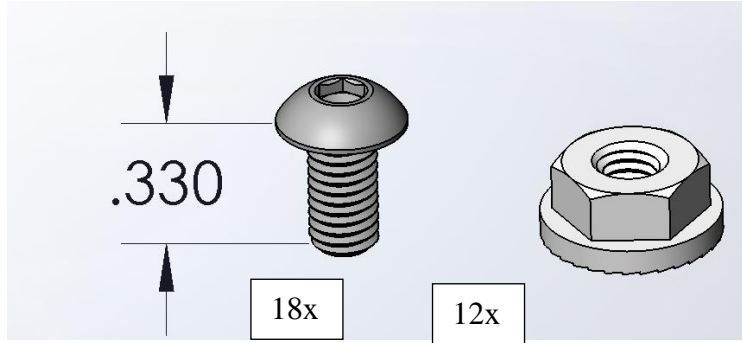
11. Slide the shelves onto the previously installed all-thread. This does not require hardware.



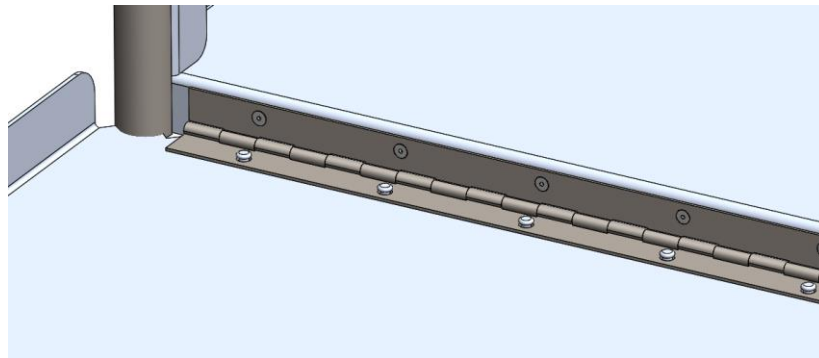
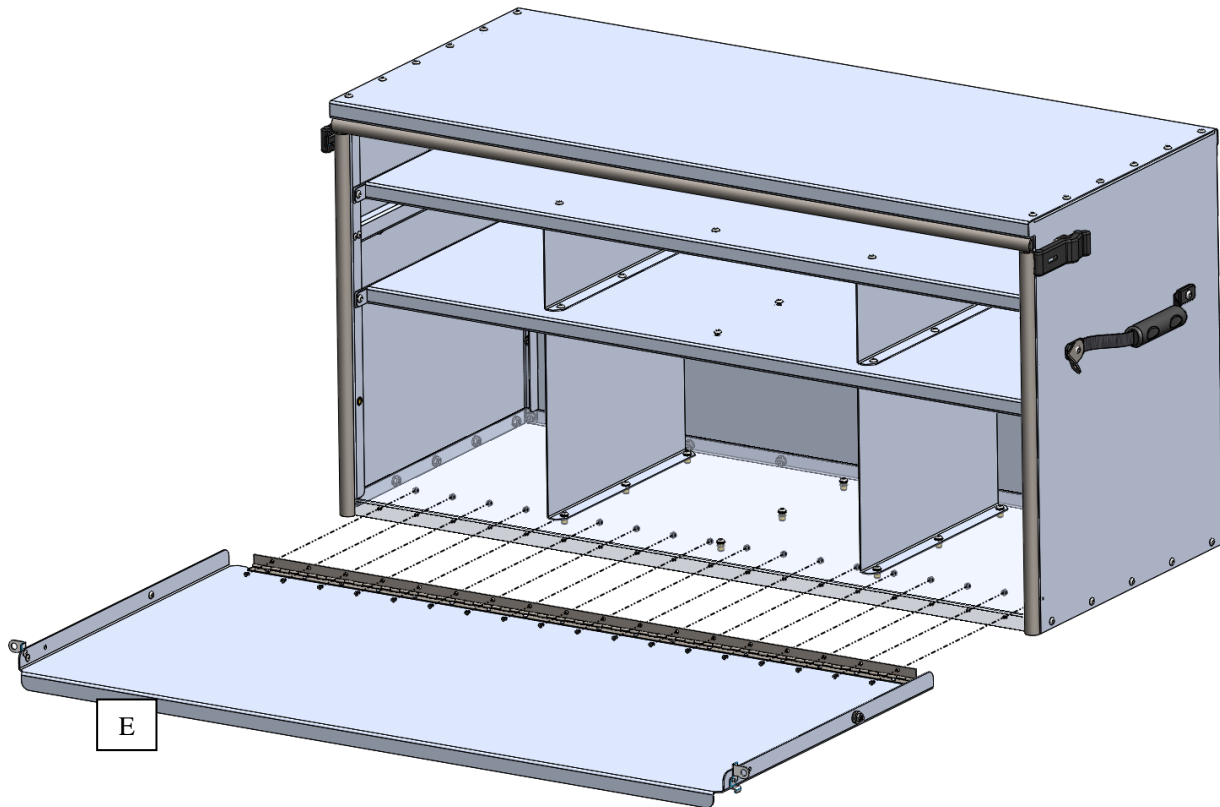
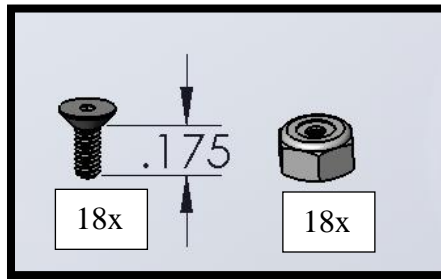
12. Secure shelves [G]



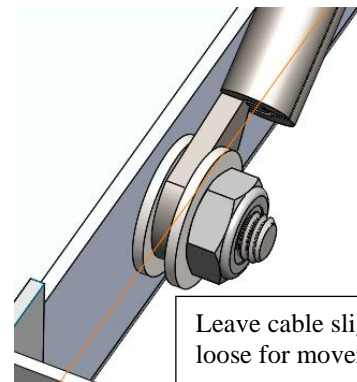
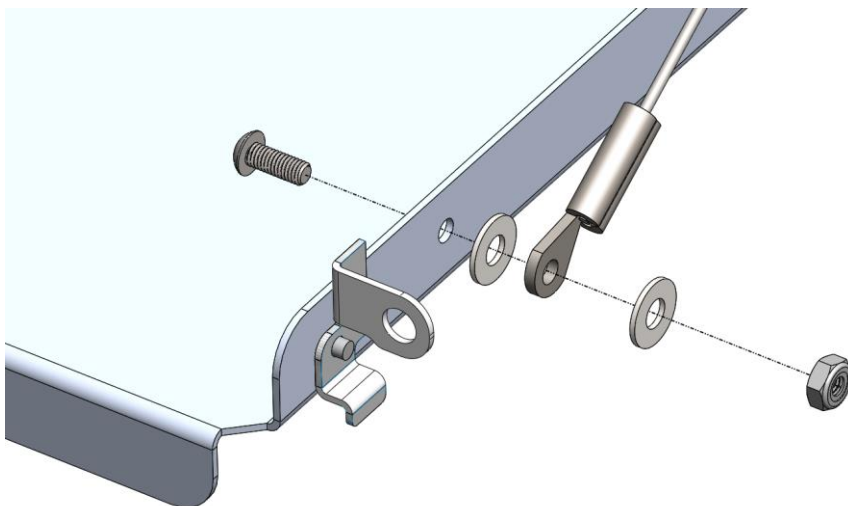
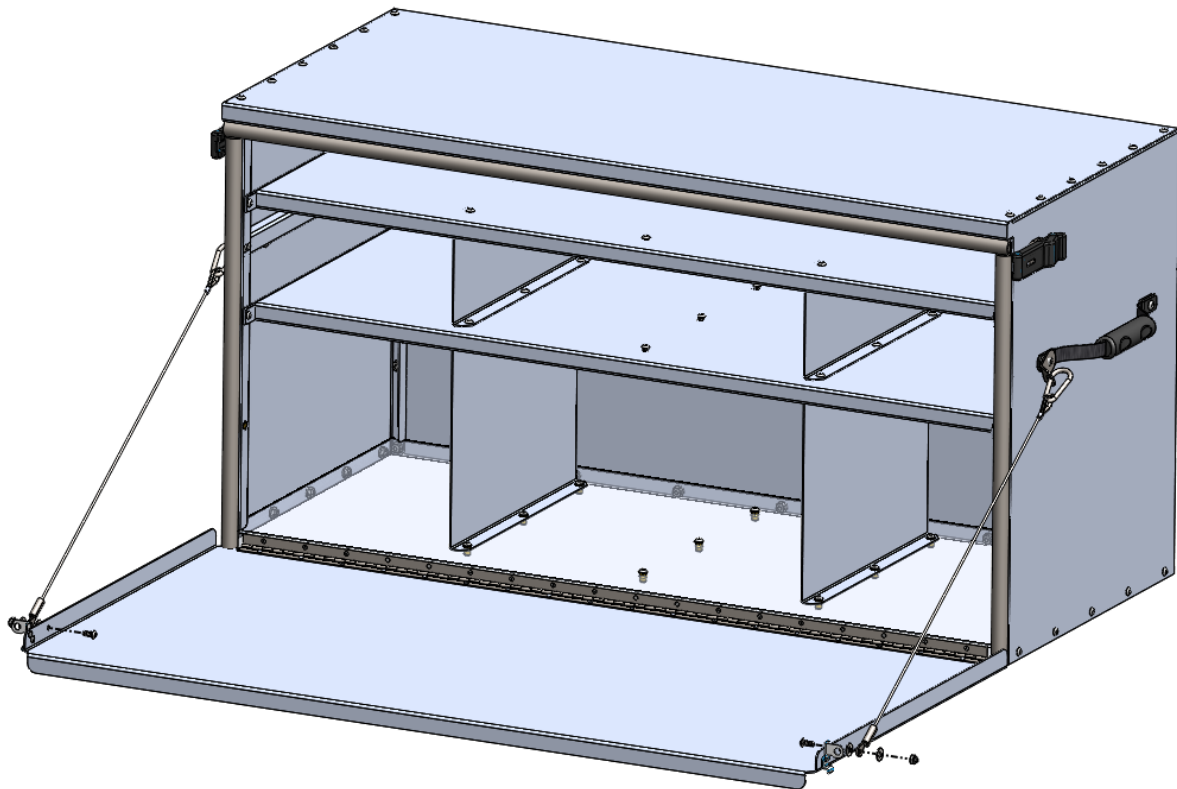
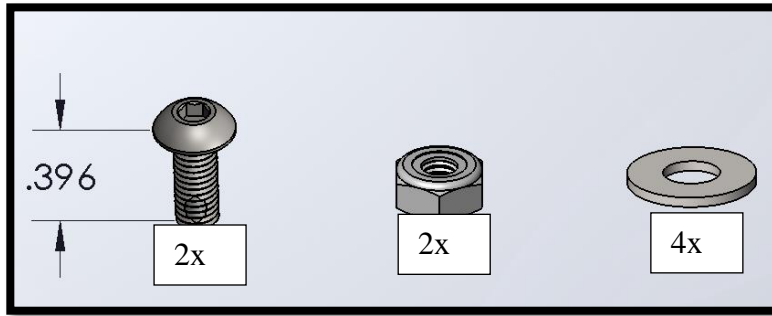
13. Install dividers [H] [I]



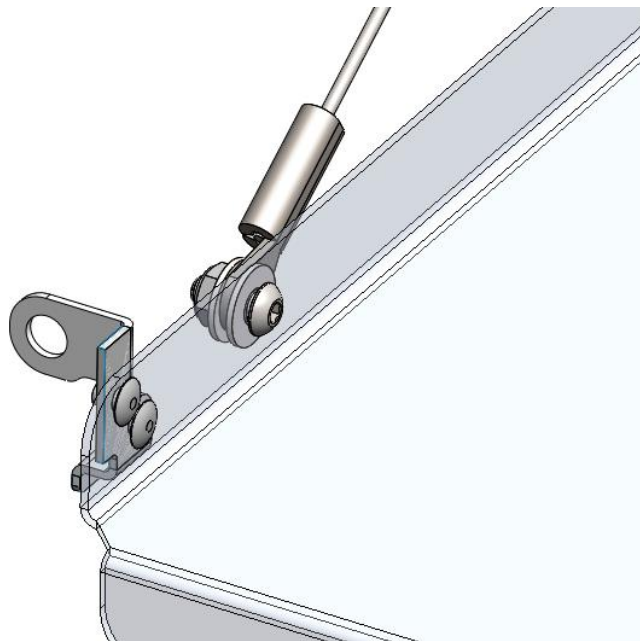
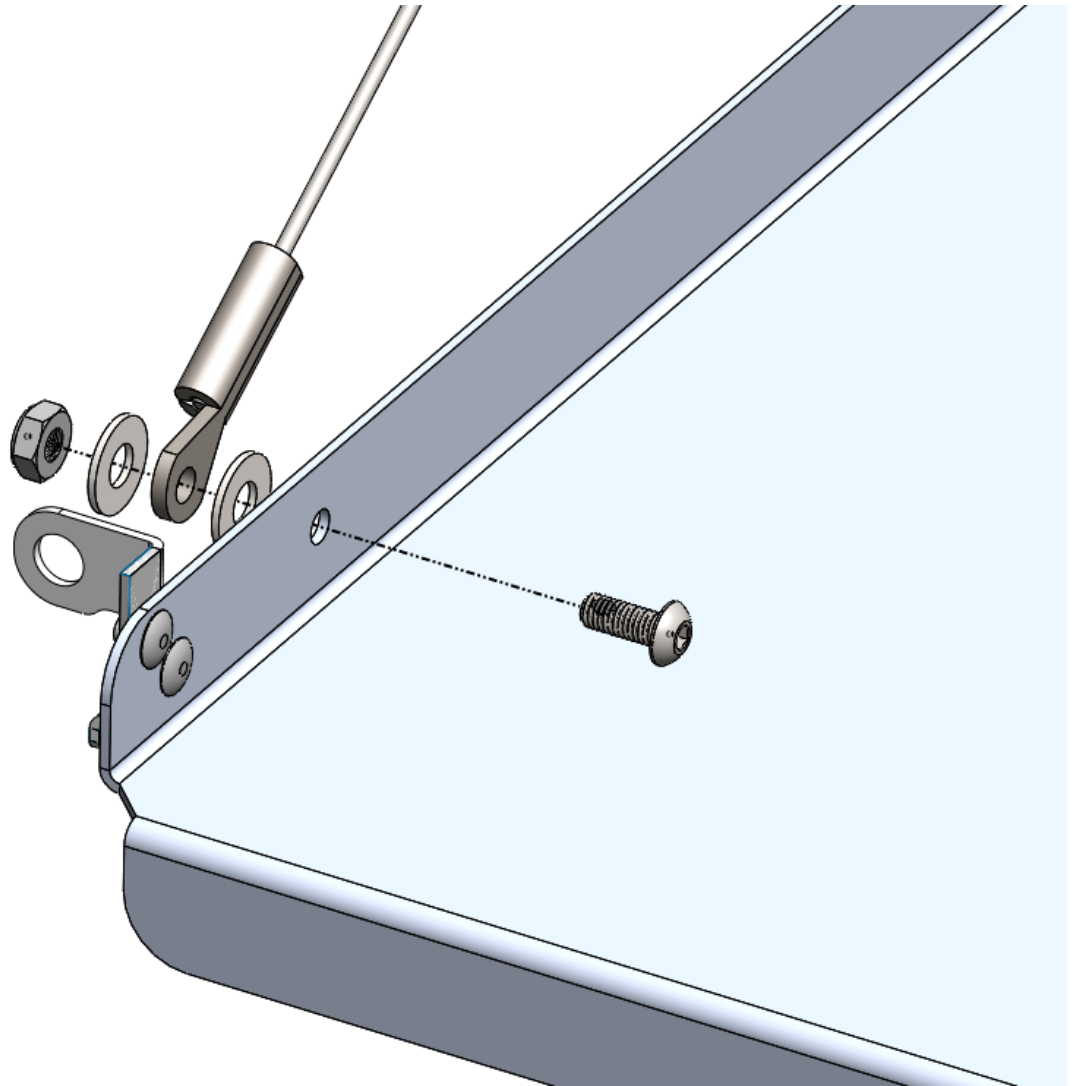
14. Fasten the door to the base of the box.



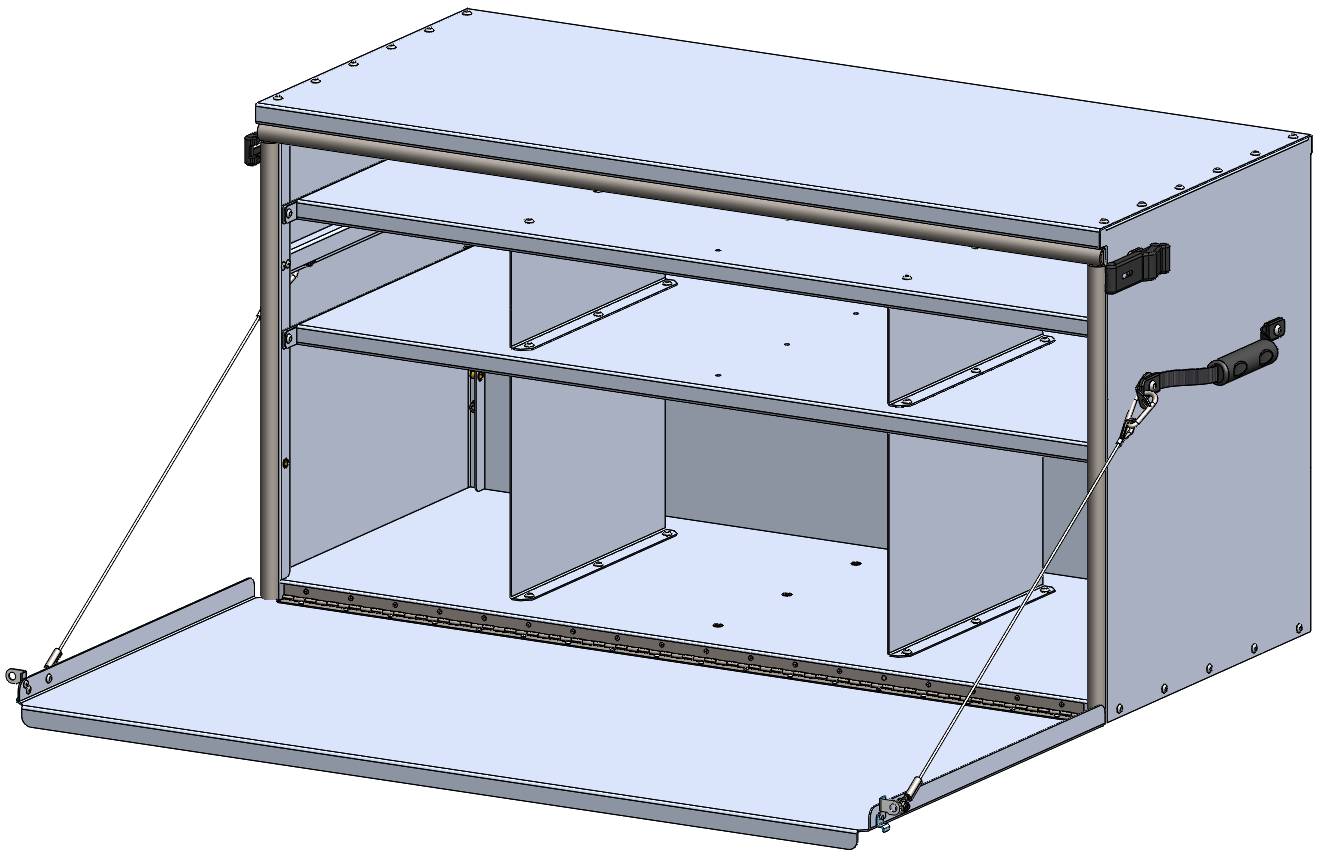
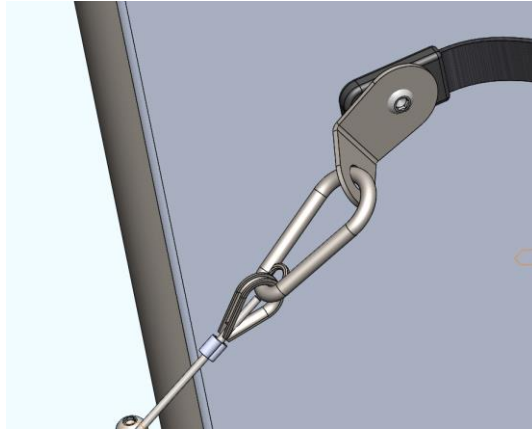
15 Attach door cables



Leave cable slightly loose for movement



16 Attach the door cables to the anchor point



Congratulations, you have completed assembly of your Out-In-About Box!
Fill as needed and *enjoy!*