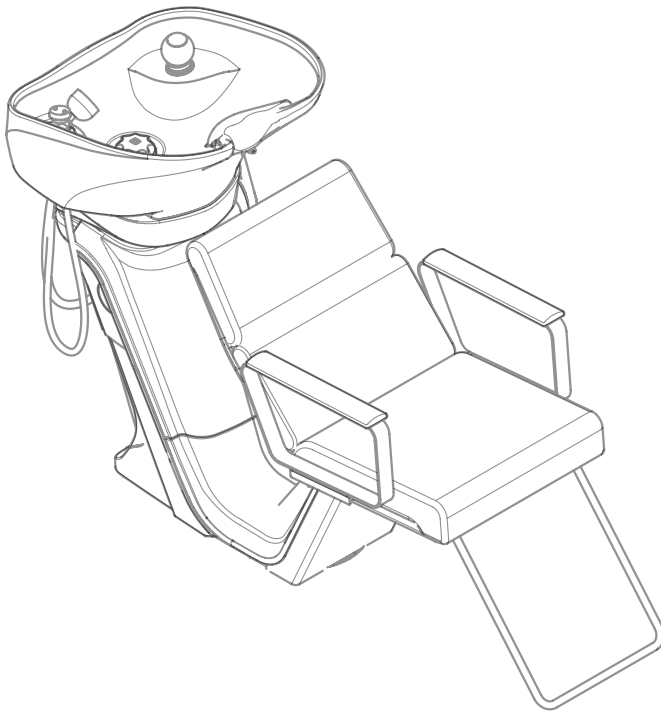


RS Adria II Installation Instructions

■ RS Adria II
(AY-P069X / SU-191BW)



Contents	
Before installation	2
Usage conditions	3
Content of packaging	4
Carrying the main body	5
1. Installation of Shampoo Unit	6
2. Piping	8
3. Attach the seat	10
4. Attach cover	11
Dimensions	12
After installation	13
Unit fixing position and Plumbing Layout	14

To the installer

- The instructions should be thoroughly read and understood before installation to ensure that RS Adria II is installed correctly.
- After installation, give these instructions to the customer.

To the customers

- Customers must ask professional to install RS Adria II .
- Customers must not install RS Adria II by themselves.
- Customers must store these instructions in a safe place so as not to lose them.

* The actual shape of RS Adria II and the images and dimensions listed in these instructions may be modified and are subject to change without notice.

- The precautions listed here are to ensure that RS Adria II can be installed safely, and to prevent any danger or risk to the person installing RS Adria II or those around them. All of these precautions are important for safety. Takara Belmont is not responsible for any damage or risk to the person installing RS Adria II or those around them due to accidents if RS Adria II is installed without adhering to the precautions.

⚠ Caution

If RS Adria II is installed after ignoring this symbol, "there is the risk of light or moderate injury or physical damage".

Note : Plumbing should be performed by a qualified technician and should meet all national and local plumbing codes and ordinances. It is the responsibility of purchaser and/or plumber to conform to national and local codes and ordinances. Takara Belmont does not take any responsibility or liability for plumbing and installation.

Before installation

■ Installation of pipes

The following are important points to adhere during the installation of pipes.

Read through the details carefully and ensure that the pipes are installed correctly.

- When installing this product, ensure that installation of pipes adheres to the instructions outlined in "Precautions during installation of pipes". Installing pipes without reading through the precautions will mean water may not mix properly, and a set temperature will not be achieved.
- This product is designed for indoor installation. Always install this product indoors.

■ Precautions during installation of pipes

- Do not use pipes made of materials that may introduce rust for the water supply pipe.
 - In general, VP pipes or other materials specified by regulations in that particular region, are recommended for installation.
- In general, Type L deoxidized copper pipes are recommended for hot water pipes.
- In general, the same diameter and same pressure is recommended for hot water pipes and water supply pipes.
- Always use a reamer to deburr the ends of cut pipes.
- Avoid using inverted U-shaped pipes (siphon) as these can cause air to become trapped.
- Always connect hot water pipes and water supply pipes after removing all contaminants such as dirt, sand and oil as these can cause problems.
- After connecting the pipes and testing water flow, clean the filter and shower head.
- Ensure that the drain pipe is installed at a gradient of 1/50 for a diameter of ϕ 75 or less, or 1/100 for a diameter of ϕ 75 or more.
- Do not connect the hot water pipes and water supply pipes in reverse.
 - Connecting pipes in reverse will mean the temperature of water cannot be controlled properly by the water taps, which can cause problems including burns.
- Ensure that the hot water pipes from water boilers are only run over a short distance so as to minimize resistance.
 - Longer pipes can cause fluctuations in temperature and poor hot water delivery.
- Always wrap pipes with lagging material after installation is complete.
- Water boiler pipes
 - In general, the same diameter and same pressure is recommended for main hot water pipes and main water supply pipes.
 - Ask professional to install water boiler.
- Equipment comes with hair catchers installed.
- Avoid the anchor positions when installing the pipe risers.

■ Request measures to prevent water leakage under the floor and downstairs

Be sure to take the necessary precautions to prepare for and prevent possible water leaks.

- Use waterproof flooring materials.
- If the floor has an opening, cover the opening when completing the interior finishing (waterproofing).
- Install all pipe gaskets.

■ Floor surface

- Ensure that the material or finishing of the floor surface is waterproof or has a waterproof coating applied.
- Always ensure that the floor surface is horizontally level.
- Ensure that the floor surface is smooth and free from bumps around the attachment areas.

○Pipe risers

Hot water / water supply	Rc 1/2"; pipe risers from floor; rise dimensions: hot water 60 mm; water 60 mm
Drainage	VU40/VP40; pipe risers from floor; rise dimensions: 100 mm

○Changing the pipe form RS1

The pipe risers for hot water and the water supply and drainage for RS1 can be used without changing the pipe.

Hot water / water supply	Rc 1/2"; pipe risers from floor; rise dimensions: hot water 90 mm; water 90 mm
Drainage	VU40/VP40; pipe risers from floor; rise dimensions: 90 mm

○Changing the pipe form NRS

Adjust the rise so that the height of the NRS drainage will be 110 mm. The pipe risers for the hot water and the water supply can be used without changing the pipe.

Hot water / water supply	Rc 1/2"; pipe risers from floor; rise dimensions: hot water 80 mm; water 110 mm
Drainage	VU40/VP40; pipe risers from floor; rise dimensions: 110 mm

○If the floor surface is tiled, cracks may occur when fastening the bolts during installation of the RSIII main body.

If this looks likely to happen, use the main body attachment diagram and template as a reference and change the material of the attachment area that is in contact with the floor to another such as plywood or mortar.

○The following levels of strength are required for the floor surface.

Wooden floor	Plywood thickness of 30 mm or more (two 15 mm sheets joined together)
Mortar floor	Mortar thickness of 50 mm or more
Special floor (stone finish)	A foundation with levels of strength listed above around the installation areas is required.

Usage conditions

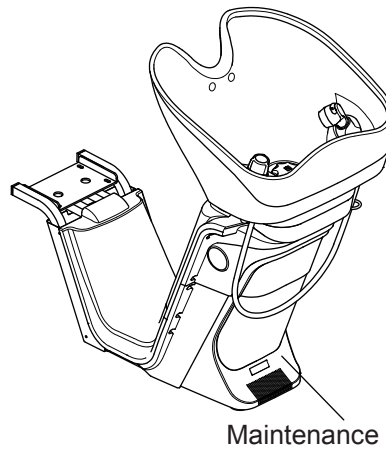
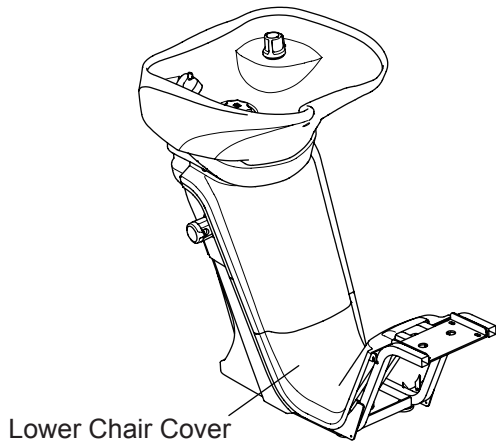
■ Hot water supply and water supply conditions

Water used	<ul style="list-style-type: none"> Public water supply (do not use non-drinkable well water or water that contains rust or sand.) If the water hardness is 80 ppm or higher, install a water softener to prevent the buildup of scale within the basin body. Aeration may be minimal when using shampoo even if drinkable well water is used, so a water softener should be installed.
Hot water supply, water supply pressure	<ul style="list-style-type: none"> Use a pressure between 0.1 and 0.4 MPa (1 to 4 kgf/cm²). If multiple RSIII are used, ensure that the pressure does not drop below 0.1 MPa (1 kgf/cm²). Set the water supply pressure ≥ hot water supply pressure. Set the difference between the hot water supply pressure and water supply pressure to within 0.2 MPa (2 kgf/cm²).
Hot water temperature into the product	<ul style="list-style-type: none"> Set the hot water temperature to 80°C or less. Set the temperature 10°C or higher than the shower temperature used.
Water boiler	<ul style="list-style-type: none"> Do not use steam with the hot water supply.

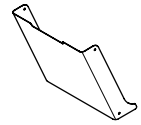
Content of packaging

● Shampoo Unit Side (AY-P069X)

□ Shampoo Unit



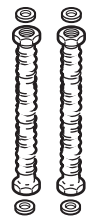
□ Lower-front Chair Cover



□ Neck cushion



□ Flexible pipe (2) (※)



(L=200mm)

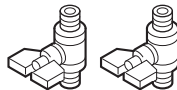
□ Drain cap



□ Hair catcher



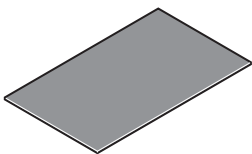
□ Water stop valve(2) (※)



□ Drain hose packing (※)



□ Pipe packing



□ Drain hose clamp (※)



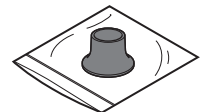
□ Wrench (※)



□ Hexagonal Wrench



□ Trickle stopper rubbes



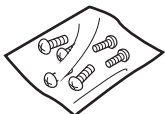
□ Check valve(2)(For North America only)

□ Flow Regulator(2)(For North America only)

□ Braid hose L=600mm(2)(For North America only)

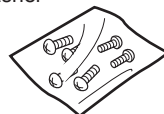
□ Screw Set for Cover

M4 x 16 truss-head tapping screw 4 pcs.
M5 x 12 truss-head tapping screw (with PE packing) 2 pcs.



□ Shampoo Unit Floor Screw Set

M8 x 70 anchor bolt 6 pcs.
M8 x 65 hexagonal tapping bolt 6 pcs.
Plain washer 6 pcs.

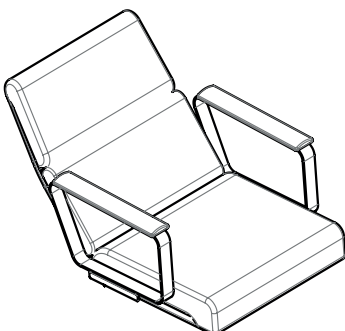


- Operation Instruction Manual
- Installation Instruction Manual
- Operation Instruction Manual for Trickle stopper rubber
- Shower Head Cleaning Manual(※)
- Setting Sheet(※)

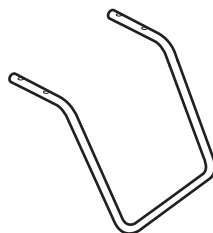
Note. For North America, the part marked "※" is not included.

● Chair Side (SU-191BW)

● Chair Main Unit



● U-shaped Step



● Backrest cover

- Chair Fixing Screws
M8 x 20 Hexagonal head bolt (with plain washer/spring washer) 4 pcs.

- Step Fixing Screws
M8 x 30 Hexagonal head bolt (with spring washer) 4 pcs.

Carrying the main body

■ Carrying in the Shampoo Unit

- 1 Detach the lower chair cover and the maintenance cover from the shampoo unit.

⚠ Caution

Place the detached covers in a safe area.

- 2 Detach the shampoo unit from the skid.

While supporting the shampoo basin with the hands, remove the hexagonal head bolts (Phillips head)(M8 x 50) from the shampoo unit base (four locations).

- *Return the skid to the company after installing the shampoo unit.
Do not remove the iron plate mounted on the skid.

⚠ Caution

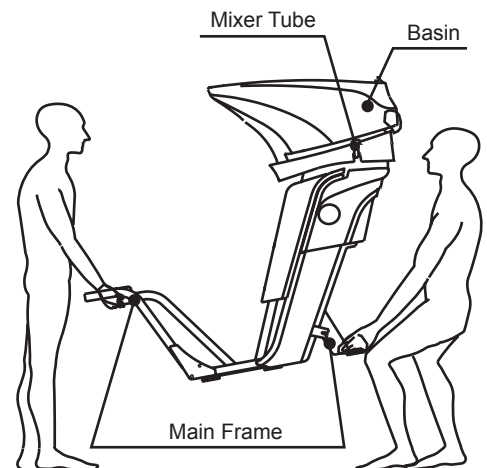
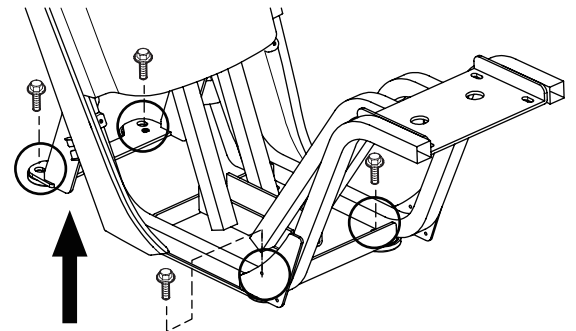
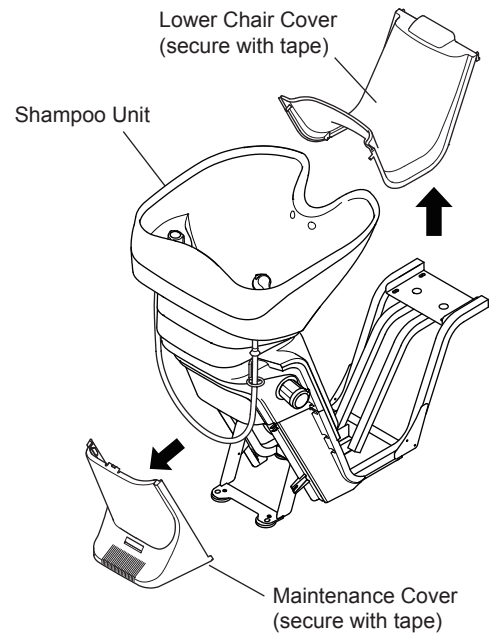
Always have at least two people to carry the main body and hold the basin when remove the bolt. Otherwise the basin is likely to fall.

- 3 Precaution for carrying the shampoo unit

When carrying the shampoo unit, be sure to hold it by the frame.
Do not hold it by the mixer tube located on the side of the basin.

⚠ Caution

- When carrying the basin unit, be careful not to hold it at the basin part. The basin may move depending on the product specifications. Be sure to carry it by holding it at the frame.
- Since the basin unit tends to tumble, be sure to carry the basin while maintaining balance.
- Do not carry the basin with the parts on it.
- Never hold the basin unit (ceramic work) at the band end. Failure to follow this instructions may result in breakage of the basin.
- Do not hold the main body cover. Doing so may cause damage to the main body cover.
- Take care when handling the basin as it is heavy and fragile.
- Do not drag the unit. The foot part of the basin is made of steel, so dragging it may damage the floor surface or crack the basin itself.
- The basin may become damaged if scratched by metallic objects such as watches or belts. Remove all metallic objects such as watches when carrying the basin.
- Take extra care to ensure not to damage the covers.
- Do not touch the basin body pipes. Doing so may cause water leaks.
- The basin is unstable when it is not fixed to the floor.



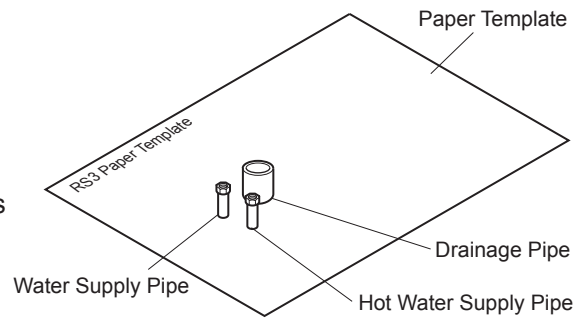
1 Installation of Shampoo Unit

1 Marking the bolt anchor points

- (1) Set the dedicated paper template on the floor, and align it with the water, hot water, and drainage pipe risers.
- (2) Mark the bolt anchor position of the basin main unit.
- (3) Drill holes at the bolt anchor position of the basin main unit.
- (4) Remove the paper template.

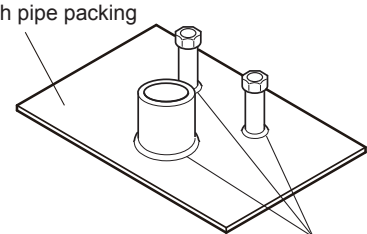
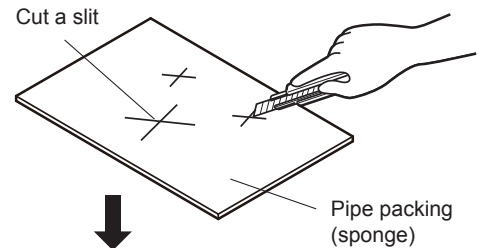
■ Request measures to prevent water leakage under the floor and downstairs. Be sure to take the necessary precautions to prepare for and prevent possible water leaks.

- Use waterproof flooring materials.
- If the floor has an opening, cover the opening when completing the interior finishing (waterproofing).
- Install all pipe gaskets.



2 Attach pipe packing

- (1) Cut a slit in the pipe packing to suit the position of the pipes to be installed.
- (2) Peel away the sheet from the adhesive surface of the pipe packing and stick to the floor surface.
- (3) Cut out a circle around the slit cut in the pipe packing to suit the pipe surface, and fill in any gaps with caulking materials.



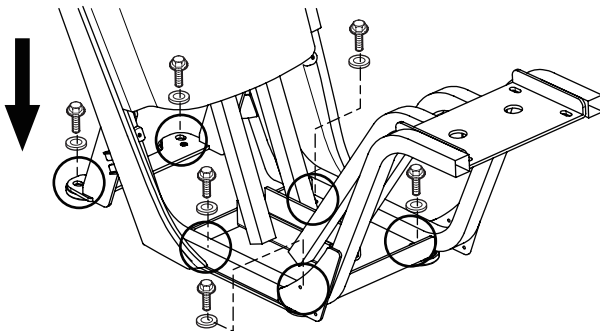
* Apply caulking materials to any gaps

Caution

- Always attach pipe packing and apply caulking materials to the areas around the pipes so that there are no gaps, in order to prevent condensation within RSⅢ or water seeping on the floor in the event of water leaks.
- If pipe packing is not used, condensation may cause water to pool on the floor, structural parts may start degrading and malfunctions may occur.

3 Fixing the Shampoo Unit on the Floor

Align the shampoo unit with the marked positions on the floor and anchor the unit with the bolts (six locations).



Bolts to be used (supplied with the shampoo unit):

- Plywood Floor
Hexagonal head tapping bolt + plain washer
(8 mm x 65)
- Concrete Floor
Anchor bolt + plain washer
(M8 x 70, Pilot drill hole 8.5 mm)
(Use the wrench with the opposite side distance of 12 mm.)

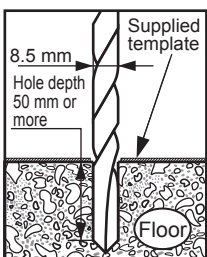
Caution

Be sure to use a plain washer when securing the bolt.

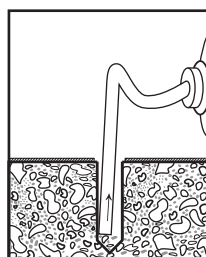
Caution

The strength of the anchor bolts will be reduced if they are hammered into the hole while touching the bottom. Open up a gap.

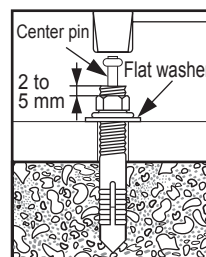
● Installation process for anchor bolts



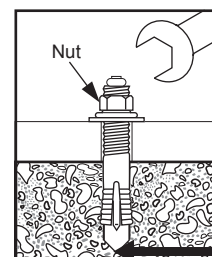
- (1) Drill open a hole of the specified diameter and depth.



- (2) Remove the dust from each anchor hole by cleaning with a vacuum cleaner.



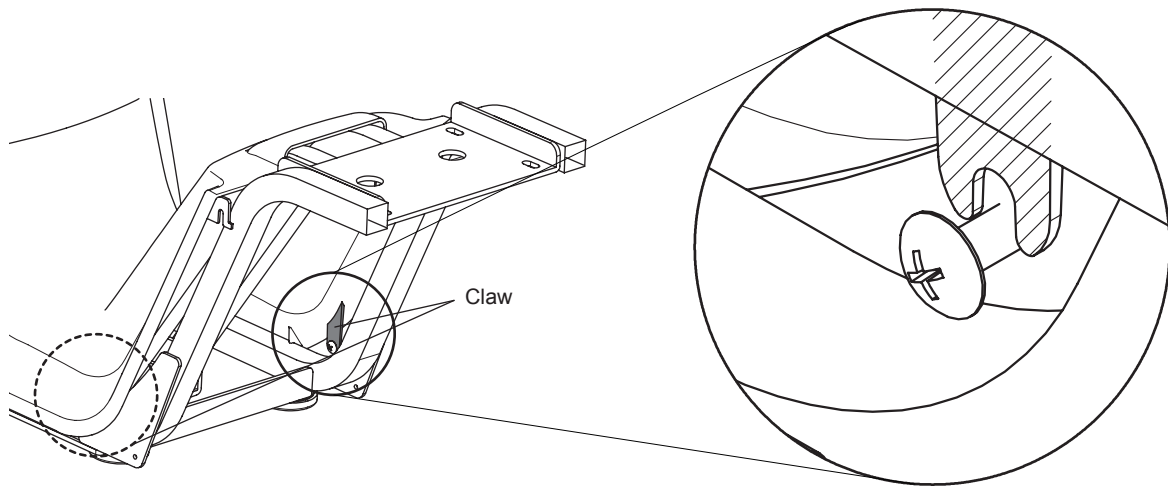
- (3) Insert the anchor bolt and tap it with a hammer until the center pin makes contact with the base plate.



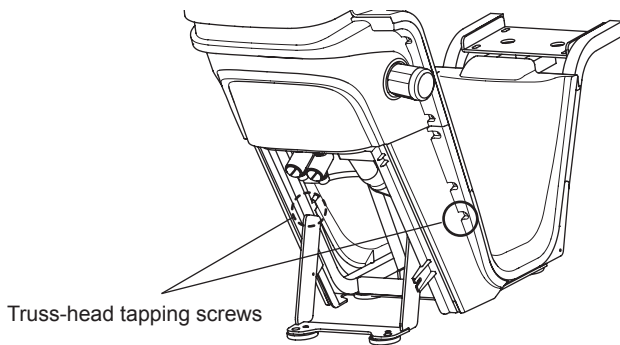
- (4) Adjust the fastening strength of the nut using a wrench.

4 Installing the Lower Chair Cover

(1) Set the lower chair cover so that the claw of the cover will hang on the tentatively fixed truss-head screw (M5 x 12).

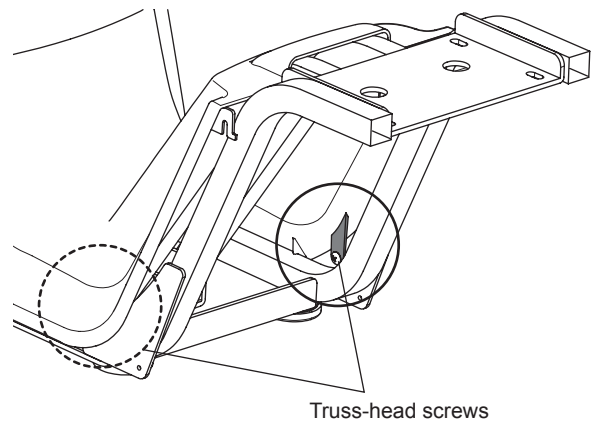


(2) Secure the cover with the truss-head tapping screws (two locations).



Screws to be used (supplied with the shampoo unit):
Truss-head tapping screw (M4 x 16)

(3) Fully tighten the truss-head screws (two locations).



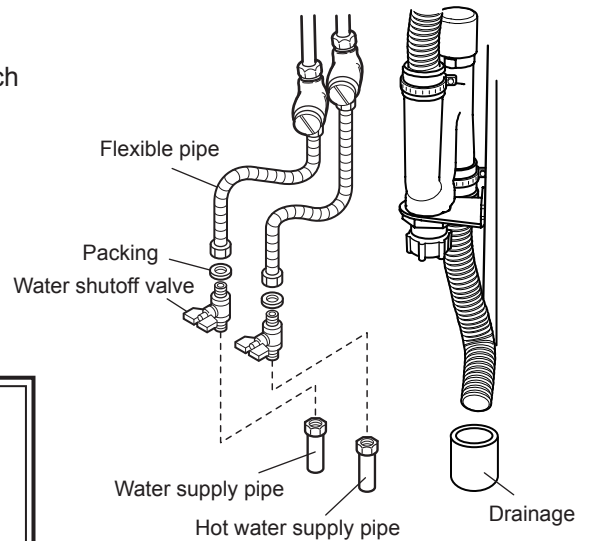
2 Piping

<excluding AY-P073X,AY-074X>

1 Installing the Flexible Pipe

Before connecting the pipes, remove any waste from the pipes, such as dust, dirt, sand, or oil. Connect the water shutoff valve to the hot water/water supply pipes. Then, apply the furnished packing to the flexible pipe and connect the pipe to the water shutoff valve.

- Be sure to use the furnished packing. Failure to use the packing may result in water leaks.
- Be careful to avoid connecting the pipes for hot water and water adversely.

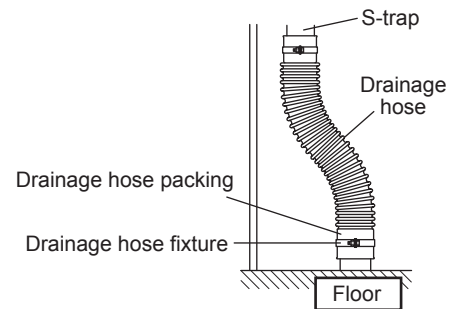


Caution < Changing the pipe form RS1/NRS>

A flexible pipe of L = 200 mm is supplied with the product. When changing the pipe, the length of the flexible pipe may not be correct. Prepare flexible pipe in the appropriate length for the work before implementing the replacement or change.

Caution

When changing the pipe from NRS, the height (rise) of the drainage pipe must be adjusted. Detach the joint connected to the drainage pipe and make the adjustment so that the height (rise) of the drainage pipe is 110 mm. When changing the pipe from RS1, the pipe can be used as is. (Height of drainage riser = 90 mm)

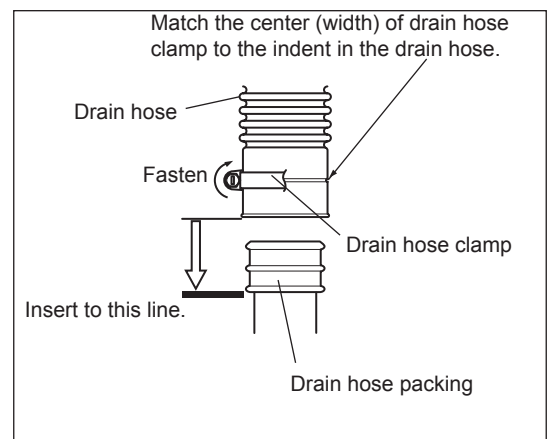
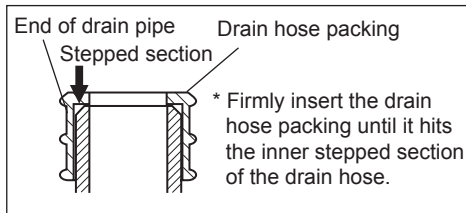
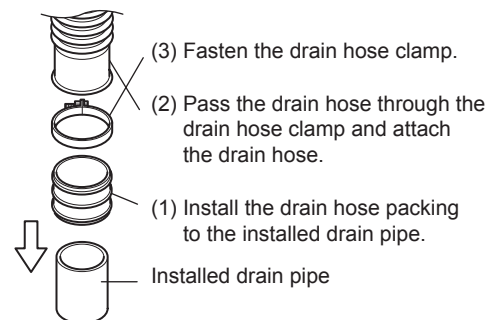
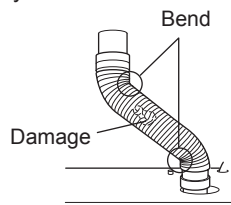


2 Attach drain hose to installed drain pipe

Caution

- Check that the drain hose is not bent or damaged. This may affect water flow or damage the drain hose.
- Check that the drain hose clamp is firmly fastened. If it is not fastened, water may leak or the drain hose may come loose.
- Check that the hose is not in the shape of an Double trap.

An Double trap can adversely affect the flow of drainage water. If the drain pipe layout causes an Double trap to be formed, check the installation position of the basin body and piping dimensions, and make the necessary adjustments.



3 Test water flow

⚠ Caution

Always test the water flow to prevent accidents during use.

* Test the water flow and inspect the following items. The hot water may be slightly tainted at the start of the water flow test, however this does not indicate any problem.

* For safety reasons, the product's thermostat is designed so that the hot water does not exceed 53°C.

(if the supply pressure is the same, water is 20°C and hot water is 60°C)

(1) Is there no water leaking from the pipe joints?

The pipe joints may come loose during transportation, so check the joints within the basin thoroughly.

(2) Are the hot water supply and water supply pressures at the same, stable pressure?

If the pressure is not the same, see "How to adjust faulty temperature regulation" below.

(3) Can temperature be controlled properly?

(4) Check that the shower outlet flow is sufficient, by the following as a guide for flow rate.

Shower outlet flow rate

Hot water supply pressure, water supply pressure: 0.1 MPa each	
Shower outlet temperature	: 40°C

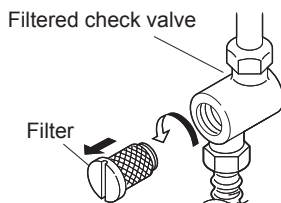
Aeration shower head	: Approximately 8 L/min
Spa shower head (Aeration)	: Approximately 8 L/min
(shower)	: Approximately 9 L/min

● Cleaning

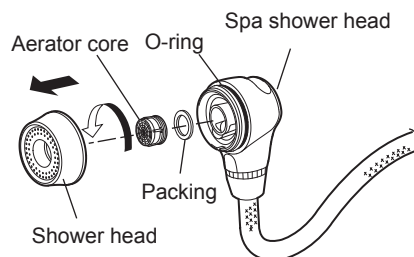
After the hot water becomes clear during the water flow test, always clean the filter (within the check valve) and shower head.

Failure to do so can result in insufficient flow rate and faulty temperature regulation.

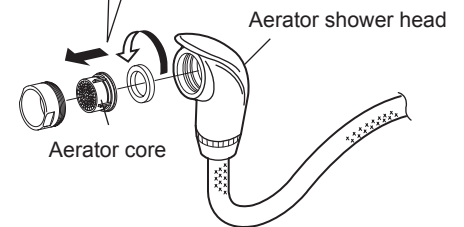
Remove and clean any dirt trapped within the filter pipe



Remove and clean any dirt trapped within the shower head



Detach the aerator core by using the furnished wrench.



— How to adjust faulty temperature regulation —

○ Contents of defect

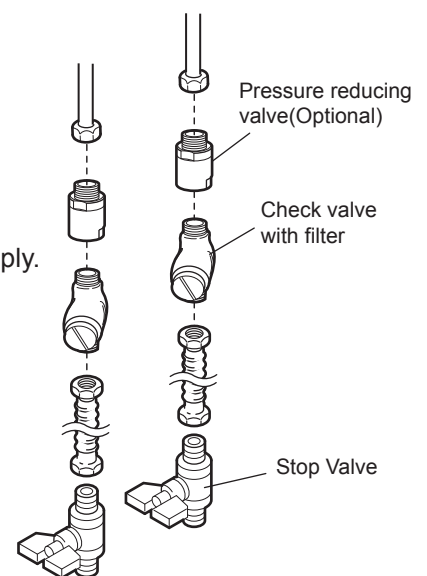
1. Something wrong with hot water (Temperature is unstable)
2. Hot water (high temperature) does not come out
3. Water (low temperature) does not come out

○ Presumed cause

1. There is difference in the water supply or hot-water supply pressure, or the pressure of hot water supply is higher than the pressure of water supply. the pressure of water supply \geq the pressure of hot water supply
[The difference should be in the range of 0.2MPa]
2. Pressure of water supply and hot water supply is high
[These two should be in the range between 0.1 and 0.4MPa]

○ How to react

Connect a pressure reducing valve (Optional) on the upper side (mixer side) of the filtered check valve, then adjust the pressure.
(It is recommended that water supply pressure and hot water supply pressure become the same pressure)

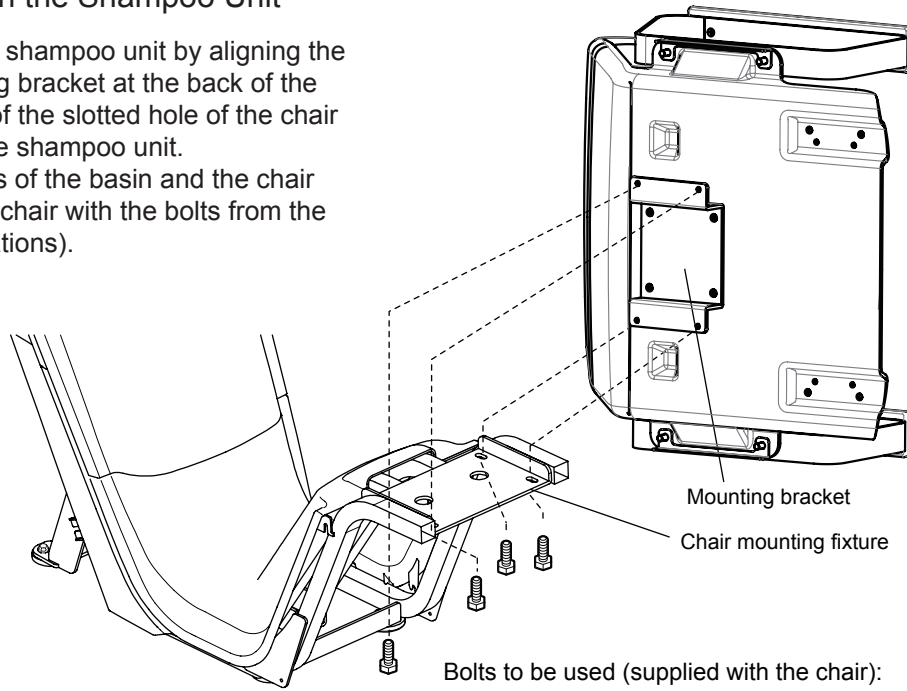


3

Attach the seat

1 Installing the Seat on the Shampoo Unit

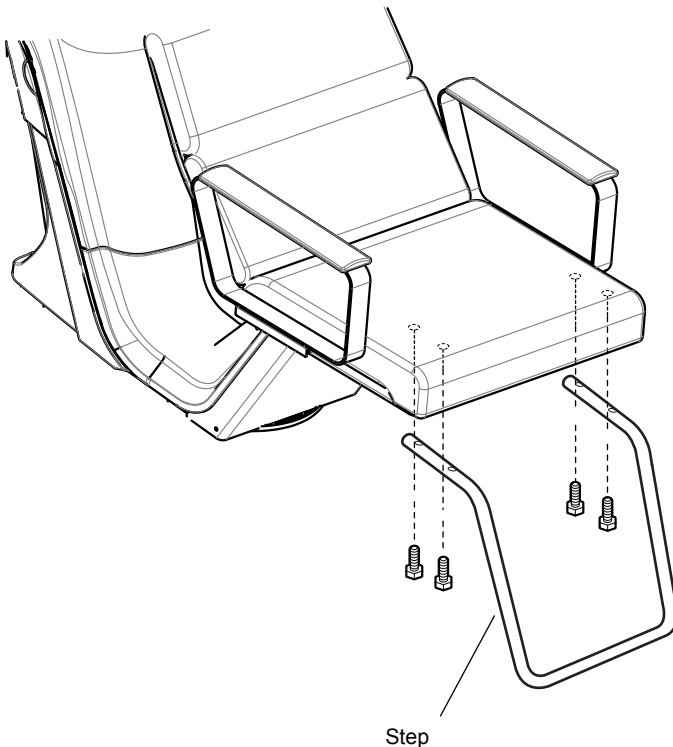
- (1) Place the chair on the shampoo unit by aligning the center of the mounting bracket at the back of the chair and the center of the slotted hole of the chair mounting fixture of the shampoo unit.
- (2) Check that the centers of the basin and the chair align, and secure the chair with the bolts from the bottom side (four locations).



Bolts to be used (supplied with the chair):
Hexagonal head bolt (M8 x 20)
(With spring washer and plain washer)
(Use the wrench with the opposite side distance of 12 mm.)

2 Mounting the Step (U-shaped Step)

Using the holes provided at the base of the step, fix the step with bolts from the bottom side of the seat (4 locations).

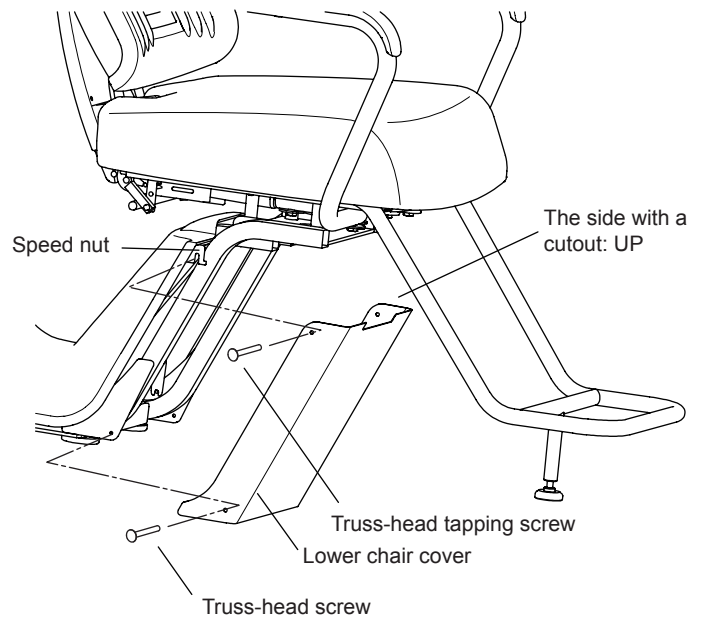


Bolts to be used (supplied with the chair):
Hexagonal head bolt (M8 x 30)
(With a spring washer)
(Use the wrench having the opposite side distance of 12 mm.)

1 Mounting the Lower-front Chair Cover

- (1) Mount the truss-head tapping screws to the upper part (speed nut portion) of the lower-front chair cover (two locations).
- (2) Mount the lower-front chair cover to the shampoo unit with the truss-head screws (two locations).

Screws to be used (supplied with the shampoo unit):
 Truss-head tapping screw (M4 x 16)
 Truss-head screw (M5 x 12) (With PE gasket)



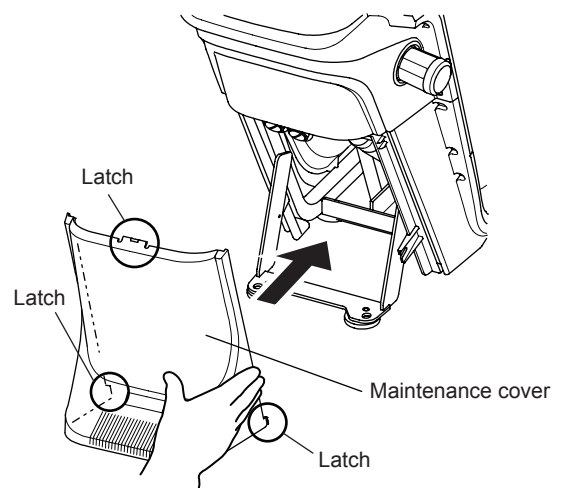
2 Mounting the Maintenance Cover

The maintenance cover can be mounted simply by hooking the three latches on the main unit.

First, hook the latch on the upper side, and then hook the two latches on the lower side.

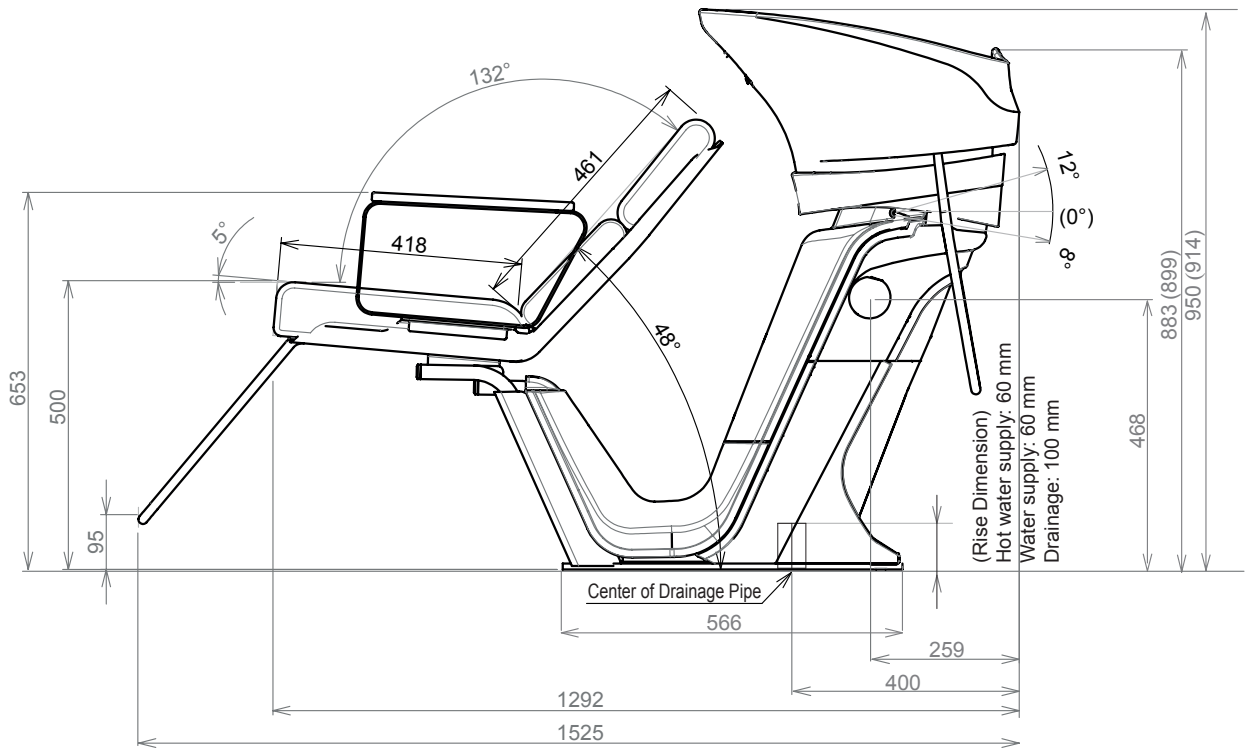
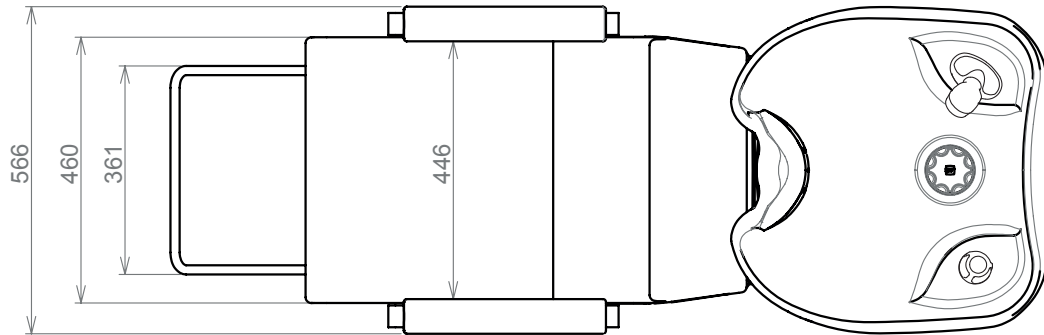
Caution

Check that the maintenance cover is attached securely by the three latches. If the cover is not attached securely, there is a possibility that water may enter the inside, resulting in a system failure.



Dimensions

(Unit:mm)



After installation

● Inspection

Inspect the following items.



Caution

Be sure to execute the inspection without fail to prevent accidents during operation.

- (1) Check that there are no missing screws or other parts.
- (2) Check that there are no loose parts on the shampoo unit or the chair. If any part of the shampoo unit or the chair is loose, check the bolts at the joints again.
- (3) Check that there are no cracks or contamination on the basin.
- (4) Check that there are no problems, such as flaws on the external appearance.
- (5) Check that there are no water leaks on the floor.

● Attach neck cushion on the basin

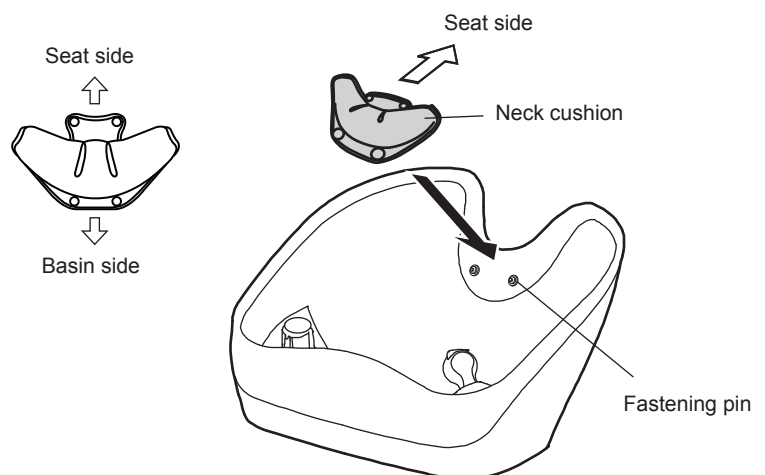
Execute the installation using the following procedures:

- (1) Set the neck cushion to the end of basin in the direction as shown in the image.



Caution

Be careful about the installation direction. If the cushion is installed in the wrong direction, it may contact the backseat.

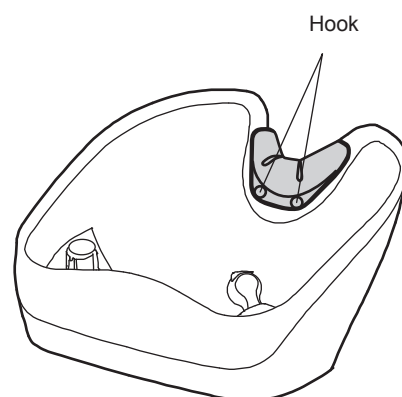


- (2) Attach the hooks of the neck cushion to the fastening pins inside of basin.

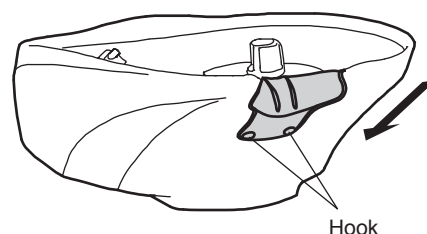


Caution

* Take care not to lose the fastening pins.



- (3) Adjust the shape of the neck cushion and attach the basin side hooks of the neck cushion to the fastening pins outside of basin.



Unit fixing position and Plumbing Layout

[Unit : mm]

Request measures to prevent water leakage under the floor and downstairs.
Be sure to take the necessary precautions to prepare for and prevent possible water leaks.

- Use waterproof flooring materials.
- If the floor has an opening, cover the opening when completing the interior finishing (waterproofing).
- Install all pipe gaskets.

Procedures for Installing the Pipe Gasket

- (1) Make a cut in the pipe gasket at the pipe riser point.
- (2) Peel off the adhesive sheet on the pipe gasket and set the gasket on the floor.
- (3) Cut the gasket in a circle at the cut portion on the gasket along with the pipe, and then caulk the area around the pipe.



Floor Surface of Tile or Glass Finish
The tiles or glass of the floor surface will break when the bolts are embedded during installation of the shampoo unit. If this is the case, the installation area should be finished with materials such as plywood or mortar.

- (1) Peel off the inner tiles or glass along the outside lines of the installation area of the floor. The work must be done carefully; otherwise, the peeled portion may be obvious.
- (2) Place composite panels in the peeled-off area. The panel surface should be higher than the surrounding tile or glass surface (within 2 or 3 mm).

○ : Show the floor installation surface.

Changing the pipe form RS1/NRS

A flexible pipe of L = 200 mm is supplied with the product. The work to change the pipe from RS1/NRS is possible without changing the rise point for the pipes.

<Rise Dimensions of Pipe>

	Water Supply (1/2" 13mm)	Hot Water Supply (1/2" 13mm)	Drainage (ø40/VP40)
RS1	90mm	90mm	9mm
NRS	110mm	80mm	110mm

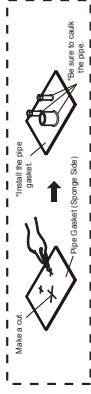
* When changing the pipe from NRS, the height of the clear drainage pipe must be adjusted to 110 mm.

Request measures to prevent water leakage under the floor and downstairs.
Be sure to take the necessary precautions to prepare for and prevent possible water leaks.

- Use waterproof flooring materials.
- If the floor has an opening, cover the opening when completing the interior finishing (waterproofing).
- Install all pipe gaskets.

Procedures for Installing the Pipe Gasket

- (1) Make a cut in the pipe gasket at the pipe riser point.
- (2) Peel off the adhesive sheet on the pipe gasket and set the gasket on the floor.
- (3) Cut the gasket in a circle at the cut portion on the gasket along with the pipe, and then caulk the area around the pipe.



Floor Surface of Tile or Glass Finish
The tiles or glass of the floor surface will break when the bolts are embedded during installation of the shampoo unit. If this is the case, the installation area should be finished with materials such as plywood or mortar.

- (1) Peel off the inner tiles or glass along the outside lines of the installation area of the floor. The work must be done carefully; otherwise, the peeled portion may be obvious.
- (2) Place composite panels in the peeled-off area. The panel surface should be higher than the surrounding tile or glass surface (within 2 or 3 mm).

○ : Show the floor installation surface.

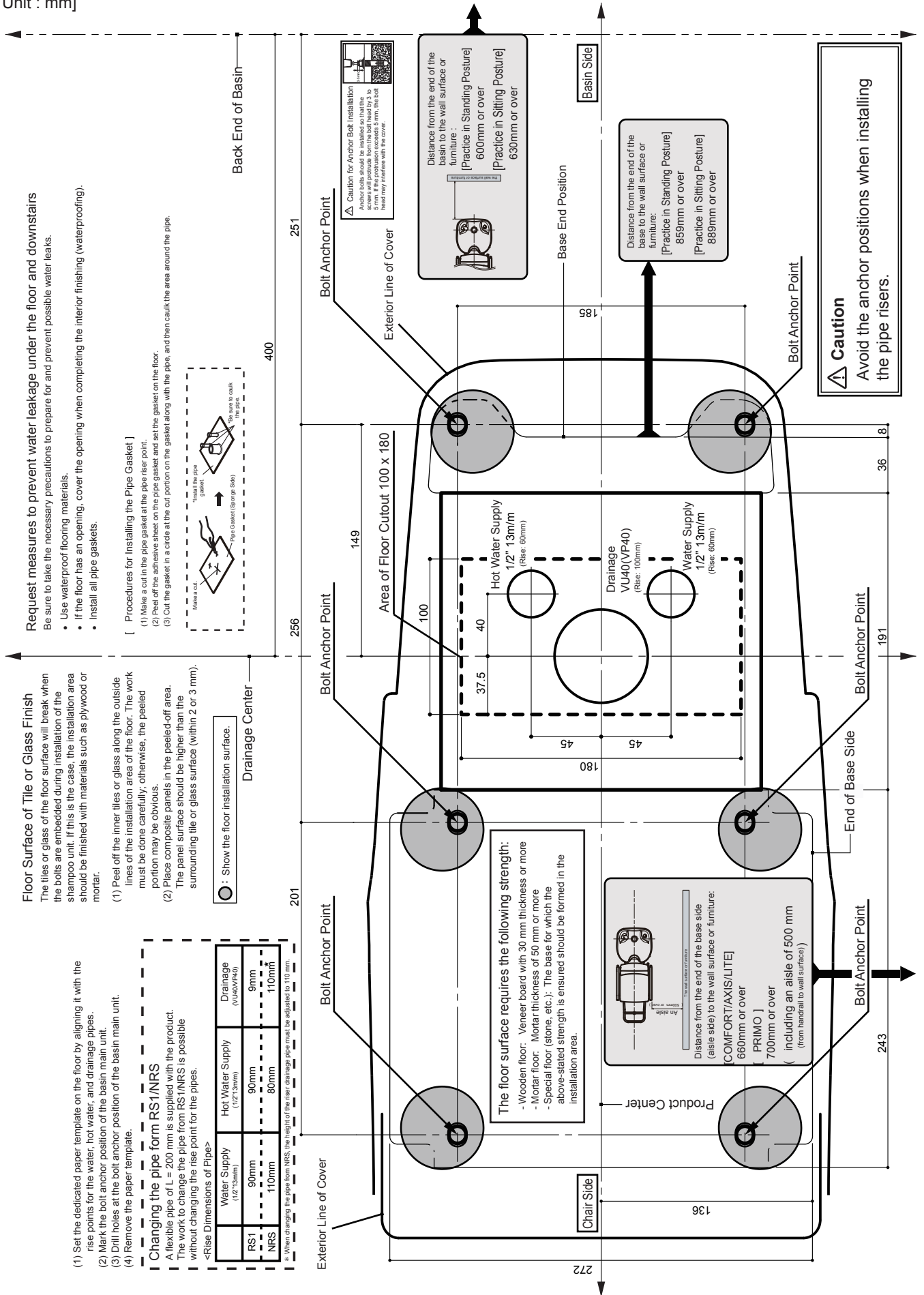
Changing the pipe form RS1/NRS

A flexible pipe of L = 200 mm is supplied with the product. The work to change the pipe from RS1/NRS is possible without changing the rise point for the pipes.

<Rise Dimensions of Pipe>

	Water Supply (1/2" 13mm)	Hot Water Supply (1/2" 13mm)	Drainage (ø40/VP40)
RS1	90mm	90mm	9mm
NRS	110mm	80mm	110mm

* When changing the pipe from NRS, the height of the clear drainage pipe must be adjusted to 110 mm.



NOTE



TAKARA BELMONT (UK) LTD

Belmont House, One St. Andrews Way, Bow, London E3 3PA, U.K.

TEL : +44(0)20 7515 0333

FAX : +44(0)20 7987 3596

Printed in UK