

## MAJOLICA PORTO Installation Instructions

### MAJOLICA PORTO

#### ○Basin

EX-SB 1\* [single tap type]

EX-SB 2\* [double tap type]

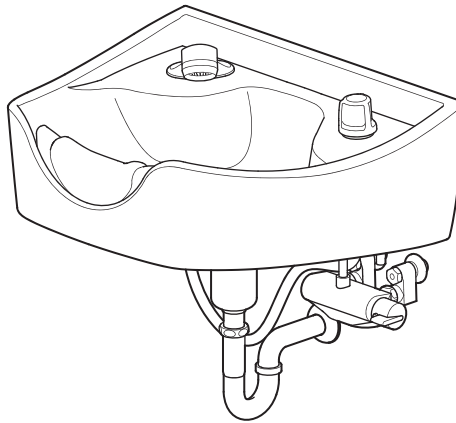
#### ○Water faucet kit

AY-SB P1 [P pipe / single tap type]

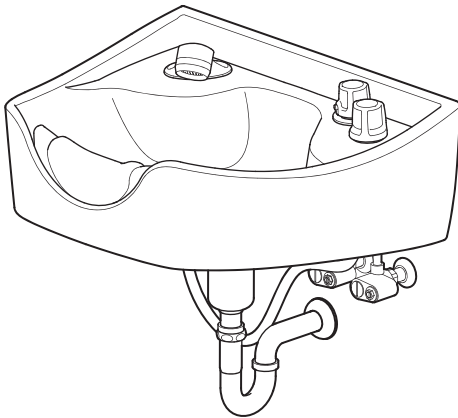
AY-SB P2 [P pipe / double tap type]

AY-SB S1 [S pipe / single tap type]

AY-SB S2 [S pipe / double tap type]



(Above drawing is EX-SB 1\*/AY-SB P1)



(Above drawing is EX-SB 2\*/AY-SB P2)

#### Contents

|                              |    |
|------------------------------|----|
| Before installation          | 2  |
| Usage conditions             | 5  |
| Content of packing           | 6  |
| Transporting the unit        | 8  |
| Unit installation            | 8  |
| 1 Wall fittings              | 9  |
| 2 Water regulator&Thermostat | 10 |
| 3 Drain housing              | 13 |
| 4 Shower head holder         | 14 |
| 5 Neck base                  | 14 |
| 6 Basin                      | 15 |
| 7 Flexible pipe              | 16 |
| 8 Shower hose                | 18 |
| 9 Drain pipe                 | 18 |
| 10 Tap & Handle              | 20 |
| 11 Neck cushion              | 22 |
| 12 Testing the unit          | 23 |
| After installation           | 26 |
| 13 Sealing                   | 26 |

#### To the installer

- The instructions should be thoroughly read and understood before installation to ensure that MAJOLICA PORTO is installed correctly.
- After installation, please pass these instructions to the customer.

#### To the customers

- Customers must ask professional to install MAJOLICA PORTO.
- Customers must not install MAJOLICA PORTO by themselves
- These instructions should be stored in a safe place for future reference.
- \*The data for the MAJOLICA PORTO, including images and dimensions listed in this manual may be modified and are subject to change without prior notice.

•The precautions listed here are to ensure that MAJOLICA PORTO can be installed safely, and to prevent any danger or risk to the person installing MAJOLICA PORTO or those around them. All of these precautions are important for safety. Takara Belmont is not responsible for any damage or risk to the person installing MAJOLICA PORTO or those around them should accidents occur following non compliance with the following guidelines and precautions.



Caution

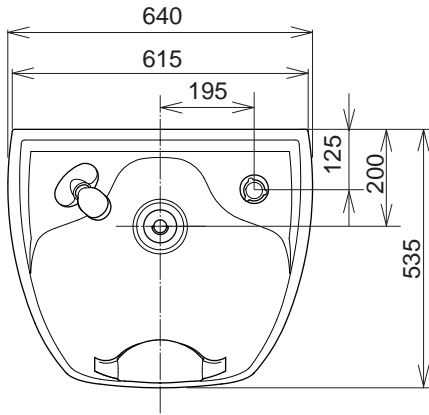
If MAJOLICA PORTO is installed after ignoring this symbol, "there is the risk of light or moderate injury or physical damage"

Note: Plumbing should be performed by a qualified technician and should meet all national and local plumbing codes and ordinances. It is the responsibility of purchaser and/or plumber to conform to national and local codes and ordinances. Takara Belmont does not take any responsibility or liability for plumbing and installation.

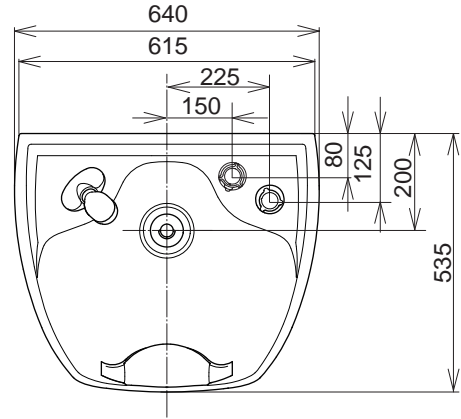
# Before installation

<Dimensions> (unit : mm)

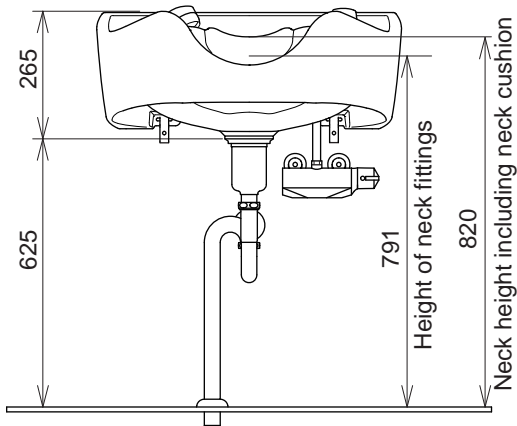
■ Top View(Single tap type)



■ Top View(Double tap type)

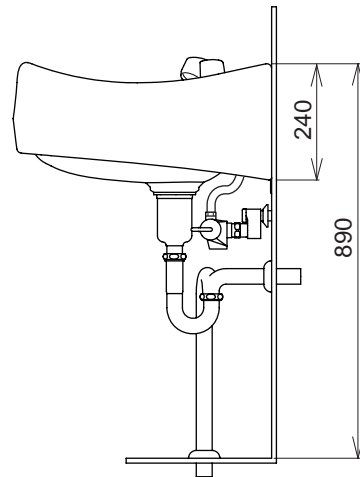


■ Front View(Single tap / Double tap type)



(Above picture is single tap type)

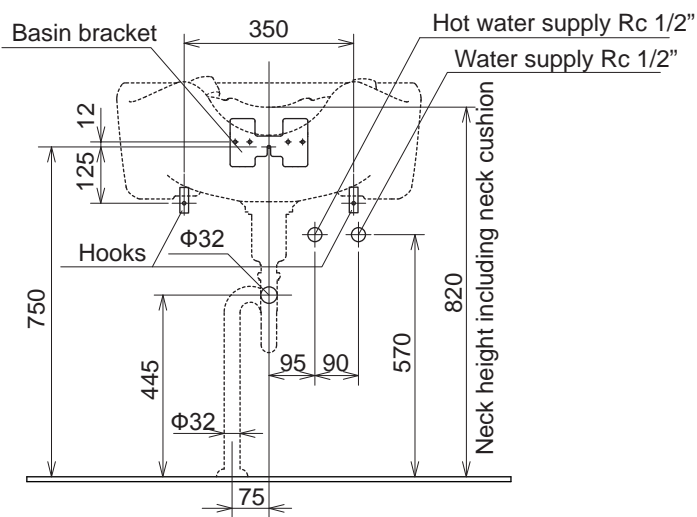
■ Side View(Single tap / Double tap type)



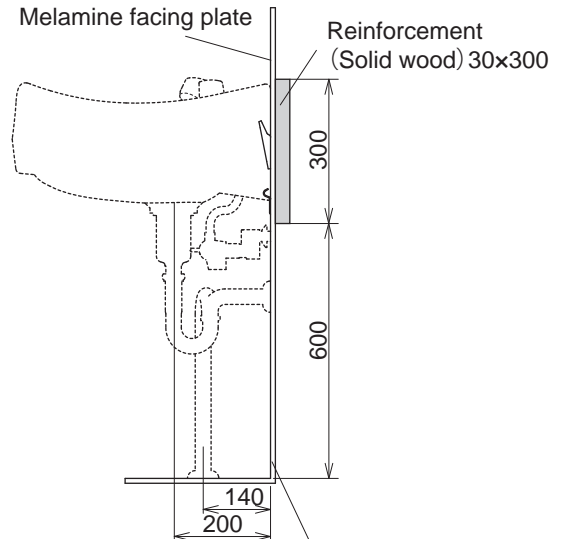
(Above picture is single tap type)

<Plumbing layout>

■ Front View(Single tap / Double tap type)



■ Side View(Single tap / Double tap type)



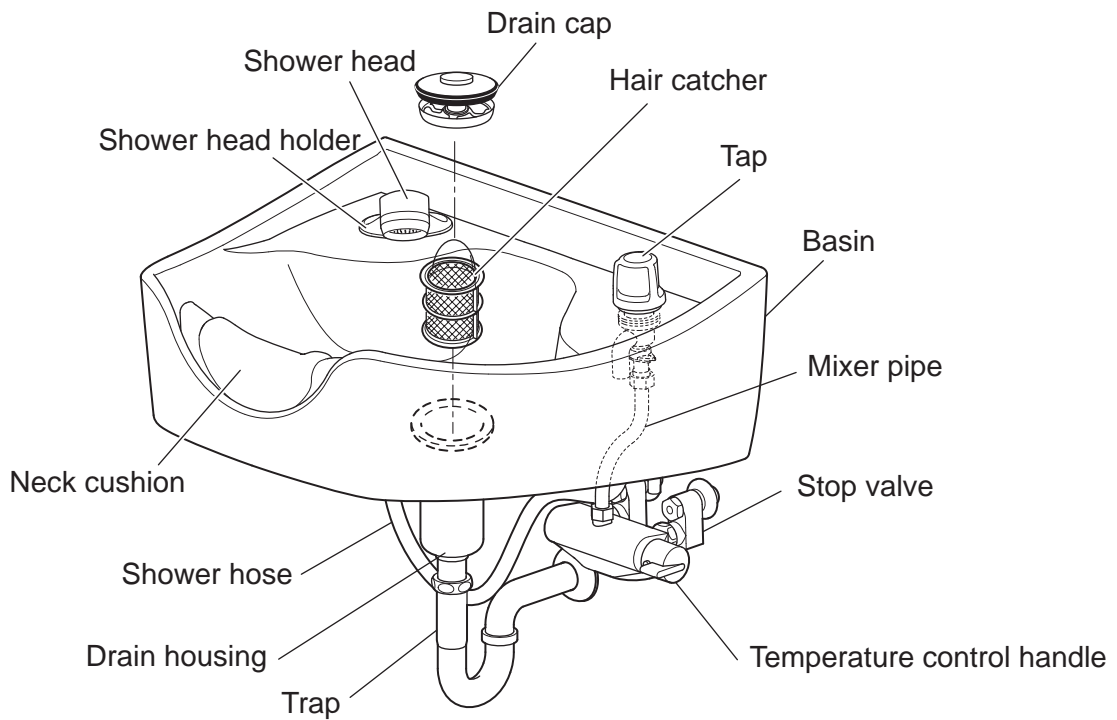
Lumber core (thickness:18)  
or composite panel(thickness:12)

◆ Measurements including the neckrest height will vary

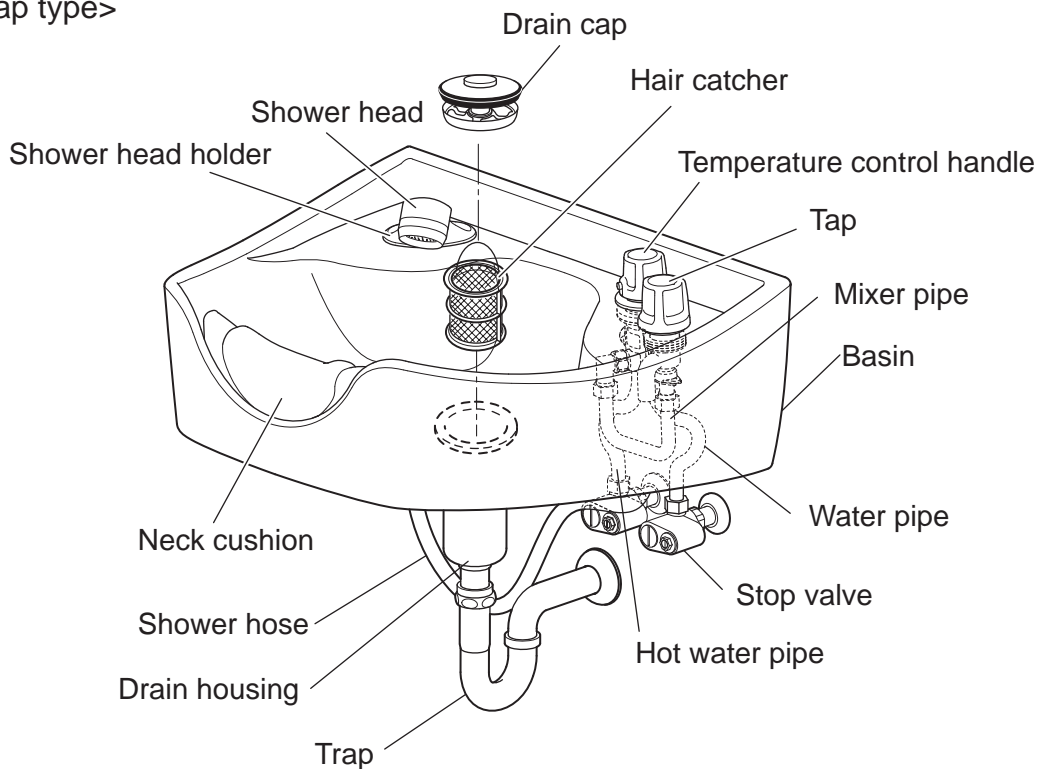
## <Parts structure>

### ■Unit

#### <Single tap type>



#### <Double tap type>



## ■ Floor surface

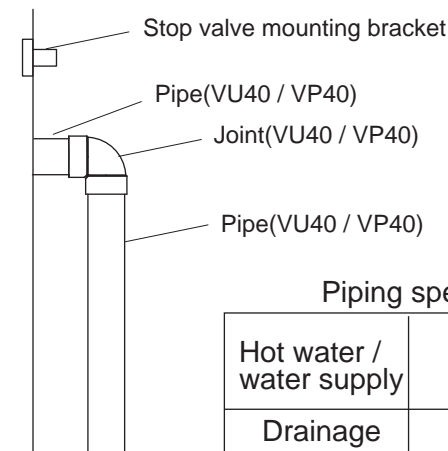
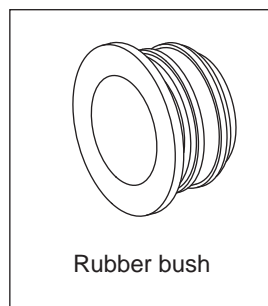
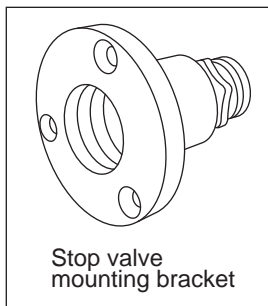
- Ensure that the material or finishing of the floor surface is waterproof material or has a waterproof coating applied.
- Always ensure that the floor surface is horizontally level.
- Ensure that the floor surface is smooth and free from bumps around the attachment areas.

## ■ Wall

- For installation on the wall, the wall base strength should be equal to or stronger than a 42mm-thick composite panel. If the wall is made of plaster or its thickness is less than 42mm, add a wooden reinforcement onto the wall(See page 2).
- Use a waterproof material such as melamine for the wall surface (for possible water splashes during shampoo treatment).
- Ensure that the wall surface is vertically straight (if not, it might affect the neck height of the basin or cause poor drainage).

## ■ Raising pipes

- Always use a rigid PVC pipe and rigid PVC pipe joint(VU40/VP40) when raising a drainpipe. After the installation, ensure that the drainpipe is stable.
- Always attach a rubber bush(not included) when raising a drain pipe for the wall (or the floor)
- Always attach a stop valve mounting bracket(not included) when raising a water supply pipe and a hot water supply pipe



Piping specification

|                          |             |
|--------------------------|-------------|
| Hot water / water supply | Rc 1/2"     |
| Drainage                 | VU40 / VP40 |

## ■ Waterproofing

- If the equipment is installed on the first floor or higher floors, waterproof the floor appropriately (e.g. do water proofing work, use a floor tray made of stainless steel, set up a water leak sensor, etc.)

## ■ Installation of pipes

The following points are important to adhere to during the installation of pipes. Read through the details carefully and ensure that the pipes are installed correctly.

- When installing this product, ensure that installation of pipes adheres to the instructions outlined in "Precautions during installation of pipes". Installing pipes without reading through the precautions will mean water may not mix properly, and a set temperature will not be achieved.
- This product is designed for indoor installation only.

## ■ Precautions during installation of pipes

- Do not use pipes made of materials that may cause rust in the water supply pipe. In general, VP pipes or other materials specified by regulations for a particular region, are recommended for installation.
- In general, Type L deoxidized copper pipes are recommended for hot water pipes.
- In general, the same diameter and same pressure is recommended for hot water pipes and water supply pipes.
- Always use a reamer to deburr the ends of cut pipes.
- Avoid using inverted U-shaped pipes (siphon) as these can cause air to become trapped.
- Always connect hot water pipes and water supply pipes after removing all contaminants such as dirt, sand and oil as these can cause problems.
- After connecting the pipes and testing water flow, clean the filter and shower head.
- Ensure that the drain pipe is installed at a gradient of 1/50 for a diameter of  $\phi$  75mm or less, or 1/100 for a diameter of  $\phi$  75mm or more.
- Do not connect the hot water pipes and water supply pipes in reverse. Connecting pipes in reverse will mean the temperature of water cannot be controlled properly by the water taps, which may cause scalds or burns.
- Ensure that the hot water pipes from water boilers are only run over a short distance so as to minimize resistance. Longer pipes can cause fluctuations in temperature and poor hot water delivery.
- Always wrap pipes with lagging material after installation is complete.
- Water boiler pipes
  - In general, the same diameter and same pressure is recommended for main hot water pipes and main water supply pipes.
  - Ask a professional to install a water boiler.
- The equipment comes with a strainer installed.

## Usage conditions

### ■ Hot water supply and water supply conditions

|   |   |
|---|---|
| Water used                              | <ul style="list-style-type: none"> <li>• Public water supply (do not use non-drinkable well water or water that contains rust or sand.)</li> <li>• If the water hardness is 80 ppm or higher, install a water softener to prevent the buildup of scale within the basin body. Aeration may be minimal when using shampoo even if drinkable well water is used, so a water softener should be installed.</li> </ul>  |
| Hot water supply, water supply pressure | <ul style="list-style-type: none"> <li>• Use a pressure between 0.1 and 0.4MPa(1~4kgf/cm<sup>2</sup>). If multiple MAJOLICA PORTO units are used, ensure that the pressure does not drop below 0.1MPa(1kgf/cm<sup>2</sup>)</li> <li>• Set the water supply pressure <math>\geq</math> hot water supply pressure.</li> <li>• Set the difference between the hot water supply pressure and water supply pressure to within 0.2MPa(2kgf/cm<sup>2</sup>)</li> </ul> |
| Hot water temperature into the product  | <ul style="list-style-type: none"> <li>• Set the hot water temperature to 80°C or less.</li> <li>• Set the temperature 10°C or higher than the shower temperature used.</li> </ul>  |

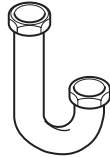
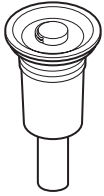
# Content of packing

\*Please check all below parts are included before installation.

## <1. Water plumbing kit>

### ■Packing details <Single tap type / Double tap type>

Drain housing  Trap



P-trap pipe / S-trap pipe

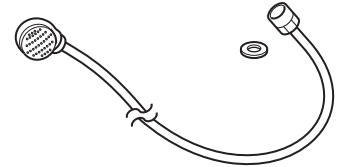
Either of the two type

P-trap pipe

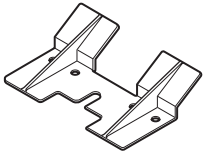
S-trap pipe



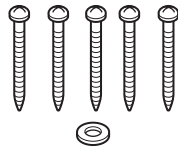
Shower hose  
(Rubber packing is included)



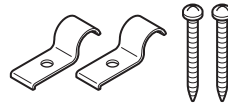
Basin bracket



Screw set  
for basin bracket



Hooks  
(Screw(2) is included)



Wrench



Cover(large)

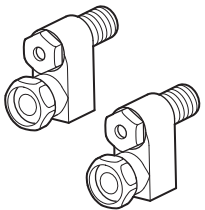


Caution sheet for  
connecting  
flexible pipe

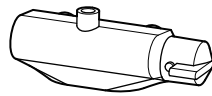
\*Written in Japanese

### <Single tap type>

Stop valve (2)



Thermostat

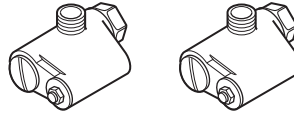


Cover (small)(2)

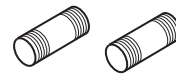


### <Double tap type>

Stop valve (2)



Water pipe (2)

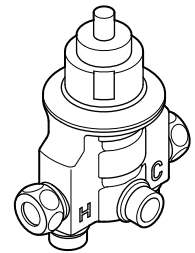


(L=45mm)

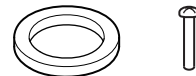
Cover (small) (2)



Thermostat



Thermostat packing (black),  
Screw



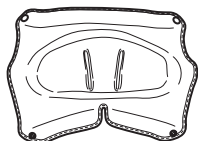
## <2. Neck cushion parts>

### <Single tap type / Double tap type>

Neck fittings

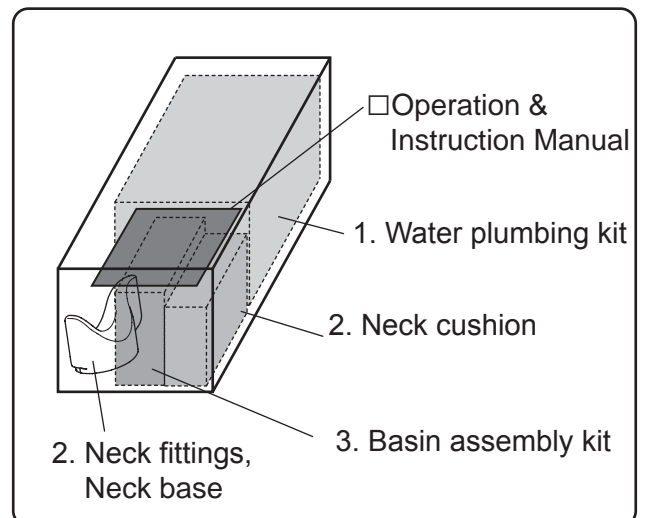
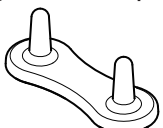


Neck cushion



Neck base

[It has two packings in the reverse side (2)]

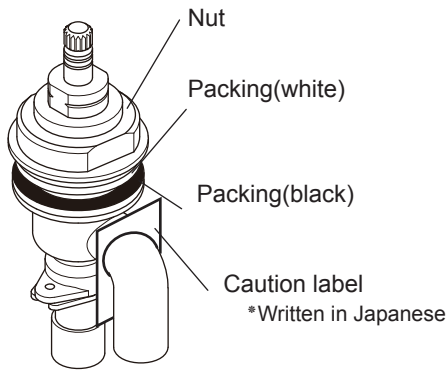


### <3. Basin assembly kit>

#### ■ Packing details

##### <Single tap type>

□ Water regulator



□ Packing(black, 2)



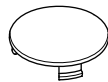
□ Conversion adaptor (1)



□ Shower head holder



□ Tap cap (1)



□ Tap



□ Flexible pipe (1)



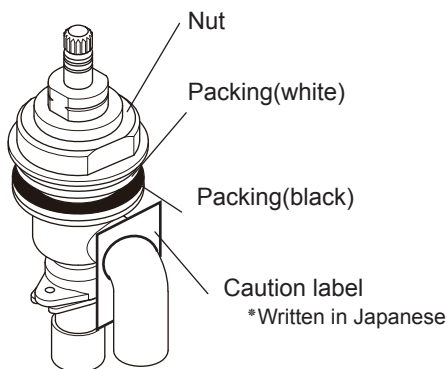
(L=200mm)

□ Screw set



##### <Double tap type>

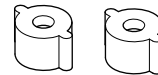
□ Water regulator



□ Packing(black, 2)



□ Conversion adaptor (2)



□ Shower head holder



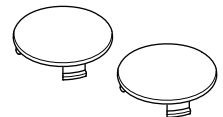
□ Temperature control handle



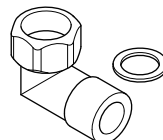
□ Tap



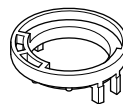
□ Tap cap (2)



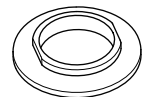
□ Elbow (With packing)



□ Handle lock (black)



□ Thermostat nut



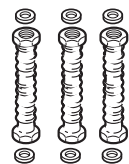
□ Thermostat packing (white)



□ Screw set



□ Flexible pipe (3)



(L=200mm)

# Transporting the unit

## ■ Carrying tap parts set

### Caution

- Some parts are metallic or plastic.  
Do not drag or drop the outer packing.  
Doing so may cause damage and break to these parts.
- Take extra care if opening the boxes with a sharp object such as a knife, so that the inside parts do not get damaged.

## ■ Carrying basin

### Caution

- Take care when handing the basin as it is heavy and fragile.
- Don't drag the basin. Doing so may cause damage to the floor surface or crack the basin itself.

# Unit installation

\*Please make sure that this product is installed in the correct order as listed below.  
Failure to follow these instructions may result in an inability to install the basin.

\* Contents may vary depending on model specified.

## ■ Chart flow of unit installation

1. Wall fittings



 2. Water regulator & Thermostat



3. Drain housing



4. Shower head holder



5. Neck base



6. Basin



 7. Flexible pipe



8. Shower hose



 9. Drain pipe



10. Tap & handle



11. Neck cushion



12. Testing the unit



After installation

○ Check each item on the checklist



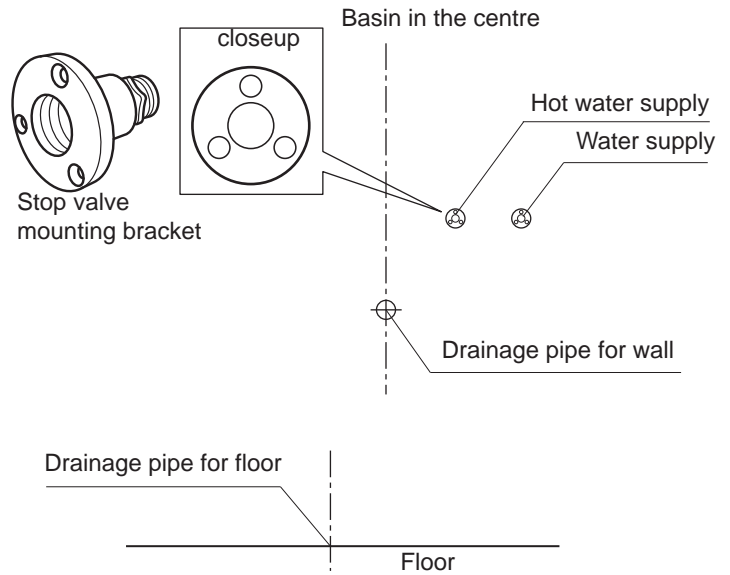
13. Sealing



# 1 Wall fittings

## 1 Attach stop valve

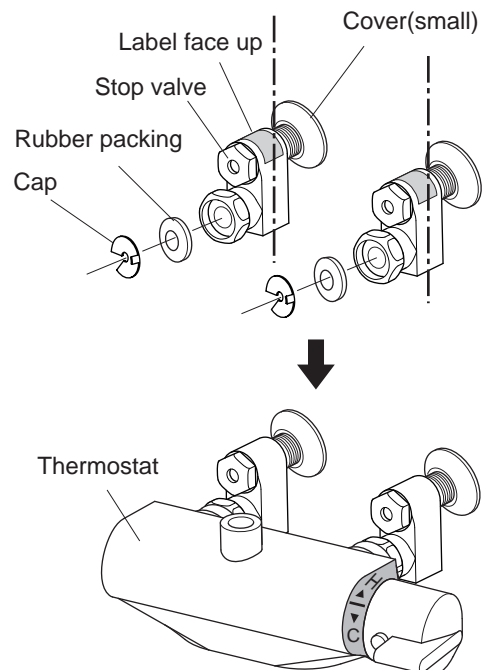
1. Check the position of drainage pipe for floor, based on the installation position of the basin (Basin in the centre).
  - \*Check if the stop valve mounting brackets are attached on the wall.
  - \*To check the position of drainage pipe riser, hot water supply and water supply refer to the dimensions. (See page 2)
2. Mark the position to fix the basin bracket and hooks.
  - \*When replacing the tap parts from other equipment, if the stop valves do not have a filter inside, change it to the provided stop valves with a filter.



### <Single tap type>

3. Apply a seal tape (PTFE tape) to the screws of the stop valves.
4. Attach the covers(small) on the stop valves and install them on to the wall. Make sure the taped surface faces the ceiling.
  - \*Make sure to remove a cap from each stop valve before the installation.
  - \*Do not remove rubber packings.
  - \*Make sure the covers(small) touch the wall.
5. Secure the thermostat on to the water stop valve

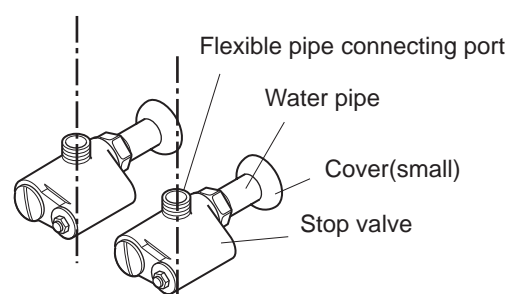
Mount the stop valves in the way that  
 - - - lines become vertical to the floor.



### <Double tap type>

3. Apply a seal tape (PTFE tape) to the screws of the stop valves.
4. Attach the covers(small) on the water pipes and install the stop valves in the way that the flexible pipes connecting ports face the ceiling.
  - \*Make sure the covers(small) touch the wall.

Mount the stop valves in the way that  
 - - - lines become vertical to the floor.



## 2 Attach basin bracket

1. Temporarily fix the basin bracket on to the wall, with the supplied wood screw and flat washer into the centre of the bracket.

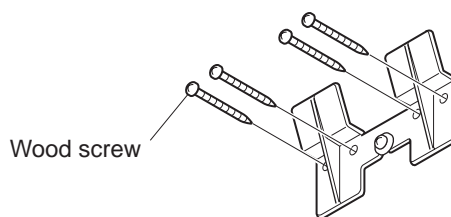
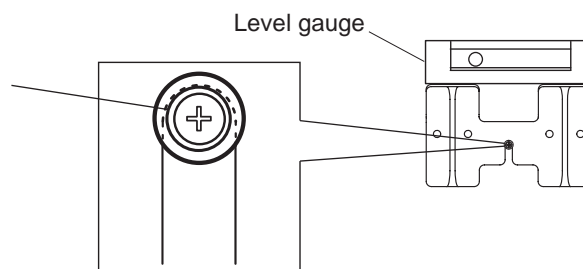
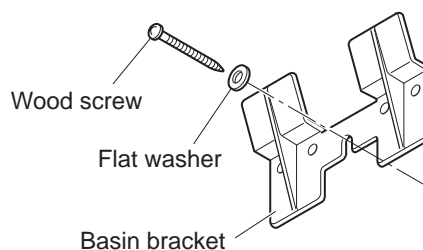
5.8x63 Wood screw...1  
15.5x1.5x1.5 Flat washer ...1

2. Level the basin bracket.

\*Check if the wood screw is at the end of the slotted hole of the bracket.

3. Tighten the wood screw in the centre, Secure it with 4 other wood screws.

5.8x63 Wood screw...4

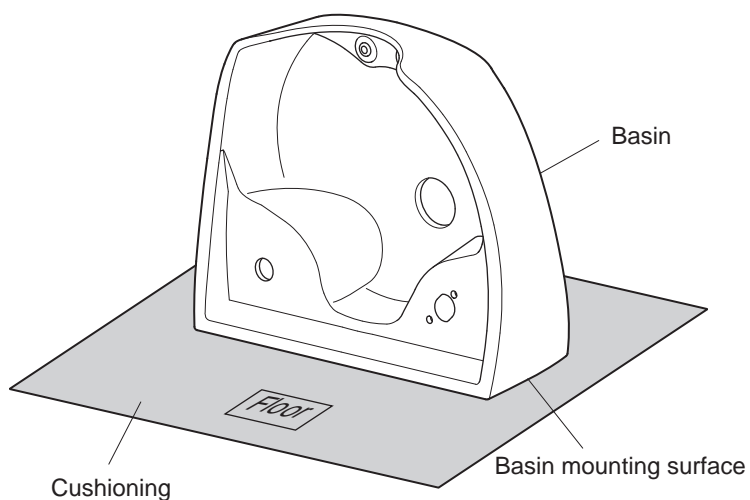


## 2 Water regulator & Thermostat

Place the basin mounting surface on the floor for easier installation

### Caution

Ensure to put the basin on the floor gently, after spreading a cushioning material, to avoid damaging the basin.



<Single tap type / Double tap type>

### 1 Attach the water regulator

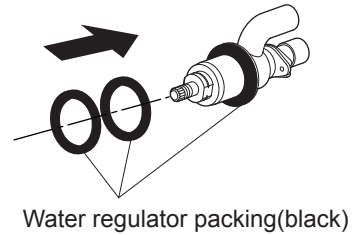
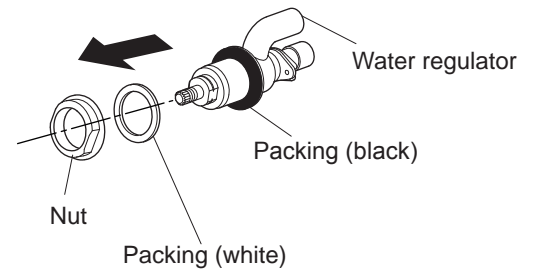
1. Remove the packing (white, 1pc) and nut from the water regulator.

\*Do not remove the packing (black).

2. Attach the packing (black, 2pcs) on to the water regulator, and insert it into the water regulator hole in the basin.

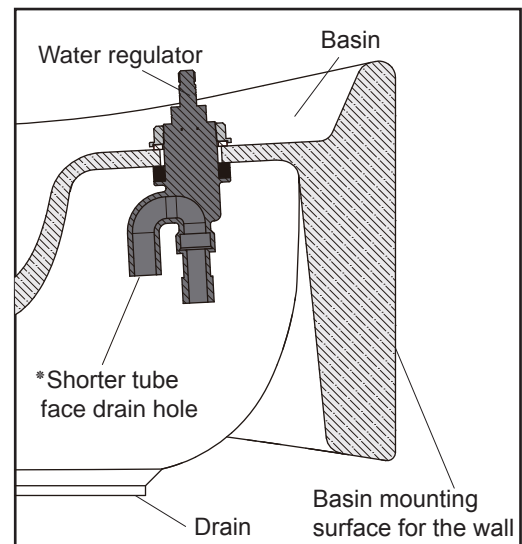
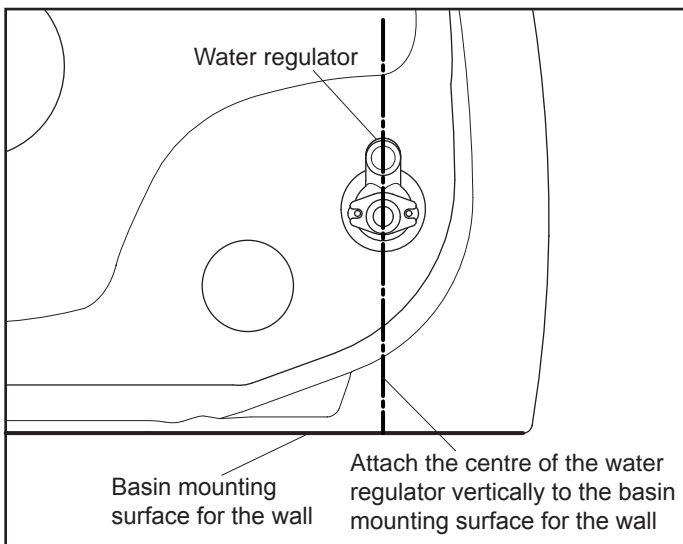
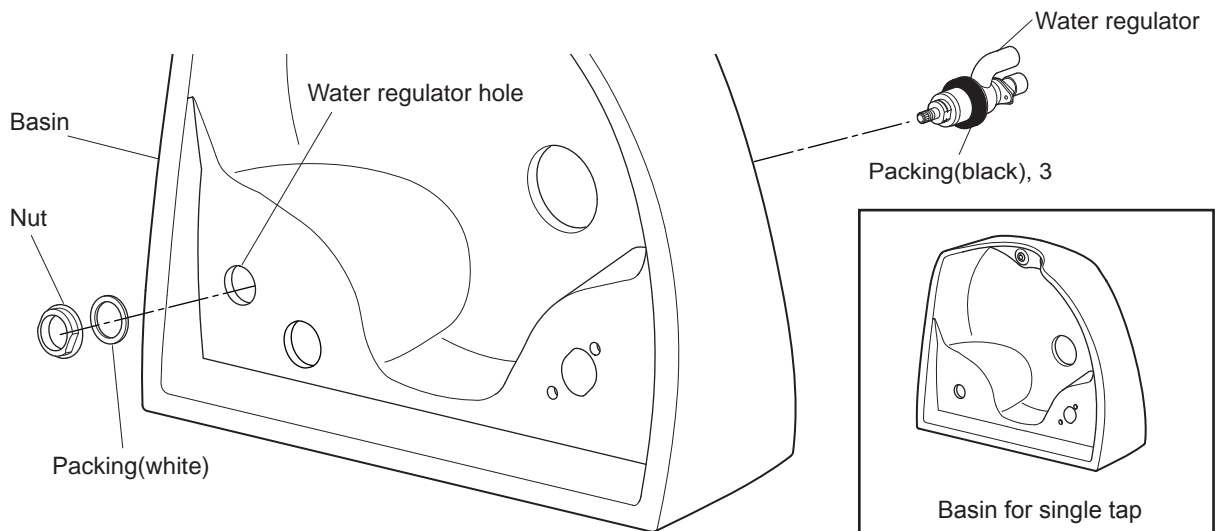
3. Put the packing (white, 1pc) back to the water regulator, and fix it onto the basin by tightening the nut.

\*The packing (black, 2pcs) are included in the basin assembly set.



#### Caution

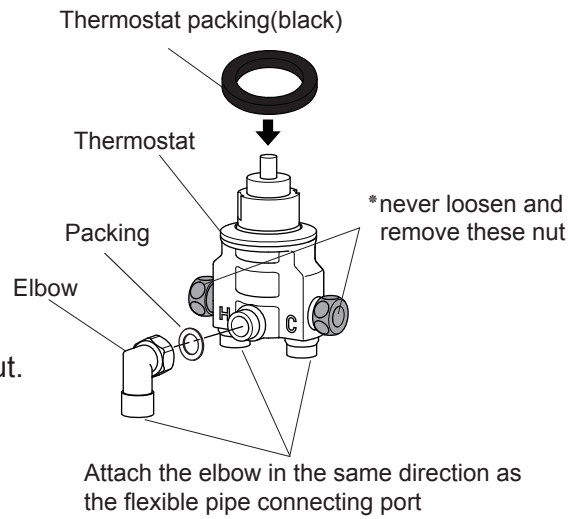
- Pay attention to the direction of water regulator and the order you attach the packing.
- If it is done incorrectly, it may result in a water leak or affect the connectivity of other parts.
- Make sure to insert the water regulator into the correct hole in the basin (Double tap type).



<Double tap type>

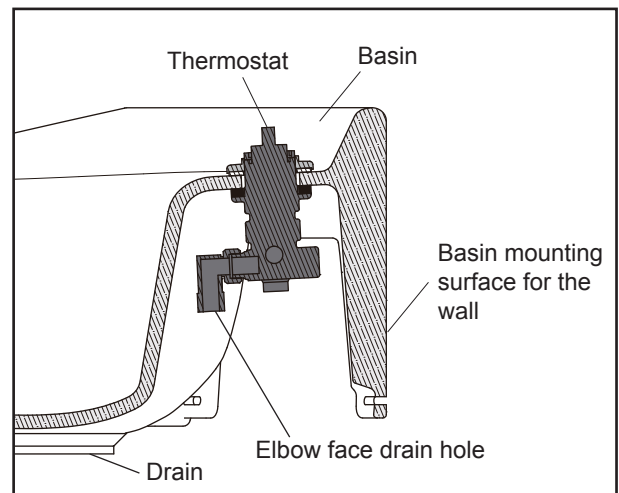
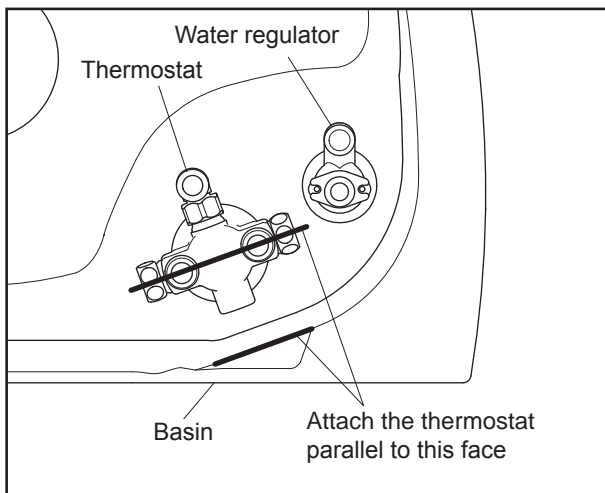
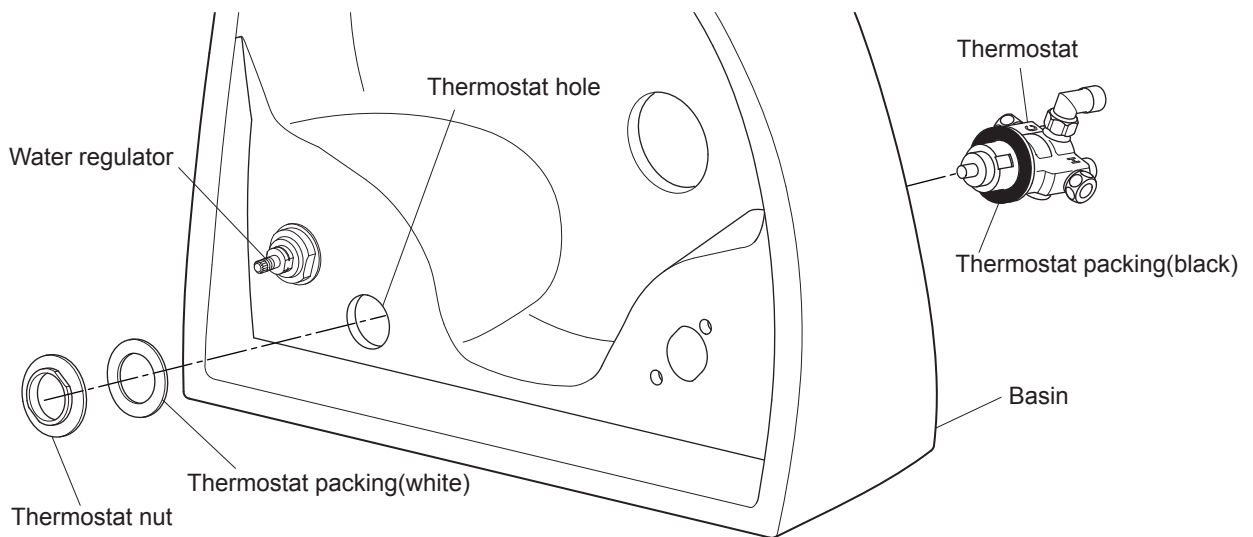
## 2 Attach thermostat

1. Attach the elbow onto the thermostat.  
\*Pay attention to the direction of the elbow.
2. Put the thermostat packing (black) on top of the thermostat, and insert it into the thermostat hole in the basin.
3. Put the thermostat packing (white) on top of the thermostat and fix it onto the basin by the thermostat nut.  
\*The thermostat packing (white, 1pc) and the thermostat nut are included in the basin assembly kit.



### ⚠ Caution

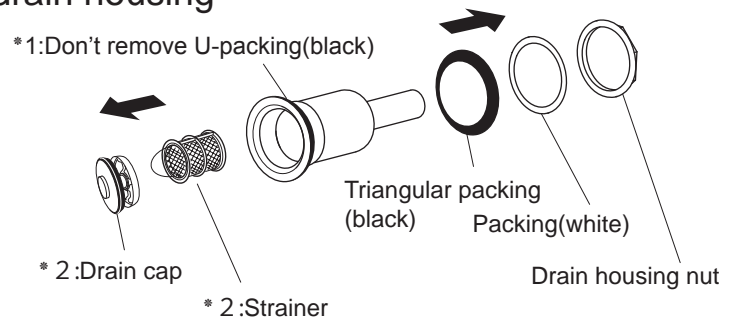
- Pay attention to the direction of thermostat and the order you attach the packings.  
If it is done incorrectly, it may result in water leak or affect the connectivity of other parts.
- Do not loosen or remove the grey nut from the thermostat.



# 3 Drain housing

## 1 Remove the drain housing nut, packing(white) and triangular packing(black) from the drain housing

- \*1: Do not remove the U-packing (black).
- \*2: Remove the drain cap and strainer from the drain housing when inserting it into the basin. Otherwise they might pop out and damage the basin and the floor.



## 2 Seal the drain housing

The sealant agent should use black color.

**⚠ Caution**

Apply a sufficient quantity of sealant agent around the drain housing as shown below when installing the drain housing in the basin. Insufficient sealant agent may allow hair to be caught between the drain housing and the basin. If excess sealant agent is protruding from the basin side, wipe it off completely with soft cloth. Leaving excess sealant could allow staining by coloring agents or dirt.

**Guide of sealant quantity**

U-packing (black)

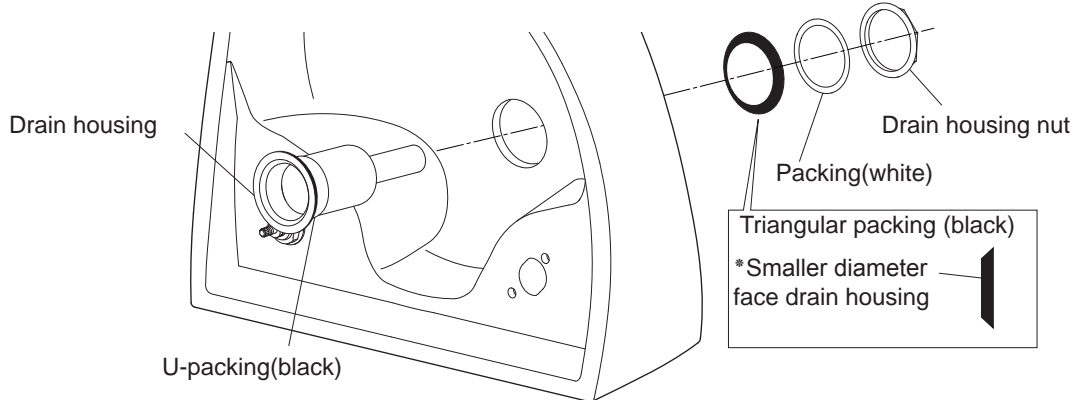
Sealant agent (black)

Correct

incorrect

Drain housing

## 3 Insert the drain housing into the basin, and fix it with the triangular packing(black), packing(white) and drain housing nut.



**⚠ Caution**

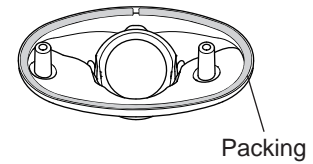
- Pay attention to the order you attach packings. If it is done incorrectly, it may result in a water leak.
- If the sealant overflows from the drain housing and basin, and adheres to the basin surface, remove it completely. Otherwise it might encourage colour stains and other smudges.

## 4 Shower head holder

### ⚠ Caution

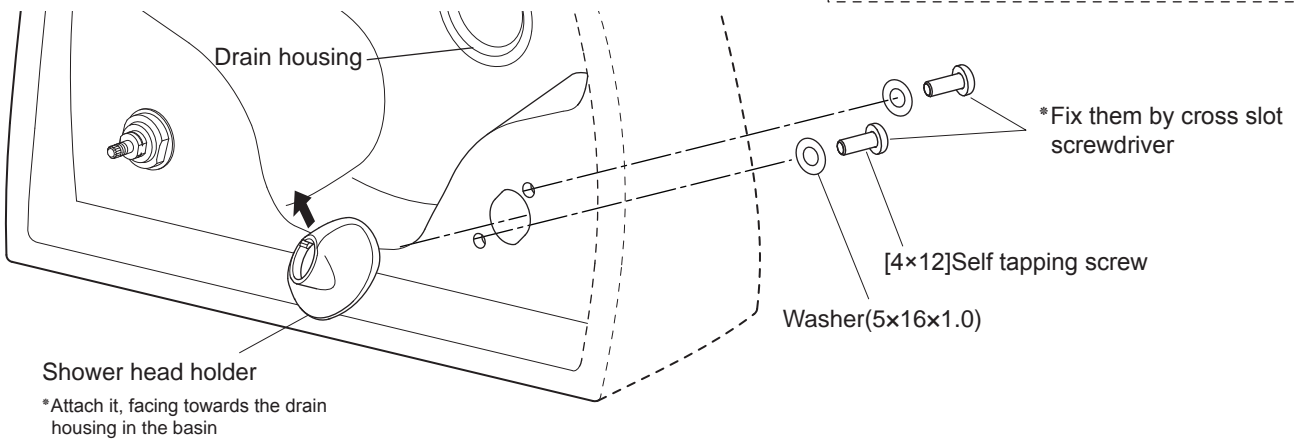
- Make sure to follow the instructions below in order to avoid damaging the shower head holder.
- Put the screws into the shower head holder completely straight and fix them.
- Do not overtighten the screw. Do not use an electric drill.
- Check if the shower head holder has a packing in the reverse side. If not, it may result in a water leak. If the packing is not found, please contact your closest dealer.

[the reverse side of shower head holder]



Attach the Shower head holder, facing the trap housing in the basin

4×12 Self tapping screw...2  
5×16×1.0 Washer ...2



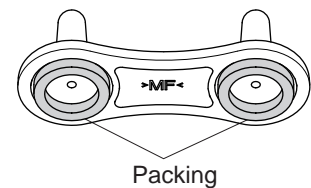
\*Attach it, facing towards the drain housing in the basin

## 5 Neck base

### ⚠ Caution

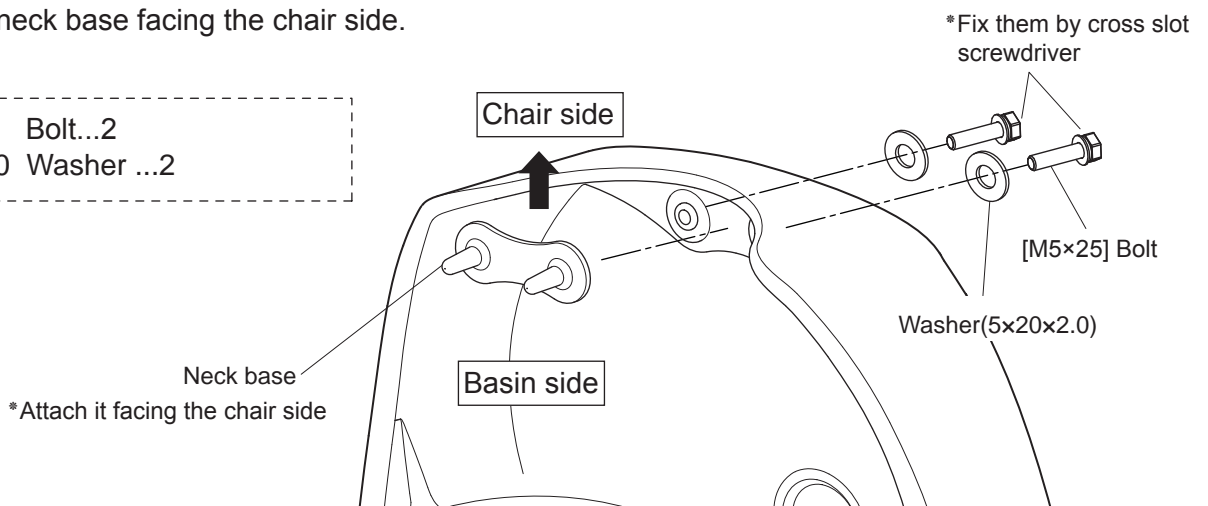
- Don't overtighten the screws. Don't use an electric drill.
- Check if the neck base has packing in the reverse side. If not, it may result in a water leak. If the packing is not found, please contact your closest dealer.
- Attach the neck base facing the chair side. If there is a space between the basin and the neck cushion, water might spill over from the basin.

[the reverse side of neck base]



Attach the neck base facing the chair side.

M5×25 Bolt...2  
5×20×2.0 Washer ...2



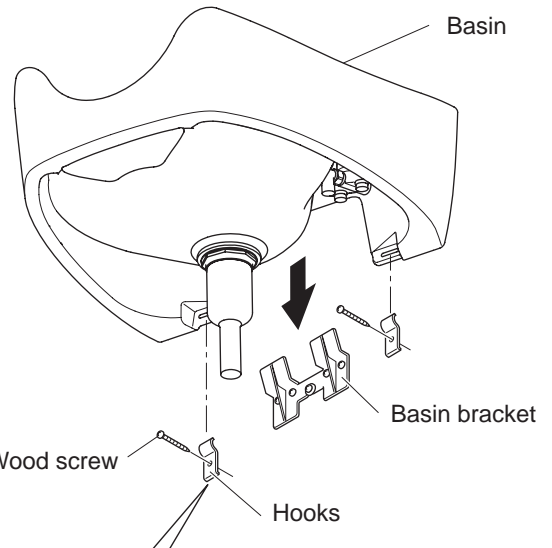
\*Attach it facing the chair side

# 6 Basin

## 1 Fit the basin into the basin bracket

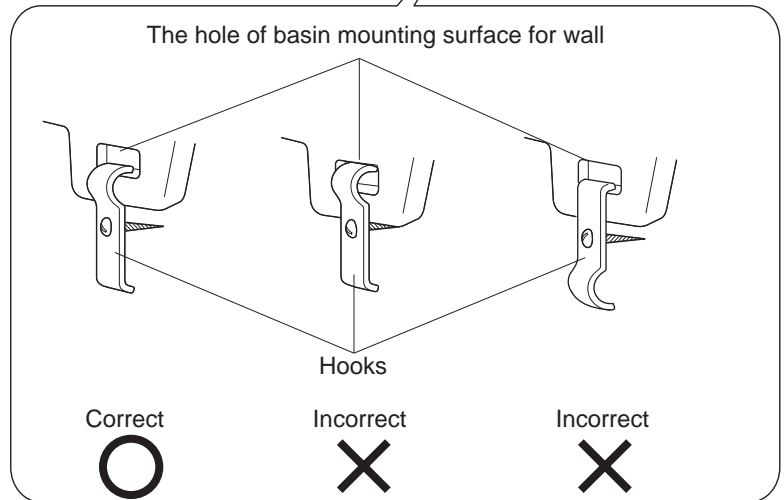
### ⚠ Caution

Make sure the basin is fitted onto the basin bracket securely in order to avoid the basin from dropping on the floor and causing injury.



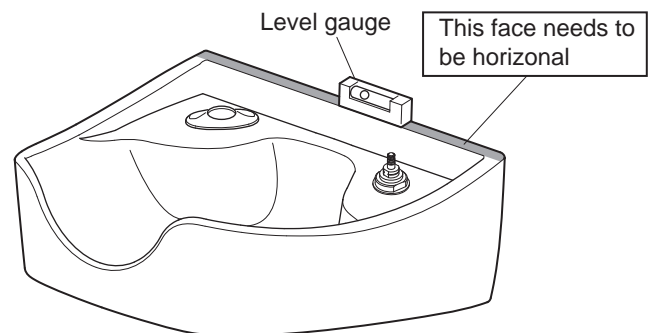
## 2 Level the basin by using the level gauge, and fix it with the hooks.

5.8x50 Wood screw...2

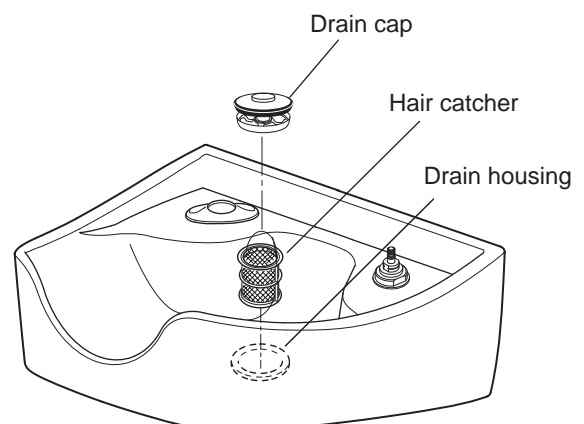


### ⚠ Caution

- Make sure the hooks touch the bottom ends of the holes in the basin (facing the wall), and fix them with the screws.
  - Do not reverse the hooks.
- If the above is not done correctly, the basin might become unstable, which may cause injury.



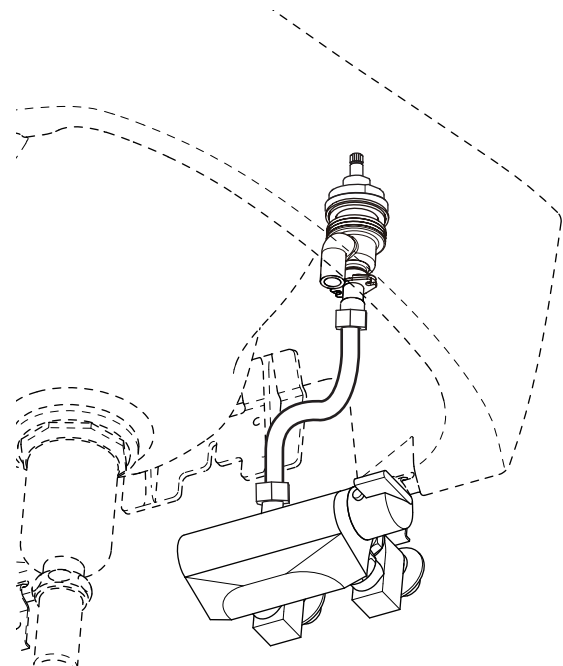
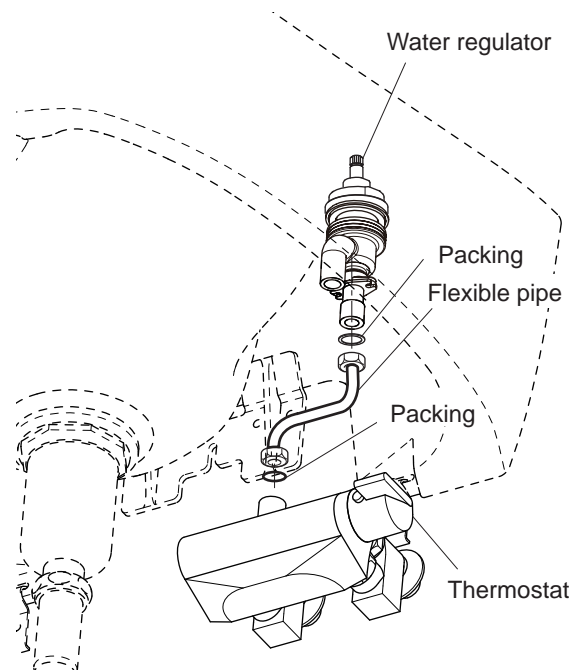
## 3 Install the hair catcher in and the drain cap on the drain housing



## 7 Flexible pipe

<Single tap type>

1. Bend the flexible pipe in the way that it fits the thermostat and water regulator.
2. Put a provided packing on the flexible pipe, and attach it to the water regulator.
3. Put another provided packing on the flexible pipe, and attach it to the thermostat.





<Double tap type>

1. Bend the flexible pipes in the way that they fits the thermostat, water regulator and stop valve.
2. Put a provided packings on the flexible pipes, and attach them to the water regulator.

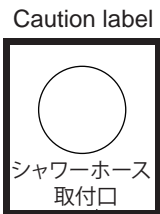
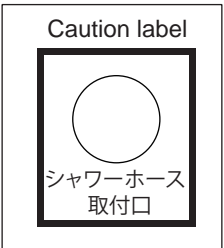
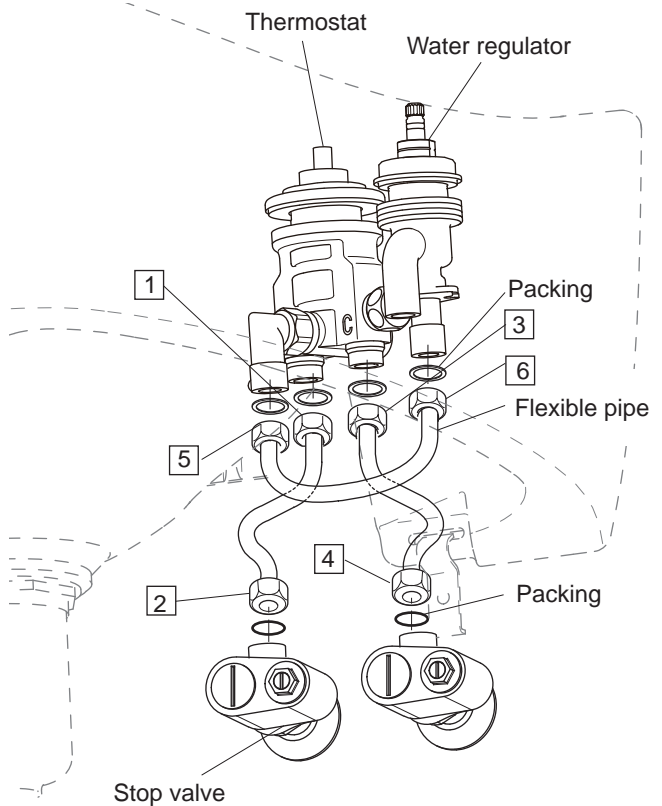
\*Attach them in the order of

1 → 2 → 3 → 4 → 5 → 6

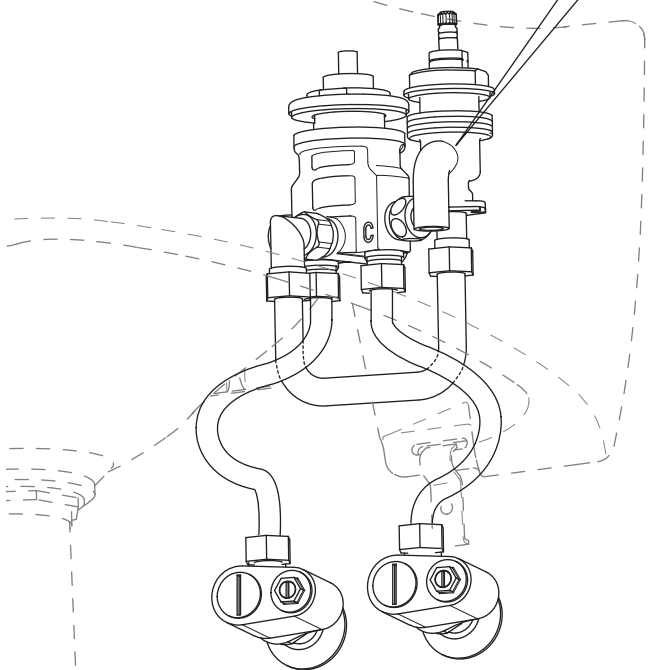
**⚠ Caution**

- Make sure to use the provided packings. Without them, it may result in a water leak.
- Do not connect the hot water and cold water in reverse.
- Make sure the hot water pipe and the water pipe do not touch each other.
- Do not attach the flexible pipes on the shower hose side on the water regulator. Doing so might prevent water from coming out and cause water leak.

\*There is a caution label at the shower hose side on the water regulator.

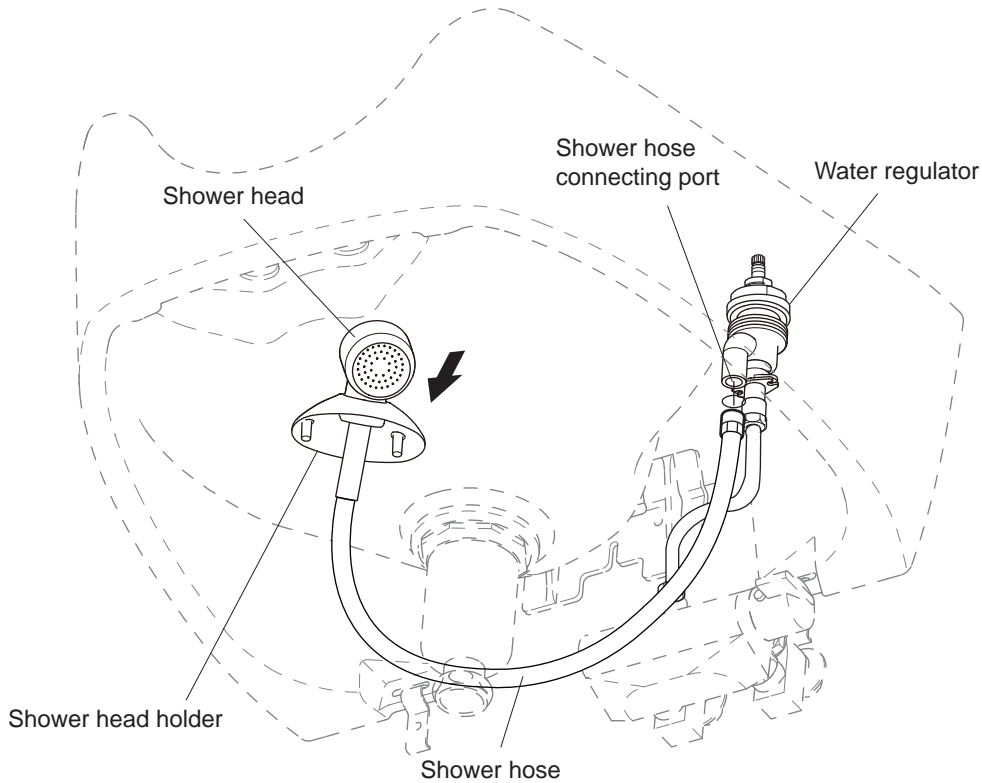


It means shower hose connecting port in Japanese.



## 8 Shower hose

Put the shower hose through the shower head holder, and attach the hose and to the shower hose connecting port.



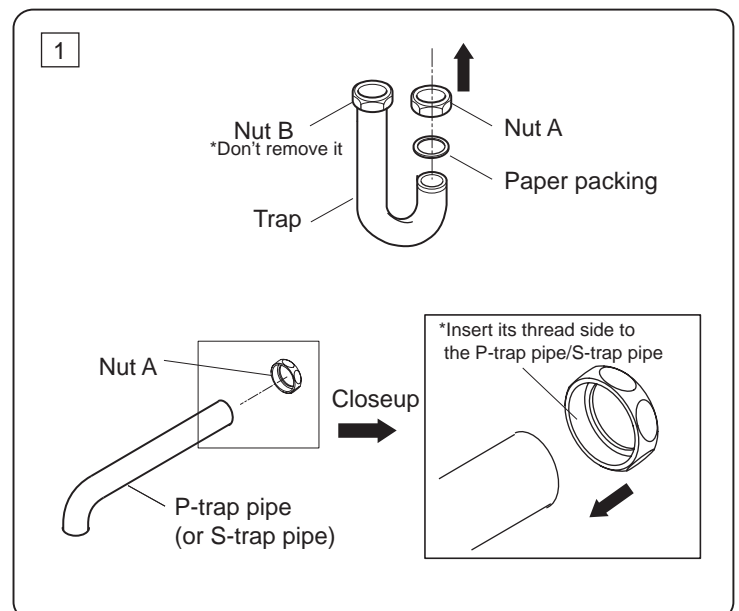
## 9 Drain pipe

1. Remove the nut A and the paper packing from the trap, and insert it in P-trap pipe or S-trap pipe.

\*Pay attention to the direction of the nut A when removing it from the drain pipe and inserting it in the trap.

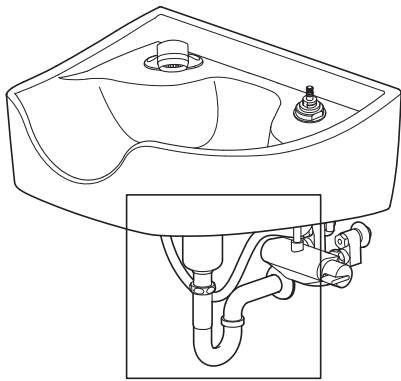
2. Loosen the nut B on the trap, and temporarily fix it on P-trap pipe or S-trap pipe and the drain housing (see page 19)

\*If P-trap pipe or S-trap pipe is too long, cut it to an appropriate length.

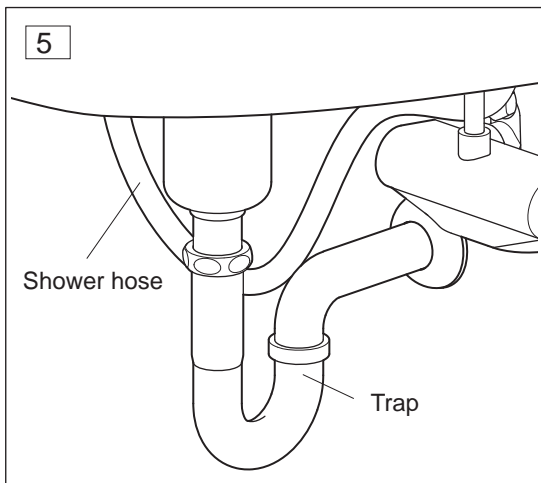


3. Detach the temporarily fixed parts, attach a rubber bush (not included) on the drainage pipe riser.
4. Put the P-trap pipe or S-trap pipe through the cover(large), and insert it in the rubber bush (not included).
5. Attach the trap to the P-trap pipe or S-trap pipe and the drain housing.

- \*Make sure the shower hose comes above the trap.
- \*Make sure the cover touches the wall (or the floor).

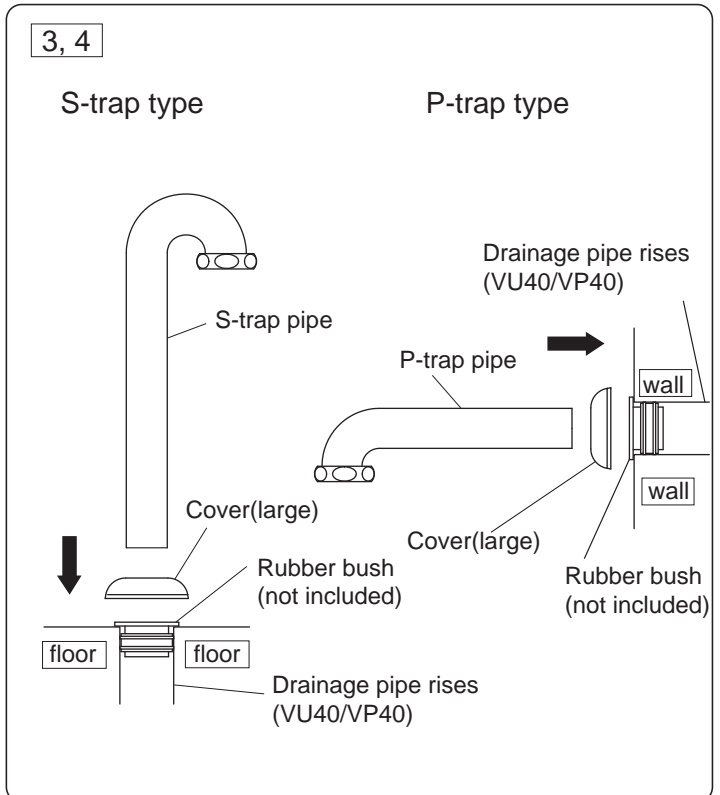
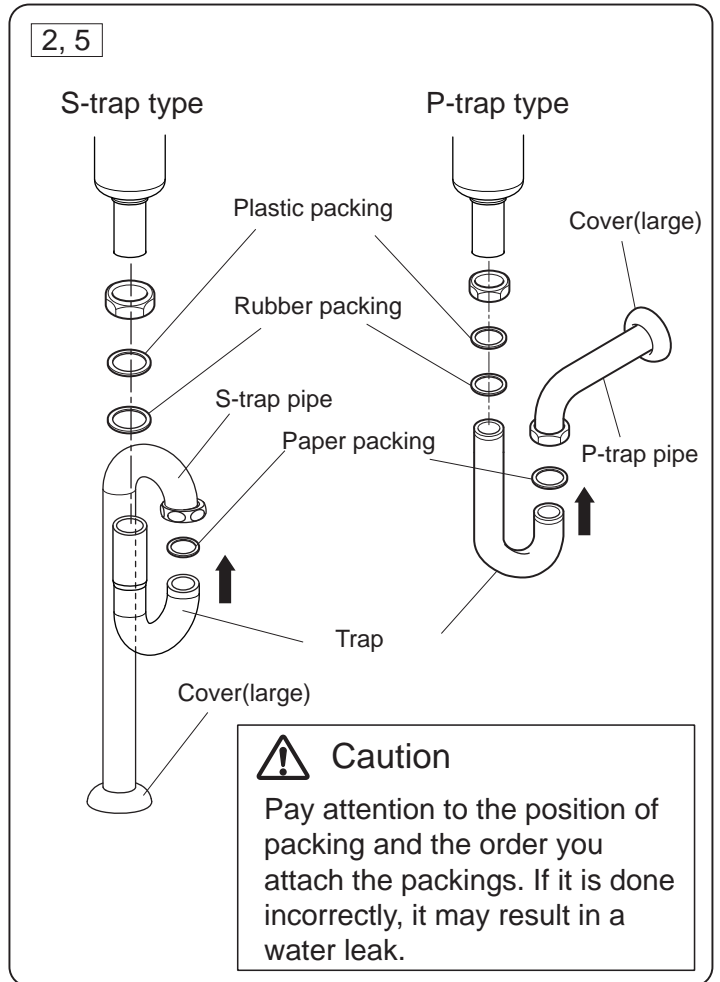


Closeup



**Caution**

Make sure the shower hose comes above the trap. If not, the trap might not be connected properly, or the shower head cannot be taken out from the shower head holder.



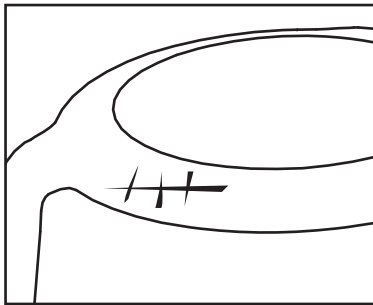
# 10 Tap & handle

## Precautions for Resin(Plated) Parts

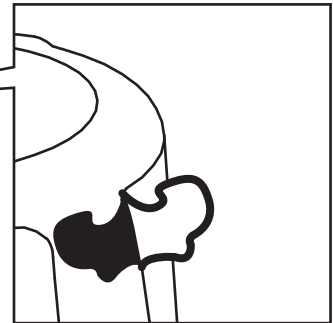
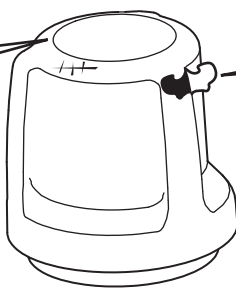
- Resin plating is used for the tap and the temperature control handle.
- Plating in a thin and metal film applied to surface may crack or peel due to corrosion or aged deterioration.
- Flaws or cracks may occur on the plated surface due to impacts from falling objects.
- Flaws or cracks may occur on the plated surface when a hard object hits the surface.
- Peeling of the plating may occur from flaws or cracks on the plated surface.

### ⚠ Caution

Check to ensure that there are no flaws, cracks, or peeling of the plated surface of the tap, etc. before using the product. If peeling is observed, immediately stop using the product and contact the closest dealer. Continued operation may result in injury.



Example of flaws on the plated surface



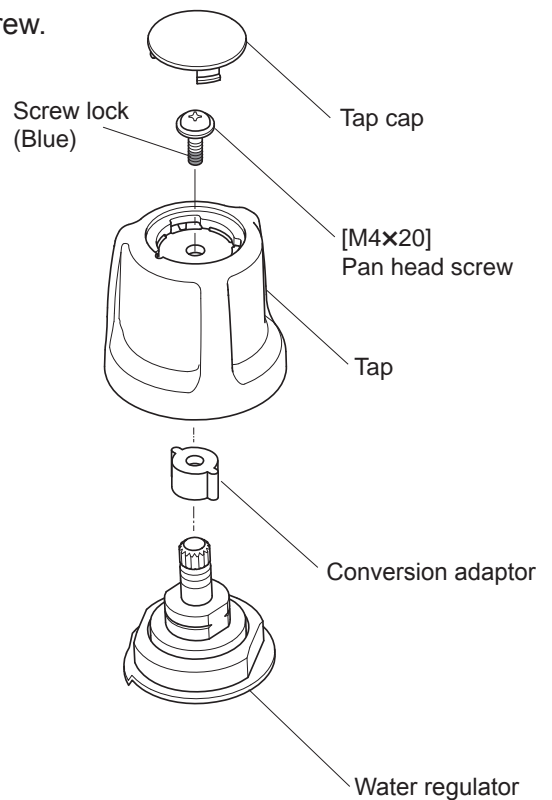
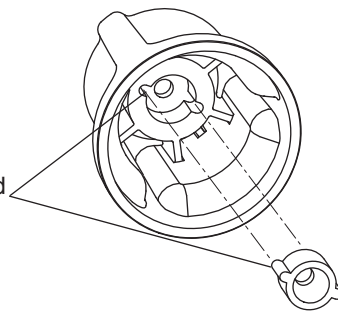
Example of peeling of the plated surface

## 1 Tap <Single tap type / Double tap type>

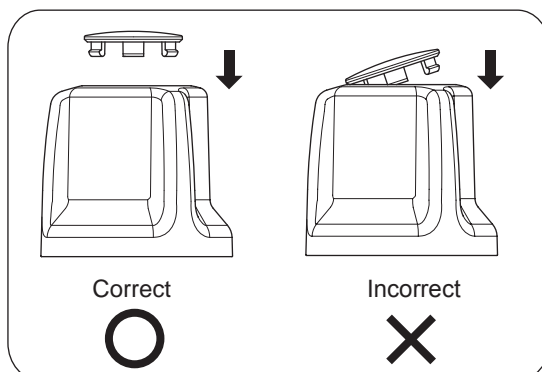
1. Attach the conversion adaptor to the water regulator.
  2. Attach the tap to the conversion adaptor and fix it with the screw.
- \*Pay attention to the parts positions.

M4×20, Pan head screw... 1

\*Fit in the dent of tap and conversion adaptor



3. Place the tap cap on the tap top.
- \*make sure the cap is placed straight onto the tap top.

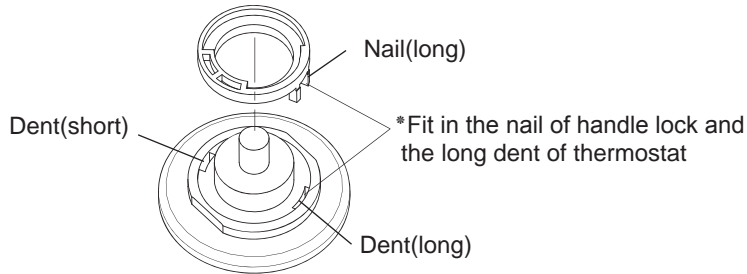


<Double tap type>

## 2 Temperature control knob

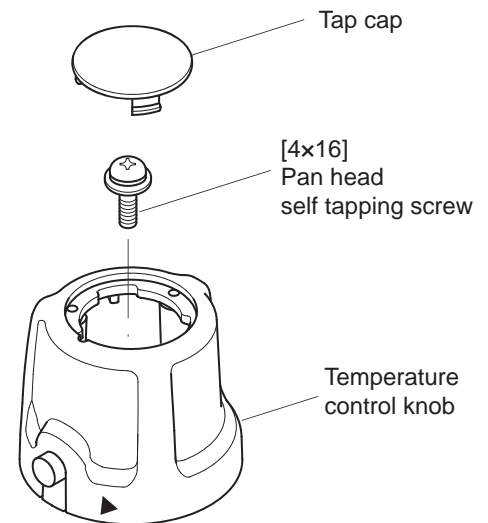
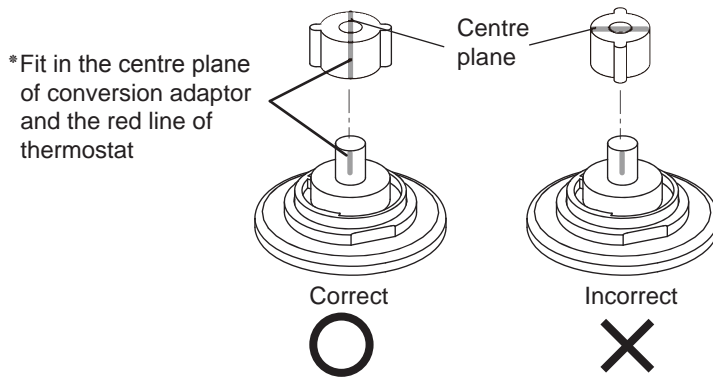
1. Attach the handle lock to the thermostat.

\*Pay attention to the parts mounting directions.



2. Attach the conversion adaptor to the thermostat.

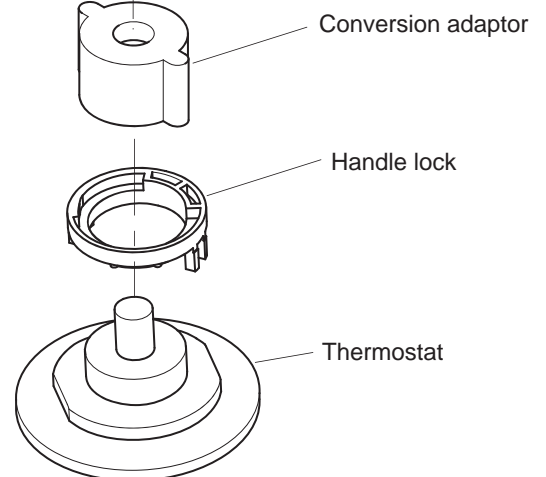
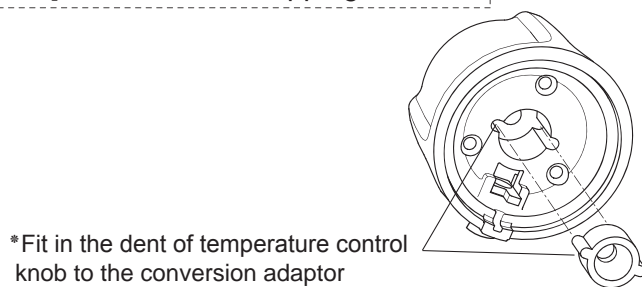
\*Pay attention to the parts mounting directions.



3. Attach the temperature control knob to the conversion adaptor, and fix it with the screw.

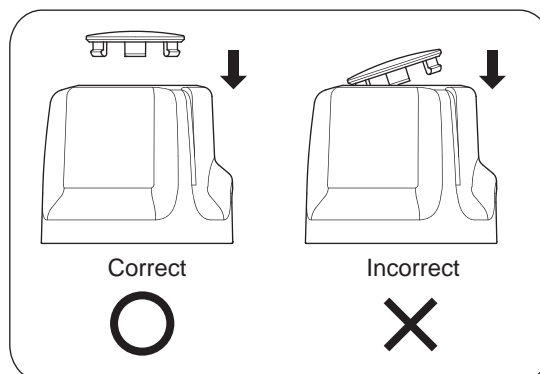
\*Pay attention to the parts mounting directions.

[4x16], Pan head self tapping screw...1



4. Place the cap on the temperature control knob.

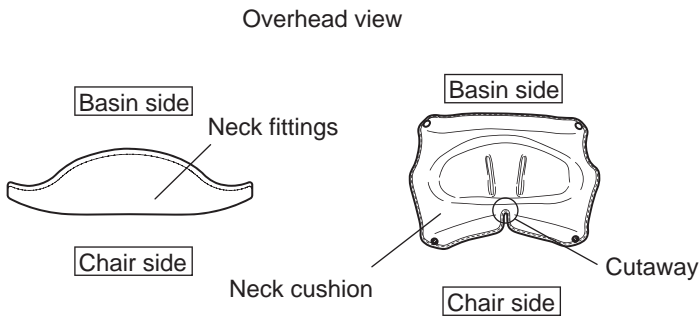
\*Make sure the cap is placed straight onto the top of the temperature control knob.



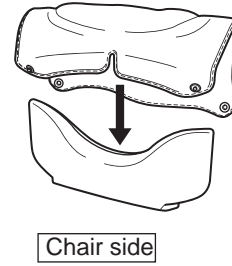
# 11 Neck cushion

## Attach the neck cushion

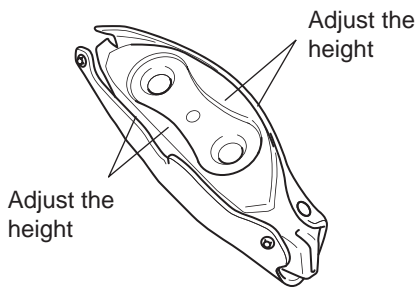
1. Check the proper direction of the neck cushion and the neck fittings.



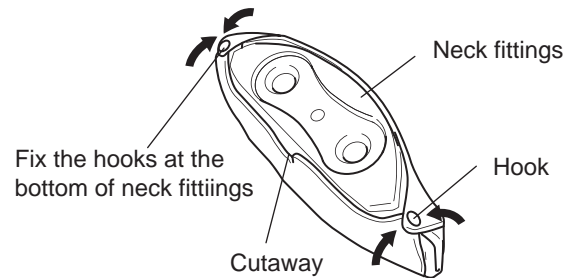
2. Hold the neck cushion, and fit it to the centre of neck fittings.



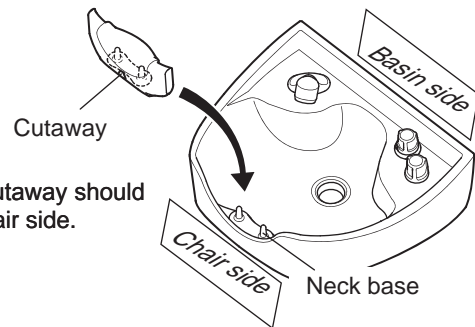
3. Adjust the height of neckrest fittings and right and left edges of neck cushion. (both sides)



4. While pulling the neck cushion, secure it with the hooks (2 locations). As shown in the below illustration, secure the hooks at the bottom of neck fittings.



5. Insert and secure the neck fittings to the neck base. Pay attention to the proper direction of neck fittings. The side of neck cushion with cutaway to be faced to the **chair side**.

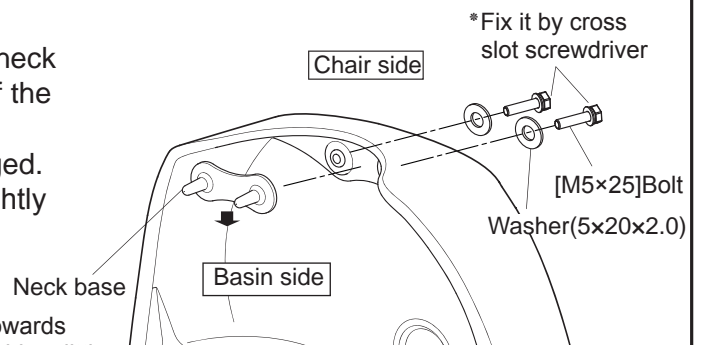


\*This side with cutaway should come to the chair side.

### ⚠ Caution

When the neck fittings are put on the neck base, check if the neck cushion does not touch the basin, and if the neck fittings can go into the neck base smoothly. Otherwise the neck cushion might be come damaged. In case of such problems, move the neck base slightly towards the basin (away from the chair side) are re-fix the neck base so that the neck cushion does not touch the basin.

\*Attach it towards the basin side a little.



# 12 Testing the unit

## 1 Test water flow

### ⚠ Caution

Always test the water flow to prevent accidents during use.

\*Test the water flow and inspect the following items. The hot water may be slightly tainted at the start of the water flow test, however, this does not indicate any problem.

1. Is there no water leaking from the pipe joints?
2. Are the hot water supply and water supply pressures in the appropriate range? (See page 5)  
If the pressures are not in this range, see "How to adjust faulty temperature regulation" below this page.
3. Can temperature be controlled properly?  
If not, see page 24, 25 and set up the temperature control handle
4. Check that the shower outlet flow is sufficient, by the following as a guide for flow rate.  
Shower outlet flow rate: <Single tap type> Approximately 16L/min  
<Double tap type> Approximately 15L/min

## 2 Cleaning

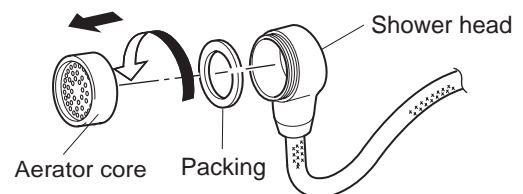
- After the hot water becomes clear during the water flow test, always clean the filter (within the stop cock) and shower head.

### ⚠ Caution

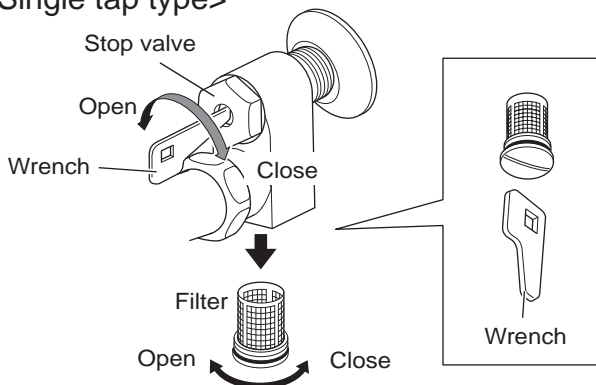
Failure to do so can result in insufficient flow rate and faulty temperature regulation. During the cleaning, ensure not to damage or lose the packings.

Remove any trapped dirt and clean the shower head

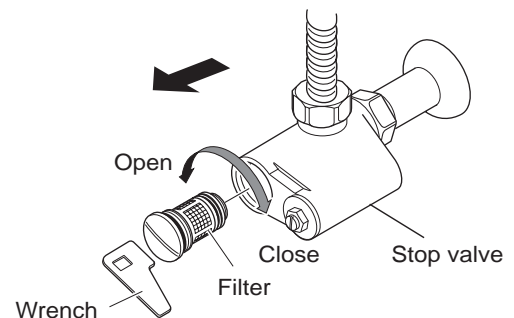
Remove the aerator core and clean inside



<Single tap type>



<Double tap type>



## How to adjust faulty temperature regulation

### ○Contents of defect

1. Temperature is unstable.
2. Hot water (high temperature) does not come out.
3. Water (low temperature) does not come out.

### ○Presumed cause

1. The difference between water supply and hot-water supply pressure is not in the appropriate range, or the pressure of hot water supply is higher than the pressure of water supply.  
[water supply  $\geq$  hot water supply (The difference should be in the range of 0.2MPa)]
2. Pressure of water supply and hot water supply is high  
[These two should be in the range between 0.1 and 0.4MPa (1~4kgf/cm<sup>2</sup>)]

### ○What to do

Connect a pressure reducing valve (not include) in order to adjust the pressure.  
(It is recommended that water supply pressure and hot water supply pressure are equal.)

### 3 Set up the temperature control handle

\* In case the water temperature does not match the initial setting

<Single tap type>

1. Turn the tap on anti-clockwise at the maximum degree.

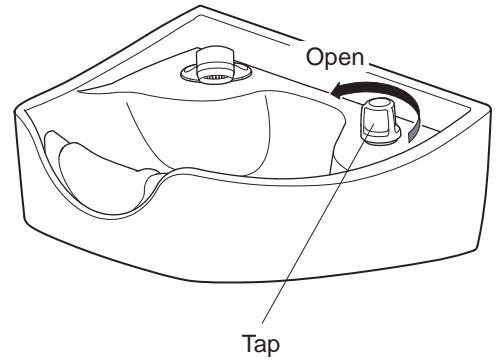
2. Turn the temperature control handle until the water temperature reaches approx. 40 °C, regardless its scale marks.

\* In order to produce hot water, turn the handle while pressing the lock button.

3. Remove the cap and screw from the temperature control handle, and take the handle out of the unit.

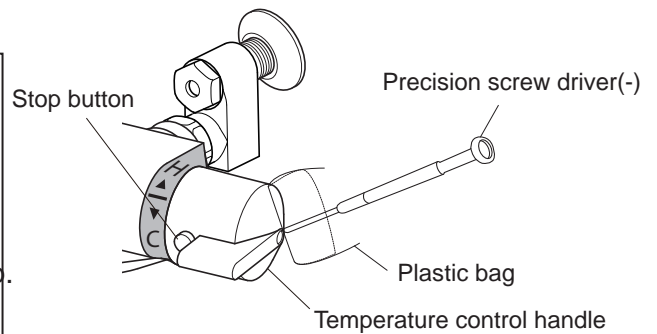
\* Do not turn the handle when taking it out.

\* If the bush comes out, re-attach it to the handle.



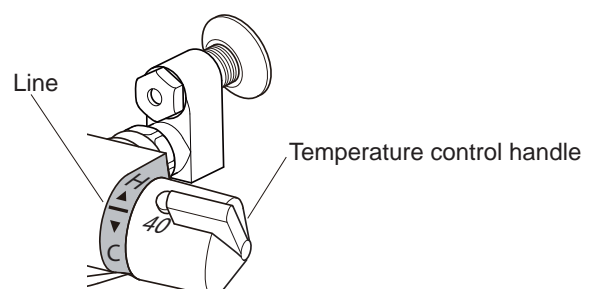
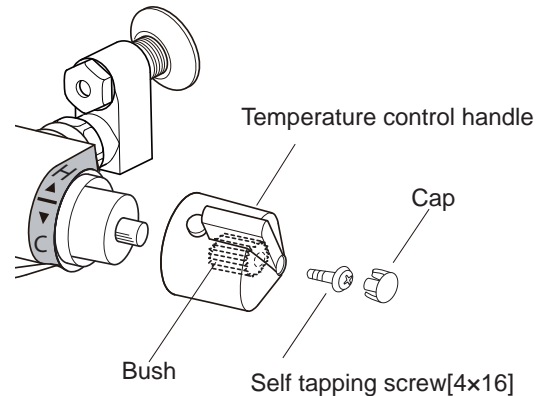
#### ⚠ Caution

If you use a precision screwdriver or other metallic tool to remove the cap, cover the cap with a plastic bag beforehand. Make sure the tool does not scratch the coated surface of the temperature control handle and the cap. If the coated surface gets scratched, broken or peeled, contact your closest dealer. The damaged coated surface might cause injury while in use of the equipment.



4. Put back the temperature control handle to the unit, so that the scale mark of 40 on the handle matches to the line on the thermostat.

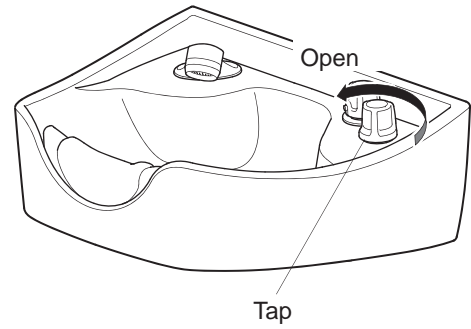
5. Check if the water temperature is approx. 40 °C.



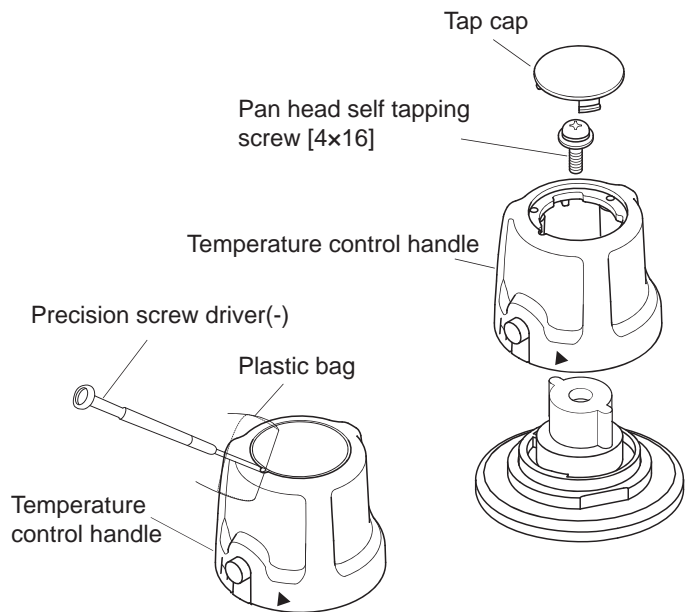


<Double tap type>

1. Turn the tap on anti-clockwise at the maximum degree.
2. Turn the temperature control handle up to the lock position, and measure the water temperature.
3. Remove the cap and screw from temperature control handle, and take the handle out of the unit.



**⚠ Caution**  
 If you use a precision screwdriver or other metallic tool to remove the cap, cover the cap with a plastic bag beforehand. Make sure the tool does not scratch the coated surface of the temperature control handle and the cap. If the coated surface gets scratched, broken or peeled, contact your closest dealer. The damaged coated surface might cause injury while in use of the equipment.

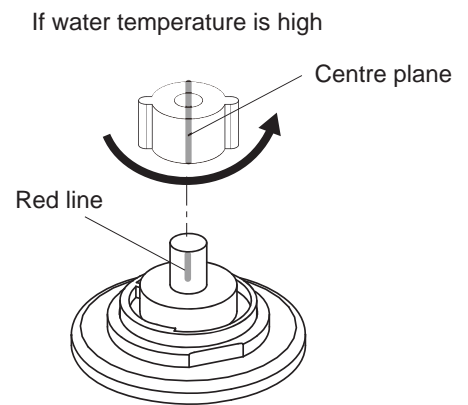


4. Adjust the position of the conversion adaptor

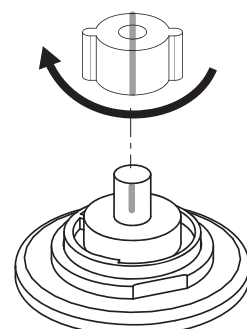
If the measured temperature was higher than 40°C  
 → Shift the conversion adaptor anti-clockwise, and fix it on to the thermostat.

If the measured temperature was lower than 40°C  
 → Shift the conversion adaptor clockwise, and fix it on to the thermostat.

**⚠ Caution**  
 When adjusting the conversion adaptor, adjust in small increments, otherwise it can result in a high flow of hot water, which may result in burns or scalds



If water temperature is low



5. Attach the temperature control handle to the conversion adaptor, and check if the water temperature is approximately 40°C at the lock position.

If it is not approximately 40°C  
 → Repeat "4."

6. Fix the temperature control handle and the conversion adaptor with the screw.
7. Place the cap on the temperature control handle.

## After installation



### Caution

Be sure to execute the inspection without fail to prevent accidents during operation

### ■ Inspection

1. Check that there are no missing screws or other parts.
2. Check that there are no loose parts  
→ If any part is loose, check the bolts at the joints again.
3. Check that there are no cracks or contamination on the basin.
4. Check that there are no problems, such as flaws on the external appearance.
5. Check that there are no water leakage on the floor.
6. Check that there are no big gaps between basin and wall.
7. Put drops of water on the shower head holder and neck base to check that there are no water leaks.  
→ If water leaks are observed :
  - Check that the screw and washer are tightened
  - Check that the packing is attached.
8. Check that the neck cushion does not touch the basin and can be inserted smoothly, when putting the neck fittings on the neck base.  
→ If such problems are observed, adjust the position of the neck base. (See page 22)

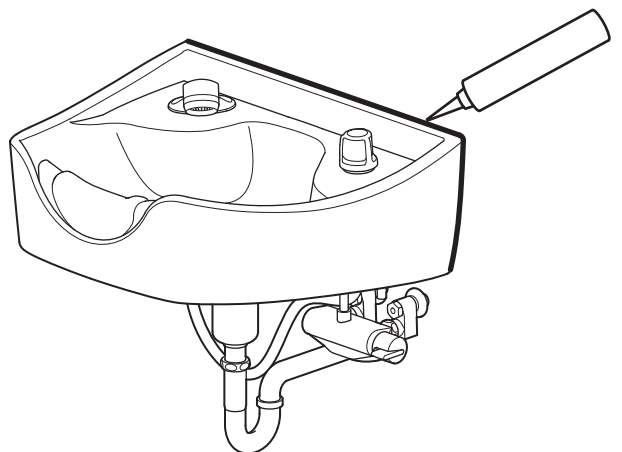
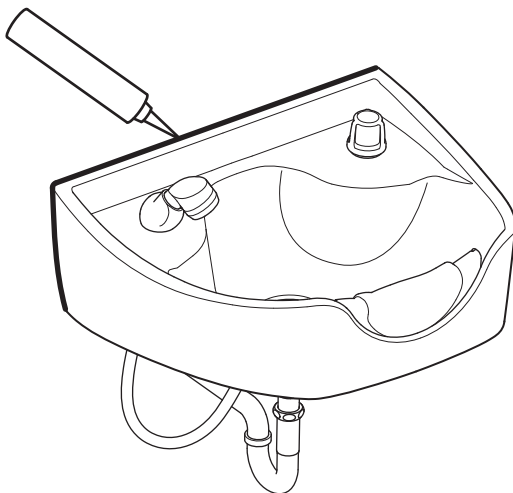
## 13 Sealing

- Seal the gaps between the basin and the wall. (The width of sealing : approximately 5mm)



### Caution

Ensure to seal the gap between the basin and the wall completely.  
Check that there are no cutaway found in the sealing.  
If the sealing is not complete, the wall might become corroded by penetrating water.







TAKARA BELMONT CORPORATION

1-1, 2-Chome, Higashi-shinsaibashi, Chuo-ku, Osaka, Japan

TEL : (06) 6213-5945

FAX : (06) 6212-3680

Printed in Japan

1A0LJ1A0