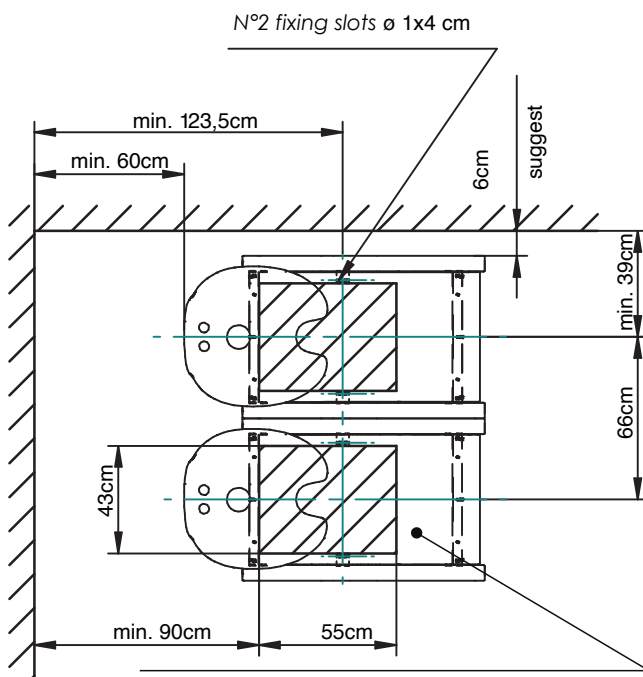
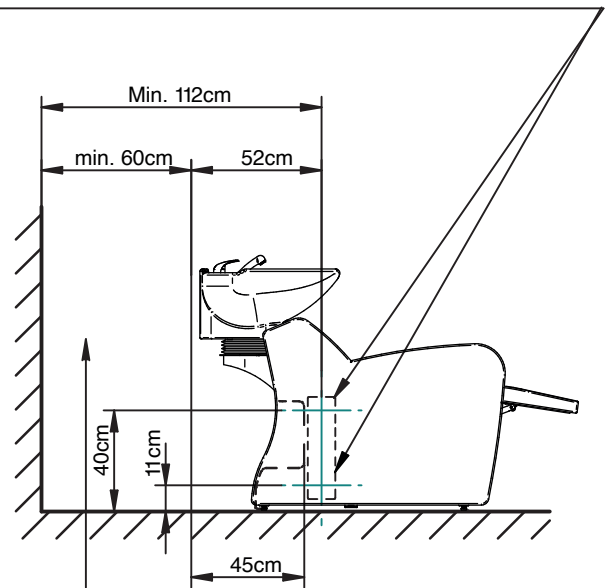


INSTALLATION PLAN

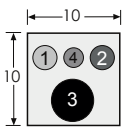


predisposition area 55x43 cm water supply and electrical equipment

Predisposition drain/ main power in wall ( 11x41 cm )



Disposition water supply and electrical equipment



1 = Warm 3/8"  
2 = Cold 3/8"

3 = Drain ø 4 cm  
4 = Electric cables outlet

cable 3x1 (60 cm)  
220/240 V - 50 Hz/60 Hz



WARNING !

All the dimensions are in cm. The wash unit should be fixed to the floor ( minimum diameter of 8mm dowels ) , as specified by modern international safety regulations. It is necessary to provide easy access to the power supply to provide for a possible detachment in case of need. The producer will not accept any responsibility for eventual damage to objects and/or people caused by incorrect installation of the plumbing and electric system.