

EN

jobst

INSTALLATION INSTRUCTIONS

# Contura Swing PLUS / Contura Mono PLUS

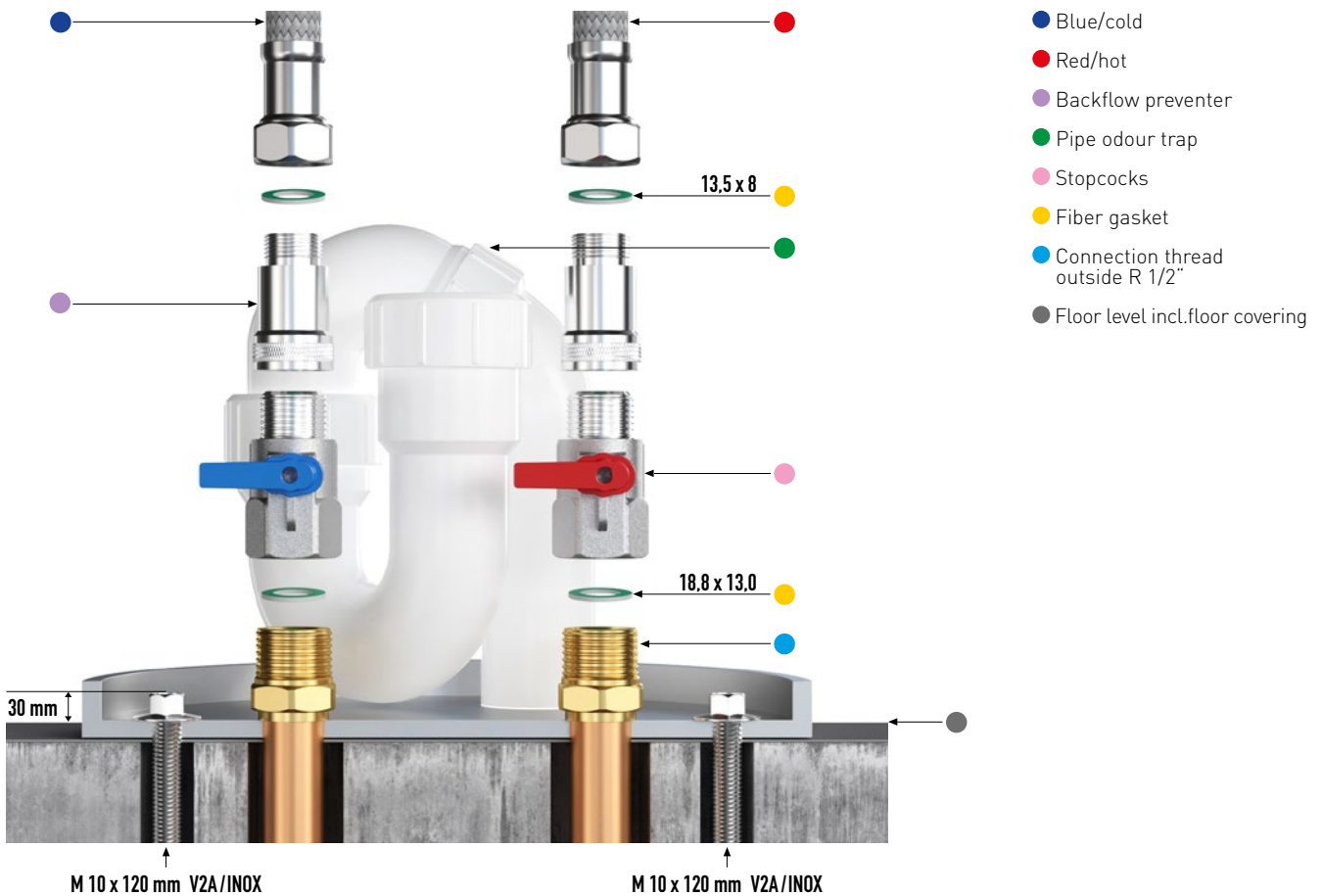
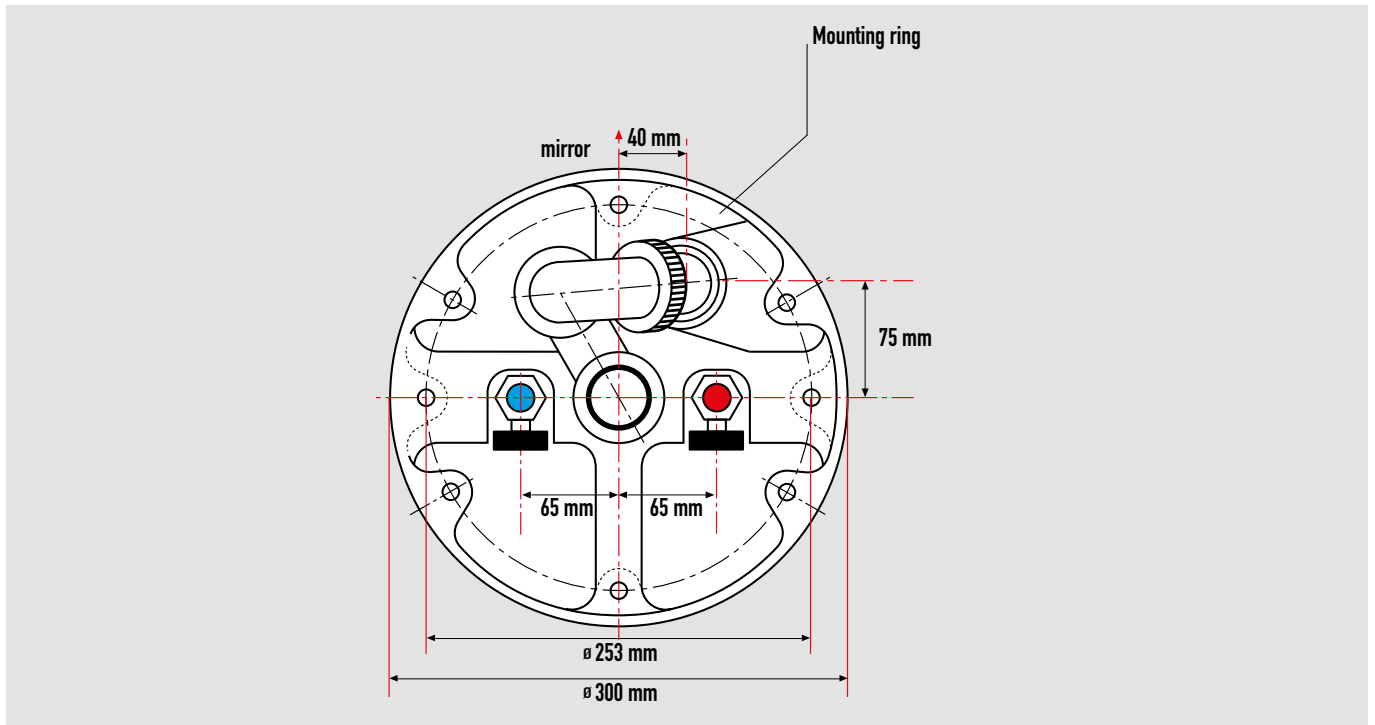
Floor mounting

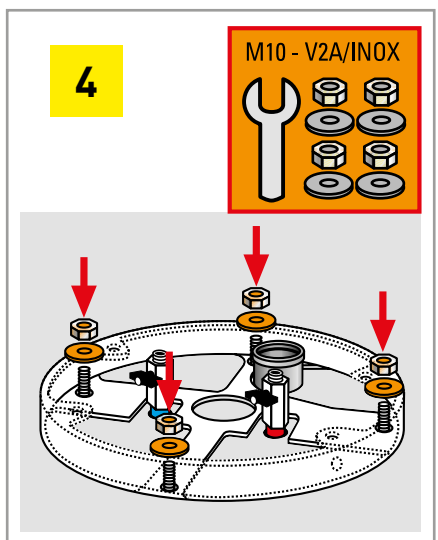
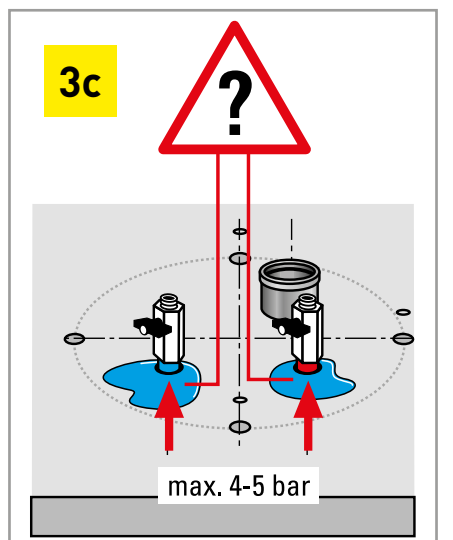
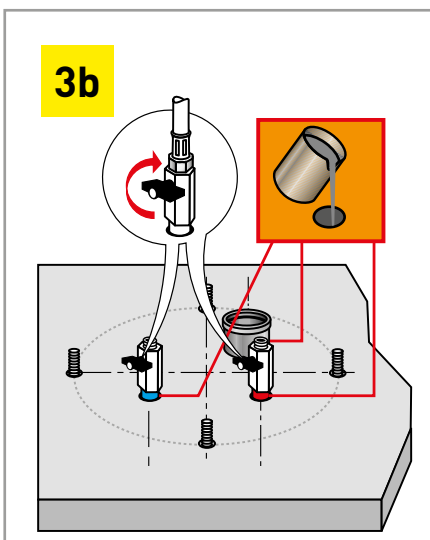
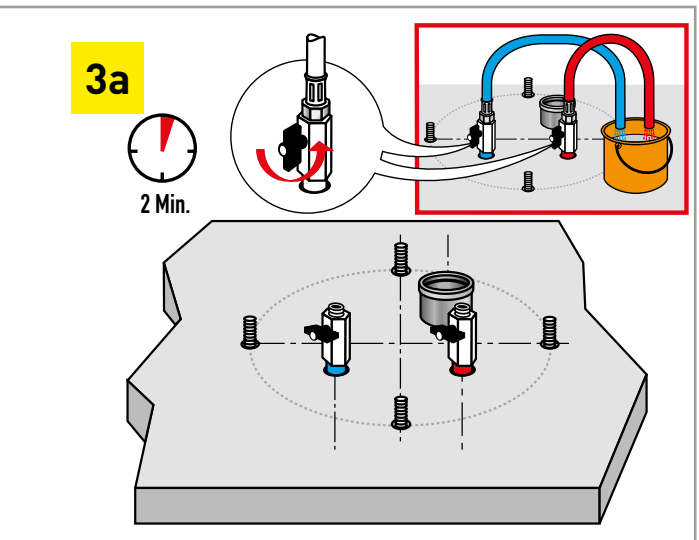
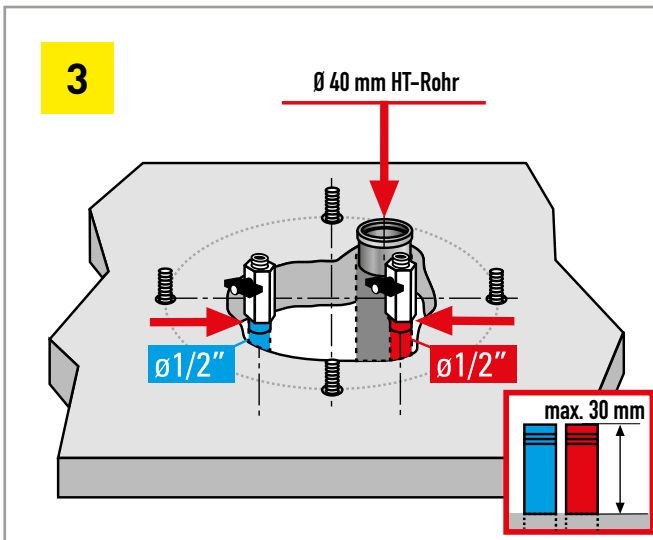
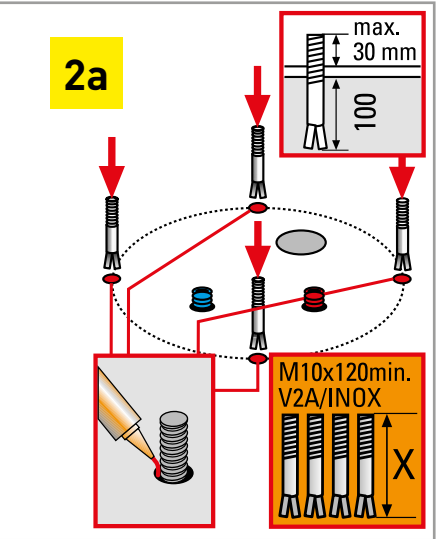
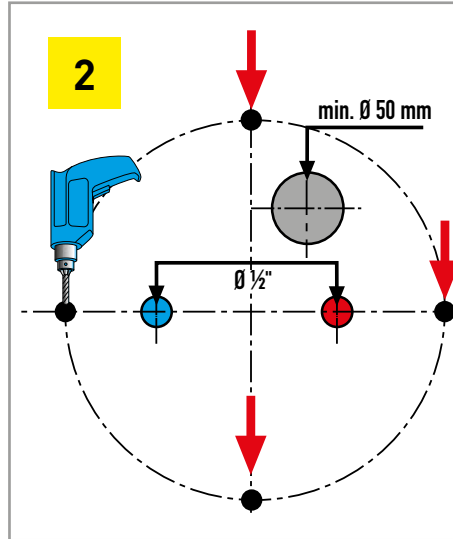
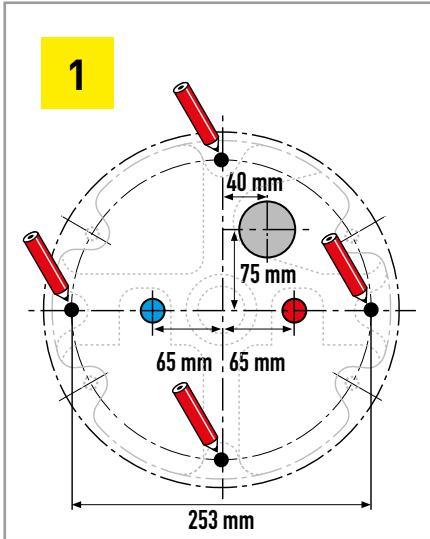
TECHNIK UND DESIGN  
IM SALON



# INSTALLATION INSTRUCTIONS FOR THE PLUMBER

## Contura Swing PLUS / Contura Mono PLUS





Pressure test the system with 8 bar. Set water pressure to 3 – 5 bar. Once the installation work is complete, be sure to flush the water pipe system. In the case where several systems are to be installed, a **central stopcock** is required, which must be easily accessible from the salon. **The installation instructions describe the process of installing one system only. Should several systems be installed, the pipe cross section must be increased correspondingly.**

**Important:** If the water pressure exceeds 5 bar, same it must be regulated by a pressure reducing valve. Since a pressure reducing valve is used for water boilers, it may also be used for the general water supply.

In **order to avoid fluctuations of temperature**, the quantity of water and water pressure for hot **and** cold water must be identical.

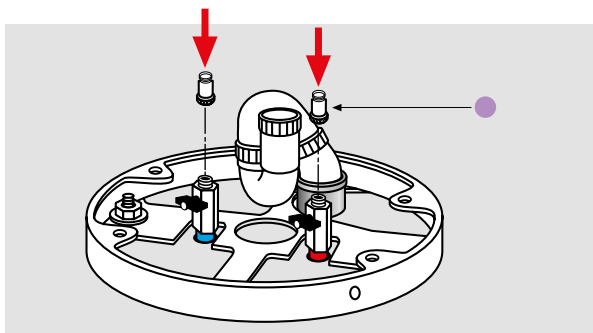
Temperature: maximum **70 °C** (hot water inlet)

**Information for the owner:**

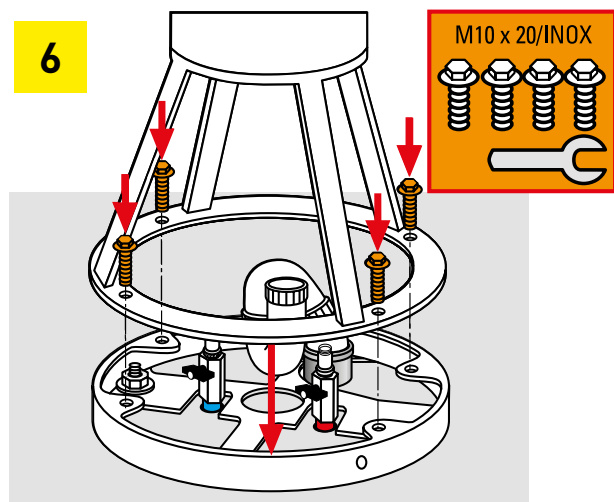
Everything covered up to this point is to be installed and tested by the plumber, who is also responsible for any guarantee in this regard. The plumber alone shall be liable for any malfunctions or problems. The manufacturer assumes no liability for any such tasks and performances.

# INSTALLATION INSTRUCTIONS FOR THE FIXTURE INSTALLER

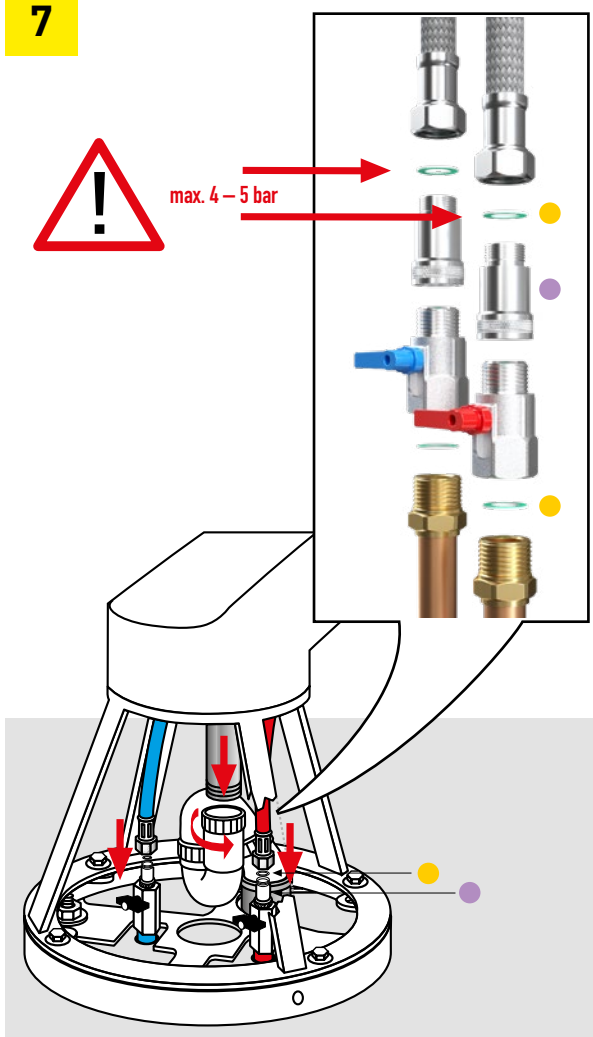
5



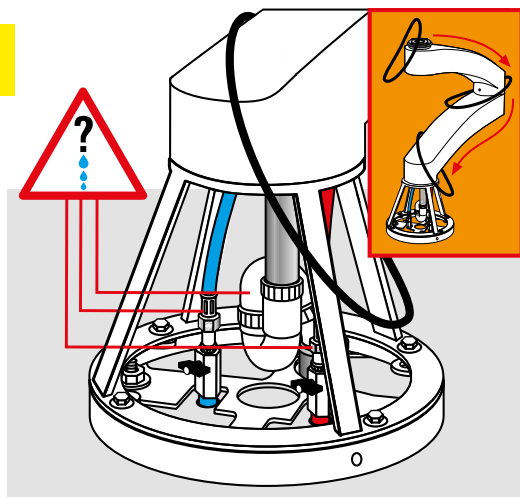
6



7

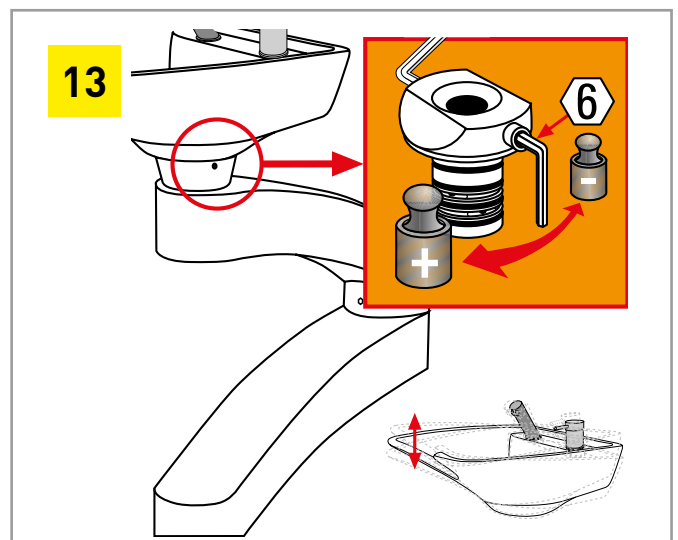
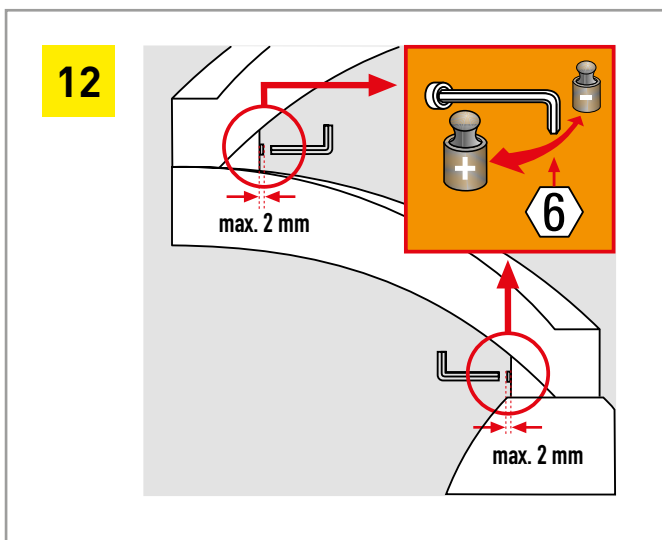
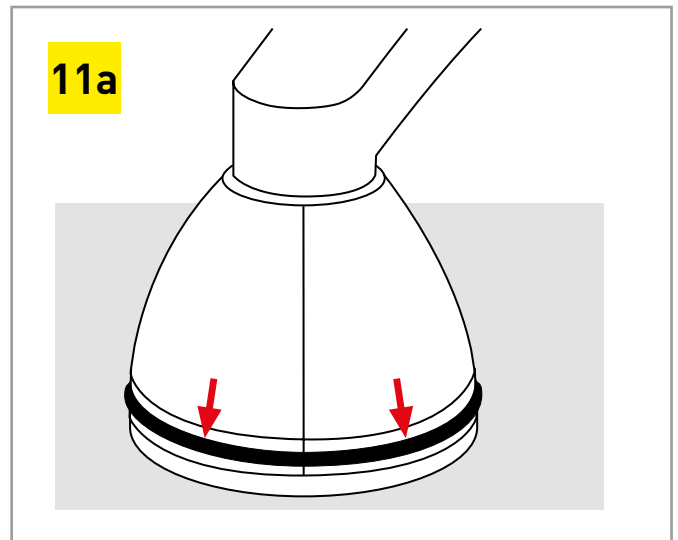
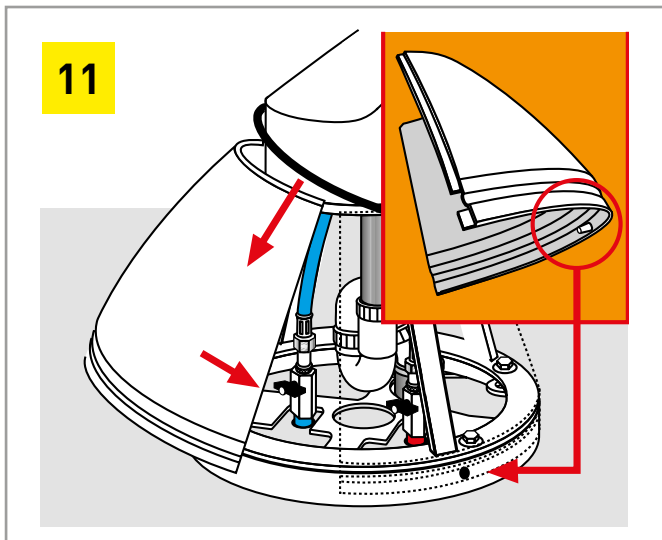
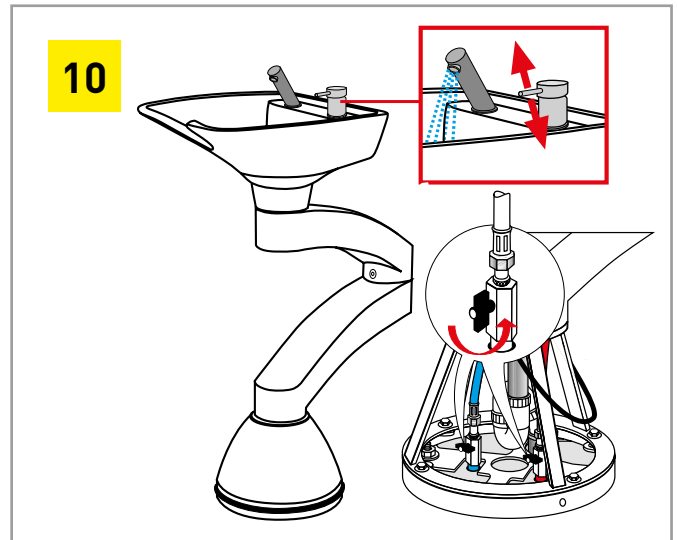
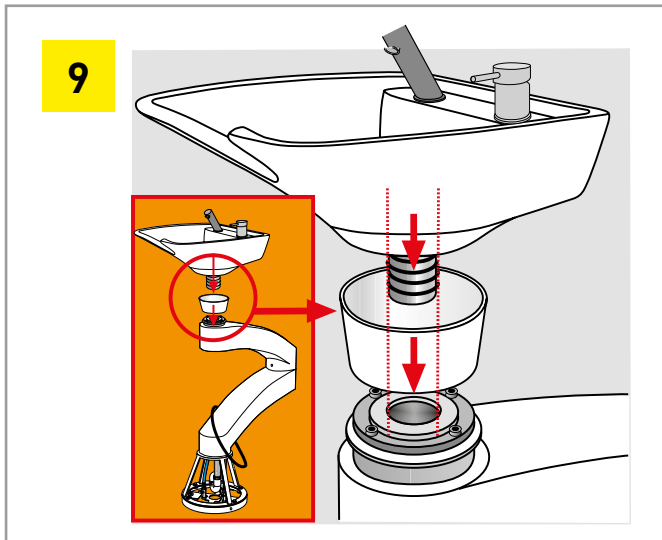


8



● Fiber gasket

● Backflow preventer



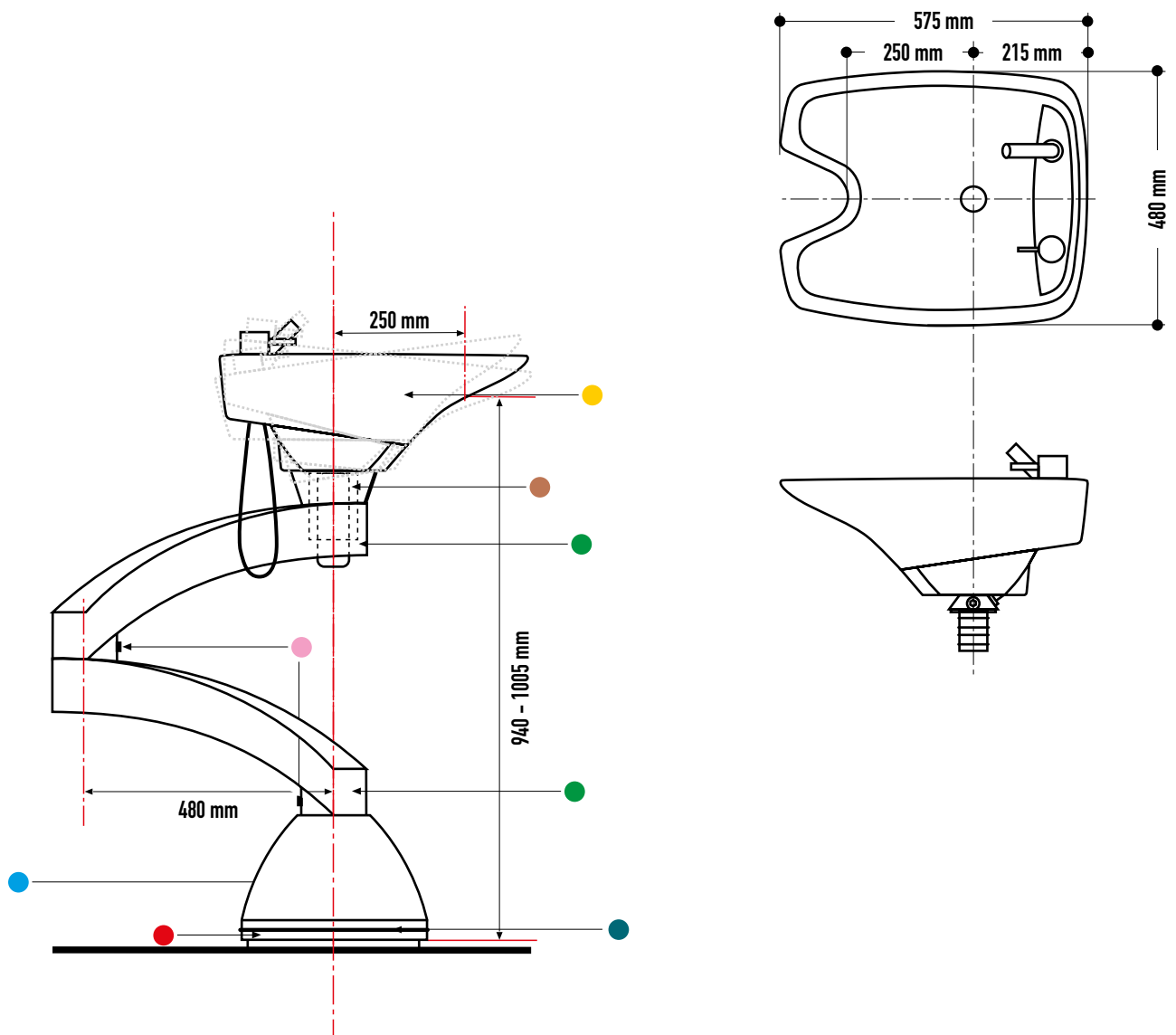
**Check the entire system again for functionality and correct installation.** Instruct the operating personnel regarding the device and its function.

**Information for the owner:**

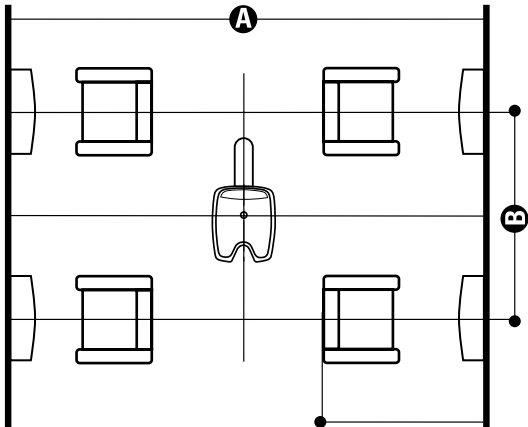
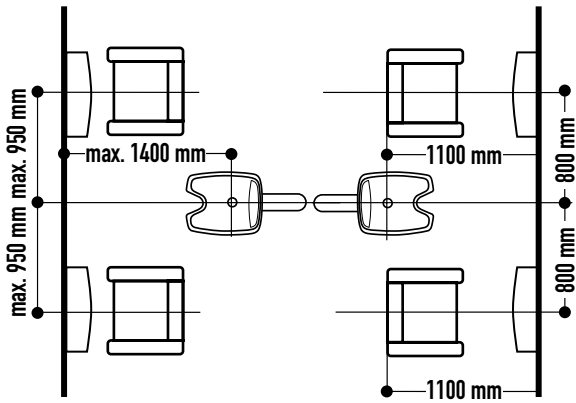
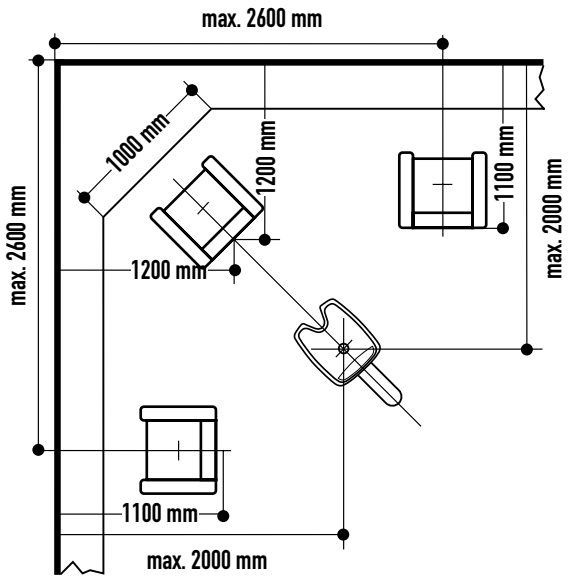
The fixture installer shall be liable for the installation work. The manufacturer of the system assumes no liability for any such tasks and performances.

**Shut stopcocks after the end of the work!**

# Contura Swing PLUS



- Wash basin with mixing battery
- Covering bush
- Tilting arm
- Hinge brake
- Plastic basin
- Covering rubber ring
- Serial number



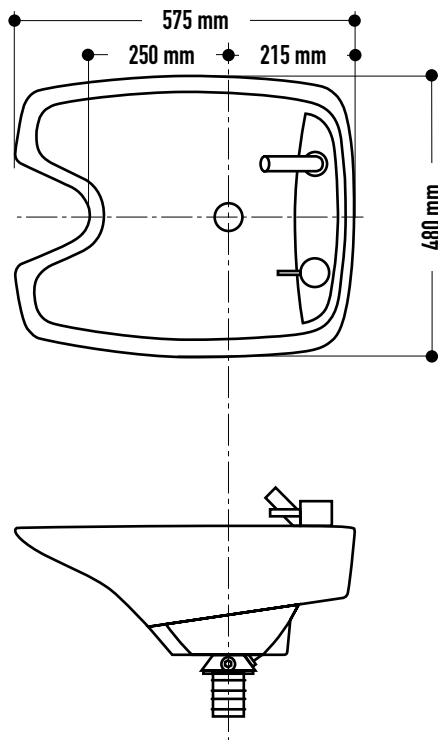
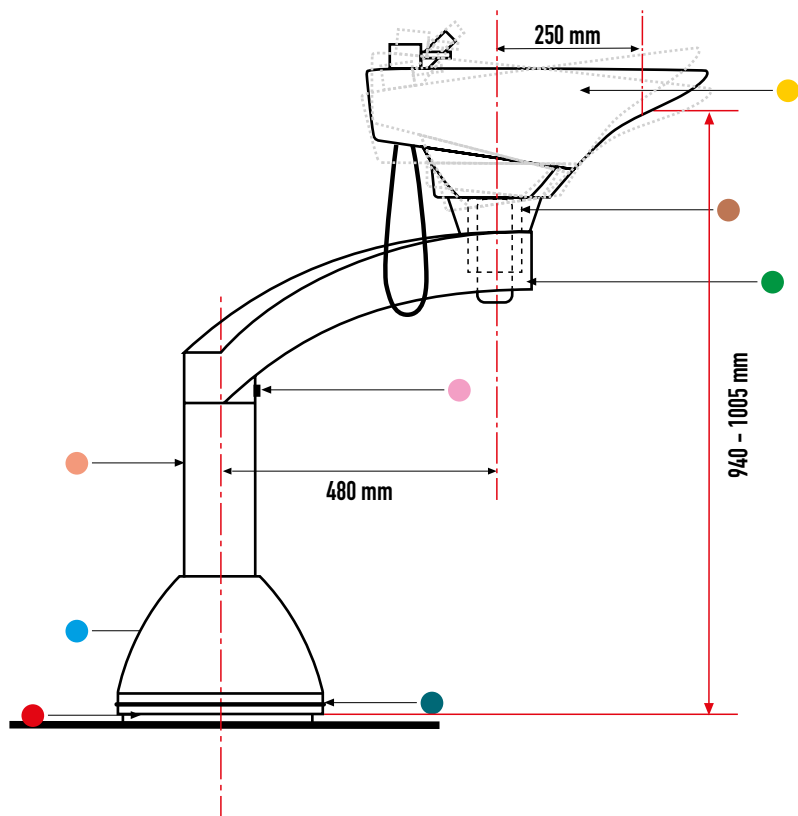
**Examples for area organisation.**

Technical changes and colour deviations reserved. All dimensions are approximate values and are indicated in mm. They shall not be deemed legally binding specifications.

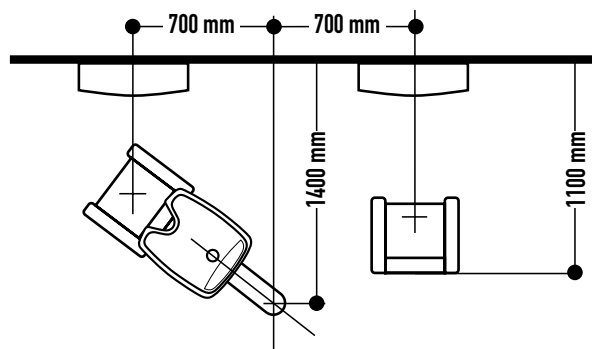
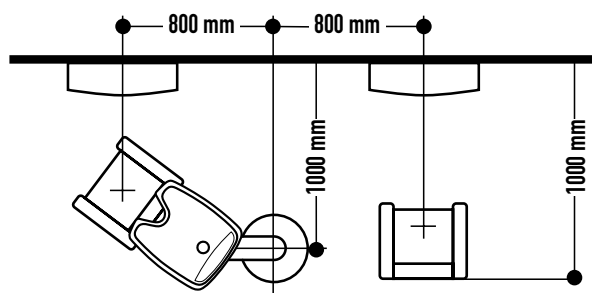
A	B
4000 mm max.	1200 mm max.
3800 mm	1400 mm.
3600 mm	1600 mm



# Contura Mono PLUS



- Wash basin with mixing battery
- Covering bush
- Tilting arm
- Hinge brake
- Column
- Plastic basin
- Covering rubber ring
- Serial number



## Examples for area distribution. Chairs must be swivelable.

Technical changes and colour deviations reserved. All dimensions are approximate values and are indicated in mm. They shall not be deemed legally binding specifications.

**FRITZ JOBST E.K.**  
**TECHNISCHE WERKSTÄTTEN**

Albert-Einstein-Str. 4  
73529 Schwäbisch Gmünd  
Telefon: +49 71 71 / 8 20 04  
Telefax: +49 71 71 / 8 20 26  
E-Mail: [info@jobst-salon.de](mailto:info@jobst-salon.de)

[www.jobst-salon.de](http://www.jobst-salon.de)