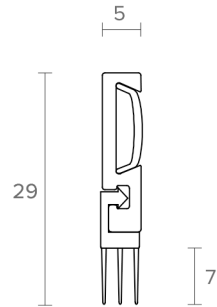


Tools



Includes:  
1 x NOR855 seal  
1 x insert  
1 x screw cover cap  
cross head screws

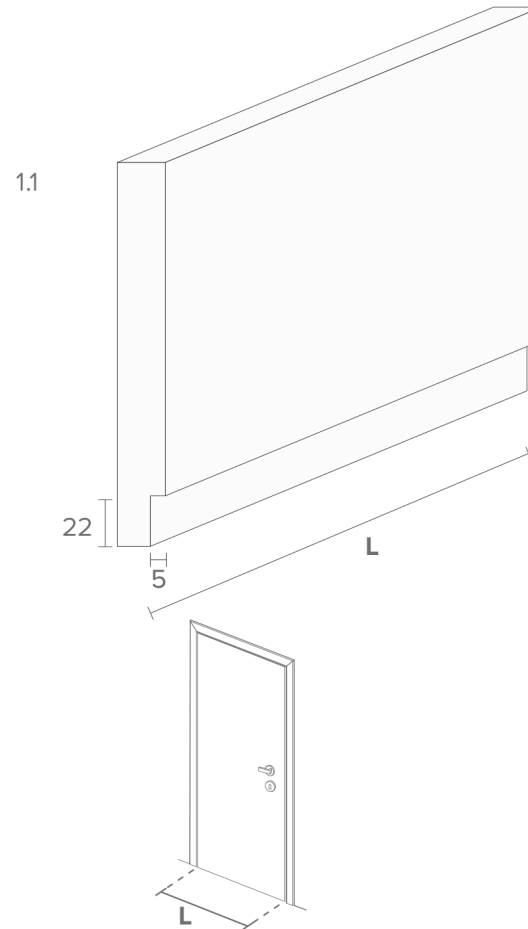
All dimensions in mm



(A) \* Cut back table

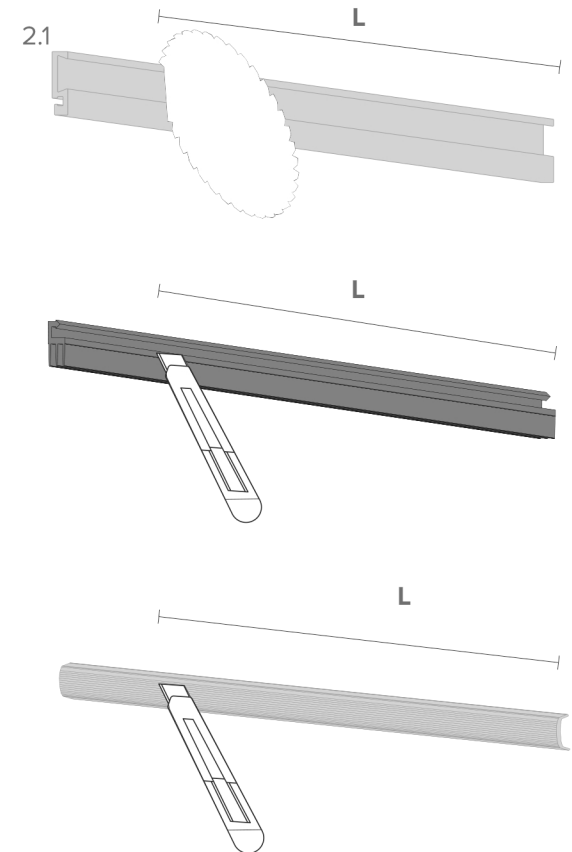
Length (mm)	CODE
1000mm	NOR855-1000
1500mm	NOR855-1500
2100mm	NOR855-2100

**1**



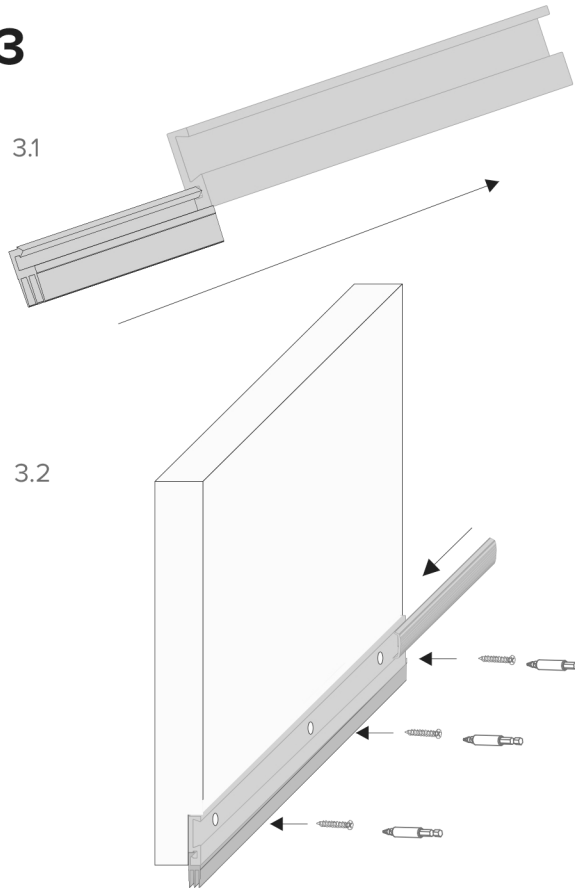
**1.1** Remove the door from the hinges and lay on its side then restrain firmly. route a groove 22mm x 5mm deep the full length of the door (L)

**2**



**2.1** Measure the full width of the door (L) and cut aluminium holder to required length, file off any rough edges. Cut the rubber insert and cover cap to the same size.

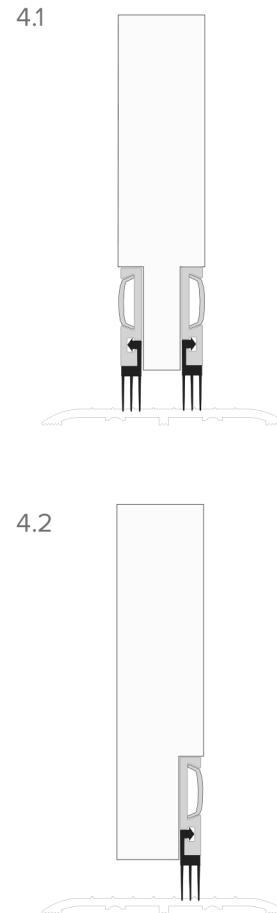
## 3



**3.1** Insert the rubber seal into the holder.

**3.2** Screw the holder into the groove using the screws provided and insert the screw cover cap.

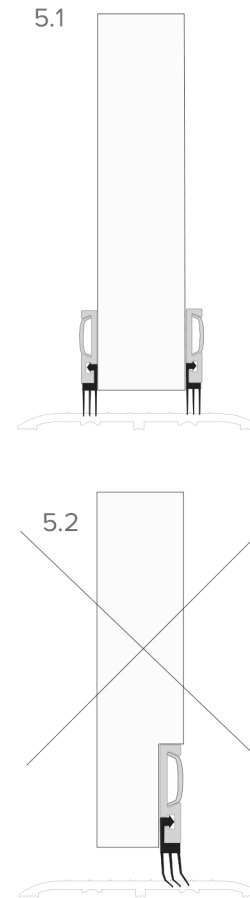
## 4



**4.1** The NOR855 can be fitted to both sides of the door.

**4.2** Seal should touch the floor. When correctly set the seal should just grip a 90gms sheet of paper allowing to remove without tearing the paper.

## 5



**5.1** The NOR855 can also be surface mounted.

NOTE: If surface mounted allow space for the door stops when measuring and cutting the seal.

**5.2** The seal must not impede the opening and closing of the