

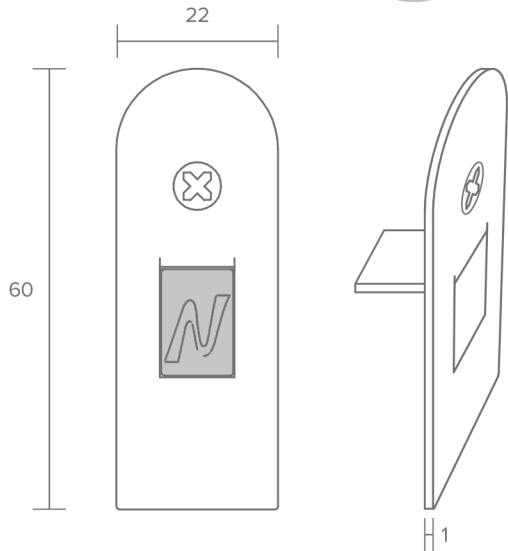
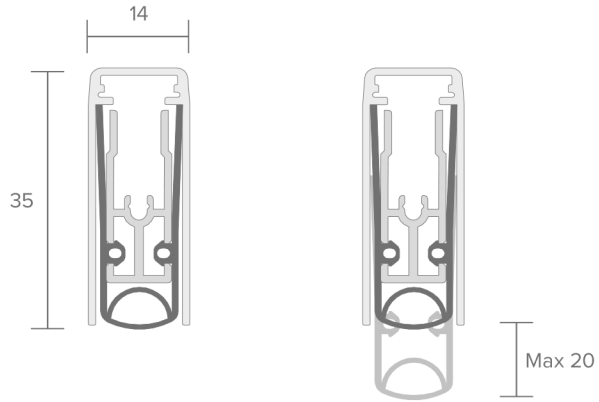


Tools

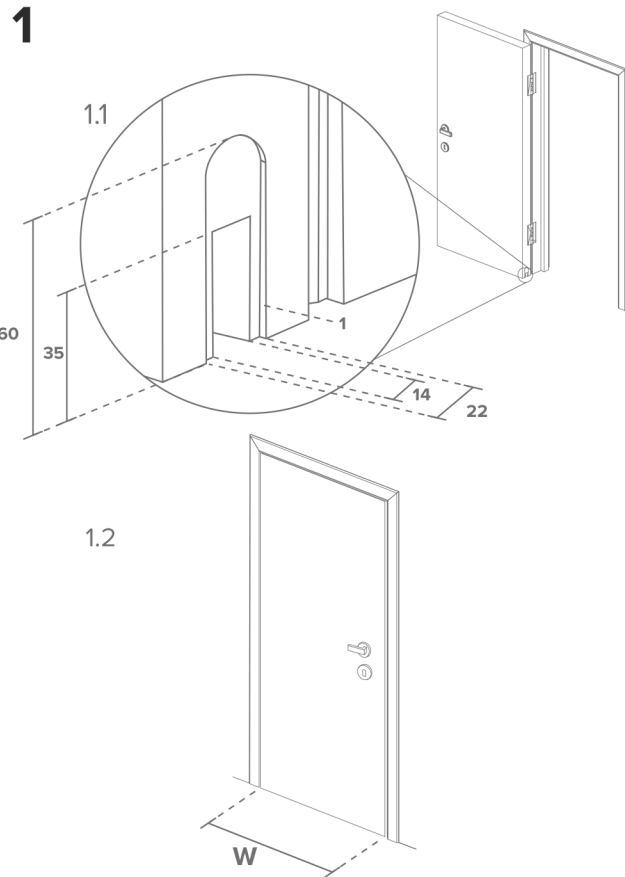


Included:
1 x NOR810® Automatic drop seal
2 x End caps
2 x Fixing screws
1 x Black plastic distance piece

All dimensions in mm

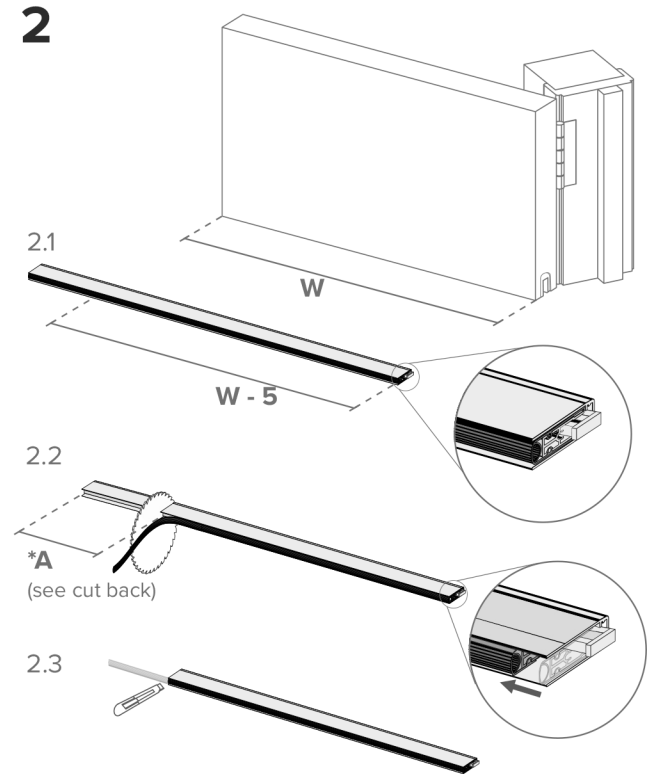


*A = Seal cut back: max. See product label



1.1 If installed, remove door from hinges lay on its side and restrain firmly. Using a router machine mortise a 35 x 14mm groove the full width of the bottom of the door as per diagram. Machine mortice the end of the door for end cap as per diagram 1.1 with a depth of 1mm each side.

1.2 Measure width of door (W).

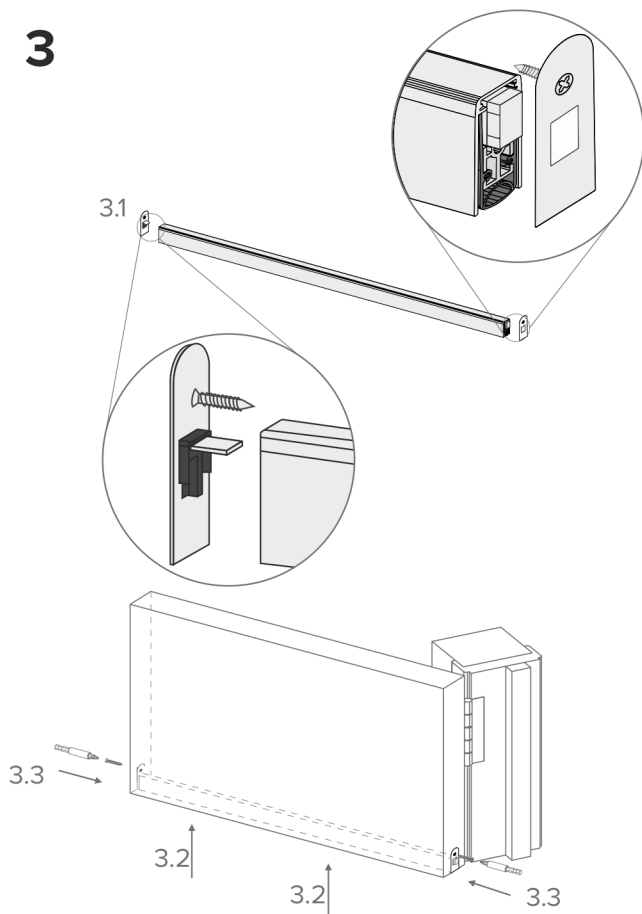


2.1 Measuring from the actuator end of the product, mark with a pencil the width of the door less 5mm (W-5).

2.2 Partially remove silicone gasket to cut seal at width (W-5). Before cut push internal profile towards closing stile and ensure to consider max cut back (*A).

2.3 Replace silicone gasket and cut to size of internal profile.

3



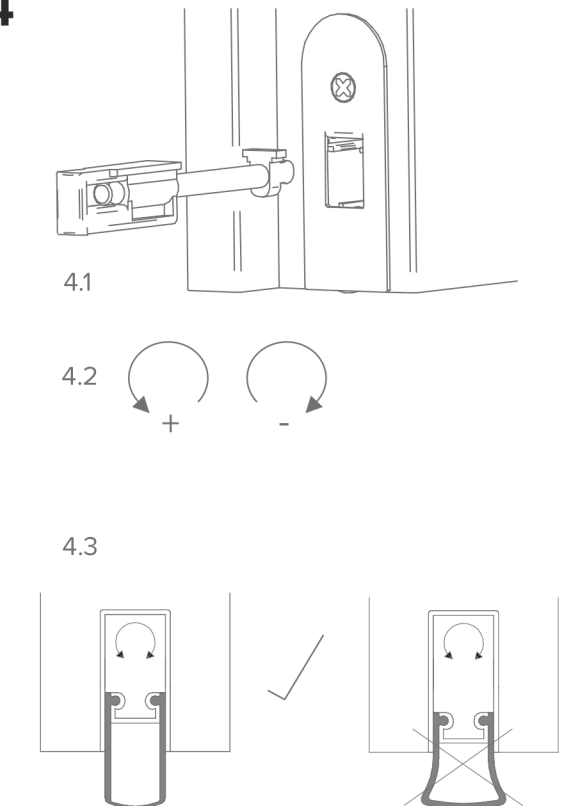
3.1 Ensure the black plastic distance piece is in place on the end plate.

3.2 Insert seal into bottom of door.

3.3 Screw into place using end plates and screws provided.* End plate with black plastic distance piece to fix to non-actuator end.

*Screws fixed using a standard phillips screwdriver

4

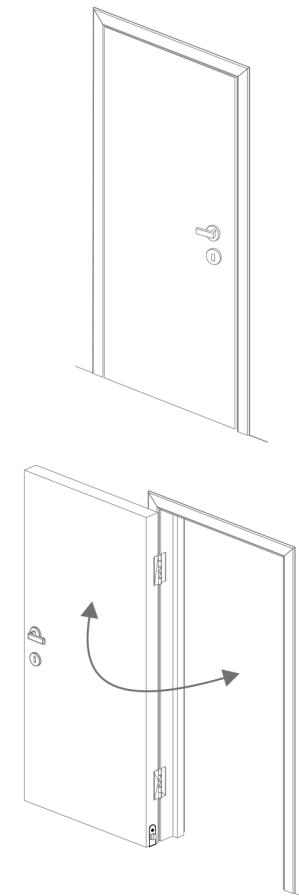


4.1 To adjust the seal remove the actuator.

4.2 Rotate actuator clockwise to reduce drop distance or anti-clockwise to increase drop distance then replace the actuator.

4.3 Seal should touch floor as per diagram. Ensure seal does not over-travel like shown.

5



5 Open and close door to test seal drop.

Repeat step 4 and test again if further adjustment required.

For further information, technical advice, CADs or copy fitting instructions please visit norsound.com